

ASSEMBLY INSTRUCTIONS
COASTER FINE FURNITURE



Fine Furniture for every stage of life

202091F(B1&B2)
Full Bed

ITEM: 202091F (B1&B2)



ASSEMBLY INSTRUCTIONS

ASSEMBLY TIPS:

1. Remove hardware from box and sort by size.
2. Please check to see that all hardware and parts are present prior to start of assembly.
3. Please follow attached instructions in the same sequence as numbered to assure fast & easy assembly.



WARNING!

1. Don't attempt to repair or modify parts that are broken or defective. Please contact the store immediately.
2. This product is for home use only and not intended for commercial establishments.

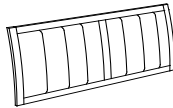
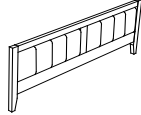

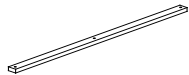

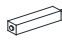


ASSEMBLY TIME


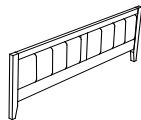

20 MINUTES

PARTS IDENTIFICATION

B1 (BOX 1)

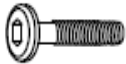




<p>A HEADBOARD PANEL</p>  <p>1PC</p>	<p>D FOOTBOARD</p>  <p>1PC</p>
<p>B RIGHT HEADBOARD LEG</p>  <p>1PC</p>	<p>E BED SLAT</p>  <p>4PCS</p>
<p>C LEFT HEADBOARD LEG</p>  <p>1PC</p>	<p>F BED SLAT SUPPORT WITH LEVELER</p>  <p>4PCS</p>

B2 (BOX 2)

<p>G BED RAIL</p>  <p>2PCS</p>	<p>D 202091F(B1) FROM BOX 1 FOOTBOARD</p>  <p>1PC</p>
<p>HB 2020911F(B1) FROM BOX 1 HEADBOARD COMPLETE</p>  <p>1PC</p>	

HARDWARE IDENTIFICATION

Z-B1 (BOX 1) - HARDWARE PACK IS LOCATED IN 202091F (B1)

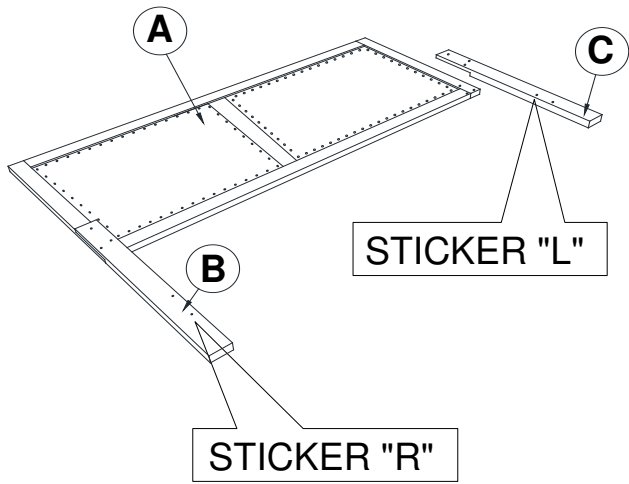
<p>1 BOLT (M6 x 35mm - BLK)</p>  <p>6PCS</p>	<p>4 ALLEN WRENCH (M4 x 60mm - BLK)</p>  <p>1PC</p>
<p>2 LOCK WASHER (1/4" - BLK)</p>  <p>6PCS</p>	<p>5 FLAT HEAD SCREW (M4 x 32mm - RBW)</p>  <p>8PCS</p>
<p>3 FLAT WASHER (1/4"ID x 13mm - BLK)</p>  <p>6PCS</p>	

NOTE:

Phillips head screw driver is required in the assembly process; however, manufacturer does not provide this item.

ASSEMBLY INSTRUCTIONS

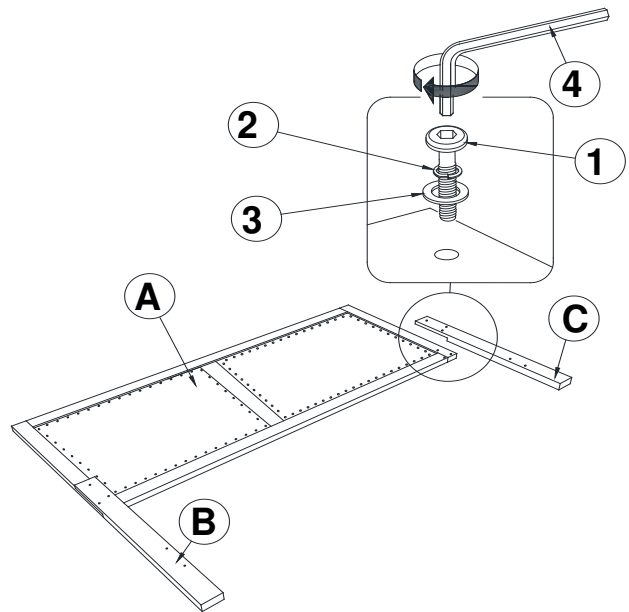
STEP 1



BACK VIEW

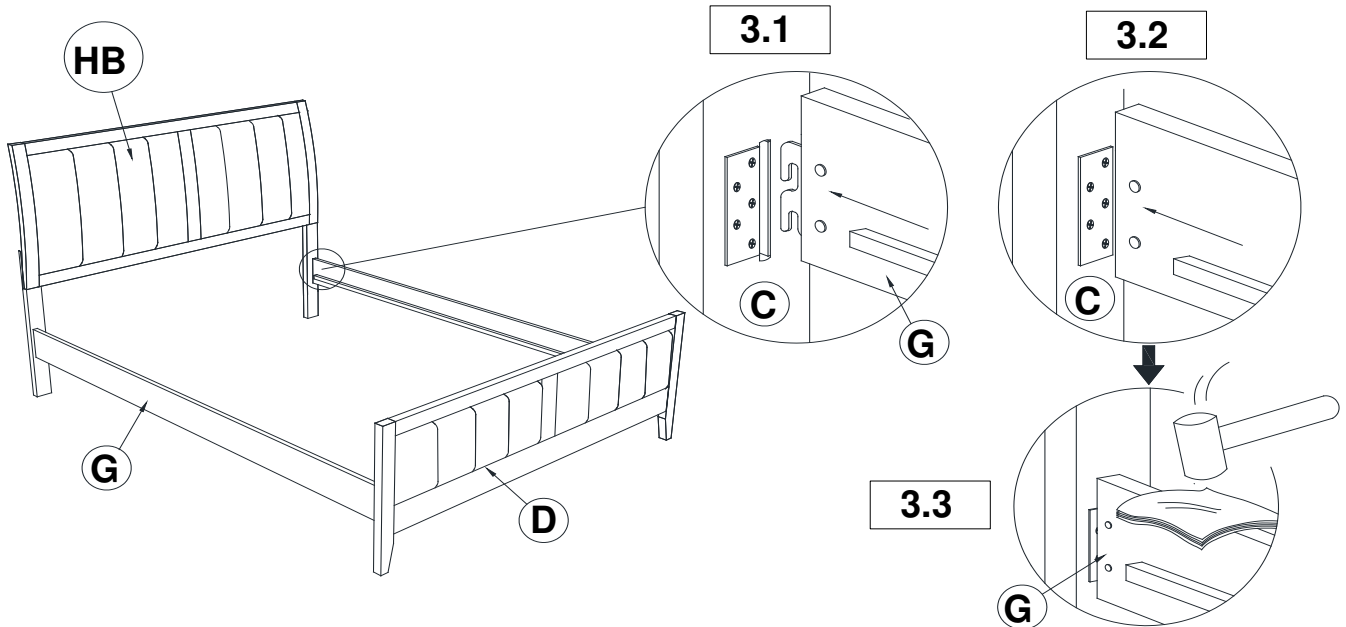
Note: Please take note of the marking sticker (L & R) on the headboard legs.

STEP 2



BACK VIEW

STEP 3

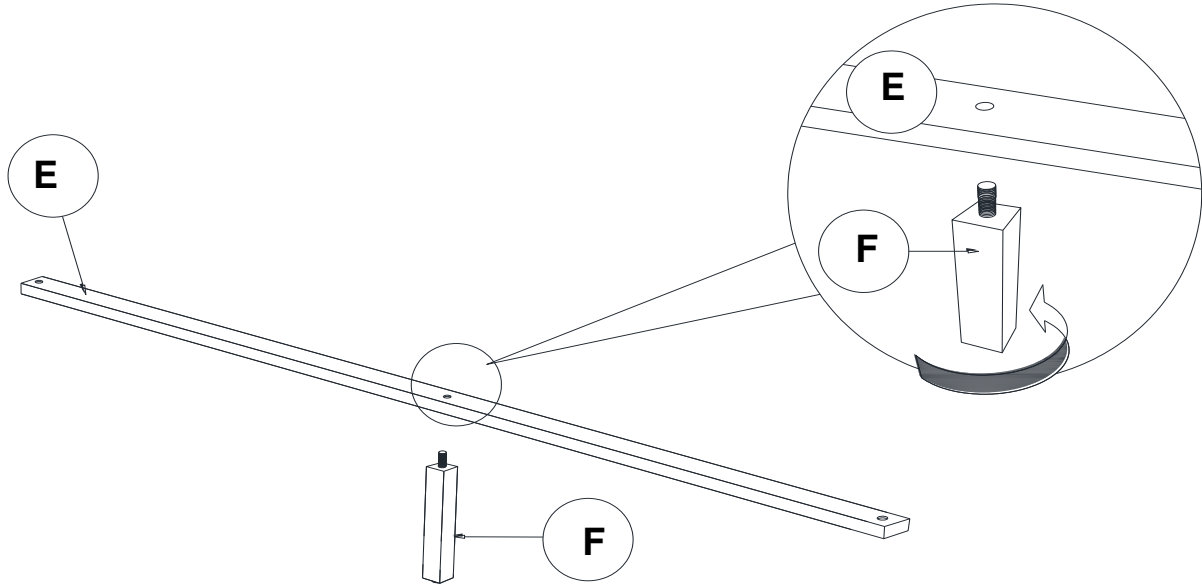


ITEM: **202091F (B1&B2)**

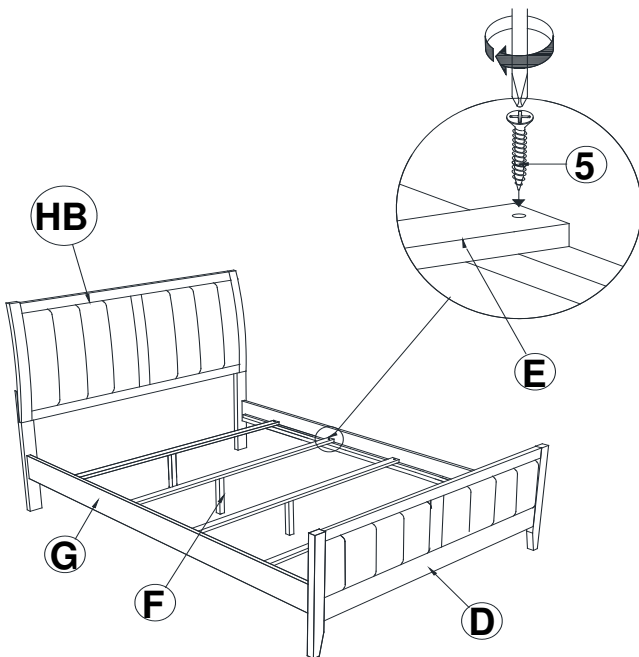


ASSEMBLY INSTRUCTIONS

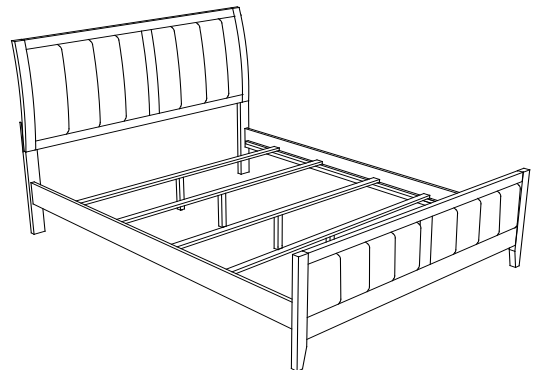
STEP 4



STEP 5



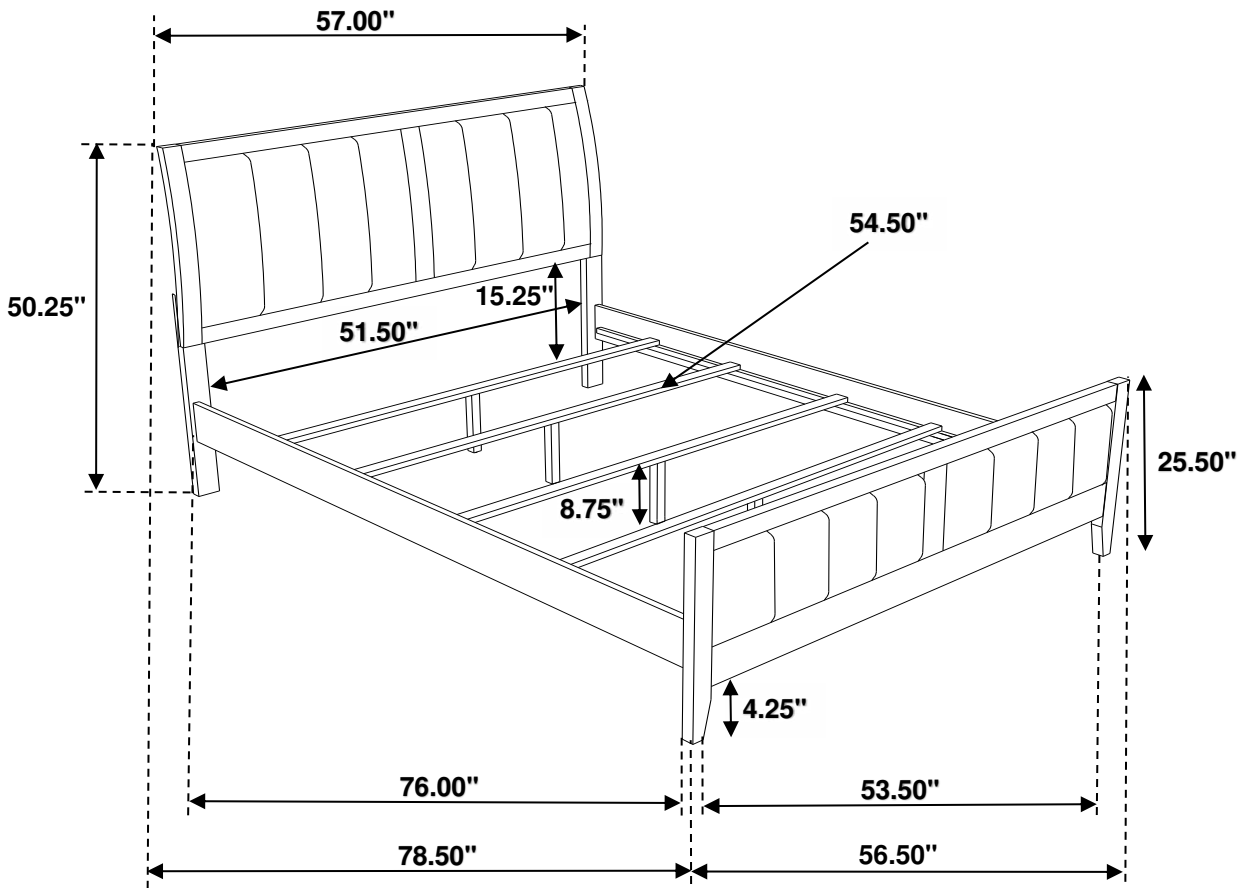
STEP 6
COMPLETE



ITEM: **202091F (B1&B2)**



Inner Size : 54.50"W x 76.00"D



Note: Dimension tolerance $\pm 5\%$

ASSEMBLY INSTRUCTIONS
COASTER FINE FURNITURE



Fine Furniture for every stage of life

202094
Mirror

ITEM: **202094**



ASSEMBLY INSTRUCTIONS

ASSEMBLY TIPS:

1. Remove hardware from box and sort by size.
2. Please check to see that all hardware and parts are present prior to start of assembly.
3. Please follow attached instructions in the same sequence as numbered to assure fast & easy assembly.



WARNING!

1. Don't attempt to repair or modify parts that are broken or defective. Please contact the store immediately.
2. This product is for home use only and not intended for commercial establishments.

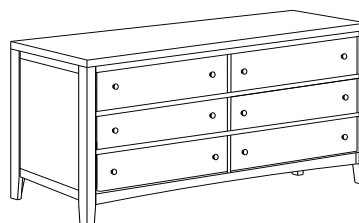


ASSEMBLY TIME

10 MINUTES

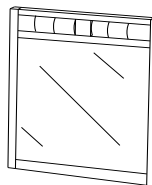
PARTS IDENTIFICATION

A **DRESSER**
FROM BOX ITEM # 202093



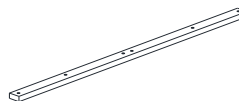
1PC

B **MIRROR**



1PC

C **MIRROR SUPPORT**
(PACK WITH DRESSER)



2PCS

HARDWARE IDENTIFICATION

1 **FLAT HEAD SCREW**
(M4 x 32mm - RBW)



10PCS

NOTE:

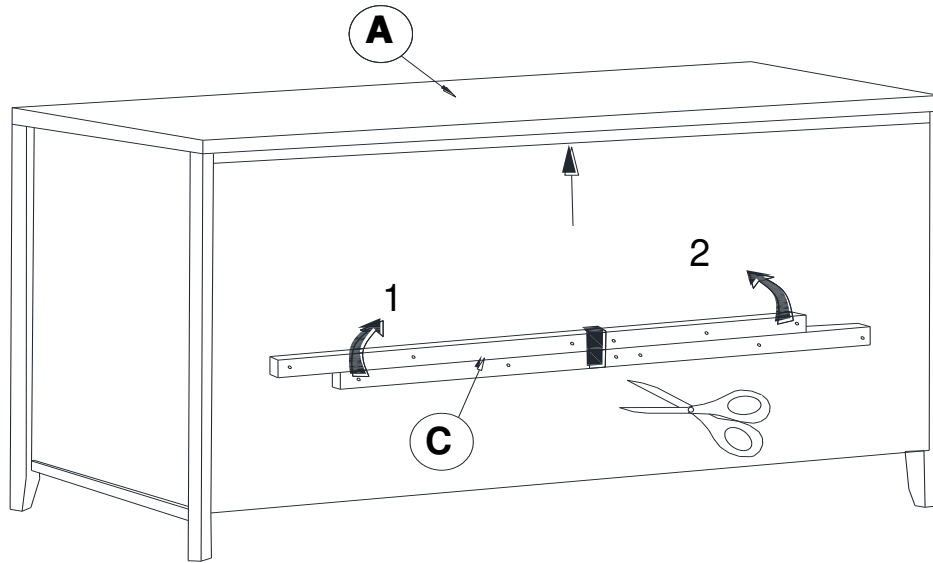
Phillips head screw driver is required in the assembly process; however, manufacturer does not provide this item.

ITEM: 202094

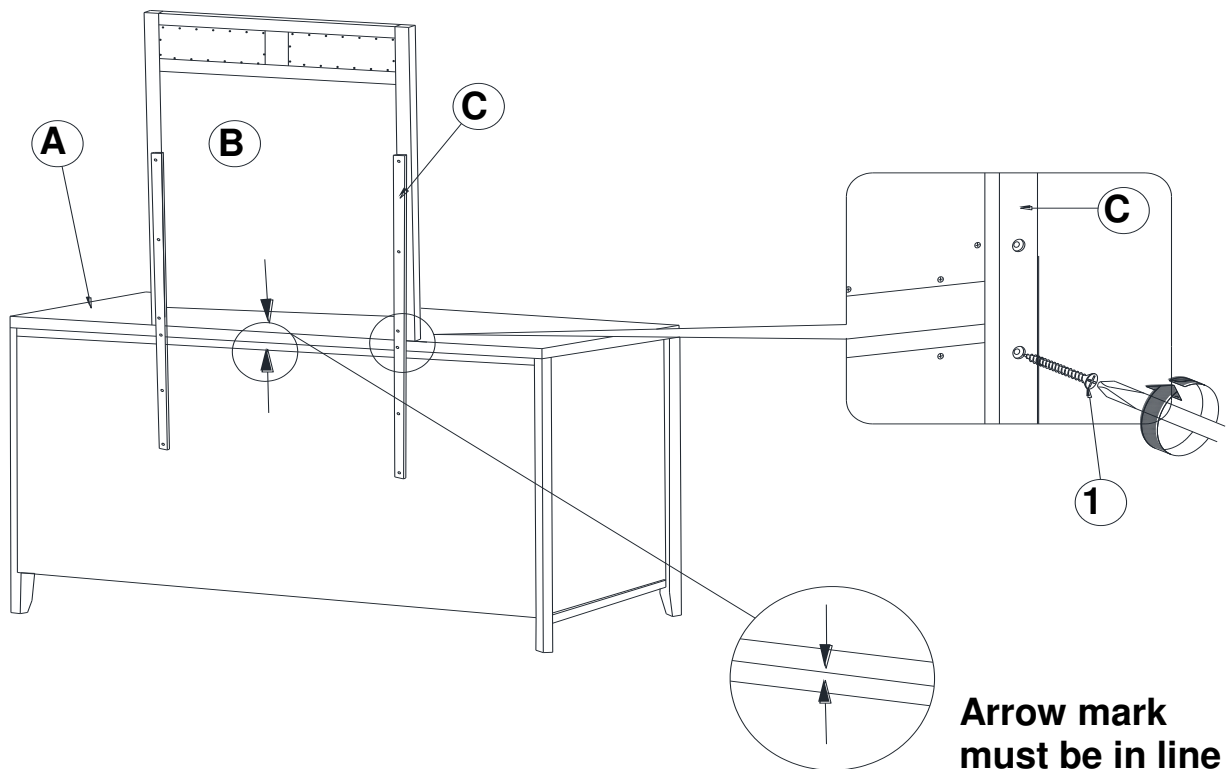


ASSEMBLY INSTRUCTIONS

STEP 1



STEP 2



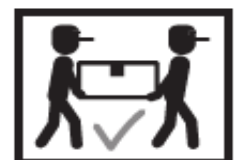
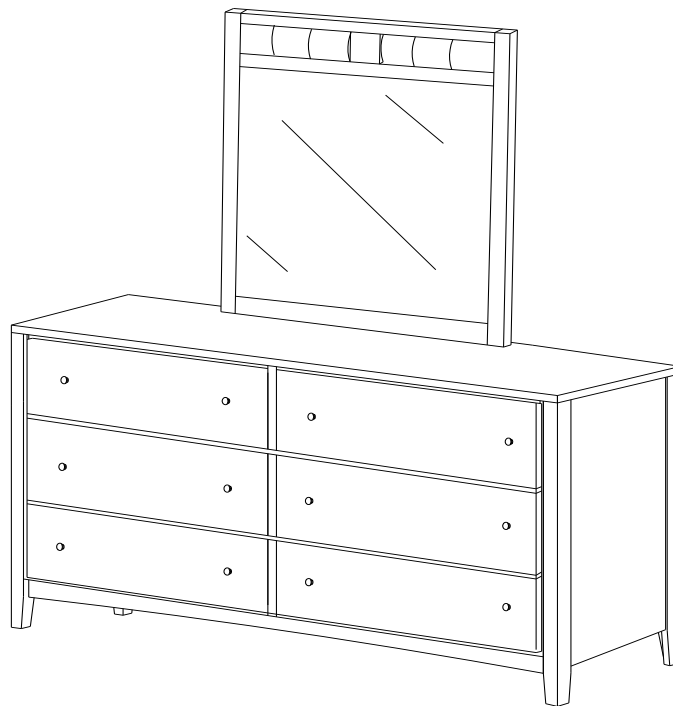
ITEM: **202094**



ASSEMBLY INSTRUCTIONS

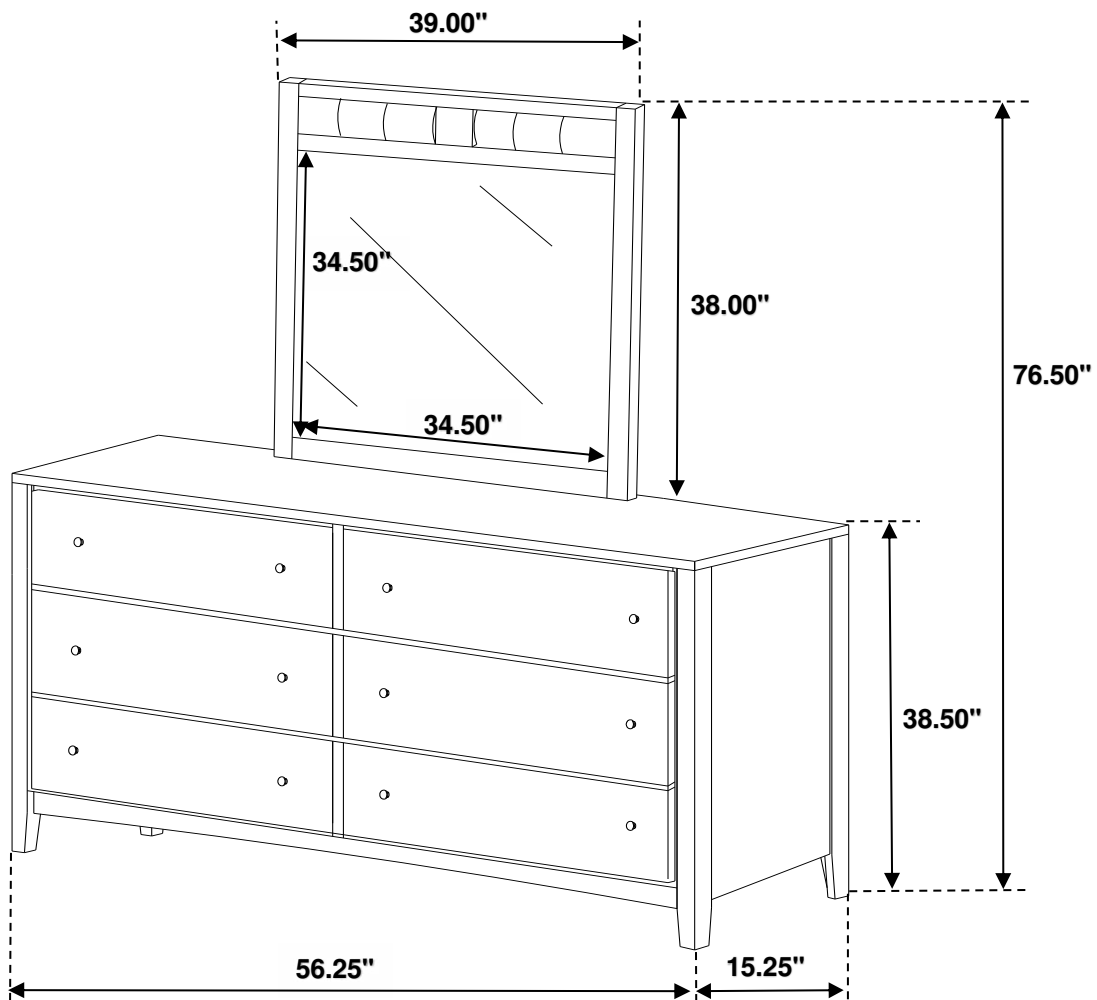
STEP 3

COMPLETE



ITEM:202094

COASTER
FINE FURNITURE



Note : Dimension tolerance $\pm 5\%$