

LinkFlex AD5
Feature-packed Audio Interface

User Manual

Foreword

Thanks for purchasing Comica feature-packed audio interface LinkFlex AD5

Main Features

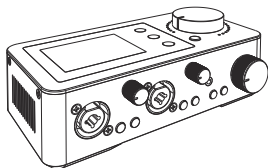
- . 48kHz/24bit Audio Recording, Integrated Dual XLR/6.35mm Interfaces Design
- . Support Recording/Streaming Mode Switch and Direct Monitor
- . Support 48V Phantom Power Mics and Hi-Z Instruments Input
- . Dual USB-C Interfaces for Connecting Two Computers or Mobile Devices
- . Multiple I/O Interfaces to Connect Phones, Tablets, and Computers
- . Up to 65dB Gain Range for Wider Mic Compatibility
- . Class-leading AD/DA Conversion to Deliver the Most Detailed Sound
- . Individual Mic Preamps, Guitar Amps, Monitor Volume and Output Gain Control
- . Digital Signal Processing and Three EQ and Reverb Modes for Unlimited Creativity
- . Featured with Loopback for Sampling, Streaming and Podcasting
- . Support One-key Denoise and Mute, Easy to Use
- . High-definition LCD Screen for Flexible and Intuitive Operation
- . Built-in Rechargeable Lithium Battery, Operating Time Up to 6 Hours

Notice

- ⚠ When working with other products which have high sensitivity, it is recommended to adjust the gain of AD5 to the minimum before turning it on. Users can then adjust the gain step by step to avoid sound peak or audio feedback.
- ⚠ Before connecting/disconnecting the microphone/instrument, please turn off the 48V phantom power/Inst switch to avoid damaging the devices.
- ⚠ Please read this user manual thoroughly before using the product, and keep it for future reference.
- ⚠ Please do not expose the product to rain or moisture, and avoid having water or other liquids spilled on it.
- ⚠ Please do not use or store the product near any heat sources such as radiators, stoves, or other heat-producing appliances.
- ⚠ This product is a high-precision product, please prevent it from dropping or colliding.

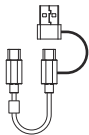
Packing List

Main Part:

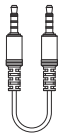


LinkFlex AD5

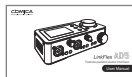
Accessories:



2 in 1 Audio Cable
X2



3.5mm TRRS-TRRS Audio Cable

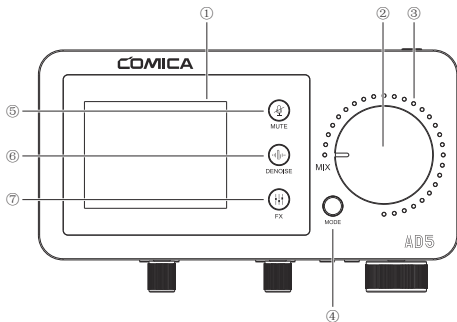


User Manual



Warranty Card

Top Panel:



1. LCD Screen

To show the device status intuitively. Please refer to the following "Screen Display" for more information.

2. MIX Knob

To adjust the volume level of output audios; the volume indicators will change according to the volume level.

3. Volume Indicator

Indicating the volume level of the output audios.

4. Recording/Streaming Mode Switch Button

Short press to switch between Recording mode and Streaming mode.

AD5 outputs stereo audio in recording mode, IN1 stands for the left channel, and IN2 the right channel; AD5 outputs mono audio in streaming mode.

5. Mute Touch Button

Touch to turn on/off Mute.

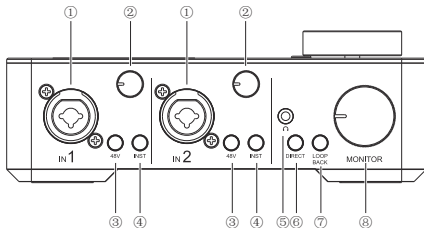
6. Denoise Touch Button

Touch to turn on/switch/turn off denoise. Please switch to denoise 1 mode when using dynamic mics; Please switch to denoise 2 mode when using condenser mics.

7. REB/EQ Touch Button

Long press to switch to EQ or Reverb; short press to choose EQ/REB modes.

Front Panel:



1. Input Port IN1/2

6.35 TRS instruments and XLR microphones can be connected to AD5 through the input ports IN1/2. In Recording Mode, IN1 stands for the left channel and IN2 the right channel.

2. Gain Control Knob 1/2

Adjust the preamp gain for input signals at IN1/2 respectively.


3. 48V Phantom Power Switch 1/2

Turn on/off 48V Phantom Power. When you turn this switch on, phantom power will be supplied to the XLR jack connected to the IN1/2 ports. Please turn it on when using a phantom powered microphone.

- 1. When connecting/disconnecting microphones to AD5, please set the gain of AD5 to the minimum before turning on/off 48V Phantom power to avoid damaging the devices.
- 2. When connecting devices not requiring 48V phantom power to IN1/2 port, please make sure to turn off 48V phantom power.

4. Inst Switch 1/2

Turn on/off the input impedance. Please turn the inst switch on when connecting Hi-Z instruments such as an electric guitar/bass to achieve better input effects.

-  1. It's recommended to set the gain of AD5 to the minimum before turning on/off Inst switch to avoid feedback problems and damage to the devices.
- 2. When connecting devices not requiring high impedance to IN1/2 port, please make sure to turn off Inst switch.
- 3. To protect your speaker system, leave the monitor speakers turned off when turning the Inst switch on/off.

5. 3.5mm Monitoring Port 1

Plug in 3.5mm TRS/TRRS headphones to monitor.

6. Monitoring Mode Switch

Switch monitoring mode. In direct monitoring mono mode, the monitoring audio is mono; In direct monitoring stereo mode, the monitoring audio is stereo (IN1 stands for the left channel and IN2 the right channel); In direct monitoring mode, AD5 will route the audio signals from IN1/2 directly to the monitor outputs and headphones with zero latency. In input monitoring mode, audio signals from IN1/2 will be routed to the DAW software and then to the monitor outputs and headphones with mixed audio, which will cause a delay in monitoring.

7. Loopback Switch

Loopback uses the 'virtual' inputs, which have no physical connectors on the audio interface itself but can directly route the digital signal streams back to DAW software, it can capture all the audio signals from your computer(e.g., the audio signal output from a web browser) to input to the audio interface.

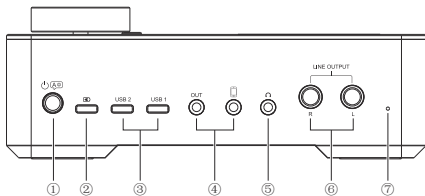
Short press to turn on/of Loopback. When Loopback is on, AD5 will output audio signals both from IN1/2 and USB-C ports; When Loopback is off, AD5 will output audio signals from IN1/2 ports.

-  Loopback only affects the audio output of the USB-C port, not the 3.5mm port.

8. Monitoring Volume Control Knob

Adjust the volume level of the monitoring port1/2.

Back Panel:



1. Power/Language Switch Button

Long press to turn on/off; short press to switch the language of AD5 between Chinese and English.

2. USB-C Charging Port

Users can charge AD5 through the 2 in 1 cable.

3. USB Port 1/2

To connect phones/computers to input/output audio signals via the 2 in 1 audio cable. Phones/computers can route audio signals to AD5 and AD5 can achieve the digital output of audio signals from both phones/computers and IN1/2.

4. 3.5mm Port 1/2

To connect phones to input/output audio signals via the 3.5mm TRRS-TRRS audio cable. Phones can route audio signals to AD5 and AD5 can achieve analog output of the audio signals from phones and IN1/2.

5. 3.5mm Monitoring Port 2

Plug in 3.5mm TRS/TRRS headphones to monitor.

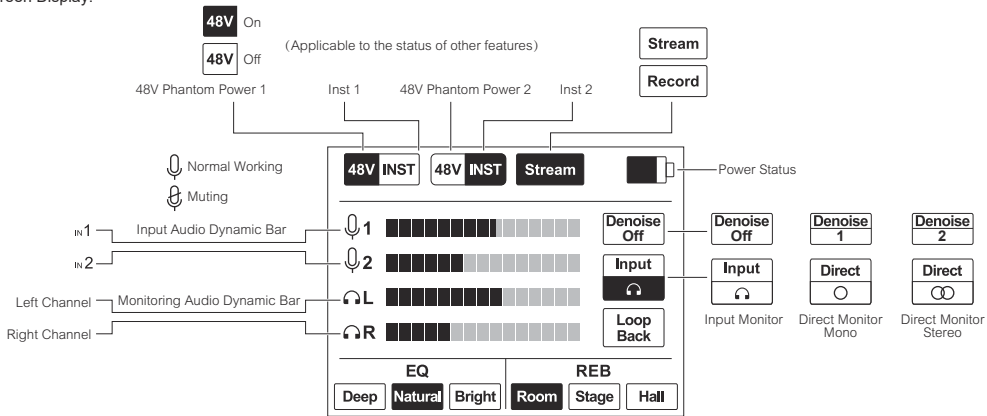
6. Line Output Port

Connect to the monitor speakers, L means the left channel and R the right channel.

7. Reset Hole

If the device cannot be charged or is unable to function, insert the reset pin into the reset hole to reset it.

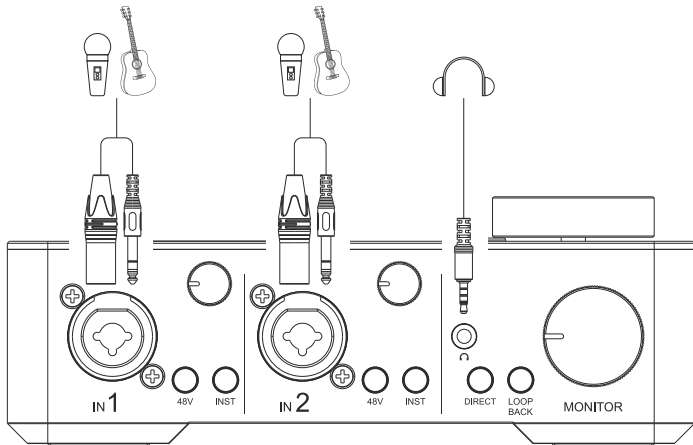
Screen Display:

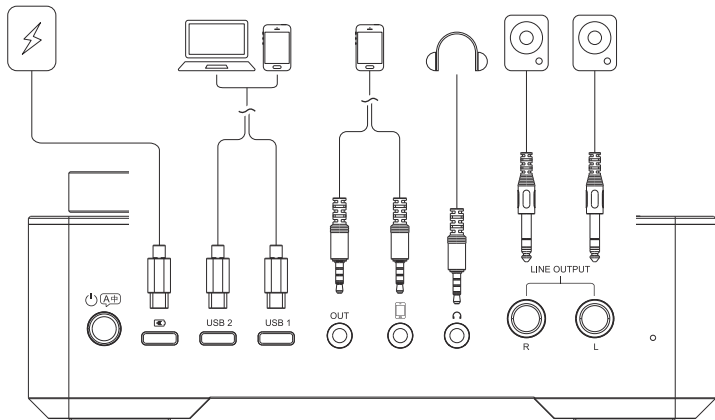


Installation and Usage

Devices Connection

Users can connect the corresponding devices to the audio interface referring to the following pictures:





1. Connect microphones/ instruments

Connect 6.35mm TRS instrument/XLR microphone to AD5 via the input ports IN1/2. In Recording mode, IN1 stands for the left channel, IN2 the right channel; when using a microphone powered by 48V phantom power, please turn on the 48V phantom power; when connecting to a Hi-Z instrument like an electric guitar/bass, it's necessary to enable the Inst switch to achieve better input effects; adjust the preamp gain for the input signals of IN1/2 via gain control knob.



1. When connecting/disconnecting microphones to AD5, please set the gain of AD5 to the minimum before turning on/off 48V Phantom power/inst switch to avoid damaging the devices.
2. When connecting devices not requiring 48V phantom power/high impedance to IN1/2 port, please make sure to turn off 48V phantom power/inst switch.

2. Connect mobile phones/computers

Users can connect mobile phones/computers to AD5 through the USB-C/3.5mm ports for audio signals input/output. Audio signals such as music from the computers/phones can be routed to AD5, and AD5 outputs audio signals to phone/computer.

3. Connect monitoring headphones

Users can connect the headphones to the 3.5mm monitoring port1/2 of AD5, adjust the monitoring volume level through the monitoring volume control knob, as well as monitor the audio dynamics through the LCD screen.

4. Connect the monitor speaker

Monitor speakers can be connected to AD5 via the two 6.35mm Line Output ports.

DAW Software Setting

Users can start using the AD5 with the DAW software. (please refer to the following instructions in Cubase and ProTools).

Cubase

1. Please download and install the driver ASIO4ALL in advance;
2. Connect AD5 to the computer, open Cubase, and create a new project;
3. Click 'Devices - Device Setup';
4. Select 'VST Audio System - ASIO4ALL v2';
5. Click 'ASIO4ALL v2 - Control Panel' to activate the 'Comica_AD5-USB2' input/output port (click to lighten the power and play icons);
6. Add a new audio track in the Cubase, click the 'Record' icon to start recording, and click the 'Monitor' icon to achieve input monitor.

ProTools

1. Please download and install the driver ASIO4ALL in advance;
2. Connect AD5 to the computer, open ProTools, and create a new project;
3. Click 'Setup- Playback Engine', and choose 'ASIO4ALL v2';
4. Click 'Setup - Hardware - ASIO4ALL v2 -Launch Setup App' to activate the 'Comica_AD5-USB2' input/output port (click to lighten the power and play icons);
5. Add a new audio track using key combo 'Ctrl+Shift+N';
6. Click the 'Record' icon to start recording, and click the 'Monitor' icon to achieve input monitor.



If 'Comica_AD5-USB2' cannot be found on the software, please make sure that AD5 is connected to the computer and open the sound settings in the computer to see if AD5 has been set as the default output device of the computer.



When direct monitoring mode is on, please turn off the "Monitor" of the DAW software, otherwise you will hear both the audio signal you're monitoring and the echo effect the signal coming back from the DAW software; when input monitoring mode is on, please turn on the "Monitor" of the DAW software, in which case users can hear the audios edited by the DAW software.

Specifications

Input Interface	2 x XLR/6.35mm
Digital Interface	2 x USB-C
Analog Interface	2 x 3.5mm
Line Output Interface	2 x 6.35mm
Monitoring Interface	2 x 3.5mm
Preamp Gain	+65dB
Dynamic Range	+115dB
Sampling Rate	48kHz
Bit Depth	24bit
Battery	Polymer Lithium Battery 3000mAh 3.7V
Operating Time	6 Hours
Charging Port	USB-C 5V2A
Net Weight	470g
Dimension	170 x 85 x 61mm
Working Temperature	0°C ~ 50°C
Storage Temperature	-20°C ~ 60°C



Website: comica-audio.com

Facebook: Comica Audio Tech Global

Instagram: Comica Audio

YouTube: Comica Audio

The COMICA LOGO is a trademark which is registered and owned by Commlite Technology Co.,Ltd

Email: support@comica-audio.com