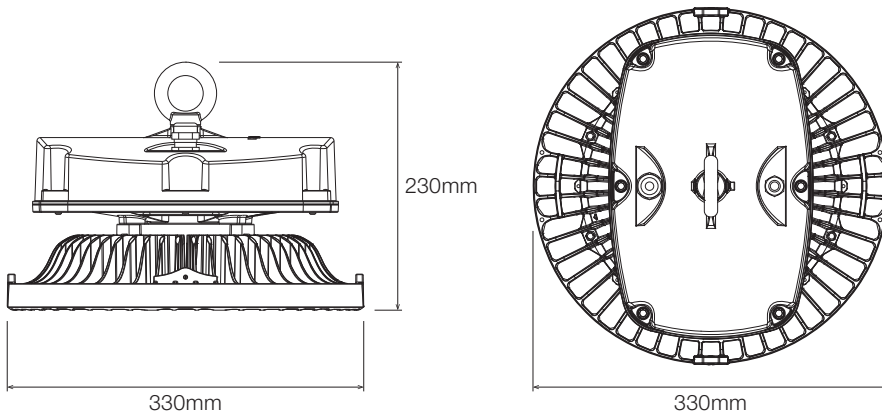


**Zeeno LED High Bay 150W / 240W**



Technical Specifications	
<b>VOLTAGE IN</b>	200 – 440VAC 50/60Hz
<b>POWER</b>	154W / 245W
<b>IP/IK RATING</b>	IP65 / IK08
<b>OPERATING TEMPERATURE</b>	-20 to +50°C

**INSTALLATION INSTRUCTIONS - HOOK MOUNTED**

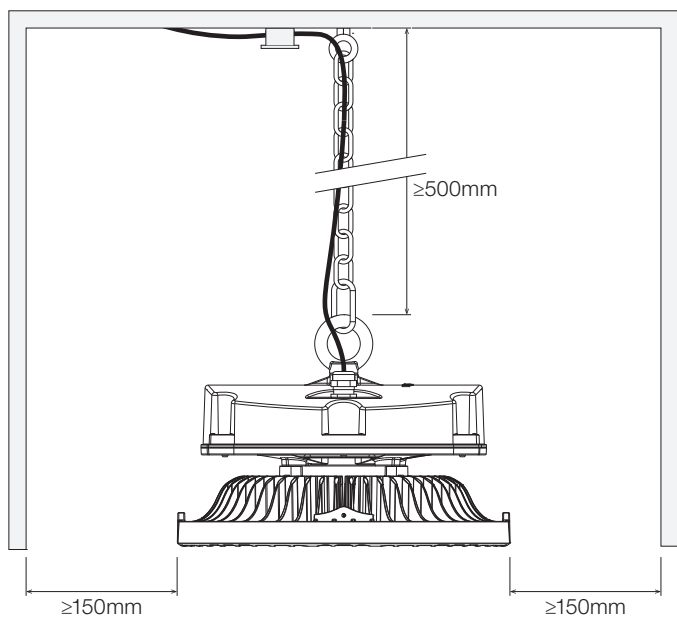
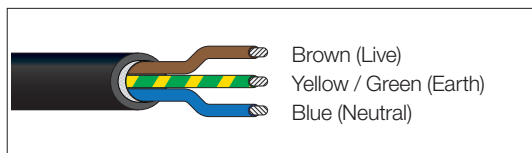
**Step 1**

Hook the ZEENO to chain\* and connect the cable.

\* Chain and carabiner not included.

**WIRING**

The ZEENO comes pre-wired with an Australian mains plug. Otherwise if required, the internal conductors are coloured as below.



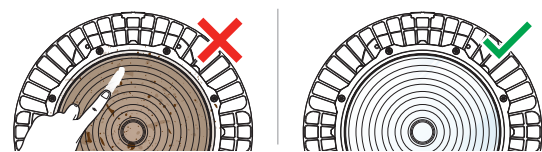
**ATTENTION**

Excessive and prolonged obstruction of the optical surface may result in associated damage which is not covered by warranty.

Customers must select an appropriate method and material for the mounting of luminaires/equipment.

Avoid mixing materials which may lead to premature equipment failure or insecure mounting due to corrosion or accelerated wear and tear.

Customers should account for environmental factors such as temperature, wind, vibration, shock, impact, etc. when identifying appropriate mounting.



A periodic inspection and maintenance plan should be established in accordance with environmental and other relevant factors affecting the long term luminaire/equipment operation and secure mounting.

**A secondary fall arrest kit is recommended for all suspended luminaires/equipment.**

**IMPORTANT**

**Primary use:** commercial and industrial applications.

- Read through this manual before installation
- Handle the product with care
- Class I products must be grounded
- The product must be installed by a suitably qualified person
- Do not stare at operating lamp, may be harmful to the eyes
- Turn OFF the power before installation and maintenance
- Make sure the product is securely installed
- The housing might become hot after operation
- Keep optical face clean

