



Product questions or problems?

1-888-331-4569

Customer Care Hot Line

**Get answers to questions, troubleshoot problems,
order parts, or schedule repair service.**

Para respuestas a preguntas o problemas, y ordenar
piezas o pedir servicio para la reparación de su equipo.

To help us help you, register your product at www.craftsman.com/registration

Para poderte ayudar mejor, registra tu producto en www.craftsman.com/registration

Join the Craftsman Club today!



www.craftsman.com/signup

**Receive exclusive member benefits including special pricing and offers,
project sharing, expert advice, and SHOP YOUR WAY REWARDS!**

Como miembro exclusivo, recibe diversos beneficios como ofertas, precios especiales, proyectos
nuevos, consejos de expertos y nuestro programa de puntos SHOP YOUR WAY REWARDS!

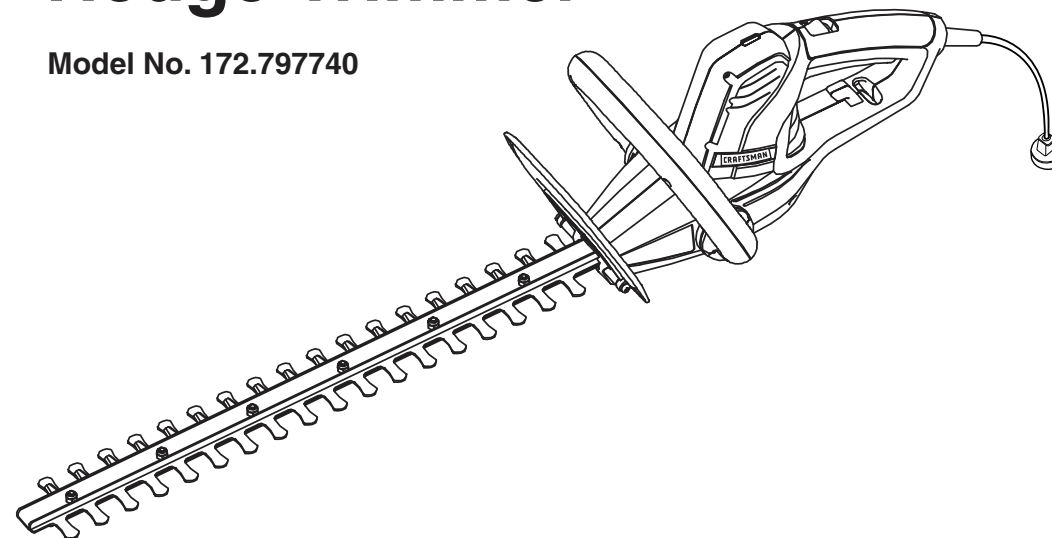
© Registered Trademark / TM Trademark of KCD IP, LLC in the United States, or Sears Brands, LLC in other countries
© Marca Registrada / TM Marca de Fábrica de KCD IP, LLC en Estados Unidos, o Sears Brands, LLC in otros países

Operator's Manual



20-in. 4.2 Amp Electric Hedge Trimmer

Model No. 172.797740



CAUTION: Read, understand and follow all
Safety Rules and Operating Instructions in this
Manual before using this product.

Sears Brands Management Corporation,
Hoffman Estates, IL 60179 U.S.A.
www.craftsman.com

- WARRANTY
- SAFETY
- ASSEMBLY
- OPERATION
- MAINTENANCE
- PARTS LIST
- ESPAÑOL

TABLE OF CONTENTS

| | |
|-----------------------------------|---------------|
| Warranty..... | Page 2 |
| Safety Symbols..... | Page 3 |
| Safety Instructions..... | Pages 4 - 9 |
| Unpacking..... | Page 9 |
| Description/Specifications..... | Pages 10 - 11 |
| Assembly..... | Page 12 |
| Operation..... | Pages 13 - 15 |
| Maintenance/Trouble Shooting..... | Pages 16 - 17 |
| Parts Lists..... | Pages 18 - 19 |

CRAFTSMAN LIMITED WARRANTY

FOR TWO YEARS from the date of sale, this product is warranted against defects in material or workmanship.

WITH PROOF OF SALE, a defective product will be replaced free of charge.

For warranty coverage details to obtain free replacement, visit the web page: www.craftsman.com/warranty

This warranty does not cover the cutting blades, which are expendable parts that can wear out from normal use within the warranty period.

This warranty is void if this product is ever used while providing commercial services or if rented to another person.

This warranty gives you specific legal rights, and you may also have other rights which vary from state to state.

Sears Brands Management Corporation, Hoffman Estates, IL 60179

⚠ WARNING: Some dust particles created by lawn and garden tools contain chemicals known to the state of California to cause cancer, birth defects or other reproductive harm. Some examples of these chemicals are:

- Compounds in fertilizers, herbicides, pesticides, and insecticides.
- Arsenic and chromium from chemically treated lumber.

Your risk from these exposures varies, depending upon how often you do this type of work. To reduce your exposure to these chemicals:

- Work in a well-ventilated area
- Work with approved safety equipment, such as those dust masks that are specially designed to filter out microscopic particles.



**SAVE THESE INSTRUCTIONS!
READ ALL INSTRUCTIONS!**

SAFETY SYMBOLS

The purpose of safety symbols is to attract your attention to possible dangers. The safety symbols and the explanations with them deserve your careful attention and understanding. The symbol warnings do not, by themselves, eliminate any danger. The instructions and warnings they give are no substitutes for proper accident prevention measures.

⚠ WARNING: Be sure to read and understand all safety instructions in this manual, including all safety alert symbols such as “**DANGER**,” “**WARNING**,” and “**CAUTION**” before using this rotary tool. Failure to follow all instructions listed in this manual may result in electric shock, fire and/or serious personal injury.

SYMBOL SIGNAL MEANING

⚠ SAFETY ALERT SYMBOL: Indicates **DANGER, WARNING, OR CAUTION**. May be used in conjunction with other symbols or pictographs.

⚠ DANGER: Indicates a hazardous situation which, if not avoided, will result in death or serious injury. This signal word is to be limited to the most extreme situations. Always follow the safety precautions to reduce the risk of fire, electric shock, and personal injury.

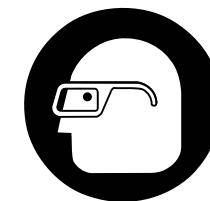
⚠ WARNING: Indicates a hazardous situation which, if not avoided, could result in death or serious injury. Always follow the safety precautions to reduce the risk of fire, electric shock, and personal injury.

⚠ CAUTION: Indicates a hazardous situation which, if not avoided, could result in minor or moderate injury.

Damage Prevention and Information Messages

These inform the user of important information and/or instructions that could lead to equipment or other property damage if they are not followed. Each message is preceded by the word “NOTE,” as in the example below:

NOTE: Equipment and/or property damage may result if these instructions are not followed.



⚠ WARNING: To ensure safety and reliability, all repairs should be performed by a qualified service technician.

⚠ WARNING: The operation of any power tools can result in foreign objects being thrown into your eyes, which can result in severe eye damage. Before beginning power tool operation, always wear safety goggles or safety glasses with side shield and a full face shield when needed. We recommend a Wide Vision Safety Mask for use over eyeglasses or standard safety glasses with side shields. Always use eye protection which is marked to comply with ANSI Z87.1 shields.

SAFETY INSTRUCTIONS

⚠ WARNING: If correctly used, this electric **Hedge Trimmer** is an efficient tool to use; if used improperly or without the due precautions it could become a dangerous tool. For pleasant and safe work, **ALWAYS** strictly comply with the safety rules that are contained in this manual.

⚠ WARNING: **BE SURE** to read and understand all instructions in this manual before using this electric **Hedge Trimmer**. Failure to follow all instructions listed below may result in electric shock, fire and/or serious personal injury.

⚠ WARNING: To avoid mistakes that could cause serious injury, **DO NOT** connect the **Hedge Trimmer** to the power source until the following instructions have been read and understood.

GENERAL POWER TOOL SAFETY WARNINGS

⚠ WARNING: Read all safety warnings and instructions. Failure to follow the warnings and instructions may result in electric shock, fire and/or serious injury.

SAVE ALL WARNINGS AND INSTRUCTIONS FOR FUTURE REFERENCE.

The term power tool in the warnings refers to your electric (corded) power tool or battery-operated (cordless) power tool.

WORK AREA SAFETY

- **Avoid Dangerous Environment - Don't use appliances in damp or wet locations.**
- **Keep work area clean and well lit.** Cluttered or dark areas invite accidents.
- **Do not operate power tools in explosive atmospheres, such as in the presence of flammable liquids, gases or dust.** Power tools create sparks which may ignite the dust or fumes.
- **Keep children and bystanders away while operating a power tool.** Distractions can cause you to lose control.

ELECTRICAL SAFETY

- **Power tool plugs must match the outlet.** Never modify the plug in any way. **Do not use any adapter plugs with grounded power tools.** Unmodified plugs and matching outlets will reduce risk of electric shock.
- **Avoid body contact with grounded surfaces such as pipes, radiators, ranges and refrigerators.** There is an increased risk of electric shock if your body is grounded.
- **Do not expose power tools to rain or wet conditions.** Water entering a power tool will increase the risk of electric shock.
- **Do Not Abuse Cord - Never carry appliance by cord or yank it to disconnect from receptacle. Keep cord from heat, oil, and sharp edges.**
Damaged or entangled cords increase the risk of electric shock.
- **When operating a power tool outdoors, use an extension cord suitable for outdoor use.** Use of a cord suitable for outdoor use reduces the risk of electric shock.
- **Operating a power tool in a damp location is unavoidable, use a ground fault circuit interrupter (GFCI) protected supply.** Use of an GFCI reduces the risk of electric shock.

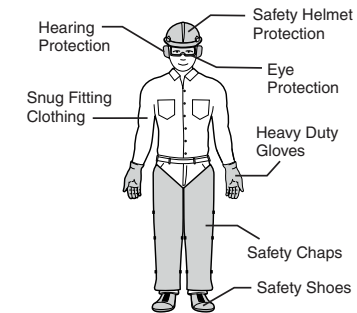
SERVICE

- **Have your power tool serviced by a qualified repair person using only identical replacement parts.** This will ensure that the safety of the power tool is maintained.

SAFETY INSTRUCTIONS cont.

PERSONAL SAFETY

- **Stay alert, watch what you are doing and use common sense when operating a power tool. Do not use a power tool while you are tired or under the influence of drugs, alcohol or medication.** A moment of inattention while operating power tools may result in serious personal injury.
- **Use personal protective equipment. Always wear eye protection.** Protective equipment such as dust mask, non-skid safety shoes, hard hat, or hearing protection used for appropriate conditions will reduce personal injuries.
- **Prevent unintentional starting. Ensure the switch is in the off-position before connecting to power source and/or battery pack, picking up or carrying the tool.** Carrying power tools with your finger on the switch or energizing power tools that have the switch on invites accidents.
- **Remove any adjusting key or wrench before turning the power tool on.** A wrench or a key left attached to a rotating part of the power tool may result in personal injury.
- **Do not overreach. Keep proper footing and balance at all times.** This enables better control of the power tool in unexpected situations.
- **Dress properly. Do not wear loose clothing or jewelry. Keep your hair, clothing and gloves away from moving parts.** Loose clothes, jewelry or long hair can be caught in moving parts.
- **If devices are provided for the connection of dust extraction and collection facilities, ensure these are connected and properly used.** Use of dust collection can reduce dust-related hazards.



POWER TOOL USE AND CARE SAFETY

- **Don't grasp the exposed cutting blades or cutting edges when picking up or holding the appliance or power tool.**
- **Don't Force Appliance/Power Tool - It will do the job better and with less likelihood of a risk of injury at the rate for which it was designed.**
- **Do not use the power tool if the switch does not turn it on and off.** Any power tool that cannot be controlled with the switch is dangerous and must be repaired.
- **Disconnect the plug from the power source and/or the battery pack from the power tool before making any adjustments, changing accessories, or storing power tools.** Such preventive safety measures reduce the risk of starting the power tool accidentally.
- **Store idle power tools out of the reach of children and do not allow persons unfamiliar with the power tool or these instructions to operate the power tool.** Power tools are dangerous in the hands of untrained users.
- **Maintain power tools. Check for misalignment or binding of moving parts, breakage of parts and any other condition that may affect the power tools operation. If damaged, have the power tool repaired before use.** Many accidents are caused by poorly maintained power tools.
- **Maintain Appliance With Care -** Keep cutting edge sharp and clean for best performance and to reduce the risk of injury. Follow instructions for lubricating and changing accessories. Inspect appliance cord periodically, and if damaged, have it repaired by an authorized service facility. Inspect extension cords periodically and replace if damaged. Keep handles dry, clean, and free from oil and grease.
- **Use the power tool, accessories and tool bits etc., in accordance with these instructions and in the manner intended for the particular type of power tool, taking into account the working conditions and the work to be performed.** Use of the power tool for operations different from those intended could result in a hazardous situation.
- **Keep cutting tools sharp and clean.** Properly maintained cutting tools with sharp cutting edges are less likely to bind and are easier to control.

SAFETY INSTRUCTIONS cont.

POWER TOOL USE AND CARE SAFETY cont.

⚠ DANGER: ALWAYS USE EXTREME CARE WHEN OPERATING YOUR HEDGE TRIMMER.

If the hedge trimmer blades jam or get caught on an electrical cord or wires, **DO NOT TOUCH THE BLADE OR ELECTRICAL CORD OR WIRES FOR ANY REASON! THE BLADE COULD BE ELECTRICALLY "LIVE" AND CAUSE SERIOUS OR FATAL PERSONAL INJURY.**

Release, drop, set-down the hedge trimmer in the safest way possible, disconnect the damaged electrical cord or wires from the power source if possible. If that is not possible, call an electrician, electrical contractor, or the power company for assistance.

Failure to heed this DANGER warning will cause serious personal injury and possible death.

⚠ WARNING: BE SURE to read and understand all instructions before operating this tool. Failure to follow all instructions listed below may result in electric shock, fire and/or serious personal injury.

1. **DO NOT** use the tool if switch does not turn it "On" or "Off". Any tool that cannot be controlled with the switch is dangerous and must be repaired.
2. **DISCONNECT** the plug from the power source before making any adjustments, changing accessories or storing the tool. Such preventive safety measures reduce the risk of starting the tool accidentally.
3. **STORE** idle tools out of the reach of children and other untrained persons. Children **MUST NOT** operate the tool. Tools are dangerous in the hands of untrained users.
4. **MAINTAIN** hedge trimmer with care. Keep cutting blades sharp and clean for best performance and to reduce the risk of injury. Inspect extension cord periodically and replace if damaged. Keep handles dry, clean and free from oil and grease.
5. **CHECK** for misalignment or binding of moving parts, breakage of parts, and any other condition that may affect the tool's operation. If damaged, have the tool serviced before using. Many accidents are caused by poorly maintained tools.
6. **ALWAYS INSPECT** the hedges, bushes, plantings that you are going to trim for hidden wires, pipe, landscape boards or other obstructions that could get caught in, or damage the cutting bar or blades.
7. **DO NOT** store the hedge trimmer on or adjacent to fertilizers or garden chemicals. Fertilizers and garden chemicals contain agents which greatly accelerate the corrosion of metals, such as the hedge trimmer's blades and cutting bar.

NOTE: IMPORTANT Lubricate the blades before and after each use. Ignoring lubrication will shorten blade life and affect cutting operation.

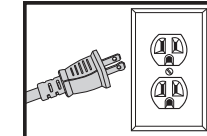
⚠ DANGER: Keep hands away from blade. Contact with blade will result in serious personal injury. **Keep all parts of the body away from the cutter blade. Do not remove cut material or hold material to be cut when blades are moving. Make sure the switch is off when clearing jammed material. Blades coast after turn off.** A moment of inattention while operating the hedge trimmer may result in serious personal injury.

⚠ WARNING: Only use with handle and guard properly assembled to hedge trimmer. The use of the hedge trimmer without the proper guard or handle provided may result in serious personal injury.

SAFETY INSTRUCTIONS cont.

ELECTRICAL SAFETY

⚠ WARNING: Do not permit fingers to touch the terminals of plug when installing or removing the extension cord from the plug.



1. **Double insulated tools are equipped with a polarized plug (one blade is wider than the other and will require the use of a polarized extension cord).** The Hedge Trimmer's plug will fit into a polarized extension cord only one way. If the plug does not fit fully into the extension cord, reverse the plug. If the plug still does not fit, obtain a correct polarized extension cord. A polarized extension cord will require the use of a polarized wall outlet. This plug will fit into the polarized wall outlet only one way. If the plug does not fit fully into the wall outlet, reverse the plug. If the plug still does not fit, contact a qualified electrician to install the proper outlet. **Do not change or alter** the equipment plug, extension cord receptacle, or extension cord plug in any way.
2. Double insulation □ eliminates the need for the three-wire grounded power cord and grounded power supply system. Applicable only to Class II (double-insulated) tools. This Hedge Trimmer is a double insulated tool.

⚠ WARNING: GFCI (Ground Fault Circuit Interrupter) protection should be provided on all circuits or outlets to be used for electric hedge trimmers and lawn and garden power tools. Receptacles are available having built-in GFCI protection and should be used for this measure of protection.

- Double insulation **DOES NOT** take the place of normal safety precautions when operating this tool.
- Guard against electric shock: Prevent body contact with grounded surfaces. For example: metal pipes, wire fences.

3. **BEFORE** plugging in the tool, **BE SURE** that the outlet voltage supplied is within the voltage marked on the tool's data plate. **DO NOT** use "AC only" rated tools with a DC power supply.
4. **DO NOT** expose tools to rain or wet conditions or use electric tools in wet or damp locations. Water entering an electric tool will increase the risk of electric shock.
5. **If operating an electric tool in damp locations is unavoidable, ALWAYS USE a Ground Fault Circuit Interrupter to supply power to your tool. ALWAYS WEAR electrician's rubber gloves and footwear in damp conditions.**
6. **To reduce the risk of electric shock,** use only with an extension cord intended for outdoor use, such as an extension cord of cord type: SW-A, SOW-A, STW-A, STOW-A, SJW-A, SJOW-A, SJTW-A. or SJTOW-A.
7. **INSPECT tool cords for damage.** Take damaged tools to a qualified service dealer for inspection and repair using identical replacement parts. **BE SURE** to stay constantly aware of the cord location and keep it well away from the cutting blade.
8. **DO NOT** abuse the extension cord. **NEVER** use the cord to carry the tool by or to pull the plug from the outlet. Keep cord away from heat, oil, sharp edges or moving parts. Replace damaged cords immediately. Damaged cords increase the risk of electric shock.

EXTENSION CORDS

Use a proper extension cord. ONLY use cords listed by Underwriters Laboratories (UL). Other extension cords can cause a drop in line voltage, resulting in a loss of power and overheating of tool.

For this tool an AWG (American Wire Gauge) size of a least 14-gauge is recommended for an extension cord of 25-ft. or less in length. Use 12-gauge for an extension cord of 50-ft. **Extension cords 100-ft. or longer are not recommended.**

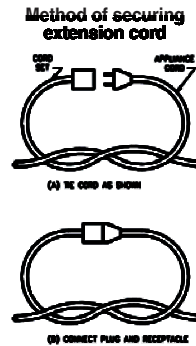
SAFETY INSTRUCTIONS cont. EXTENSION CORDS cont.

Remember, a **smaller wire gauge size has greater capacity than a larger number** (14-gauge wire has more capacity than 16-gauge wire; 12-gauge wire has more capacity than 14-gauge). When in doubt use the smaller number.

Minimum gauge for extension cords

| Volts | Total length of cord in feet | | | | |
|---------------|------------------------------|-----|-----------------|-----|----|
| | 25 | 50 | 100 | 150 | |
| 120V | 25 | 50 | 100 | 150 | |
| 240V | 50 | 100 | 200 | 300 | |
| Ampere Rating | | AWG | | | |
| More than | Not more than | | | | |
| 0 - 6 | 18 | 16 | 16 | 14 | 14 |
| 6 - 10 | 18 | 16 | 14 | 12 | 12 |
| 10 - 12 | 16 | 16 | 14 | 12 | 12 |
| 12 - 16 | 14 | 12 | Not recommended | | |

NOTE - Only the applicable parts of the Table need to be included. For instance, a 120-volt product need not include the 240-volt heading.



CAUTION: Keep the extension cord clear of the work area. Position the cord so that it will not get caught on bushes, hedges, tree trunks, lawnmowers or other obstructions while you are working with the Hedge Trimmer.

WARNING: Check extension cords before each use. If damaged replace immediately. Never use tool with a damaged cord since touching the damaged area could cause electrical shock, resulting in serious injury.

SAFETY SYMBOLS FOR YOUR TOOL

The label on your tool may include the following symbols.

- V.....Volts
- A.....Amps
- Hz.....Hertz
- W.....Watts
- min.....Minutes
- ~.....Alternating current
-Direct current
- n_o.....No-load speed
- .../min.....Revolutions or Strokes per minute
- ⚠.....Indicates danger, warning or caution. It means attention! Your safety is involved.
-Class II construction, Double-Insulation. When servicing, use only identical replacement parts.
- 📖.....Read and follow all safety precautions in the owner's manual. Failure to follow to instruction could result in serious injury to user.
- 👁..... Protective goggles/visor, helmet & hearing protection.
- 🧤..... Gloves with saw protection.
- 👤..... Wear dust mask.
- 🚫..... DANGER - Keep hands away from blade.
- ☔..... Do not expose to rain.
- ⚡..... Remove plug from mains immediately if the cable is damaged or cut.

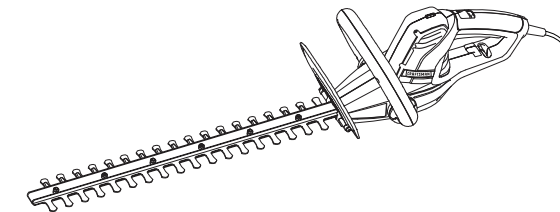
SAFETY INSTRUCTIONS cont.

ADDITIONAL HEDGE TRIMMER SAFETY WARNINGS

1. Keep all parts of the body away from the cutter blade. Do not remove cut material or hold material to be cut when blades are moving. Make sure the switch is off when clearing jammed material. Blades coast after turn off. A moment of inattention while operating the hedge trimmer may result in serious personal injury.
2. Carry the hedge trimmer by the handle with the cutter blade stopped. When transporting or storing the hedge trimmer always fit the cutting device cover. Proper handling of the hedge trimmer will reduce possible personal injury from the cutter blades.
3. Hold the power tool by insulated gripping surfaces only, because the cutter blade may contact hidden wiring or its own cord. Cutter blades contacting a live wire may make exposed metal parts of the power tool live and could give the operator an electric shock.
4. Keep cable away from cutting area. During operation the cable may be hidden in shrubs and can be accidentally cut by the blade.
5. Keep hands away from blade. Contact with blade will result in serious personal injury.
6. Use both hands when operating the hedge trimmer. Using one hand could cause loss of control and result in serious personal injury.
7. Only use with handle and guard properly assembled to hedge trimmer. The use of the hedge trimmer without the proper guard or handle provided may result in serious personal injury.
8. Check the hedge for foreign objects, e.g. wire fences.
9. DO NOT use trimmer without adequate lighting. ALWAYS make sure that you can see what you are trimming and edging.
10. Use trimmer ONLY when vegetation is dry.

UNPACKING

1. The hedge trimmer comes fully assembled.
2. Remove the hedge trimmer from the carton and inspect for damage.
3. Do not discard box or packing material until all parts are examined.



WARNING: If any part of the hedge trimmer is missing or damaged upon unpacking, do not use the unit. Repackage the unit and return it with proof of sale to the retailer from which it was purchased for free replacement.

DESCRIPTION

KNOW YOUR ELECTRIC HEDGE TRIMMER

This hedge trimmer has many built-in convenience features for fast, efficient and safe cutting. These features include the front full wrap assist handle, and lock-off button and trigger safety switch located under the rear handle to prevent accidental starts. Both button and trigger switch must be pressed to turn the hedge trimmer on.

This hedge trimmer has a precision built electric motor and it should only be connected to a 120-volt, 60 Hz AC ONLY power supply (normal household current). The trimmer should always be used with a GFCI (Ground Fault Circuit Interrupter) outlet.

DO NOT operate this trimmer on direct current (DC). The large voltage drop would cause a loss of power and the motor would overheat. If the trimmer does not operate when plugged into correct 120-volt, 60 Hz AC ONLY outlet, check the power supply. The trimmer comes with a 12-in. pigtail power cord and must be plugged into a proper extension cord.

This Electric Hedge Trimmer Has the Following Features:

1. **4.2 Amp Motor** provides the power to cut branches up to 5/8-inch in diameter.
2. **1800 SPM-Strokes per minute** (no-load speed) for fast cutting on a variety of hedge trimming jobs around the yard.
3. **20-inch long Steel Cutting Blade** provides durability and extended cutting reach.
4. **Dual Cutting Action** helps minimize vibration to reduce operator fatigue and provides a fast cutting action
5. **Hardened Steel Blades** stay sharp longer.
7. **Front Full Wrap Assist Handle** for maximum handling control
8. **Rear Handle** for easy control in all angles of use
9. **Cord Retainer** located on rear handle, keeps pigtail and extension cord connected
10. **Lightweight Ergonomically Designed** for easy use and handling comfort

⚠ DANGER: Laceration Hazard. Keep hands away from blades. Handle blades with care. Keep both hands on handles when power is on.

SPECIFICATIONS

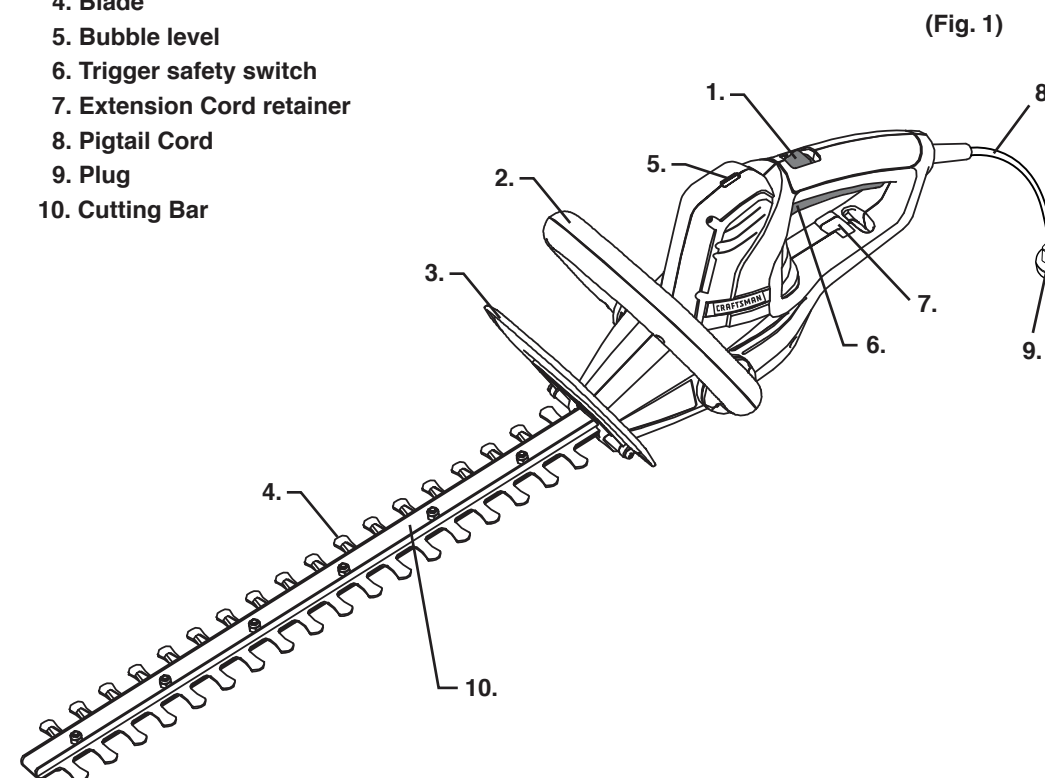
| | |
|----------------------------|-----------------------|
| Blade Length | 20-inches |
| Speed (Strokes per Minute) | 1800 |
| Cutting Capacity | 5/8-inch |
| Cutting Action | Dual |
| Power Requirement | 120-volt, 60 Hertz AC |
| Weight | 5.3 Lbs. |
| Protection class | □/ II |

DESCRIPTION cont

KNOW YOUR ELECTRIC HEDGE TRIMMER cont.

CALL-OUTS (Fig. 1)

1. **Lock-off button (on rear handle)**
2. **Front / Full wrap assist handle**
3. **Safety guard**
4. **Blade**
5. **Bubble level**
6. **Trigger safety switch**
7. **Extension Cord retainer**
8. **Pigtail Cord**
9. **Plug**
10. **Cutting Bar**



ASSEMBLY

⚠ WARNING: This hedge trimmer should NEVER be connected to the power source when you are assembling parts, making adjustments, oiling blades, cleaning or when it is not in use. Disconnecting the trimmer will prevent accidental starting that can cause serious personal injury.

⚠ CAUTION: ALWAYS make sure you support the weight of the hedge trimmer by setting it down on a flat, dry surface before you assemble parts, adjust handles or perform maintenance on the hedge trimmer.

⚠ WARNING: To avoid injury, ALWAYS turn off and disconnect the trimmer from the power outlet BEFORE installing parts, cleaning the trimmer or making any adjustments.

This product requires no assembly

1. Cord retainer (See Fig. 2A, 2B, 2C)

This product is designed with a cord retainer that prevents the extension cord from being pulled loose while using.

- Form a loop with the end of the extension cord.
- Insert loop portion of extension cord through opening in the bottom of the rear handle and place over cord retainer.
- Slowly pull loop back against cord retainer until the slack is removed.
- Plug product into extension cord.

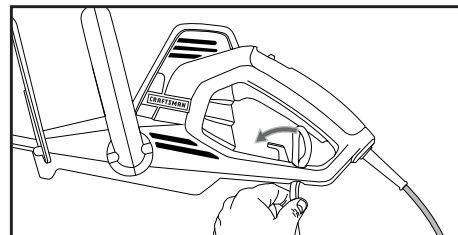


Fig. 2A

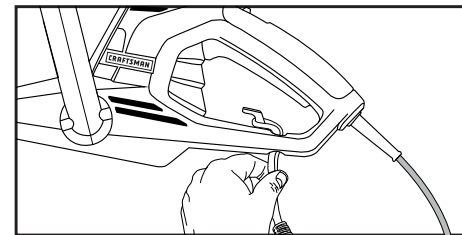


Fig. 2B

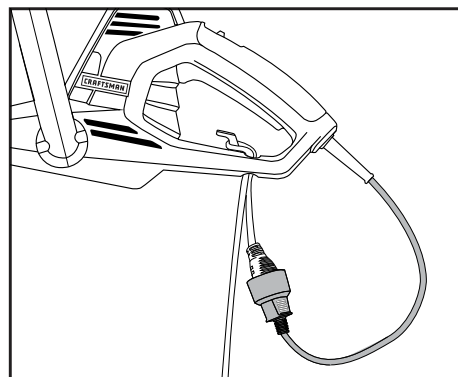


Fig. 2C

12

OPERATION

STARTING AND STOPPING (See Figs. 3 and 4)

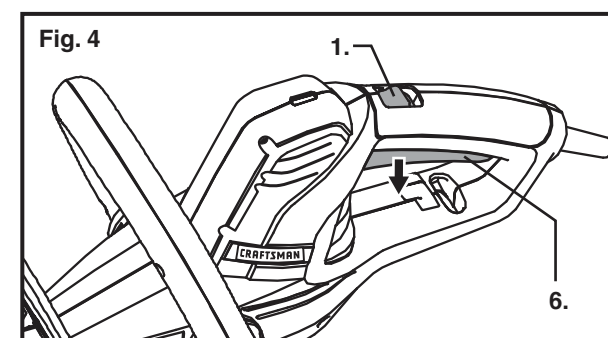
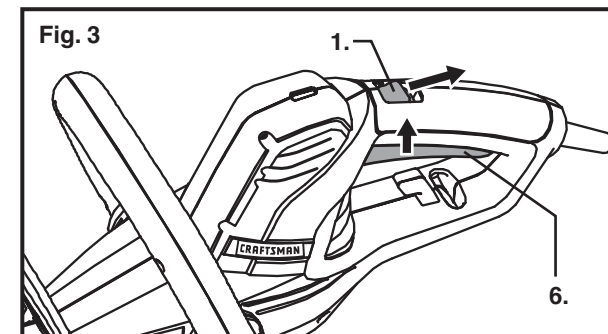
TO START HEDGE TRIMMER

Slide the lock-off button (1) back towards you then squeeze the trigger switch (6) to turn on the hedge trimmer. The trimmer will stay on as long as the trigger switch is squeezed. Lock-off button can be released once hedge trimmer is running. (See Fig. 3)

TO STOP HEDGE TRIMMER

Move Hedge trimmer away from cutting area before stopping. To stop, release trigger switch. (See Fig. 4)

⚠ CAUTION: The blades will continue to coast in motion for a few moments after shutoff. To avoid possible injury remain alert to the blade motion until it has completely stopped.



⚠ WARNING: If any parts are missing, damaged or broken, do not operate your Hedge trimmer until all damaged parts have been replaced or repaired. Failure to do so could result in serious personal injury. DO NOT USE WITHOUT HANDLE AND GUARD.

13

OPERATION cont.

HOW TO USE HEDGE TRIMMER (Figs. 5, 6 and 7)

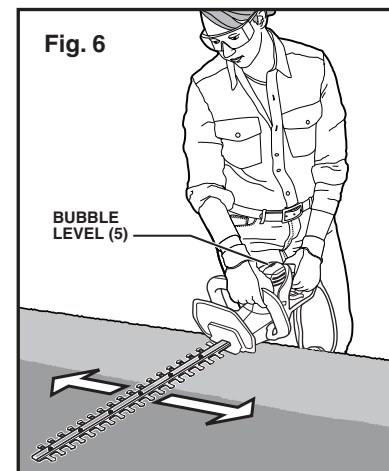
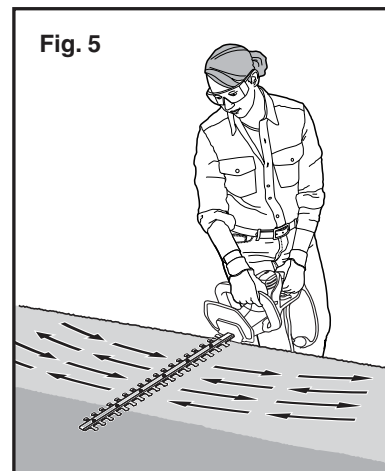
NOTE: Inspect the area to be cut before each use, and remove objects which can be thrown or become entangled in the cutting blades.

1. Always hold the Hedge trimmer with both hands and with the blade away from you before turning it on.
2. **Always keep the power cord behind the Hedge trimmer when in use. Do not place it over the hedge that you are trimming where it may be cut by the blade.**
3. When trimming new growth, use a wide sweeping action so that the stems are fed directly into the blade.
4. Allow the cutting blades to reach full speed before entering the material to be cut.
5. Always work in the direction going away from people and solid objects such as walls, large stones, trees, vehicles etc.
6. If the blade stalls, immediately stop the Hedge trimmer. Disconnect the Hedge Trimmer from the electrical outlet and clear the jammed debris from the cutting blade.
7. Wear gloves when trimming thorny or prickly growth.
8. Move the Hedge trimmer to feed the branches directly into the blade cutting edges.
9. Do not try to cut stems that are too large to feed into the cutting blade.

TOP CUTTING (Fig. 5 and 6)

Use a wide sweeping motion. A slight downward tilt of the cutting blades in the direction of motion gives the best cutting results.

The built-in BUBBLE LEVEL (5) assists you in cutting the hedge flat and even. The bubble will hover in the middle of the bulb when the blade is level to the ground.



OPERATION cont.

HOW TO USE YOUR HEDGE TRIMMER cont. (Figs. 5, 6 and 7)

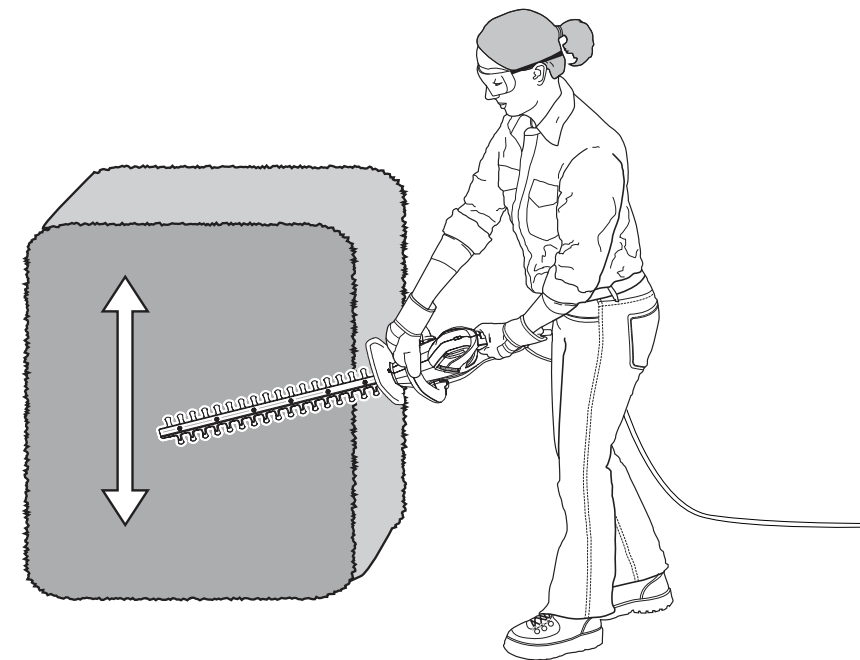
SIDE CUTTING (Fig. 7)

When trimming the sides of the hedge, begin at the bottom and cut upwards, tapering the hedge inward at the top.

This shape will expose more of the hedge, resulting in a more uniform growth.

⚠ WARNING: Check extension cords before each use. If damaged replace immediately. Never use your tool with a damaged cord since touching the damaged area could cause electrical shock resulting in serious injury.
If the supply cord is damaged, stop using the unit. Take unit to a qualified service dealer for inspection and possible repair using identical replacement parts.

Fig. 7



MAINTENANCE

⚠ WARNING: This hedge trimmer should NEVER be connected to the power source when you are assembling parts, making adjustments, oiling blades, cleaning or when it is not in use. Disconnecting the trimmer will prevent accidental starting, which could cause serious personal injury.

CLEANING

Disconnect from electrical outlet. Using a soft brush, remove debris from all air intakes and cutting blade.

Wipe plastic surfaces of hedge trimmer clean with a soft dry cloth.

⚠ WARNING: Never use water for cleaning your Hedge trimmer. Do not clean with chemicals, including petrol, or solvents as this can damage your hedge trimmer.

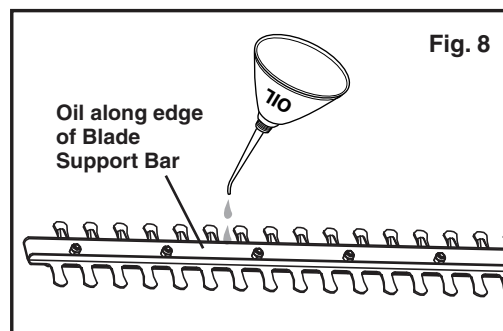
LUBRICATING THE CUTTING BLADE (Fig. 8)

For easier operation and longer life, lubricate the cutting blades before and after each use.

Before lubricating, make sure the Hedge trimmer is disconnected from electrical outlet.

Apply the oil so that it runs between the two blades. (See Fig. 8)

Stop, disconnect and oil hedge trimmer occasionally during extended use.



AT THE END OF THE CUTTING SEASON

Clean the Hedge trimmer thoroughly. Check that all nuts and bolts are secure. Visually inspect the Hedge trimmer for any worn or damaged parts.

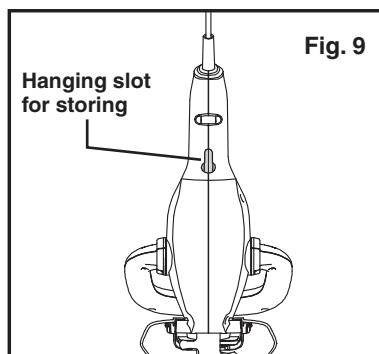
TO STORE YOUR HEDGE TRIMMER

Store the hedge trimmer in a secure, dry place out of the reach of children.

Do not place other objects on top of the hedge trimmer.

The trimmer is provided with 1 hanging slot for storing the trimmer on the wall (See Fig. 9).

Store in a dry place where the trimmer can be protected from damage.



16

MAINTENANCE

ACCESSORIES

⚠ CAUTION: There are NO accessories designed for use on this hedge trimmer.

⚠ WARNING: The use of attachments or accessories that are not recommended for this tool might be dangerous and could result in serious injury.

NEED MORE HELP?

You'll find the answer and more on managemyhome.com – for free!

- Find this and all your other product manuals online.
- Get answers from our team of home experts.
- Get a personalized maintenance plan for your home.
- Find information and tools to help with home projects.

manage my home

brought to you by Sears

17

20-in. 4.2 Amp Electric Hedge Trimmer

Model No. 172.797740

The model number will be found on the nameplate of the Hedge Trimmer. Always mention the model number when requesting parts and service for your tool. To purchase parts, call 1-800-331-4569

PARTS LIST

| Position No. | Parts No. | Part Description | Qty. |
|--------------|------------|------------------------|------|
| 1 | GHT500S-1 | Spirit level | 1 |
| 2 | GHT500S-2 | Left/Right Housing | 1 |
| 3 | GHT500S-3 | Safety Guard | 1 |
| 4 | GHT500S-4 | Upper Auxiliary Handle | 1 |
| 5 | GHT500S-5 | Lower Auxiliary Handle | 1 |
| 6 | GHT500S-6 | Locking Plate | 1 |
| 7 | GHT500S-7 | Switch | 1 |
| 8 | GHT500S-8 | Cord Clamp | 1 |
| 9 | GHT500S-9 | Self Tapping Screw | 2 |
| 10 | GHT500S-10 | Compression Spring | 2 |
| 11 | GHT500S-11 | Switch Lever | 1 |
| 12 | GHT500S-12 | Cable Protector | 1 |
| 13 | GHT500S-13 | Electrical Wire | 1 |
| 14 | GHT500S-14 | Internal Wire | 2 |
| 16 | GHT500S-16 | Screw S3.9X16 | 12 |
| 17 | GHT500S-17 | Carbon Brush(pair) | 2 |
| 18 | GHT500S-18 | Brush Holder Assembly | 2 |
| 19 | GHT500S-19 | Back Motor Bracket | 1 |
| 20 | GHT500S-20 | Bearing Sleeve | 1 |
| 21 | GHT500S-21 | Ball Bearing 607 | 1 |
| 22 | GHT500S-22 | Stator | 1 |
| 23 | GHT500S-23 | Self Tapping Screw | 4 |

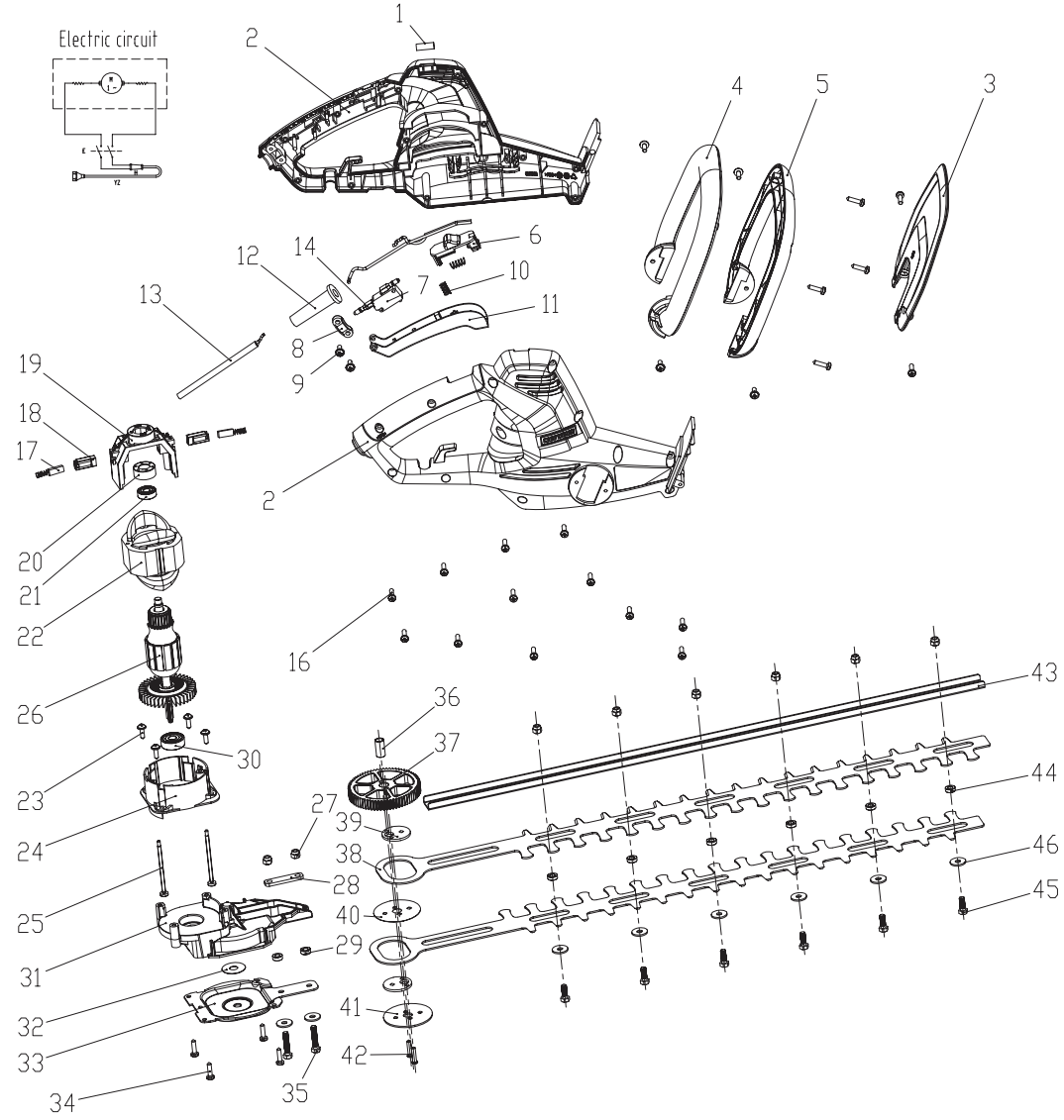
18

| Position No. | Parts No. | Part Description | Qty. |
|--------------|------------|---------------------|------|
| 24 | GHT500S-24 | Front Motor Bracket | 1 |
| 25 | GHT500S-25 | Screw S14.2X60 | 2 |
| 26 | GHT500S-26 | Rotor | 1 |
| 27 | GHT500S-27 | Nut M5 | 8 |
| 28 | GHT500S-28 | Cover | 1 |
| 29 | GHT500S-29 | Roller | 2 |
| 30 | GHT500S-30 | Ball Bearing 628 | 1 |
| 31 | GHT500S-31 | Gearcase | 1 |
| 32 | GHT500S-32 | Washer | 1 |
| 33 | GHT500S-33 | Gearcase Cover | 1 |
| 34 | GHT500S-34 | Screw S13.9X13 | 4 |
| 35 | GHT500S-35 | Screw M5X20 | 2 |
| 36 | GHT500S-36 | Bearing | 1 |
| 37 | GHT500S-37 | Gear | 1 |
| 38 | GHT500S-38 | Blade | 2 |
| 39 | GHT500S-39 | Eccentric | 2 |
| 40 | GHT500S-40 | Blade Spacer | 1 |
| 41 | GHT500S-41 | Cover Board | 1 |
| 42 | GHT500S-42 | Rivet | 2 |
| 43 | GHT500S-43 | Support Bar | 1 |
| 44 | GHT500S-44 | Roller I | 6 |
| 45 | GHT500S-45 | Screw M5X14 | 6 |
| 46 | GHT500S-46 | Mounting Plate | 6 |

PARTS LIST

20-in. 4.2 Amp Electric Hedge Trimmer

Model No. 172.797740



19