

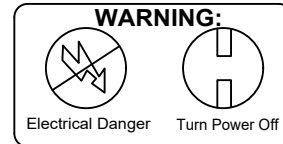
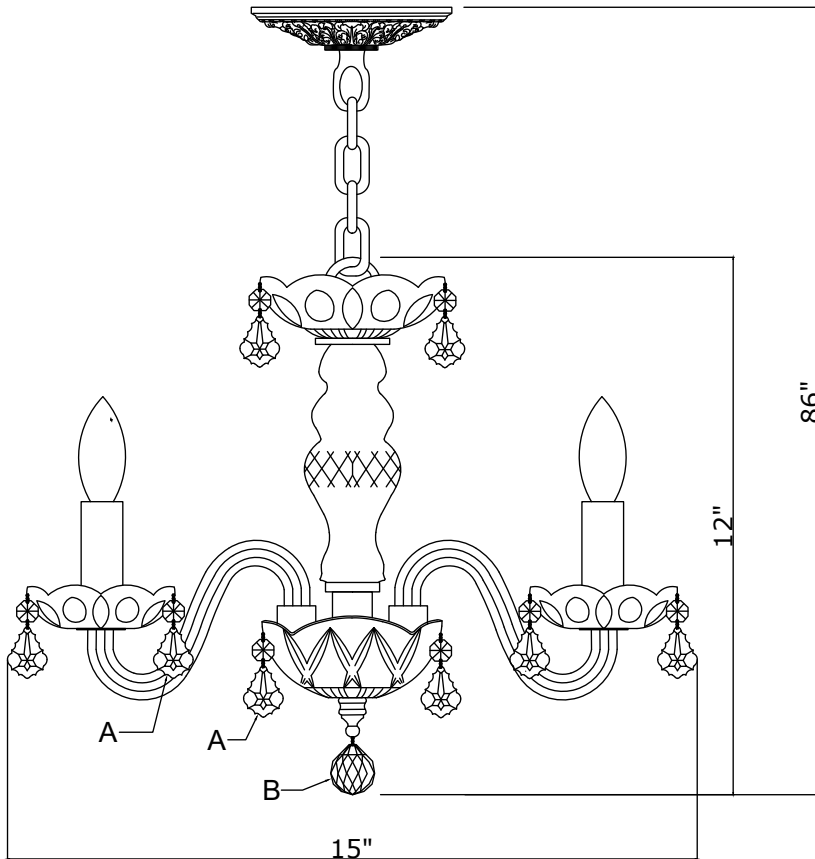
CRYSTORAMA

LIGHTING THE WAY FOR SIXTY YEARS

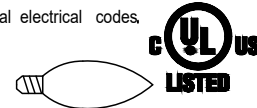


Crystorama.com

ASSEMBLY INSTRUCTION MODEL # 1064-CH-CL-MWP



All electrical components must be installed by a licensed electrician in accordance with the National Electric Code and the appropriate local electrical codes.



You will need 4- Candelabra Base Bulb
40 Watts recommended 60 Watts Max.
USE LED BULBS FOR EXTENDED USE

The fixture is Damp rated

HOW TO INSTALL:

Place the fixture parts on a soft cloth-covered platform before installation of fixture.

1. Place the bottom bobèche and dish over the distributor box and secure with finial.
2. Attach the mounting bar onto the outlet box.
3. Decide the desired hanging height and adjust the chain to the correct length.
4. Raise the fixture up and do the wire connection. Attach the canopy over the mounting bar and secure with collar ring.
5. Place the bobèche over the socket.
6. Dress the crystal as illustrated.

Crystal Sets

- A. 24 Sets. (1) 14mm + AS20-1.5"
B. 1 Set. (1) AS8-30mm Ball

WARNING: This product can expose you to Lead, which is known to the State of California to cause cancer and/or birth defects or reproductive harm. For more information go to www.p65warnings.ca.gov

CRYSTORAMA

LIGHTING THE WAY FOR SIXTY YEARS



Crystorama.com

PART NUMBER MODEL# 1064-CH-CL-MWP

Part Number

Part Numbers

- A. (1)-Mounting hardware
Wire connector x2.
Lock washer x1.
Hex nut x2.
Mounting bar x1.
Threaded nipple x1.
Screw x2.
- B. (1)-Canopy (W5"xH1")-XSN1061CHCAN5IN
- C. (1)-Collar ring
- D. (1)-Collar loop
- E. (1)-Chain (3mmx72")-XSN1064CHCHA3MM
- F. (1)-Center column kit loop
- G. (1)-Center column kit
Top bobèche ; Ø4" ; 4pin ; 28mm center hole
-XSN1064CHBOB4PN
Metal dish ; Ø1 3/4"
Glass vase ; H5.5"
Metal cover ; H1"
- H. (4)-Candle sleeve ; H3 1/8"
- I. (4)-Bobèche ; Ø4" ; 4pin ; 24mm center hole
-XSN1061CHBOB4PN
- J. (4)-4.5" Arm with holder
- K. (1)-Distributor box ; Ø3 1/2" ; 11mm center hole
- L. (1)-Bottom bobèche ; Ø4" ; 4pin ; 24mm center hole
-XSN1061CHBOB4PN
- M. (1)-Metal dish ; Ø1 3/4"
- N. (1)-Finial-XSN1061CHFIN

