

Cuisinart®

INSTRUCTION BOOKLET



Classic 12-Cup Stainless Percolator **PRC-12C Series**

For your safety and continued enjoyment of this product, always read the instruction book carefully before using.



IMPORTANT SAFEGUARDS

When using electrical appliances, basic safety precautions should always be followed to reduce the risk of fire, electric shock, and/or injury to persons, including the following:

1. **READ ALL INSTRUCTIONS.**
2. **Always unplug from outlet when not in use and before cleaning. Allow to cool before putting on or taking off parts and before cleaning the appliance.**
3. Do not touch hot surfaces. Use handles and knobs.
4. To protect against fire, electric shock, and injury to persons do not immerse cord, plug, or stay-cool base unit in water or other liquids.
5. This appliance should not be used by or near children or individuals with certain disabilities.
6. Do not operate any appliance with a damaged cord or plug or after the appliance malfunctions or has been dropped or damaged in any manner. Return appliance to the nearest Cuisinart Repair Center for examination, repair, or electrical or mechanical adjustment.
7. The use of accessory attachments not recommended by Cuisinart may result in fire, electric shock, or injury to persons.
8. Do not use outdoors.
9. Do not let cord hang over edge of table or counter, or touch hot surfaces.
10. Do not place on or near a hot gas or electric burner, or in a heated oven.
11. Always fill percolator with water and attach plug to appliance first, then plug cord into the wall outlet. To disconnect, turn controls to Off, then remove plug from wall outlet.
12. Do not use appliance for other than intended use.
13. **WARNING: TO REDUCE THE RISK OF FIRE OR ELECTRIC SHOCK, DO NOT REMOVE THE BASE PANEL. NO USER-SERVICEABLE PARTS ARE INSIDE. REPAIR SHOULD BE DONE ONLY BY AUTHORIZED PERSONNEL.**
14. Scalding may occur if the lid is removed during the brewing cycle.

15. Do not operate your appliance in an appliance garage or under a wall cabinet. **When storing in an appliance garage, always unplug the unit from the electrical outlet.** Not doing so could create a risk of fire, especially if the appliance touches the walls of the garage or the door touches the unit as it closes.
16. Snap lid securely onto carafe before serving any beverages.
17. This appliance is not intended for use by persons (including children) with reduced physical, sensory, or mental capabilities, or lack of experience and knowledge, unless they have been given supervision or instruction concerning use of the appliance by a person responsible for their safety.
18. Children should be supervised to ensure that they do not play with the appliance.
19. The heating element surface is subject to residual heat after use.

SAVE THESE INSTRUCTIONS FOR HOUSEHOLD USE ONLY

WARNING: RISK OF FIRE OR ELECTRIC SHOCK



The lightning flash with arrowhead symbol within an equilateral triangle is intended to alert the user to the presence of uninsulated dangerous voltage within the product's enclosure that may be of sufficient magnitude to constitute a risk of fire or electric shock to persons.



The exclamation point within an equilateral triangle is intended to alert the user to the presence of important operating and maintenance (servicing) instructions in the literature accompanying the appliance.

SPECIAL CORD SET INSTRUCTIONS

A short detachable power-supply cord is provided to reduce the risks resulting from becoming entangled in or tripping over a longer cord. Longer detachable power-supply cords or extension cords are available and may be used if care is exercised in their use.

If a long detachable power-supply cord or an extension cord is used, the marked electrical rating of the detachable power-supply cord or extension cord must be at least as great as the electrical rating of the appliance, and the longer cord should be arranged so that it will not drape over the countertop or tabletop where it can be pulled on by children or tripped over. The extension cord should be a grounding type 3-wire cord.

OPERATING NOTICE

Clogging and backing up of water and/or coffee in the coffee basket can occur under any or a combination of any of the following conditions: Using coffee that's too finely ground, not properly cleaning coffee grounds from the coffee basket, or allowing coffee grounds to spill over the coffee basket.

CAUTION: Never open the top cover during the brewing cycle, even if no water is draining from the coffee basket, since extremely hot water/coffee can spill out from the coffee basket and cause injury. If water/coffee is not draining from the coffee basket during the brewing cycle, unplug the unit and wait 10 minutes before opening the top cover and checking the coffee basket.

CONTENTS

| | |
|------------------------------------|---|
| Important Safeguards | 2 |
| Unpacking Instructions | 3 |
| Features and Benefits | 4 |
| Using the Percolator | 5 |
| Cleaning and Maintenance | 6 |
| Warranty | 7 |

IMPORTANT UNPACKING INSTRUCTIONS

1. Place the box on a large, sturdy, flat surface.
2. Remove the instruction book and any other literature.
3. Turn the box so that the back side of the percolator is down and slide the percolator from the box.
4. After the percolator has been removed, place the box out of the way and remove cardboard inserts.
5. Remove the polybag covering the percolator.

We suggest you save all packing materials in the event that future shipping of the machine is needed. Keep all plastic bags away from children.



WARNING

RISK OF FIRE OR ELECTRIC SHOCK | DO NOT OPEN

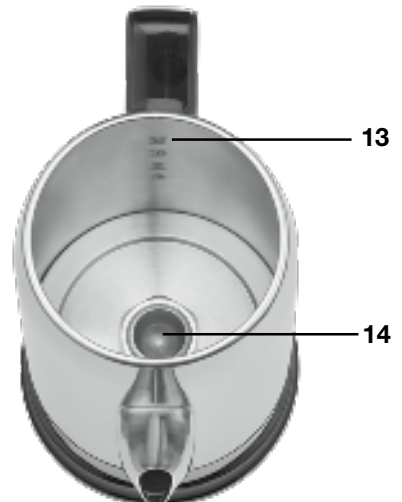
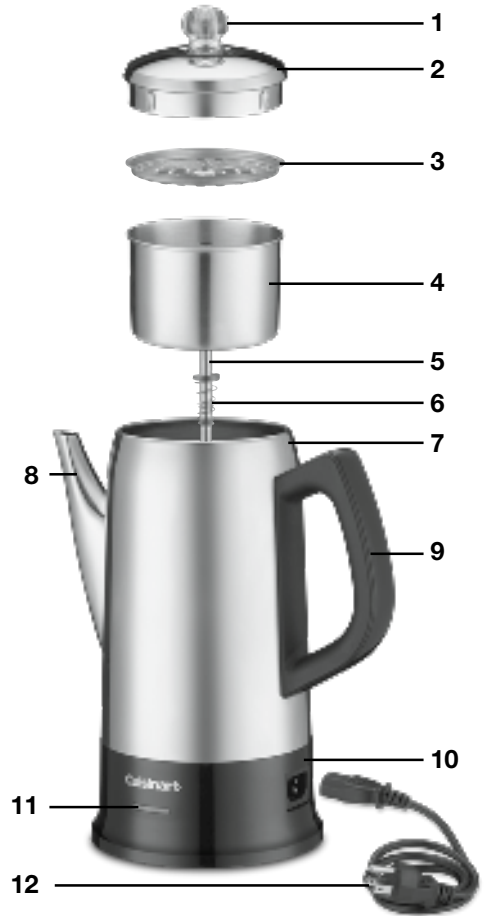


**WARNING: TO REDUCE THE RISK OF FIRE OR ELECTRIC SHOCK,
DO NOT REMOVE COVER (OR BACK)
NO USER-SERVICEABLE PARTS INSIDE
REPAIR SHOULD BE DONE BY AUTHORIZED SERVICE PERSONNEL ONLY**

FEATURES AND BENEFITS

The Cuisinart® Classic 12-Cup Percolator has been designed to increase the pleasure of enjoying a perfectly percolated cup of coffee.

- 1. Transparent Percolator Knob**
Allows you to see the percolating process.
- 2. Stainless Steel Cover**
Lock-down cover ensures safe pouring.
- 3. Coffee Basket Lid**
- 4. Coffee Basket**
Holds ground coffee for up to 12 cups of coffee. Convenient measurement markings take away the guesswork.
- 5. Pump Tube**
- 6. Spring**
- 7. Stainless Steel Body**
Holds from 6 to 12 cups of coffee.
- 8. Tapered Spout**
For no-mess, dripless pouring.
- 9. Comfort-Grip Handle**
Ergonomically designed for easy pouring.
- 10. Stay-Cool Base**
Prevents heat damage to tables and counters. Eliminates the need for a trivet or other surface protector.
- 11. Indicator Light**
Illuminates to indicate that the brewing cycle is complete and the unit is in Keep Warm mode.
- 12. Removable Power Cord**
For convenient pouring and serving, the power cord is removable from unit.
- 13. Water Level Markings**
- 14. Well**



USING THE PERCOLATOR

1. Before using for the first time, thoroughly wash all parts of the percolator. (See the Cleaning and Maintenance section of this booklet.)
2. Remove cover, basket, lid, and pump tube with spring. Using the measurement markings (located inside the body), fill the percolator with the desired amount of water. For best results, be sure to use cold water when filling the percolator.



3. Run cold water over the coffee basket. Place basket on top of pump tube. Add desired amount of coffee according to level markings on basket. To help keep small coffee grounds from sifting through the holes in the basket, be certain to use a grind designed for percolator coffee, or use a coarse grind. Finer grinds may sift through the holes.
4. Place basket and pump tube assembly into percolator so bottom of tube fits into well. Place basket cover on top of basket and push cover onto top of percolator.
5. Plug base into standard household 120-volt AC wall outlet. Brewing begins within seconds, and continues for approximately ten minutes. When brewing is complete, the indicator light illuminate, and the unit will enter Keep Warm mode.

The following chart serves as a guide for preparing various brew strengths. Amounts can be varied to suit personal taste and particular coffees.

| BREW STRENGTH OF COFFEE/NUMBER OF COFFEE MEASURES* | | | |
|--|------|--------|--------|
| #Cups | Mild | Medium | Strong |
| 12 | 12 | 16 | 20 |
| 10 | 10 | 14 | 18 |
| 8 | 8 | 12 | 16 |
| 6 | 6 | 8 | 12 |

*1 coffee measure = 1 level tablespoon (15 ml)

6. Once brewing cycle is complete, indicator light will illuminate to signal your coffee is ready.
WARNING: Be certain the percolating process has stopped completely before removing cover.
7. Once brewing has completed, remove the cover carefully, and using a mitt or potholder, remove the basket and pump tube.
CAUTION: do not touch the stainless steel parts of the percolator, as they will be hot.
8. **Replace cover so it snaps into place. You are now ready to enjoy a flavourful cup of coffee.**
9. Remove plug from percolator for easy serving. Replace plug to keep coffee hot.

CLEANING AND MAINTENANCE

Always remove the plug from the electrical outlet before attempting to clean the percolator.

The percolator cover, basket, lid, and pump tube (with spring) can all be placed in the upper rack of a dishwasher or washed in warm soapy water and rinsed thoroughly.

Never wash percolator body or power cord in dishwasher.

Never immerse the percolator body in water or other liquids. To clean, simply wipe with a clean, damp cloth and dry before storing.

Do not use scouring agents or harsh cleaners on any part of the percolator.

NOTE: Washer at bottom of pump tube must move freely. Should coffee grounds become trapped near the washer, loosen with a toothpick, then run under tap water to clean.

Storage: Percolator should be stored with cover off.

Maintenance: Any other servicing should be performed by an authorized service representative.

DECALCIFICATION

Decalcification refers to removing the calcium deposits that form on the metal parts of the percolator over time.

For best performance from your percolator, decalcify the unit from time to time. The frequency depends upon the hardness of your tap water and how often you use the percolator. Decalcification will clean the interior of the unit.

To decalcify, fill percolator with 2 cups of vinegar, then add water to the 12-cup level. Combined mixture should not exceed 12 cups. Be sure that all parts are in place, and make sure that the lid is securely on. Plug the power cord connector into the cord insert and plug the unit into an electrical outlet. Let the unit run through its normal cycle. Once complete, discard the vinegar and water mixture.

Run one cycle of fresh, cold water (without vinegar) through the unit at the completion of decalcification before using the unit to brew coffee.

WARRANTY

LIMITED THREE-YEAR WARRANTY

We warrant that this Cuisinart product will be free of defects in materials or workmanship under normal home use for 3 years from the date of original purchase. This warranty covers manufacturer's defects including mechanical and electrical defects. It does not cover damage from consumer abuse, unauthorized repairs or modifications, theft, misuse, or damage due to transportation or environmental conditions. Products with removed or altered identification numbers will not be covered.

This warranty is not available to retailers or other commercial purchasers or owners. If your Cuisinart product should prove to be defective within the warranty period, we will repair it or replace it if necessary. For warranty purposes, please register your product online at www.cuisinart.ca to facilitate verification of the date of original purchase and keep your original receipt for the duration of the limited warranty. This warranty excludes damage caused by accident, misuse or abuse, including damage caused by overheating, and it does not apply to scratches, stains, discolouration or other damage to external or internal surfaces that does not impair the functional utility of the product. This warranty also expressly excludes all incidental or consequential damages.

Your Cuisinart product has been manufactured to the strictest specifications and has been designed for use only in 120 volt outlets and only with authorized accessories and replacement parts. This warranty expressly excludes any defects or damages caused by attempted use of this unit with a converter, as well as use with accessories, replacement parts or repair service other than those authorized by Cuisinart.

If the appliance should become defective within the warranty period, do not return the appliance to the store. Please contact our Customer Service Centre:

Toll-free phone number:
1-800-472-7606

Address:
**Cuisinart Canada
100 Conair Parkway
Woodbridge, ON L4H 0L2**

Email:
consumer_Canada@conair.com

**Model:
PRC-12C SERIES**

To facilitate the speed and accuracy of your return, please enclose:

- \$10.00 for shipping and handling of the product (cheque or money order)
 - Return address and phone number
 - Description of the product defect
 - Product date code*/copy of original proof of purchase
 - Any other information pertinent to the product's return
- * The date code format we are using on unit is WWYY, representing week, and year.
eg.2422 = manufactured in 24th week of the year 2022.

Note: We recommend you use a traceable, insured delivery service for added protection.

Cuisinart will not be held responsible for in-transit damage or for packages that are not delivered to us. To order replacement parts or accessories, call our Customer Service Centre at 1-800-472-7606.

For more information, please visit our website at **www.cuisinart.ca**.

Cuisinart®



Food
Processors



Juicers



Coffeemakers



Cookware



Tools and
Gadgets

Cuisinart offers an extensive assortment of top quality products
to make life in the kitchen easier than ever.

Try some of our other countertop appliances and cookware,
and Savour the Good Life®.

www.cuisinart.ca

©2022 Cuisinart Canada

100 Conair Parkway,
Woodbridge, ON L4H 0L2

Consumer Call Centre E-mail:
Consumer_Canada@Conair.com

Printed in China
22CC084955

IB-17530-CAN