



REFRIGERATION AND AIR CONDITIONING

Instructions

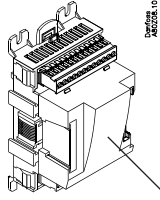
AK-XM 102B



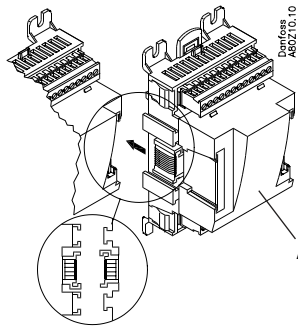
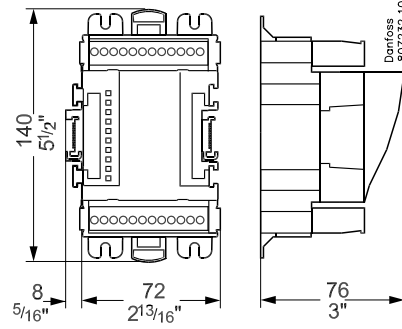
080R9214



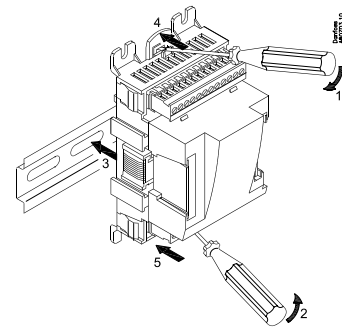
RI8HH602



080Z0013



AK-XM 102B



CE

-20° < t_{amb} < 55°C
-0°F < t_{amb} < 130°F
0 - 95% RH, non condensing
IP10 / VBG4
UL: E357029

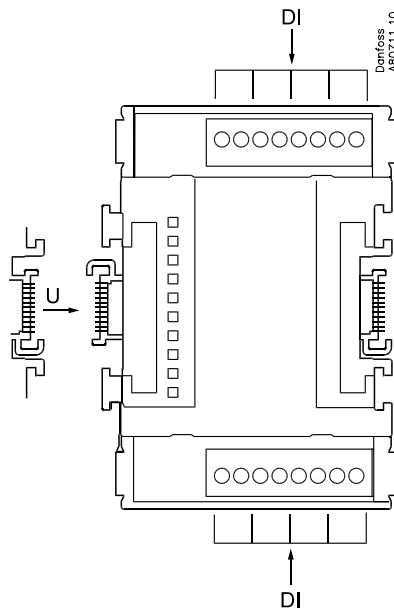


Warning

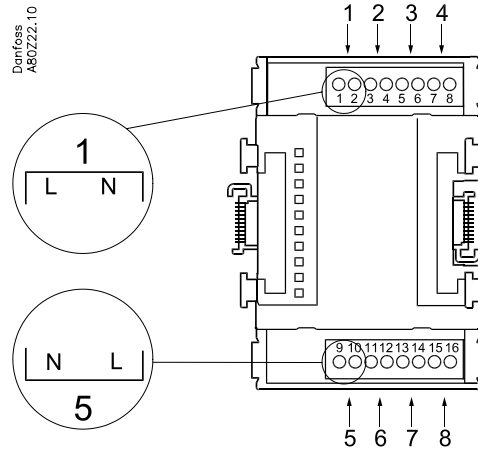
Ensure power is disconnected before adding or removing Modules

DI x 8

230V / 115V
On/Off:
On: DI > 80 V a.c.
Off: DI < 24 V a.c.

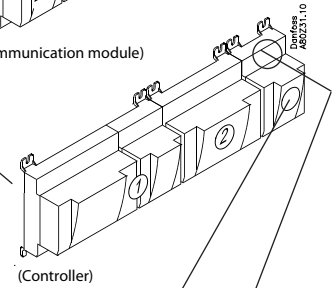
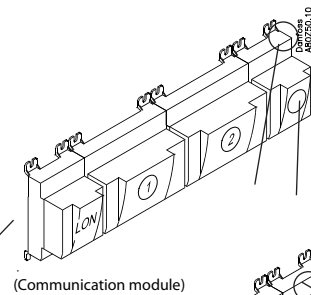
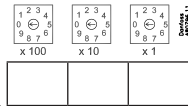


Point



	Signal	Active at
DI 	Ext.Main Switch	Closed (voltage on)
	Day/ Night	/
	Comp. Safety 1	Open (voltage off)
	Comp. Safety 2	

Address



Signal	Active at	Module	Point	Terminals
			1 (DI 1)	1 - 2
			2 (DI 2)	3 - 4
			3 (DI 3)	5 - 6
			4 (DI 4)	7 - 8
			5 (DI 5)	9 - 10
			6 (DI 6)	11 - 12
			7 (DI 7)	13 - 14
			8 (DI 8)	15 - 16

The Product contains electrical components And may not be disposed together with domestic waste. Equipment must be separate collected with Electrical and Electronic waste. According to Local and currently valid legislation.