

Installation Guide

Fuel unit BFPW

071R9857

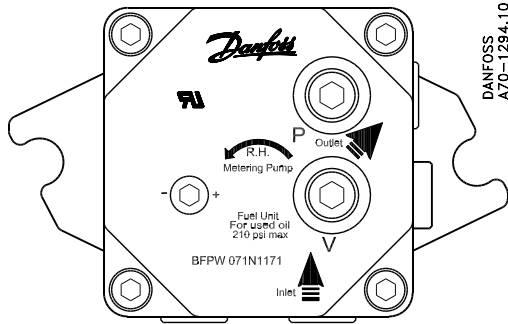


Fig. 1

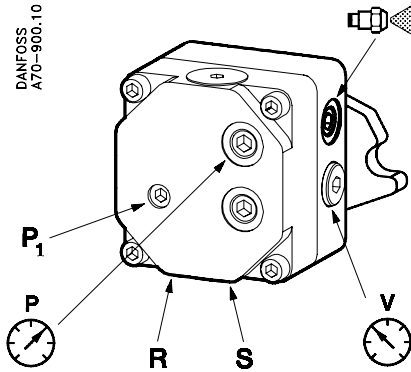


Fig. 2

071R9857

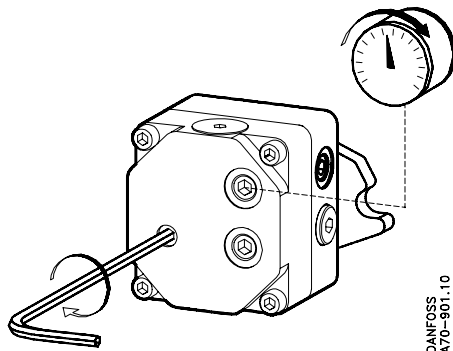


Fig. 3

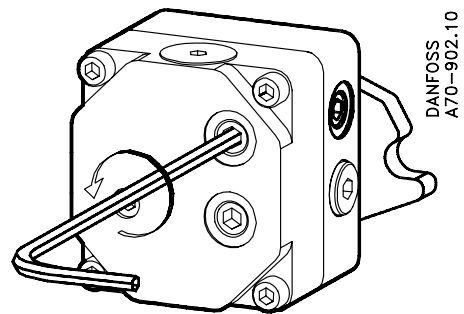


Fig. 4

Technical Data

Oil types	Used oil, No 4 & lighter fuels	
Speed	Max. 3450 rpm.	
Pressure	80-210 psi	
Factory setting	60 psi	
Maximum pressure on suction port	30 psi	
Transfer flow rating	3 GPH	
Operating vacuum	Used oil and no. 4 fuel	20 in. HG
	No. 2 and lighter fuel	10 in. HG

Connections

See fig. 2

- P₁** Pressure regulation
- S** Suction line 1/4 NPTF
- R** Return line 1/4 NPTF
- Nozzle connection left 1/4 NPTF
- P** Pressure gauge connection G 1/8 and bleeding
- V** Vacuum gauge connection 1/8 NPTF

Pressure adjustment

See fig. 3

Air bleeding

See fig. 4

The pump can be bled through the pressure gauge port in the front or through the return port R.

Installation Guide, Fuel unit BFPW

Installation

The fuel unit type BFPW should be installed in accordance with the National Board of Fire Underwriters requirements and local ordinances where applicable.

The pump does not have internal strainer. A filter in the supply line is always required.

Suction line length

Line size	1/2 inch ID	3/4 inch ID
Total length horizontal and vertical	35 feet	45 feet
Calculation basis	460 SSU (100 cSt) corresponding to no. 4 fuel at 40°F	

