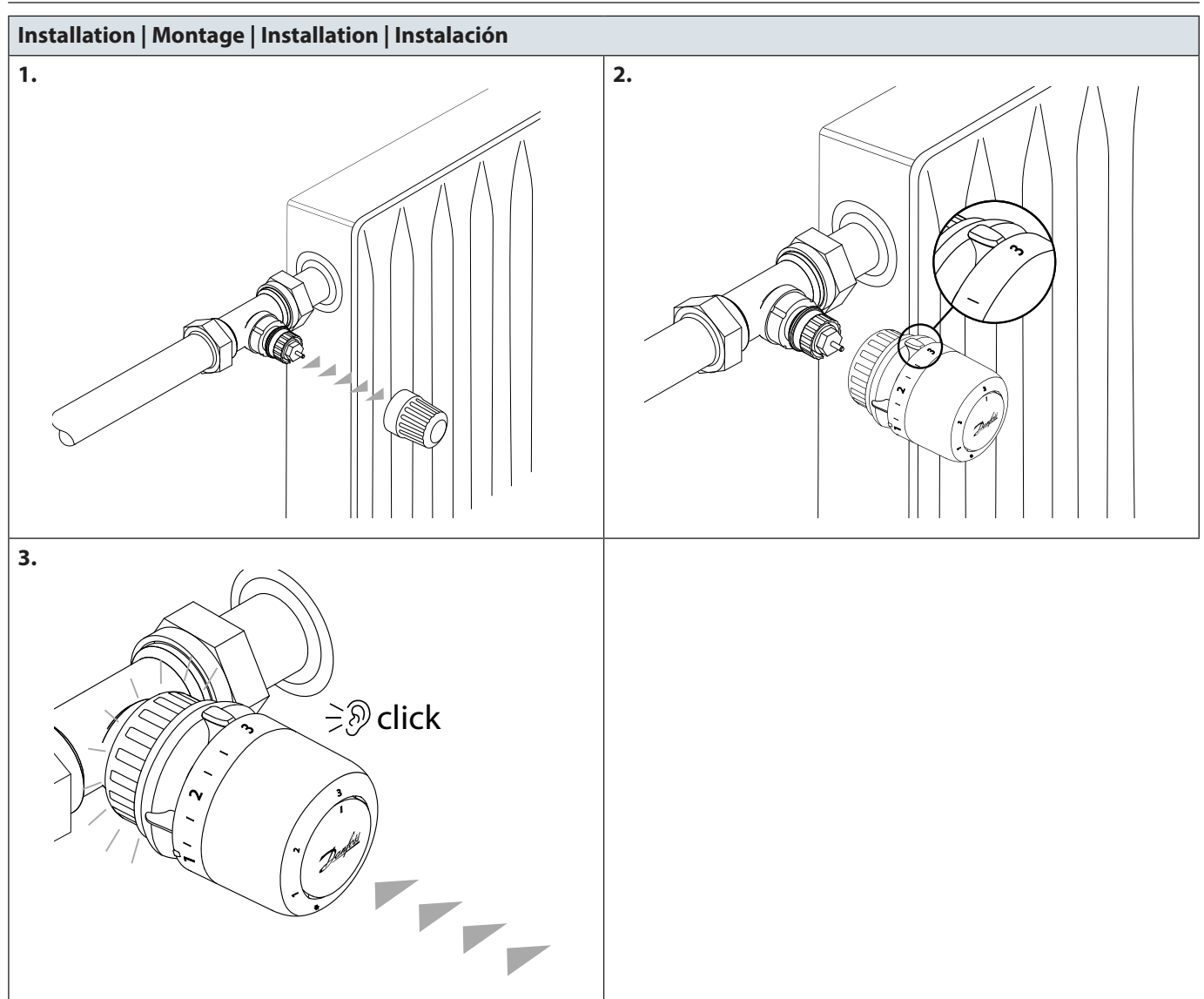


Installation Guide

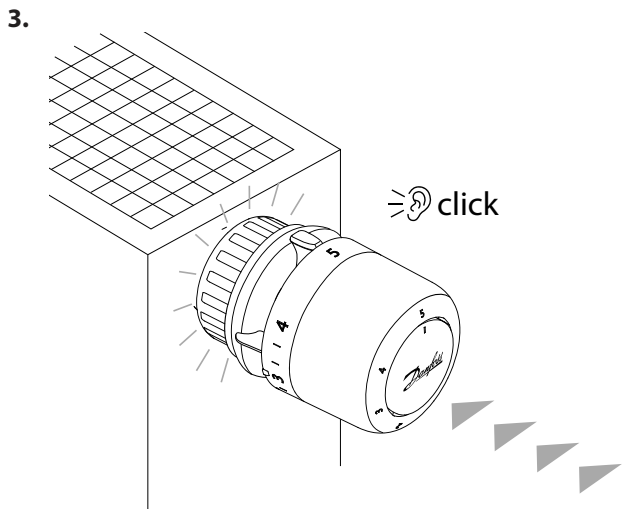
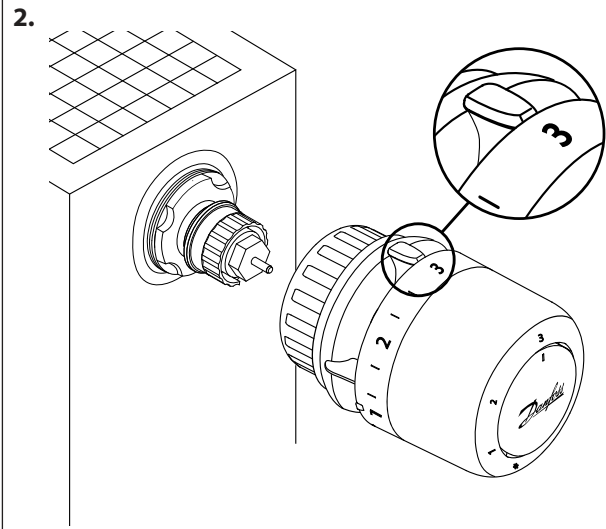
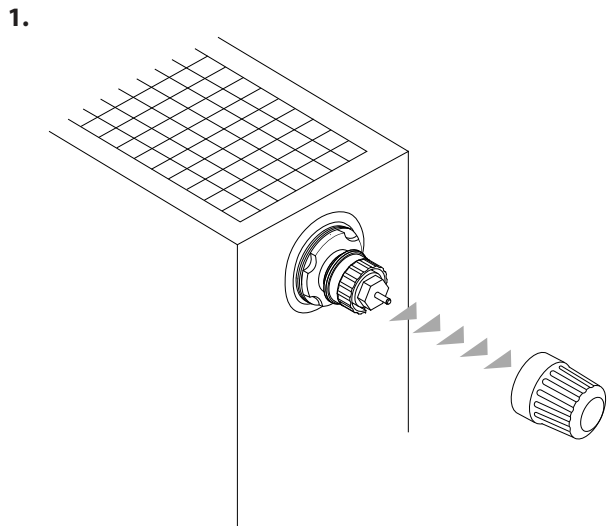
Danfoss Aero® RA click /015G4682
015G4692

Danfoss Aero® RA click, remote sensor

thermostatic sensors series

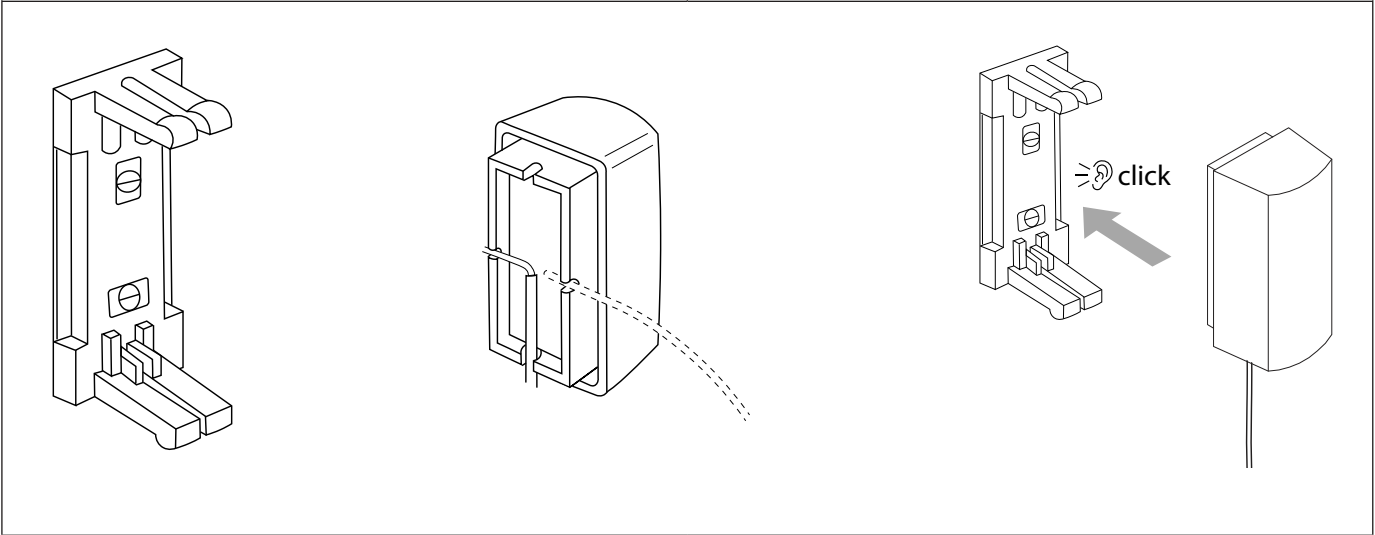
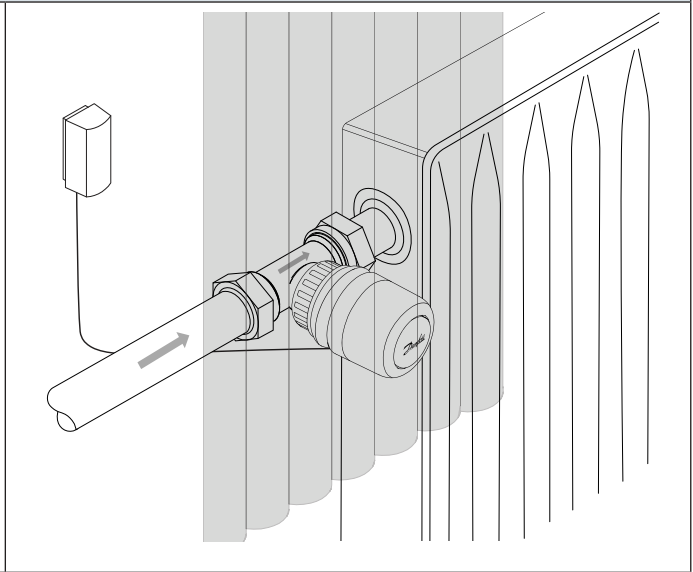
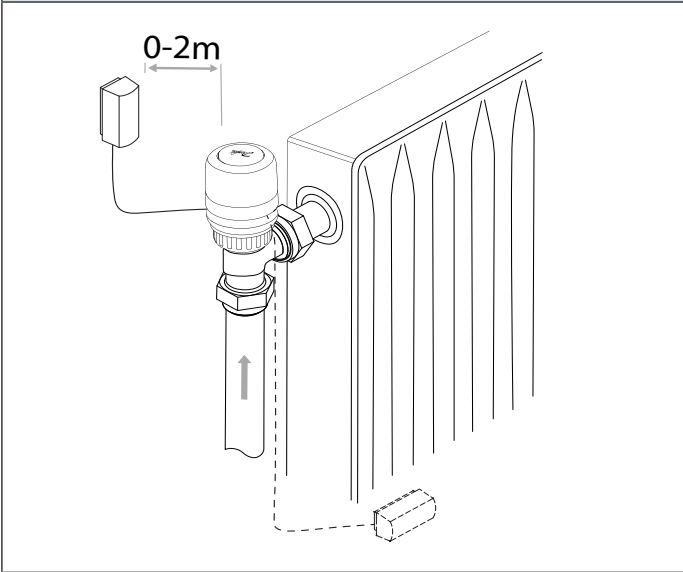


BIV Installation | Montage | Installation | Instalación

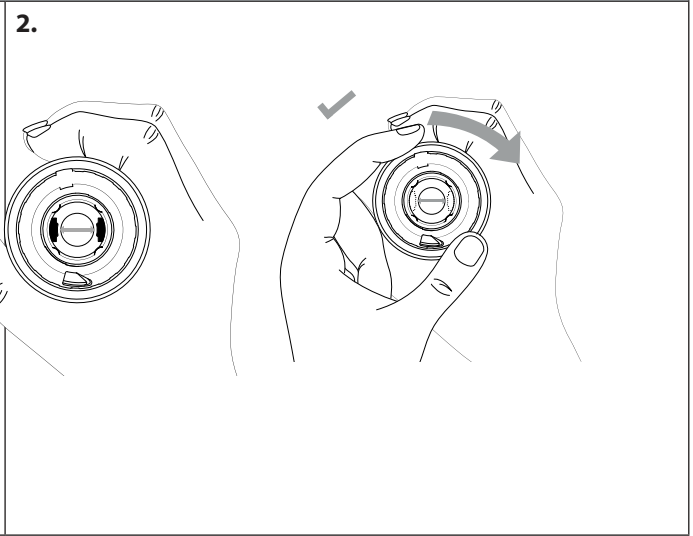
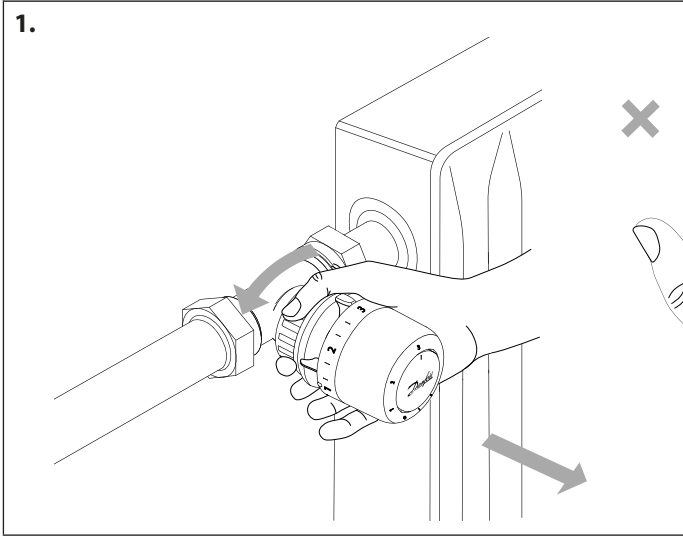


Danfoss Aero® click, remote sensor

Remote sensor | Fernfühler | À distance | Remoto



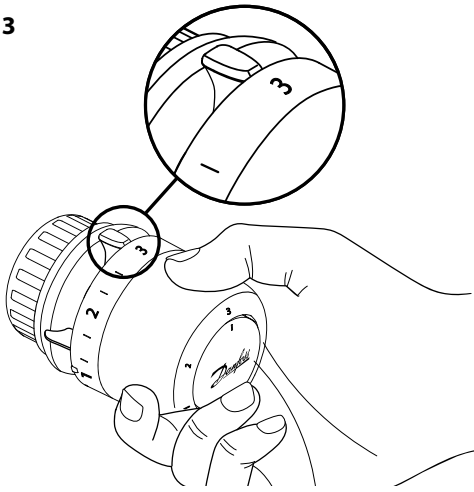
Uninstall | Deinstallieren | Désinstaller | Uninstall



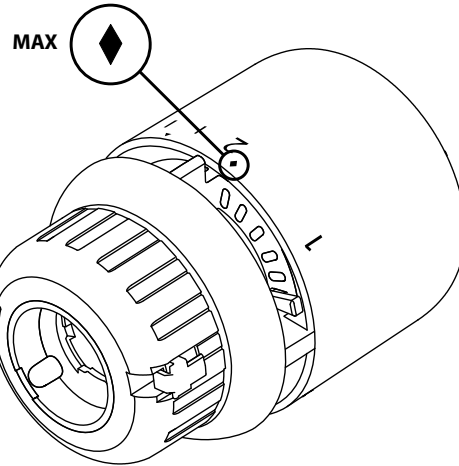
Temperature Limitation | Temperaturbegrenzung | Limite de température | Limitación de temperatura (MAXIMUM)

1.

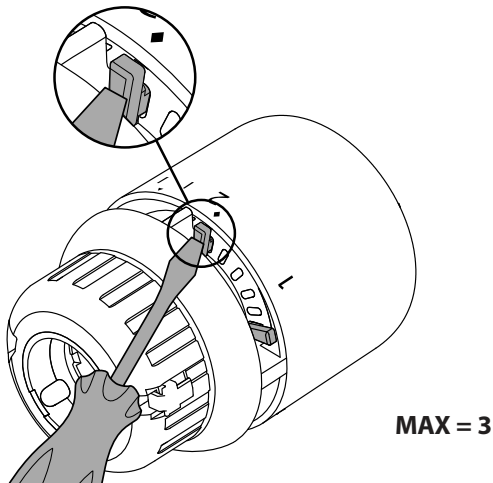
e.g.
MAX = 3



2.

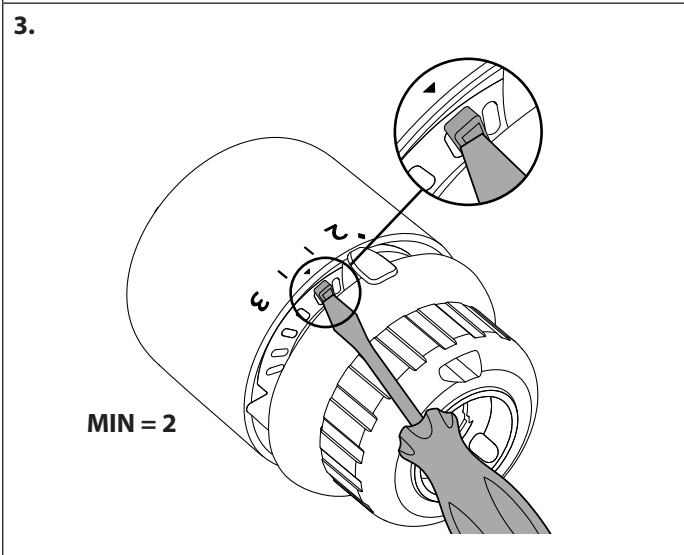
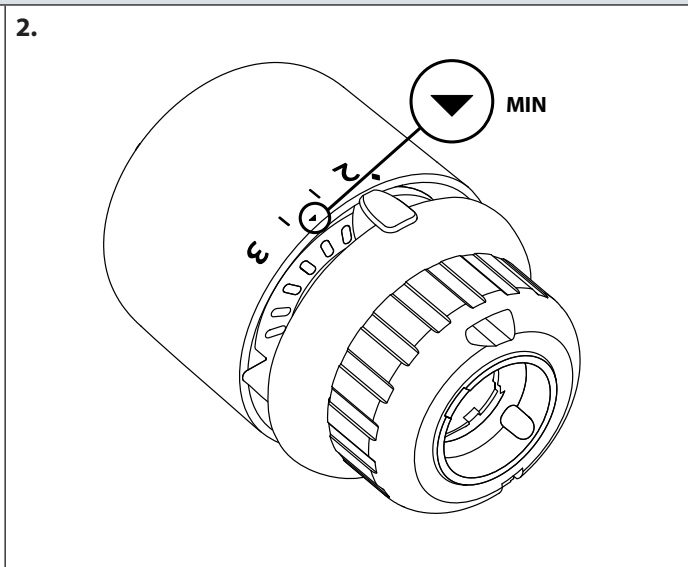
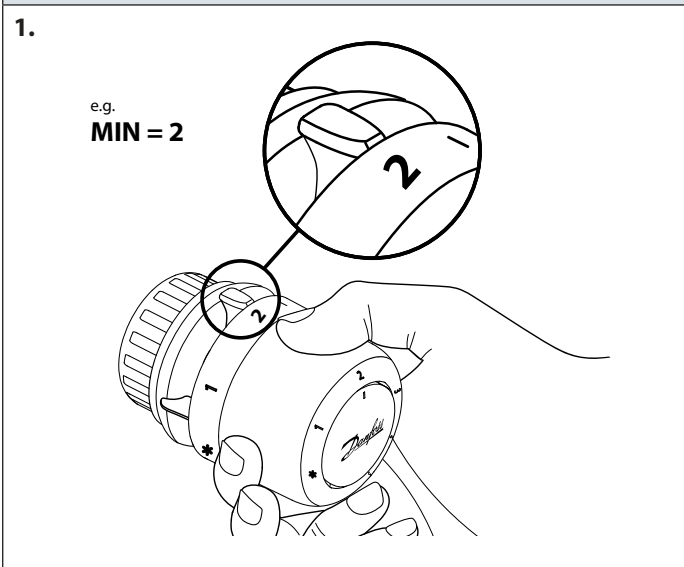


3.



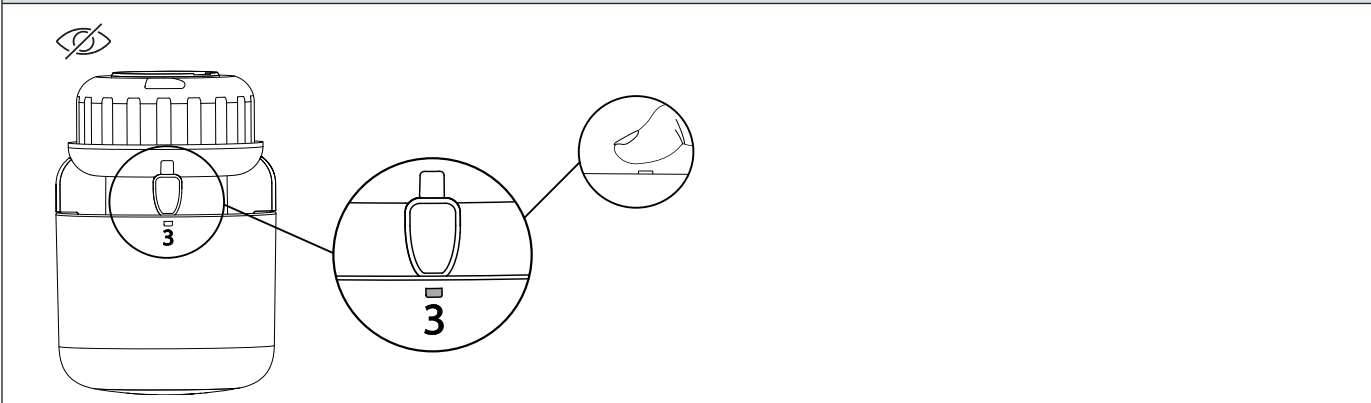
Danfoss Areo® click, remote sensor

Temperature Limitation | Temperaturbegrenzung | Limite de température | Limitación de temperatura (MINIMUM)



	Code no.
	013G1246
	013G1236

Blind mark | Blinde markierung | Marque aveugle | Marca ciega



Danfoss A/S

Climate Solutions • danfoss.com • +45 7488 2222

Any information, including, but not limited to information on selection of product, its application or use, product design, weight, dimensions, capacity or any other technical data in product manuals, catalogues descriptions, advertisements, etc. and whether made available in writing, orally, electronically, online or via download, shall be considered informative, and is only binding if and to the extent, explicit reference is made in a quotation or order confirmation. Danfoss cannot accept any responsibility for possible errors in catalogues, brochures, videos and other material. Danfoss reserves the right to alter its products without notice. This also applies to products ordered but not delivered provided that such alterations can be made without changes to form, fit or function of the product.

All trademarks in this material are property of Danfoss A/S or Danfoss group companies. Danfoss and the Danfoss logo are trademarks of Danfoss A/S. All rights reserved.