

Installation guide

Pre-programmed Controller MCX 15b for IPS 8

Replacement of MCX controller



148R9647

148R9647

Prior to disconnect and remove the old MCX controller it is important to depressurize the ammonia side of the purger unit by following these steps (see fig. 1)

1. Close all supply lines from the purge points of the ammonia system (a)
2. Restart the controller to force pump-down
3. Wait for 20 minutes
4. Stop the compressor by turning the compressor switch QM1 to the off position
5. Close the SVA shut-off valve in the drain line (located under the IPS8 (b))
6. Release the remaining system pressure to ambient pressure by opening the SNV drain valve (c). This can also be done by attaching a permanent magnet on the AKVA 10 valve for forced opening

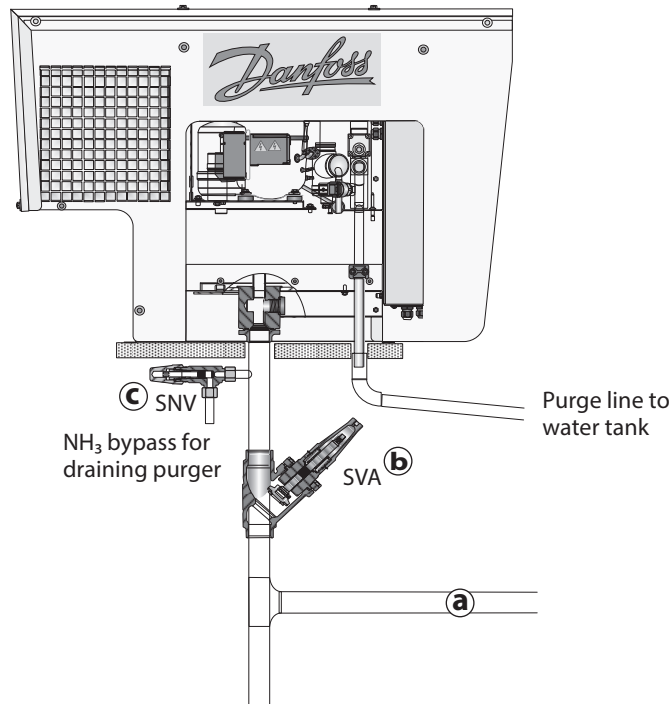


Fig. 1

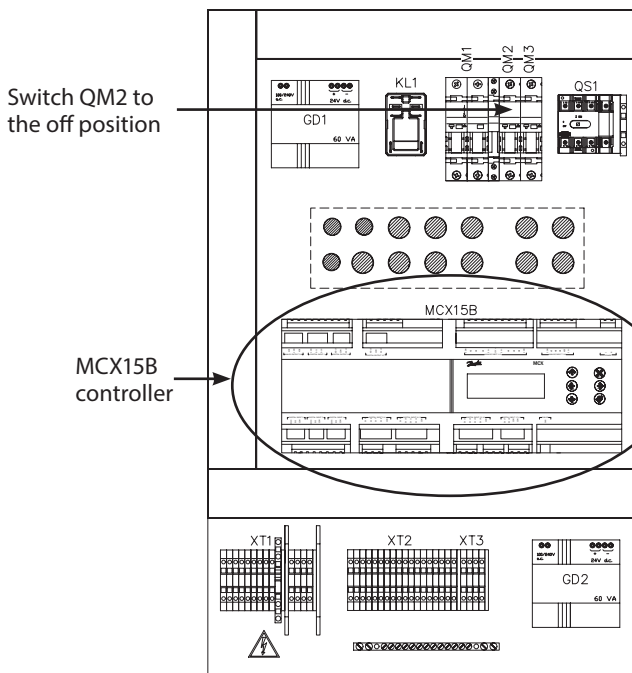


Fig. 2

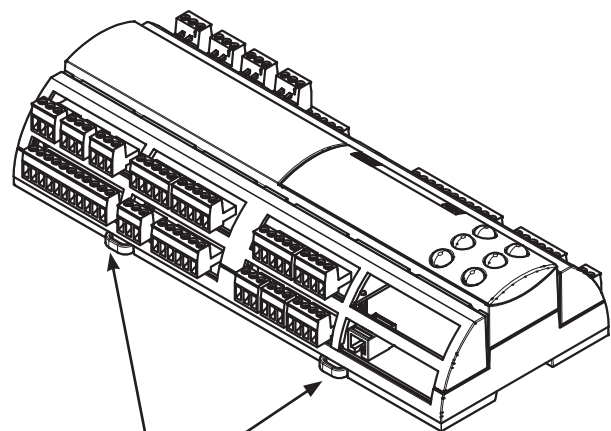


Fig. 3

Імпортер: ТОВ з іі "Данфосс ТОВ" 04080, Київ 80, п/с 168, Україна

Info for UK customers only : Danfoss Ltd., 22 Wycombe End, HP9 1NB, GB



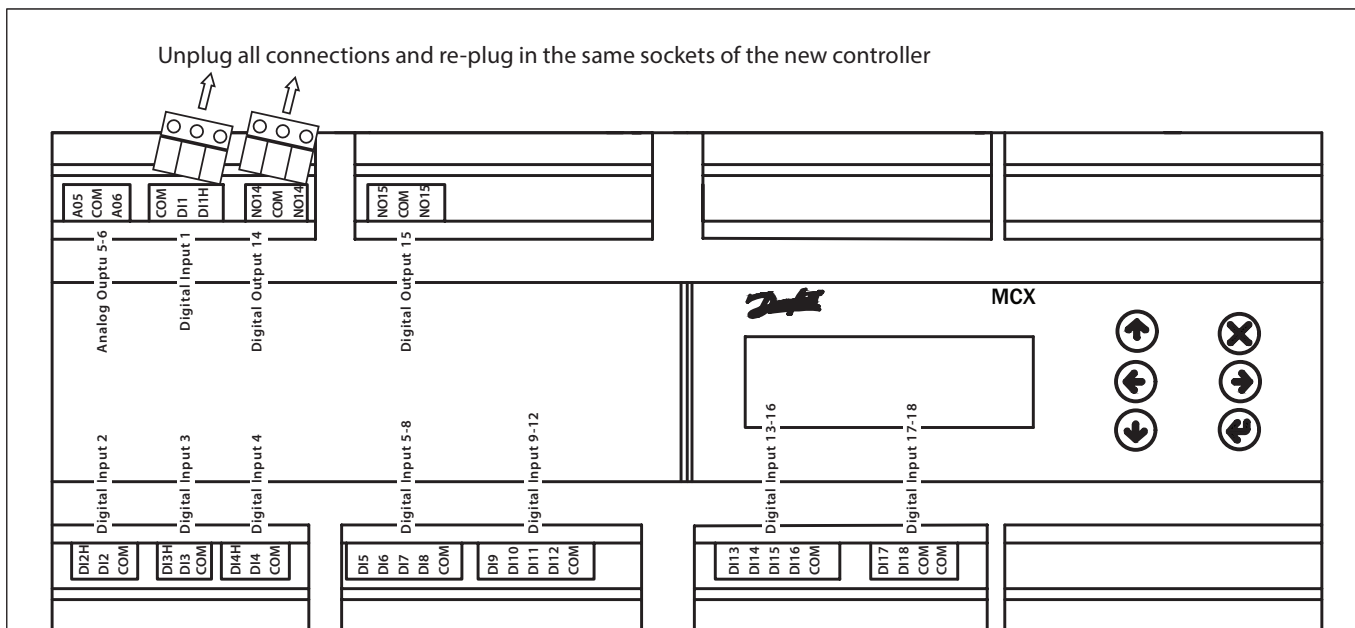


Fig. 4 . Controller Upper level

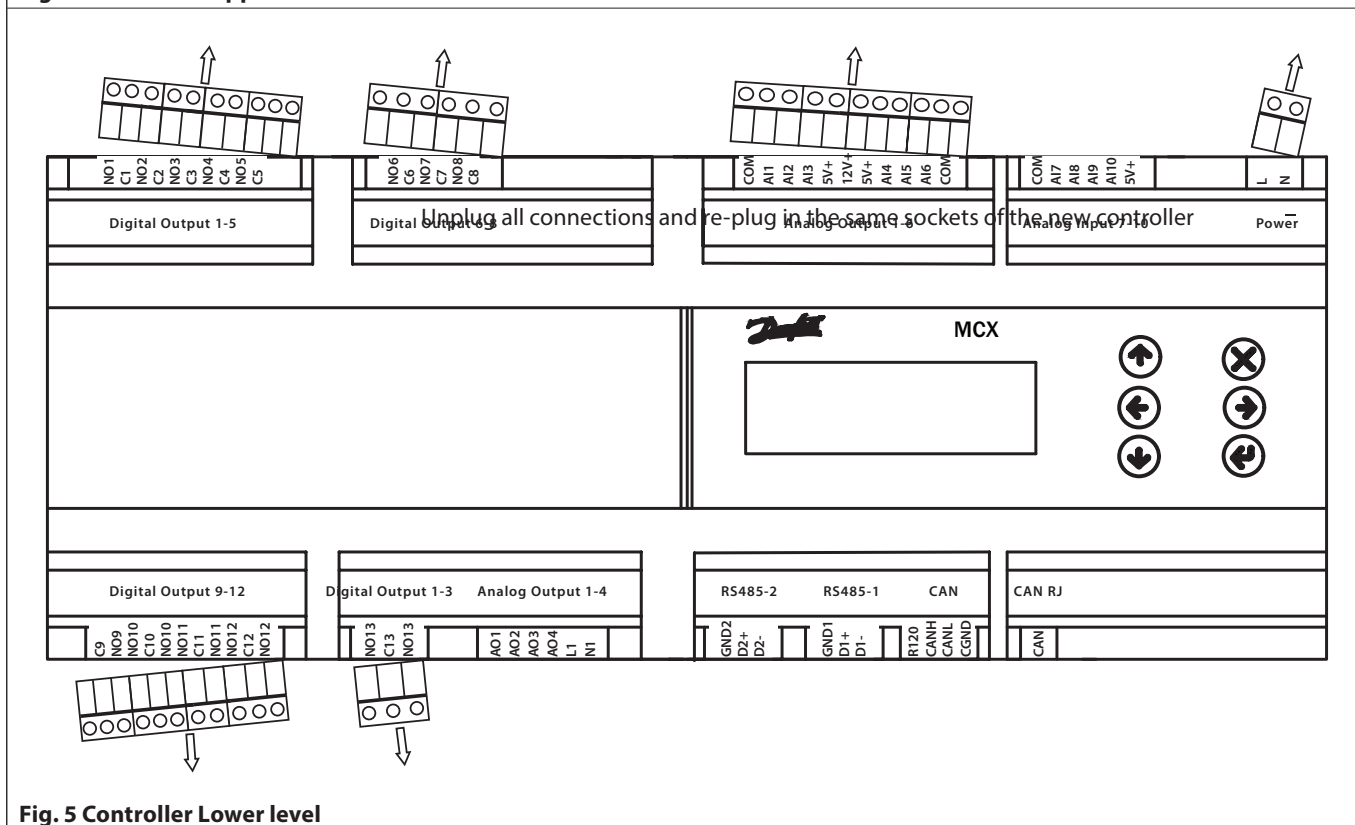


Fig. 5 Controller Lower level

1. Switch **QM2** to the on position
2. Configure the number of purge points (see **IPS 8** user guide):
 - Activate multipurger (label y02)
 - Enter the number of purge points
3. Configure any other customer specific setting:
 - The pre-programmed MCX15B (code **084H5052**) is plug & play ready, and only where customer specific settings are applicable, these values must be entered.

Danfoss A/S
 Climate Solutions • danfoss.com • +45 7488 2222

Any information, including, but not limited to information on selection of product, its application or use, product design, weight, dimensions, capacity or any other technical data in product manuals, catalogues descriptions, advertisements, etc. and whether made available in writing, orally, electronically, online or via download, shall be considered informative, and is only binding if and to the extent, explicit reference is made in a quotation or order confirmation. Danfoss cannot accept any responsibility for possible errors in catalogues, brochures, videos and other material. Danfoss reserves the right to alter its products without notice. This also applies to products ordered but not delivered provided that such alterations can be made without changes to form, fit or function of the product.

All trademarks in this material are property of Danfoss A/S or Danfoss group companies. Danfoss and the Danfoss logo are trademarks of Danfoss A/S. All rights reserved.