

Installation guide

Thermostatic expansion valve Type TR6

067R9508

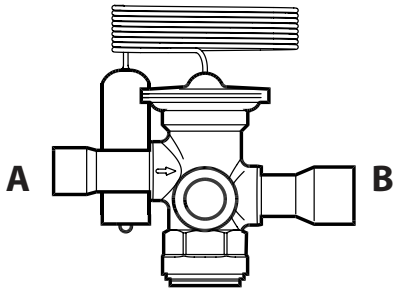


067R9508



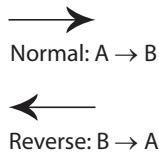
Refrigerants:
R22/R407C, R410A, R32 and R454B

Max. working pressure:
PS / MWP = 49 bar / 711 psig

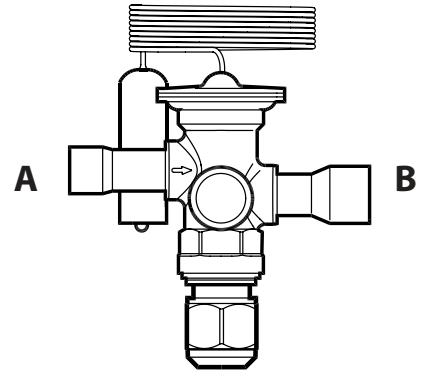


Fixed setting

Flow direction:



$Q_{nom. A \rightarrow B}$ [kW / TR] = 100%
 $Q_{nom. B \rightarrow A}$ [kW / TR] = 80%



Adjustable setting

Max. 100 °C / 212 °F

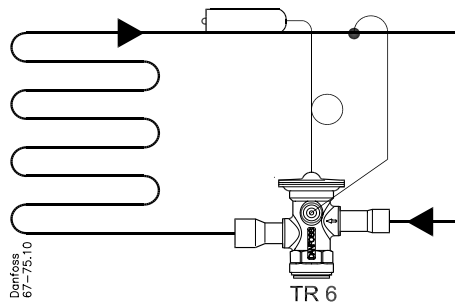
Max. 130 °C / 265 °F

Short-lived peak 150 °C / 300 °F

R22 / R407C MAH:	Max. 100 °C / 212 °F
R410A MAH:	Max. 75 °C / 167 °F
R410A LAH:	120 °C / 248 °F
R32 LAH:	120 °C / 248 °F
R454B LAH:	115 °C / 239 °F

Min. 5% Ag

1, 2, 3

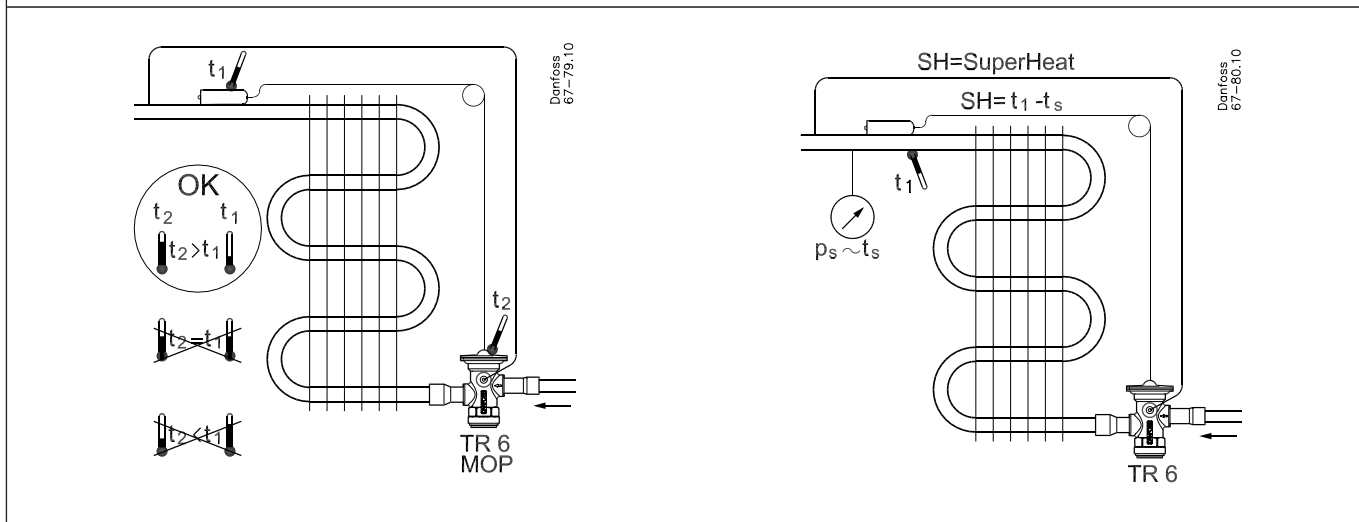
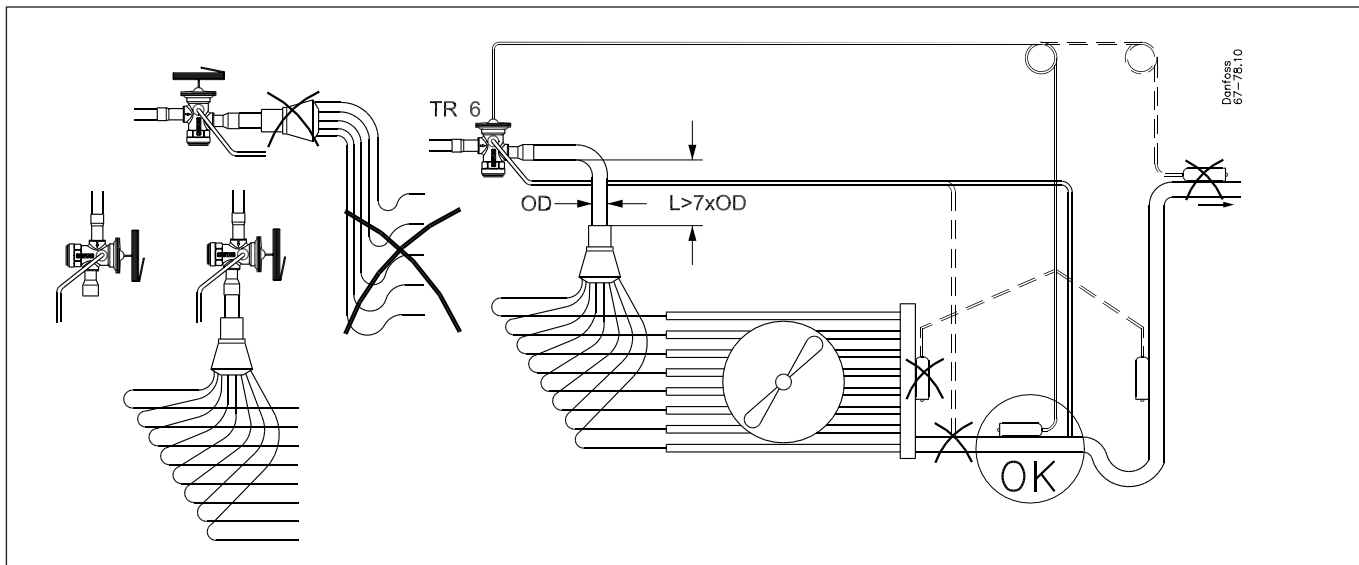


118°-29mm
118°-32mm

118°-29mm
118°-31mm

3/8 - 5/8 in.
10 - 16 mm

3/4 - 1 1/4 in.
18 - 32 mm



Danfoss 67-81.11

Torque = 10 Nm / 7 ft-lb

⊕ ⊖

$\Delta SH / 1 \text{ turn} / 360^\circ \approx$

R22 / R407C MAH: 1.0 °C / 1.8 °F

R410A MAH: 0.8 °C / 1.1 °F

R410A LAH: 1.4 °C / 2.5 °C

R32 LAH: 1.4 °C / 2.5 °C

R454B LAH: 1.3 °C / 2.3 °F

Factory setting

R22/R407C MAH
SS = 4 K or according to customer specification

R410A MAH & LAH
SS = 3 K or according to customer specification

R32 LAH
SS: 3K or according to customer specification

R454B LAH
SS: 3K or according to customer specification

Refrigerant	Number of turns from SS to tight spring	Number of turns from SS to loose spring
R22 / R407C MAH	+7.25	-4.25
R410A MAH	+9.5	-2
R410A LAH	+4.75	-4
R32 LAH	+5.25	-3.5
R454B LAH	+4	-4.25

Danfoss A/S
Climate Solutions • danfoss.com • +45 7488 2222

Any information, including, but not limited to information on selection of product, its application or use, product design, weight, dimensions, capacity or any other technical data in product manuals, catalogues descriptions, advertisements, etc. and whether made available in writing, orally, electronically, online or via download, shall be considered informative, and is only binding if and to the extent, explicit reference is made in a quotation or order confirmation. Danfoss cannot accept any responsibility for possible errors in catalogues, brochures, videos and other material. Danfoss reserves the right to alter its products without notice. This also applies to products ordered but not delivered provided that such alterations can be made without changes to form, fit or function of the product.

All trademarks in this material are property of Danfoss A/S or Danfoss group companies. Danfoss and the Danfoss logo are trademarks of Danfoss A/S. All rights reserved.