

Installation Guide

Danfoss Regus[®] RA nut with RA-FN, RA-N or RA-IN

Danfoss Regus[®] RA nut + Valve / 015G5301
 015G5302
 015G5303
 015G5304
 015G5305
 015G5306
 015G5311



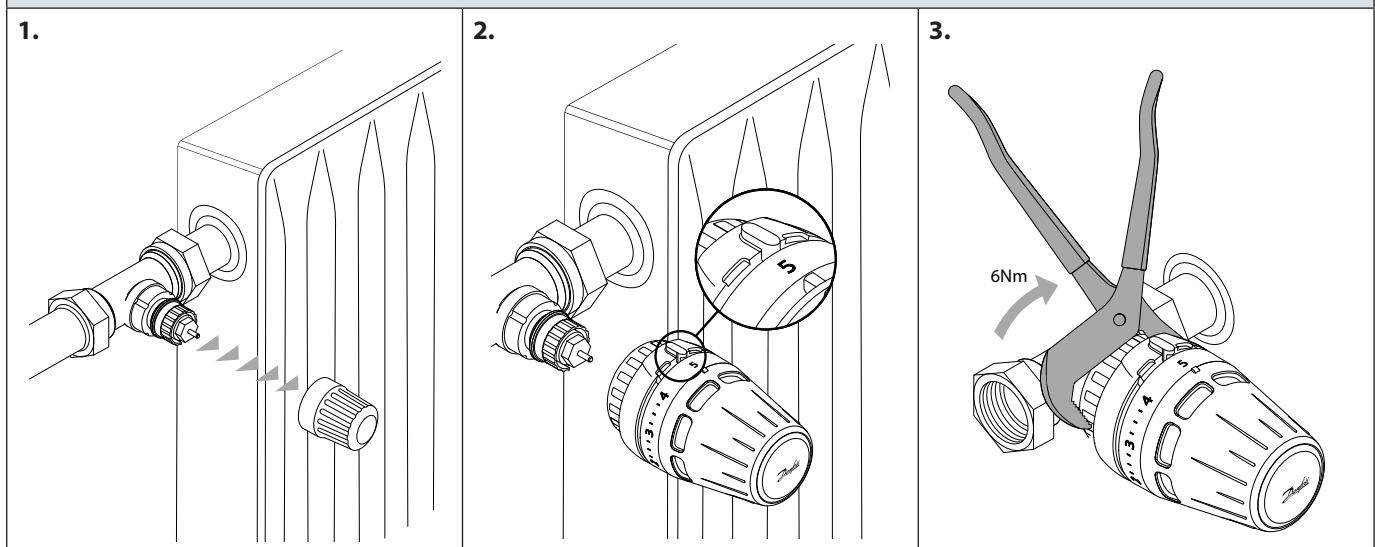
VALVE Installation Montage Installation Instalación														
<p>1.</p>	<p>2.</p>	<p>2.</p>												
LOCKSHEILD Installation Montage Installation Instalación														
<p>4.</p>	<p>5.</p>	<p>6.</p> <table border="1" style="width: 100%; margin-top: 10px;"> <thead> <tr> <th></th> <th>Min. [Nm]</th> <th>Max. [Nm]</th> </tr> </thead> <tbody> <tr> <td> DN10 3/8" </td> <td>40</td> <td>60</td> </tr> <tr> <td> DN15 1/2" </td> <td>60</td> <td>90</td> </tr> <tr> <td> DN20 3/4" </td> <td>80</td> <td>120</td> </tr> </tbody> </table>		Min. [Nm]	Max. [Nm]	 DN10 3/8"	40	60	 DN15 1/2"	60	90	 DN20 3/4"	80	120
	Min. [Nm]	Max. [Nm]												
 DN10 3/8"	40	60												
 DN15 1/2"	60	90												
 DN20 3/4"	80	120												

Danfoss Regus® RA nut with RA-FN, RA-N or RA-IN

Presetting table | Voreinstelltablelle | Tableau de prééréglage | Tabla de preajuste

Code Number: Danfoss Regus® 015G5303 015G5304	ΔT			Code Number: Danfoss Regus® 015G5305 015G5306	ΔT			
	10K	15K	20K		10K	15K	20K	
	~Watt				~Watt			
	100	200	250		1	200	300	
250	400	550	2	350	500	700	2	
400	650	850	3	900	1350	1800	3	
650	950	1300	4	1250	1900	2550	4	
900	1350	1800	5	1900	2900	3850	N	
1150	1750	2300	6					
1350	2050	2750	7					
1900	2900	3850	N					
Δp=10kPa								

SENSOR Installation | Montage | Installation | Instalación



Danfoss A/S

Climate Solutions • danfoss.com • +45 7488 2222

Any information, including, but not limited to information on selection of product, its application or use, product design, weight, dimensions, capacity or any other technical data in product manuals, catalogues descriptions, advertisements, etc. and whether made available in writing, orally, electronically, online or via download, shall be considered informative, and is only binding if and to the extent, explicit reference is made in a quotation or order confirmation. Danfoss cannot accept any responsibility for possible errors in catalogues, brochures, videos and other material. Danfoss reserves the right to alter its products without notice. This also applies to products ordered but not delivered provided that such alterations can be made without changes to form, fit or function of the product.

All trademarks in this material are property of Danfoss A/S or Danfoss group companies. Danfoss and the Danfoss logo are trademarks of Danfoss A/S. All rights reserved.