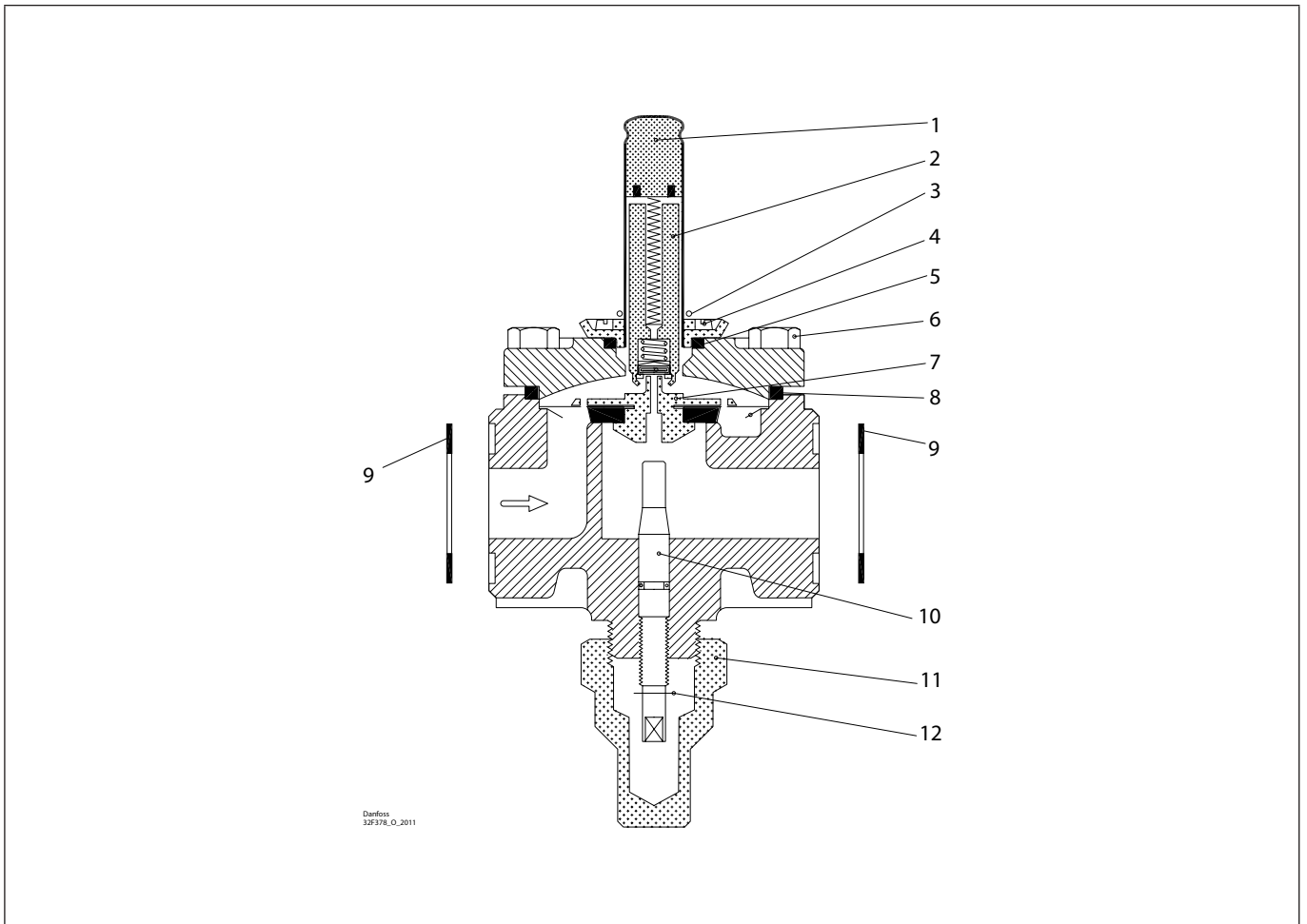


Installation guide – Spare parts and accessories

Overhaul kit | Code number 032F2209

EVRA, size 15 (previous design)



|                                      |  |  |                                       |   |                                       |
|--------------------------------------|--|--|---------------------------------------|---|---------------------------------------|
| <p><b>1</b></p> <p>Total no. = 1</p> | <p><b>2</b> For AC/DC</p> <p>Total no. = 1</p> | <p><b>3</b></p> <p>Total no. = 1</p>         | <p><b>4</b></p> <p>Total no. = 4</p>  | <p><b>5</b> = Rubber</p> <p>Total no. = 1</p> | <p><b>6</b></p> <p>Total no. = 4</p>  |
| <p><b>7</b></p> <p>Total no. = 1</p> | <p><b>8</b> = Rubber</p> <p>Total no. = 1</p>  | <p><b>9</b> = Fibre</p> <p>Total no. = 2</p> | <p><b>10</b></p> <p>Total no. = 1</p> | <p><b>11</b></p> <p>Total no. = 1</p>         | <p><b>12</b></p> <p>Total no. = 1</p> |