

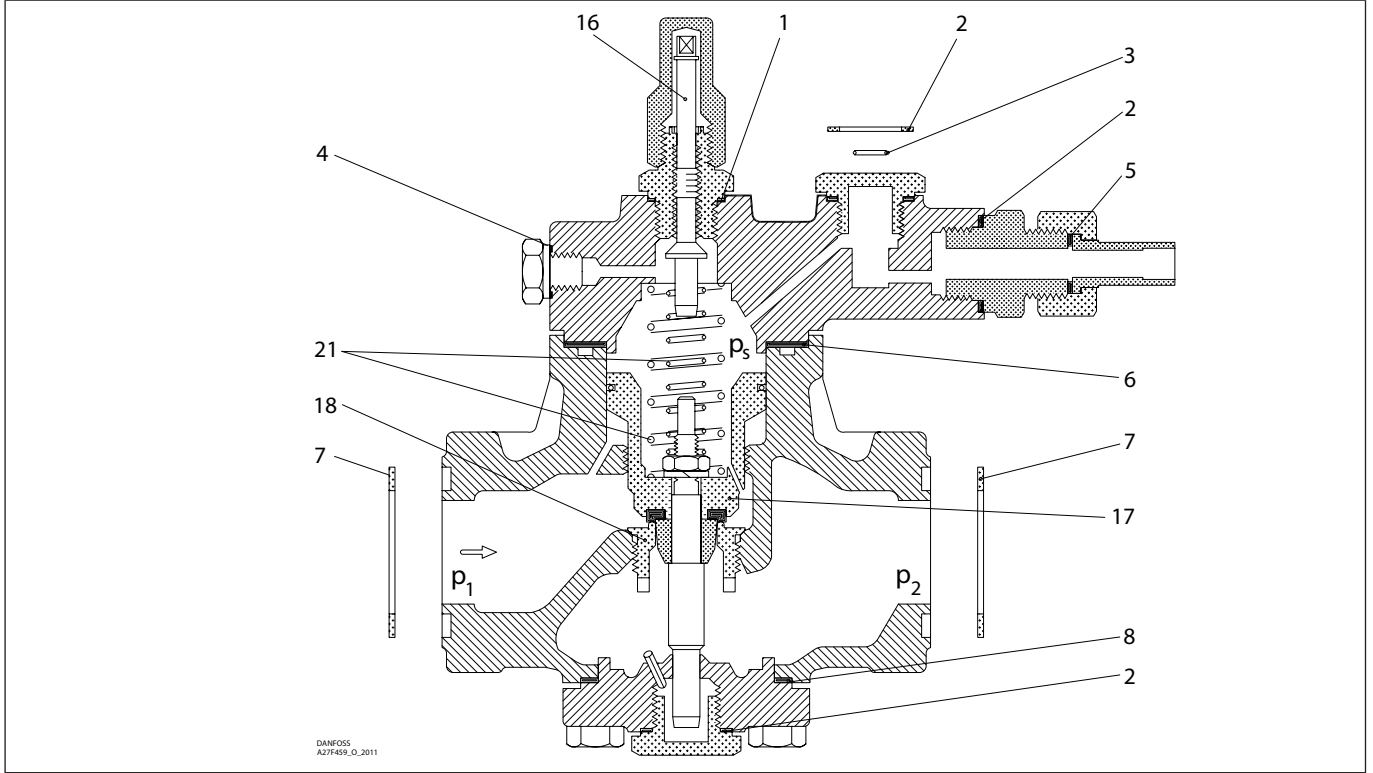
Installation Guide

# Overhaul kit

PMFL, size 300 | Code number 027F0639

027R9898

027R9898



<p><b>1</b></p> <p>Alu.</p> <p>Ø26 mm Ø1.02"</p> <p>Total no. = 1</p>	<p><b>2</b></p> <p>Fibre</p> <p>Ø33 mm Ø1.28"</p> <p>Total no. = 4</p>	<p><b>3</b></p> <p>Ø9 mm Ø0.36"</p> <p>Total no. = 3</p>	<p><b>4</b></p> <p>Alu.</p> <p>Ø18 mm Ø0.70"</p> <p>Total no. = 1</p>	<p><b>5</b></p> <p>Alu.</p> <p>Ø14 mm Ø0.55"</p> <p>Total no. = 1</p>	<p><b>6</b></p> <p>Fibre</p> <p>Ø105 mm Ø4.13"</p> <p>Total no. = 1</p>
<p><b>7</b></p> <p>Fibre</p> <p>Ø76 mm Ø2.99"</p> <p>Total no. = 2</p>	<p><b>8</b></p> <p>Fibre</p> <p>Ø92 mm Ø3.62"</p> <p>Total no. = 1</p>	<p><b>9*</b></p> <p>Alu.</p> <p>Ø32 mm Ø1.26"</p> <p>Total no. = 1</p>	<p><b>10*</b></p> <p>Alu.</p> <p>Ø22 mm Ø0.87"</p> <p>Total no. = 1</p>	<p><b>16</b></p> <p>26 mm 1.02"</p>	<p><b>17</b></p> <p>Ø80 mm Ø3.14"</p>
<p><b>18</b></p> <p>Ø37 mm Ø1.46"</p>	<p><b>21</b> Standard</p> <p>Ø17 mm Ø0.67"</p> <p>Ø35 mm Ø1.38"</p> <p>1 set</p>				

\* The spare part is included in the package but is not used for PMFL size 300.

For identification and installation of Weak and Strong spring sets please see Installation guide DKRCI.PI.GE1.C