

Detex Corporation, 302 Detex Drive, New Braunfels, Texas 78130 (830)629-2900 /1-800-729-3839 /FAX(830)620-6711  
Addendum to 03WS (Outside Lever Trim) Instructions

This addendum is for use on 2" narrow stile glass doors using the 03WS Trim Devices.

**CAUTION: If you are using 03WS trim on a 2" narrow stile glass door, DO NOT USE THE PROVIDED STRIKE LOCATOR.** (All other narrow trims can use the narrow strike locator, provided in the Strike Kit.)

To install 03WS device without a strike locator:

INSIDE DOOR FACE:

1. Mark a line 1" from the edge of the door (See Fig. 1).

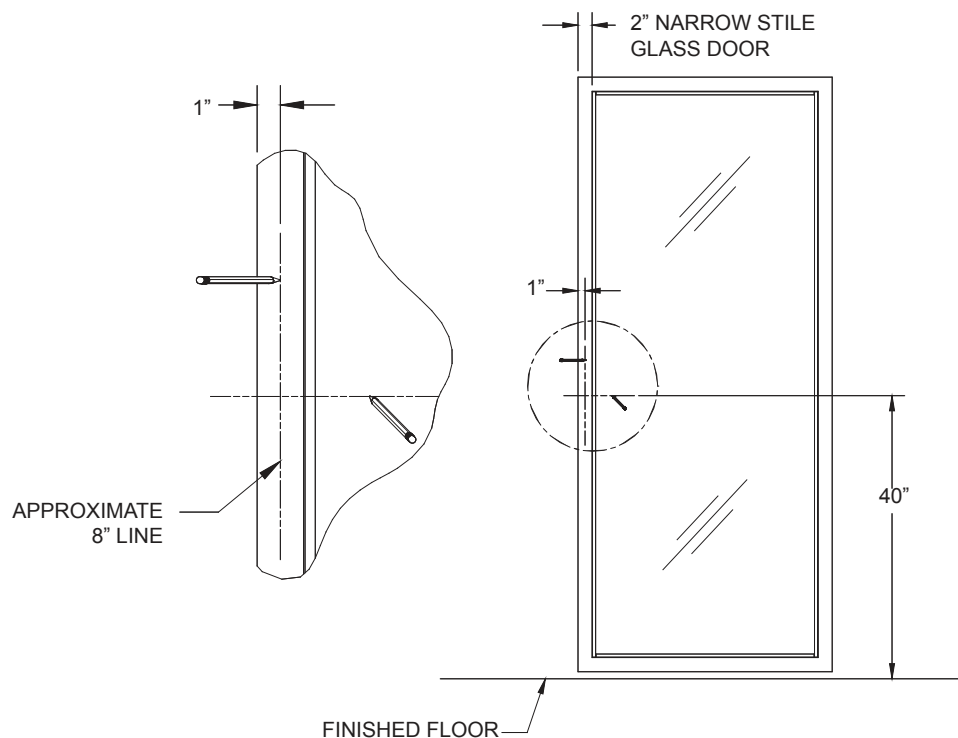


Fig. 1

2. Block door shut. (Perform steps 3 through 8 inside door.)
3. Detex recommends the device to be mounted 40" above the finished floor. Mark the 40" centerline of the device across the door and frame. (See Fig. 2)

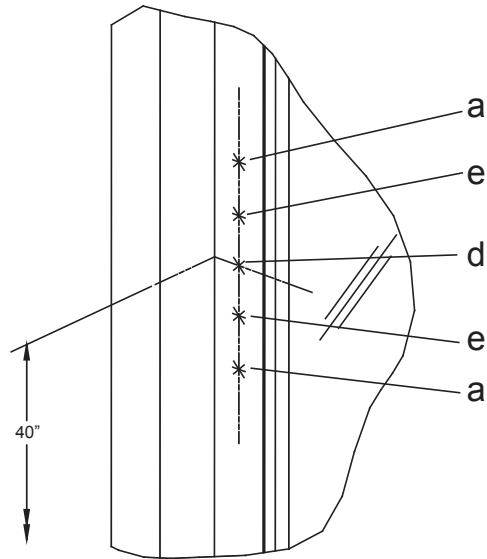


Fig. 2

4. Place back plate on door stile. Use the 1" line and center holes (a & e) on back plate. Align cam center to mark "d" for proper height. (See Fig. 3)

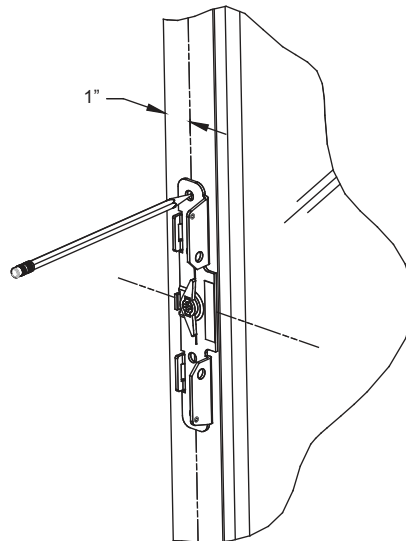


Fig. 3

5. Mark and center punch 5 holes "a" "d" & "e".

6. Slide the strike against the blocked door. (See Fig. 4)

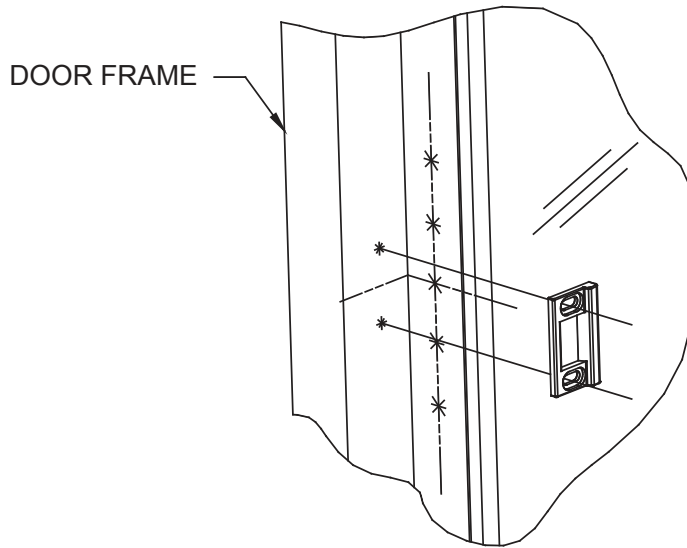


Fig. 4

7. Mark and center punch 2 strike holes. (See Fig. 5)

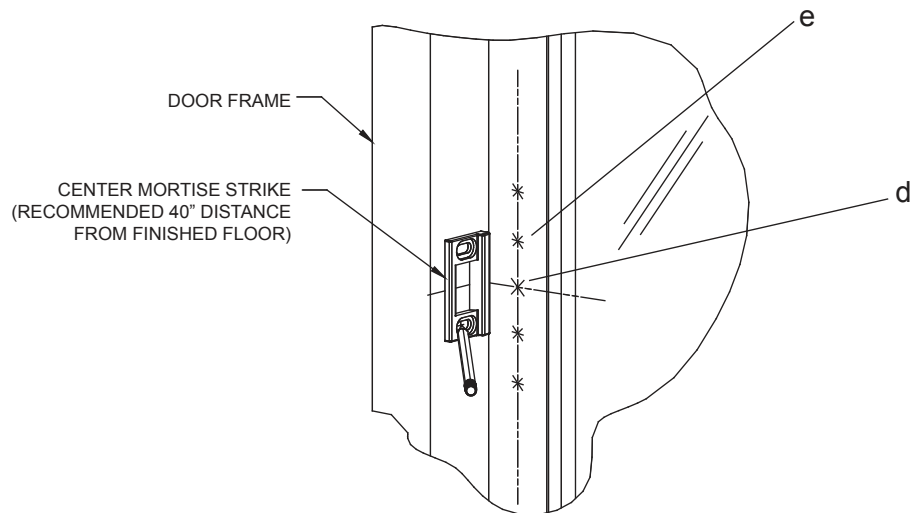


Fig. 5

8. Drill one pilot hole "e" thru door (See Fig. 5).

NOTE: DRILL STRAIGHT AND LEVEL

OUTSIDE DOOR FACE:

9. Place back plate on door (use as template).
10. Center the back plate on pilot hole "e" and align back plate vertically.
11. Mark the cam center "d". Mark and center punch the other hole "e".
12. Make a new mark 1/4" higher than the cam center (just marked). This will be the mark for the 1 3/4" outside cylinder hole "f".
13. Drill a pilot hole through the door for "e" and "f".








NOTE: DRILL STRAIGHT AND LEVEL

14. Using a 1 3/4" hole saw, cut through outside door face at "f".

**NOTE: USE EXTREME CAUTION WHEN DRILLING 1 3/4" HOLE. TIGHT TOLERANCE, NO MARGIN FOR ERROR.**

INSIDE DOOR FACE:

15. Drill 3/4" hole through inside door face at "d".
16. Using a 5/16" drill bit, enlarge the two holes "e" through door.
17. See Fig. T6. Drill back plate mounting holes "a" per chart. **CAUTION: Holes "a" are drilled inside only.**

Backplate Mounting Holes "a"			Trim Holes "e"		
1/4-20 Machine Screw	#14 Wood Screw	#14 Sheet Metal Screw	1/4-20 Machine Screws	Door Thickness	Screw Length 1/4-20
 # 7	 3/16"	 # 7	 5/16	1 3/8"	2"
OR  13/64		OR		1 3/4"	2 1/4"
 1/4-20		 13/64		2" or 2 1/4"	* 3"

\* Cut to length

Fig. T6

**Go to Instructions P/N 101257 (03WS Installation Instructions)**

Complete Page 2 "Preparing the Trim".

Skip Page 3

Complete Page 4 "Assembling the Outside Trim....."

Resume with Panic Hardware Instruction #15.