



Detex Corporation, 302 Detex Drive, New Braunfels, Texas 78130-3045
 830-629-2900 / 800-729-3839 / Fax 800-653-3839 / Text photos only: 830-481-6433 / INTERNET: www.detex.com

INSTALLATION INSTRUCTIONS FOR 02Z & 03Z ANTI-VANDAL TRIM

02Z ANTI-VANDAL TRIM P/N: 105640
 03Z ANTI-VANDAL TRIM P/N: 105650

Table of Contents	Page
Device parts breakdown view & part numbers.....	2
Trim Prep, Door Prep - Interior Door Face.....	3
Door Prep - Exterior Door Face, Install Trim.....	4

Should you have a Question/Problem with your Detex device please call Detex Technical Support from job site at 1-800-729-3839 and choose option 2 on our menu. Please do not return the product to the distributor.

**For WARRANTY information,
 scan code below or
 go to www.detex.com/warranty**

**For device installation videos,
 scan code below or
 go to www.detex.com/videos**



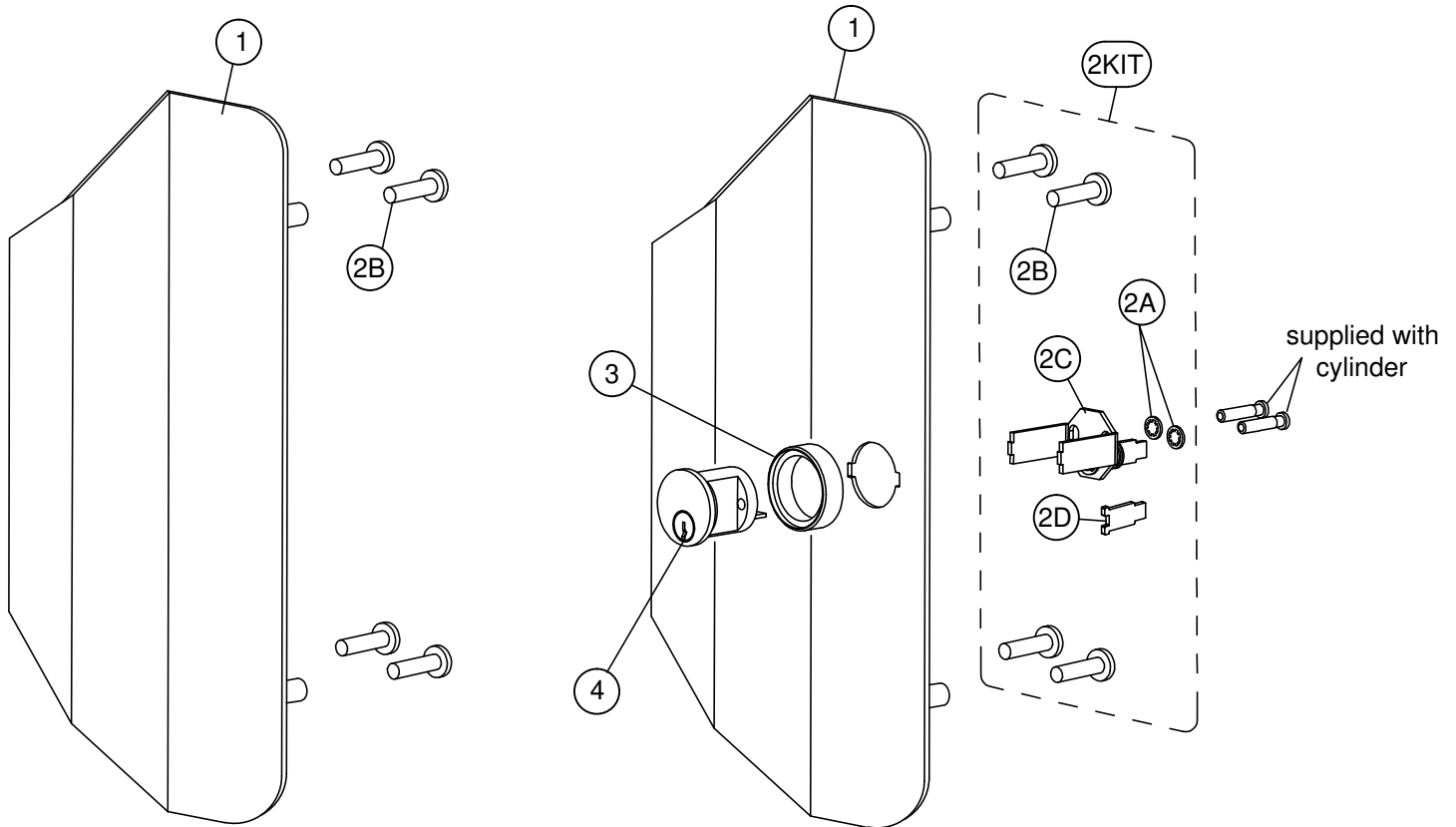
Owner's Copy



PARTS BREAKDOWN			
Item	P/N	QTY	Description
1	105641-630	1	TRIM, 02Z, ANTI-VANDAL
	105649-LHR-630		TRIM, 03Z, ANTI-VANDAL, LHR
	105649-RHR-630		TRIM, 03Z, ANTI-VANDAL, RHR
2KIT	105646-2	1	KIT, 03Z TRIM
2A	PP-5066-12	2	LOCKWASHER, #12
2B	100980	4	SCREW, 1/4-20 x 1
2C	101454-1	1	TAILPIECE ASSEMBLY, RIM, 03WS
2D	101480-1	1	TAILPIECE, 03 WSN (for 2-1/4" thick door)
3	100752-9	1	CYLINDER COLLAR, TALL
4	ECL-445-7-X	1	CYLINDER, 5 PIN RIM (sold separately)
	IC7R-626		CYLINDER, 7 PIN RIM (sold separately)

FOR ITEM 4
"-X" REFERS TO
KEY CODE
AA-KK

Your particular part or configuration may not be shown:
Contact Detex technical support at 800-729-3839 (option 2)



02Z

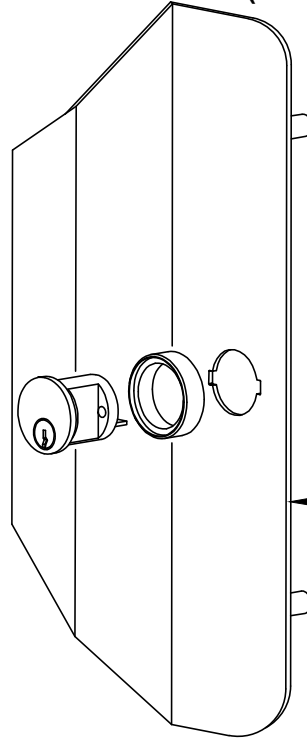
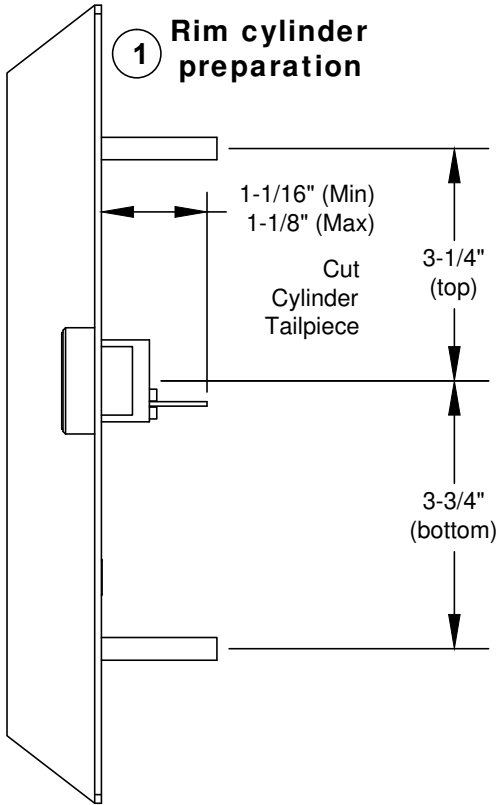
03Z

- Tools Required:
 Safety glasses
 Tape measure
 Pencil
 Hammer
 Center punch
 Drill
 3/8" drill bit
 1-1/2" Hole saw (for 03Z)
 3/4" drill bit (for 03Z)
 Screwdriver

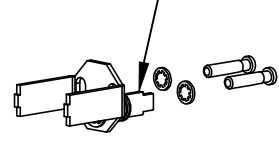
03Z Trim Prep

(No prep necessary for 02Z trims)

2 Install cylinder and tailpiece assembly (LHR shown, RHR opposite)



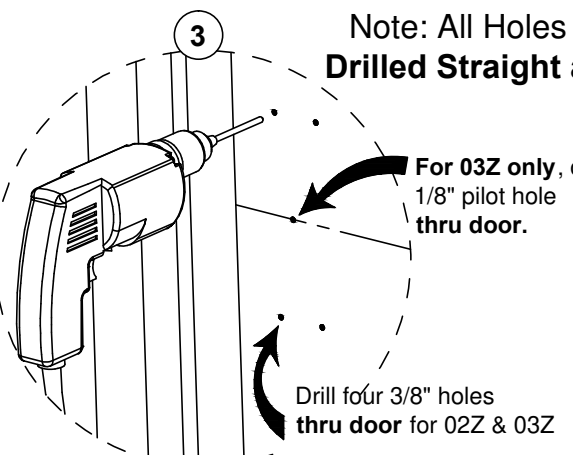
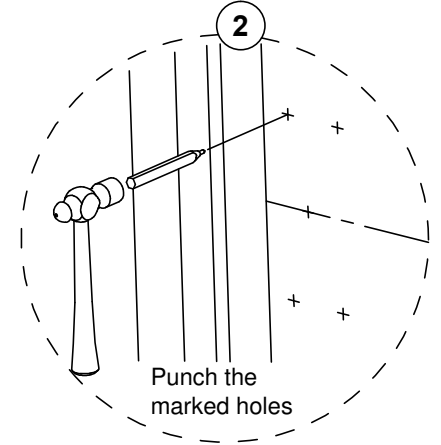
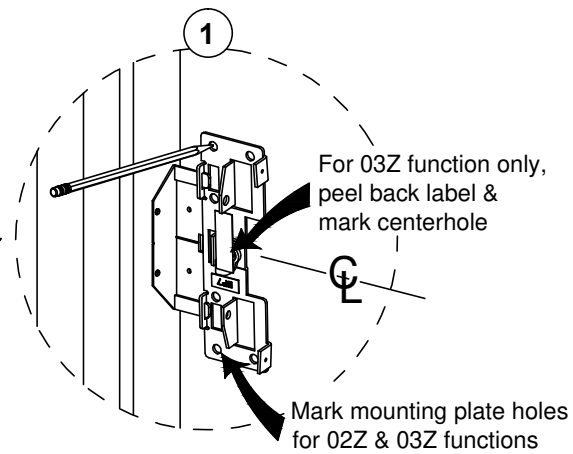
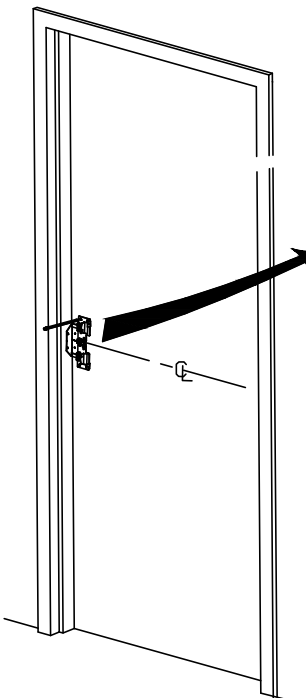
Tailpiece Used	Door Thickness
	1-3/4" and 2" Thick Doors (installed)
	2-1/4" Thick Doors (in hardware kit)



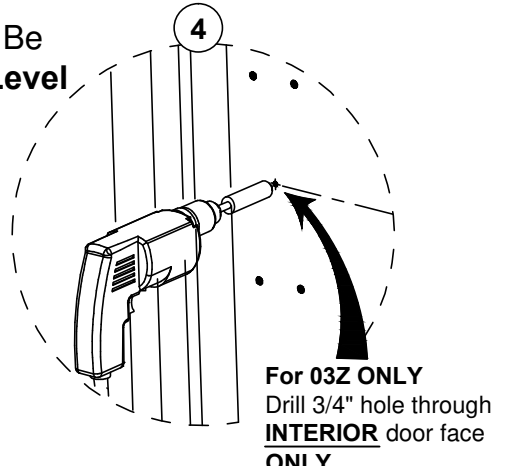
Replace the installed tailpiece with the longer one in the hardware kit if being installed on 2-1/4" thick door

THIS EDGE TOWARDS LATCH SIDE OF DOOR

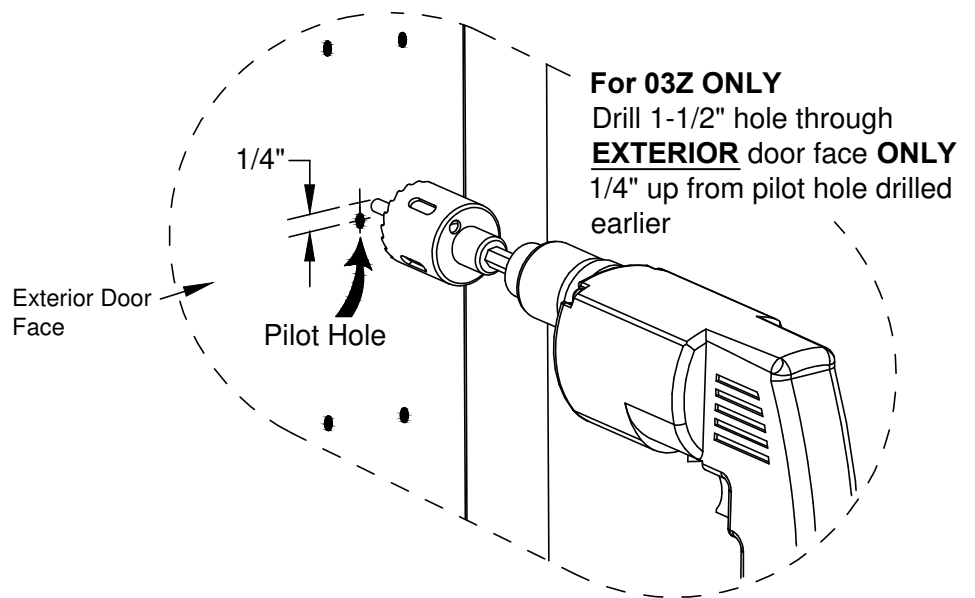
Door Prep - Interior Door Face (LHR shown)



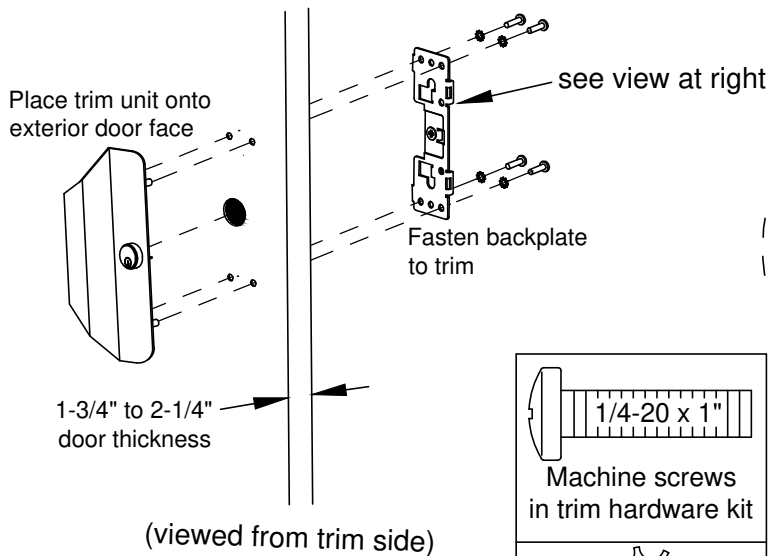
Note: All Holes Must Be Drilled Straight and Level



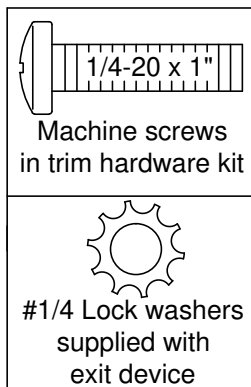
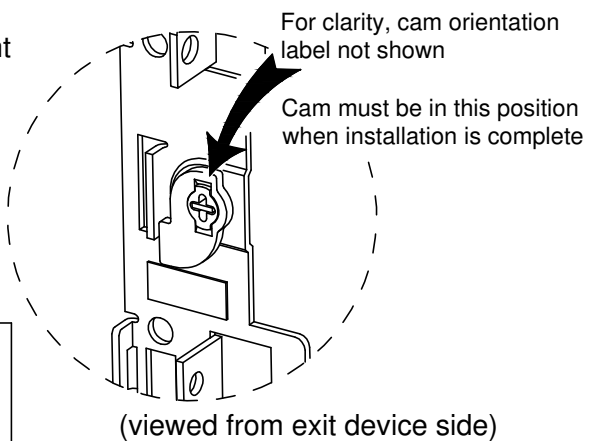
Door Prep - Exterior Door Face - 03Z only (LHR shown)



Install Trim (03Z shown)



Be sure to engage trim
tailpiece to cam on mounting
plate (with key out of cylinder)



Continue with Exit
Hardware Instructions