



Detex Corporation, 302 Detex Drive, New Braunfels, Texas 78130-3045
830-629-2900 / 800-729-3839 / Fax 800-653-3839 / Text photos only: 830-481-6433 / INTERNET: www.detex.com

INSTALLATION INSTRUCTIONS FOR MORTISE 01 & 02CM OUTSIDE TRIMS

DWG #: 103335 (01CM)
103345 (02CM)

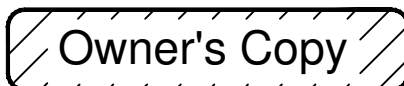
Table of Contents	Page
Device parts breakdown view & part numbers.....	2
Door Prep - Trim Side, Prep & Install Trim & Backplate.....	3

TOOLS AND SUPPLIES

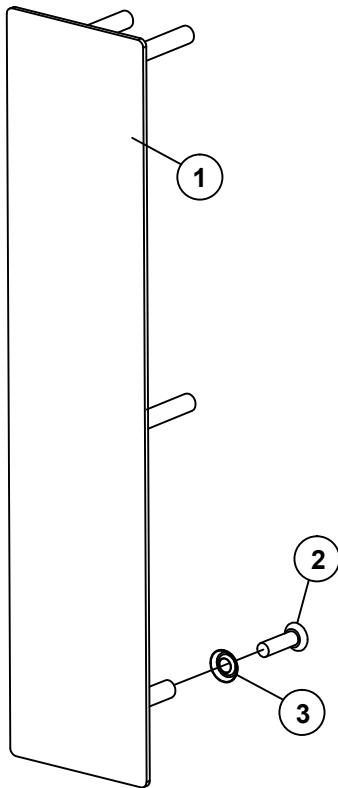
- Safety Glasses
- (Always put on safety glasses prior to beginning installation of unit)**
- Pencil
- Center Punch
- Hammer
- Drill Motor
- Drill Bits & Taps
- Screw Driver (Phillips Drive)
- Tape Measure

For WARRANTY information,
scan code below or
go to www.detex.com/warranty

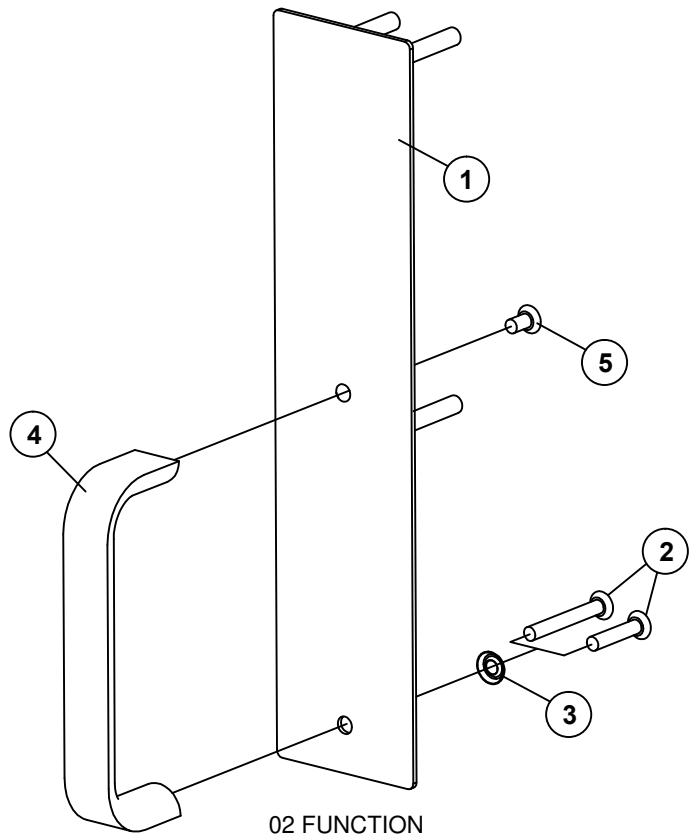
For device installation videos,
scan code below or
go to www.detex.com/videos



ITEM	PART NO.	QTY	DESCRIPTION
1	102219-9	1	TRIM PULLPLATE, 01, (BLANK), BRUSHED STAINLESS STEEL FINISH (630)
	102218-9		TRIM PULLPLATE, 02 (W/PULL), BRUSHED STAINLESS STEEL FINISH (630)
2	102271-116	1	SCREW, MACH, 1/4-20 X 1", PFH, STAINLESS STEEL (01)
	102271-136		SCREW, MACH, 1/4-20 X 2-1/4", PFH, STAINLESS STEEL (02)
	102271-144		SCREW, MACH, 1/4-20 X 2-3/4", PFH, STAINLESS STEEL (02)
3	102272-2	1	WASHER, #14, FINISHED, STAINLESS STEEL
4	102235-9	1	PULL, 02C
5	102264-1	1	SCREW, MACH, 1/4-20 X 1/2" UNDERCUT, PFH (02)



01 FUNCTION



02 FUNCTION

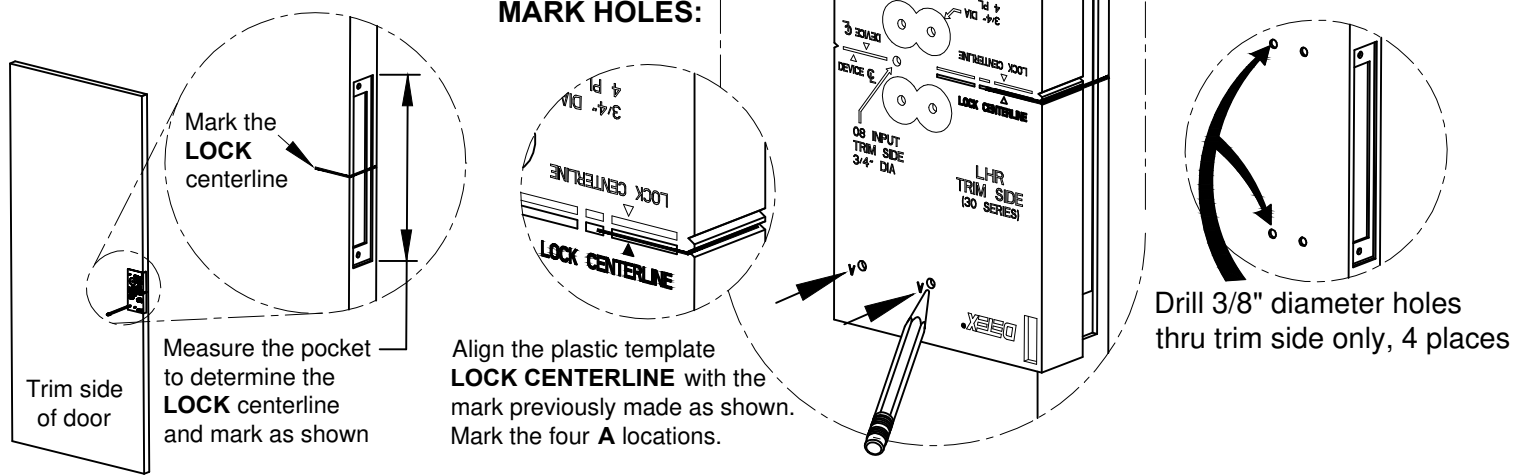
STEP 1: PREP DOOR

MARK & DRILL HOLES - TRIM SIDE:

Use plastic template to mark TRIM holes (LHR shown)

NOTE: The height from the finished floor to the trim/device centerline that Detex recommends is 40".

If unsure of trim/device centerline location, use the method below and at right to determine correct trim location.



STEP 2: PREP & INSTALL TRIM

Note: Steps 2A through 2C are for 02CM (trim with pull) installation.
For 01CM (trim without pull) installation, skip to step 2D

