



Detex Corporation, 302 Detex Drive, New Braunfels, Texas 78130-3045
 830-629-2900 / 800-729-3839 / Fax 800-653-3839 / Text photos only: 830-481-6433 / INTERNET: www.detex.com

INSTALLATION INSTRUCTIONS FOR 03WM TRIM

DWG #: 103290

Table of Contents	Page
Device parts breakdown view & part numbers.....	2
Door Prep - Trim Side, Install Trim, Install Mortise Lock....	3
Install Mortise Cylinder, Secure Cylinder.....	3

TOOLS AND SUPPLIES

- Safety Glasses
- (Always put on safety glasses prior to beginning installation of unit)**
- Pencil
- Center Punch
- Hammer
- Drill Motor
- Drill Bits & Taps
- Screw Driver (Phillips Drive)
- Tape Measure

For **WARRANTY** information,
 scan code below or
 go to www.detex.com/warranty

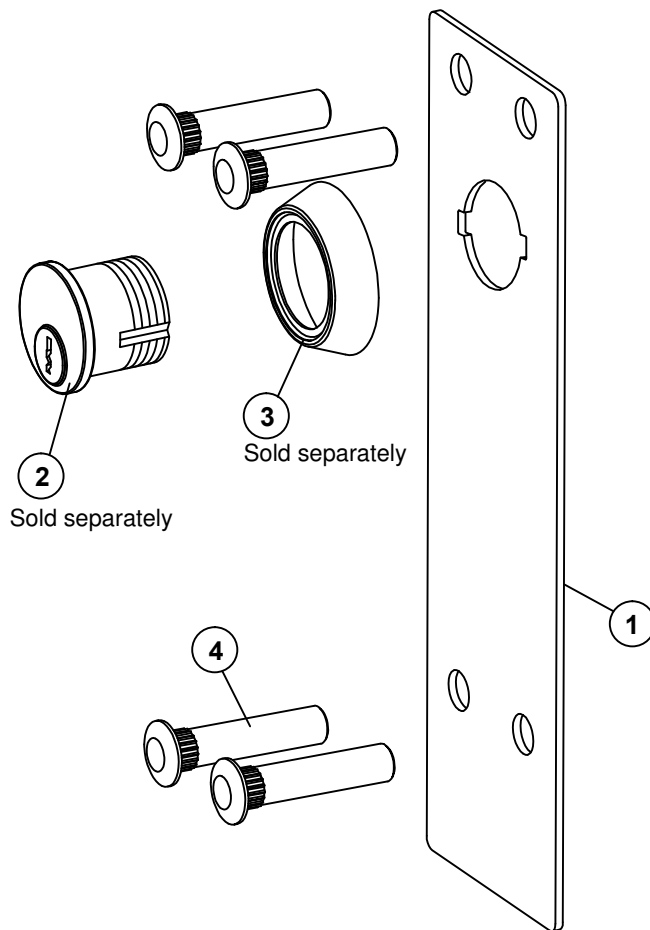
For device installation videos,
 scan code below or
 go to www.detex.com/videos



Owner's Copy



ITEM	PART NO.	QTY	DESCRIPTION
1	103291-9	1	TRIM PLATE, 03WM, BRUSHED STAINLESS STEEL FINISH (630)
2	102281-X	1	CYLINDER, MORTISE, 5 PIN
3	100752-X	1	CYLINDER COLLAR, TALL
4	100464-9	4	SEX NUT, 1/4-20



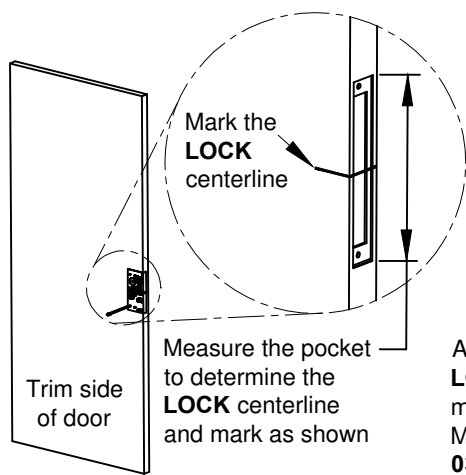
STEP 1: PREP DOOR

MARK & DRILL HOLES - TRIM SIDE:

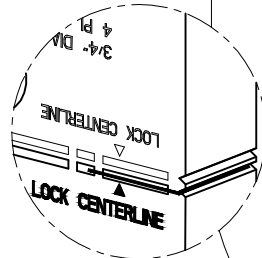
Use plastic template to mark TRIM holes (LHR shown)

NOTE: The height from the finished floor to the trim/device centerline that Detex recommends is 40".

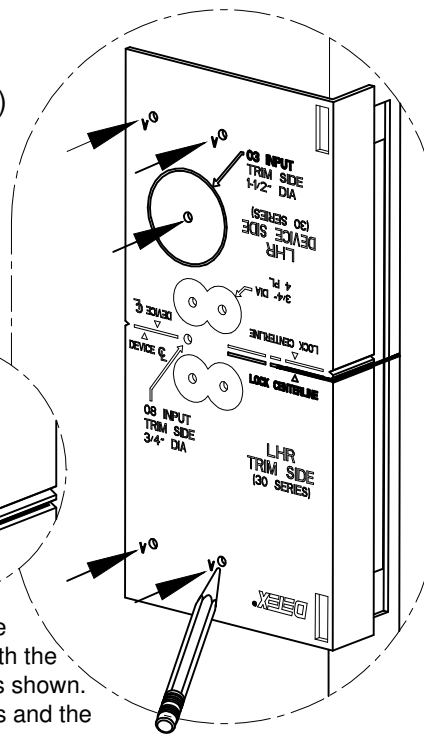
If unsure of trim/device centerline location, use the method below and at right to determine correct trim location.



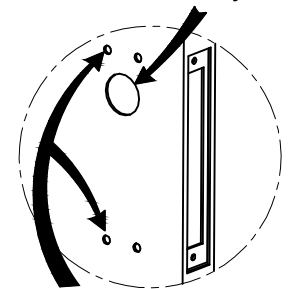
MARK HOLES:



Align the plastic template LOCK CENTERLINE with the mark previously made as shown. Mark the four A locations and the 03 INPUT location.

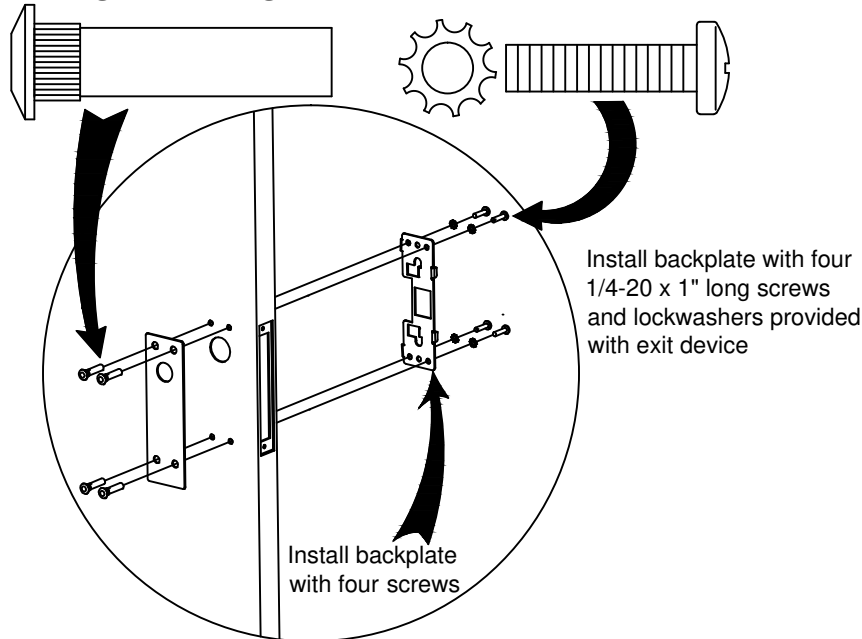


DRILL HOLES:
Drill 1-1/4" diameter hole thru trim side only



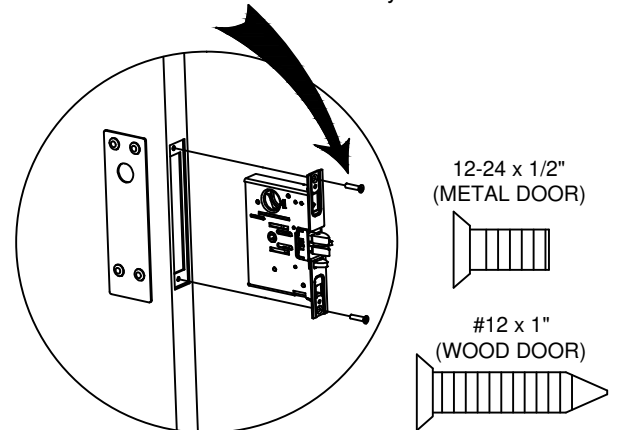
Drill 3/8" diameter holes thru trim side only, 4 places

STEP 2: INSTALL TRIM

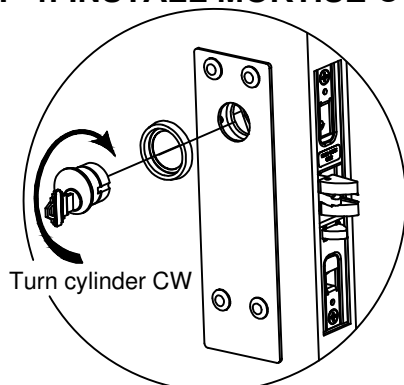


STEP 3: INSTALL MORTISE LOCK

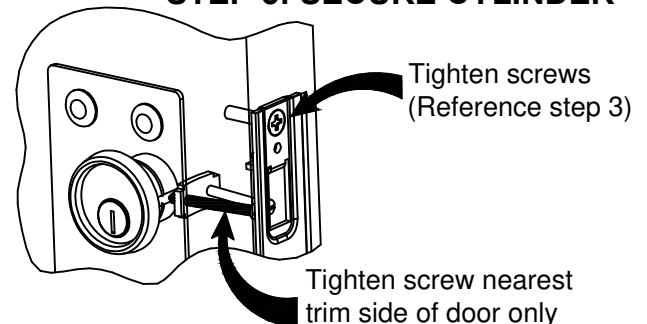
Mortise lock and mounting hardware provided with exit device. Fasten loosely.



STEP 4: INSTALL MORTISE CYLINDER



STEP 5: SECURE CYLINDER



TRIM INSTALLATION COMPLETE

Continue installation using device instructions