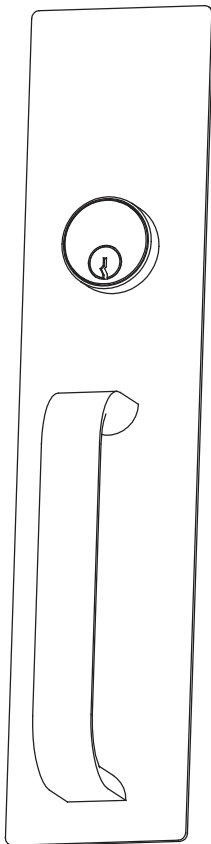
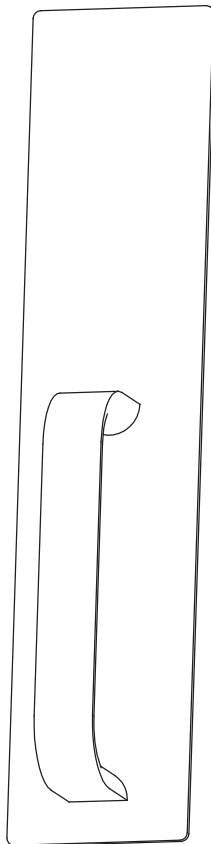


Detex Corporation, 302 Detex Drive, New Braunfels, Texas 78130-3045
(830)629-2900 / 1-800-729-3839 / Fax (830)620-6711
E-MAIL: detex@detex.com INTERNET: www.detex.com

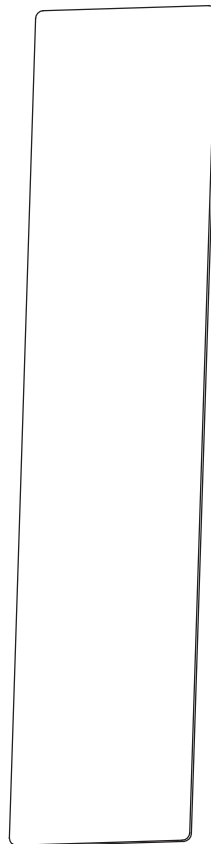
INSTALLATION INSTRUCTIONS FOR 03A(N), 02A(N), 01A(N) PULLPLATE TRIM



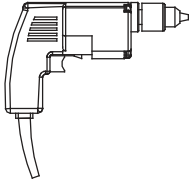

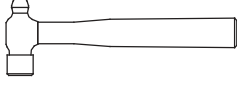


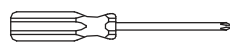

**03A(N)
FUNCTION**



**02A(N)
FUNCTION**



**01A(N)
FUNCTION**

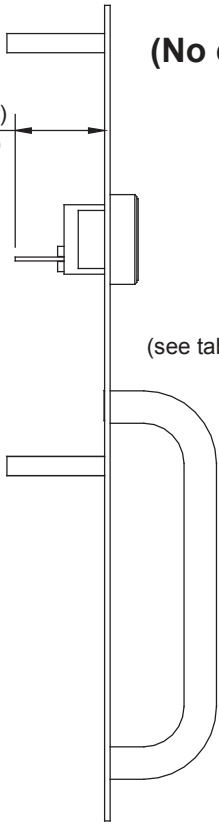
Tools Required	
Power Drill	
Pencil	
Hammer	
Safety Glasses	
Tape Measure	
Screw Driver	
Center Punch	

03 Trim Preparation

(No cylinder prep necessary for 02 & 01 Trims)

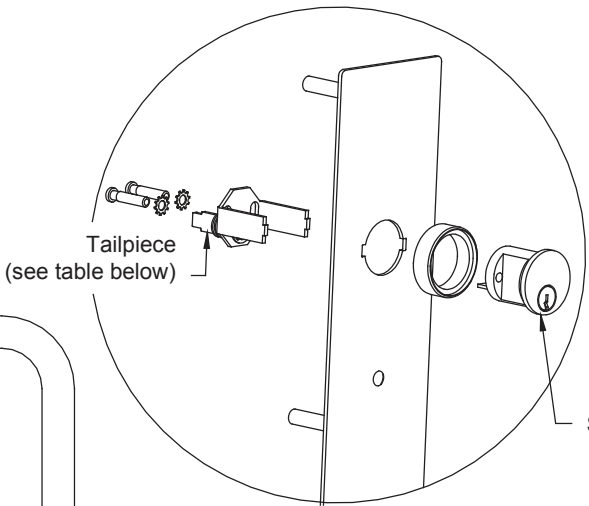
Cut
cylinder
tailpiece


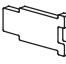
1-1/16" (Min)
1-1/8" (Max)



1

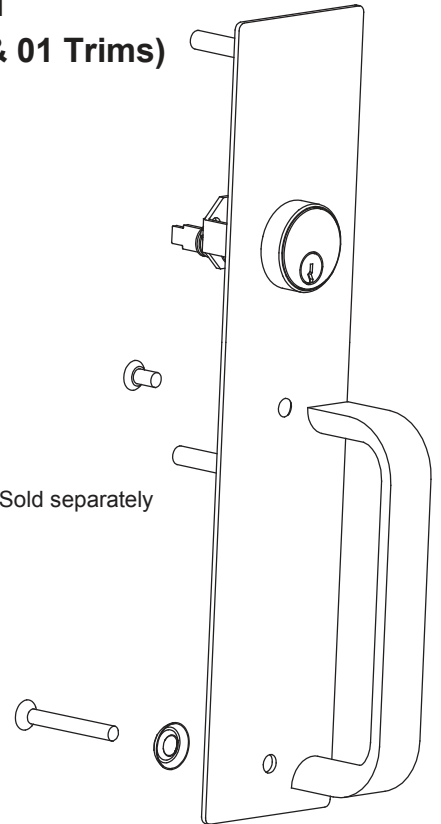
**Rim Cylinder
Preparation**



Tailpiece Used	Door Thickness
	1-3/4" and 2" Thick Doors
	2-1/4" Thick Doors

2

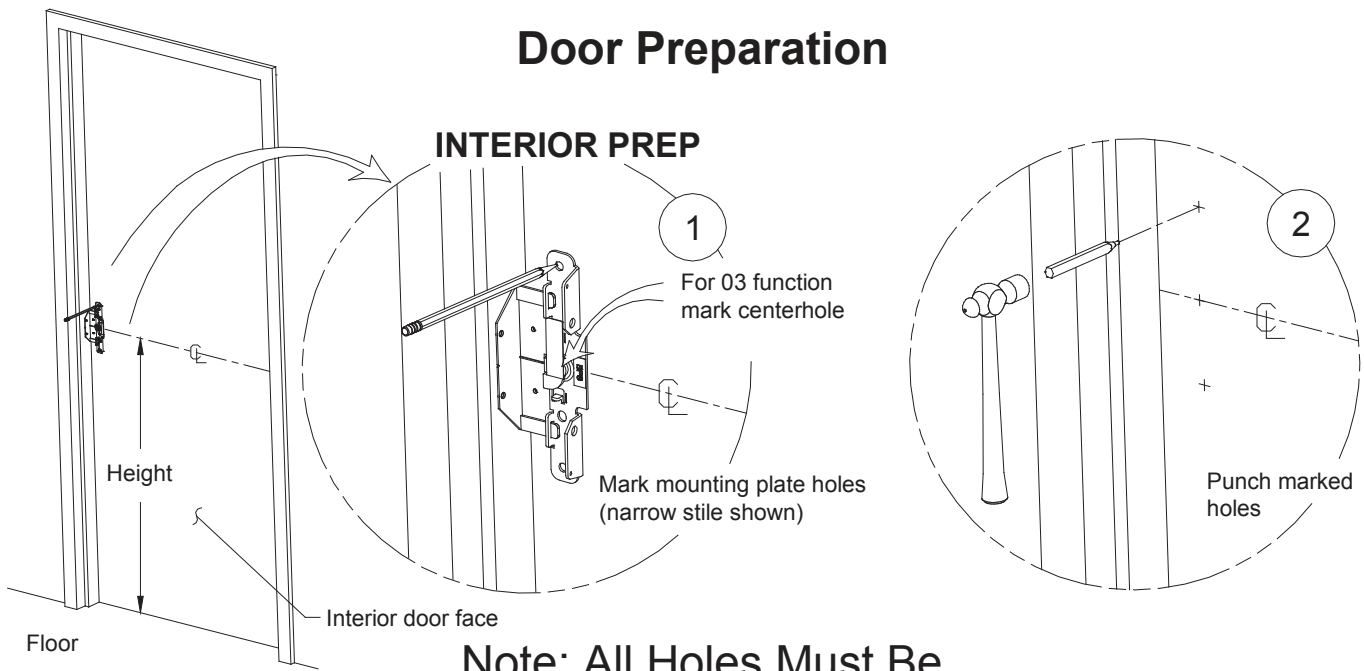
**Install
Tailpiece Assembly**



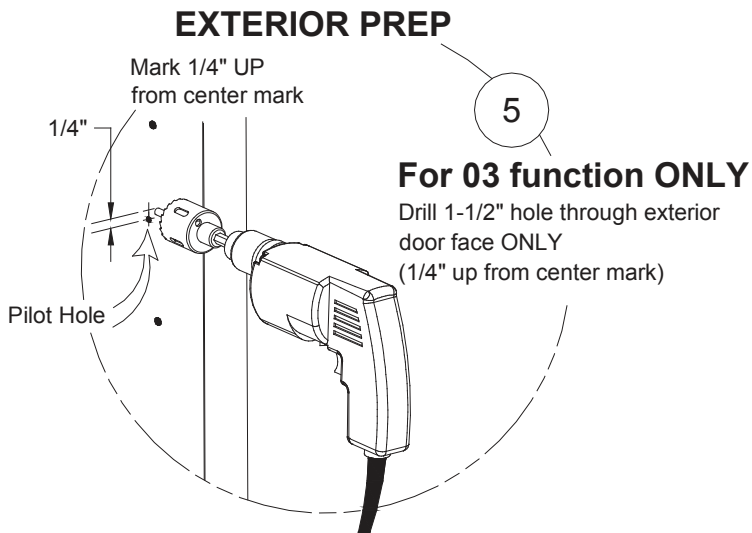
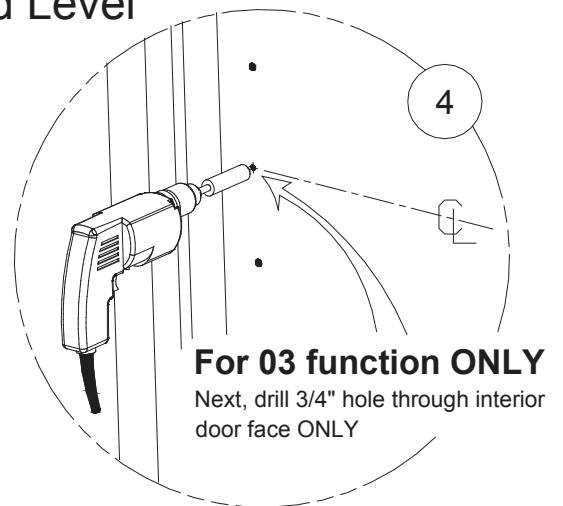
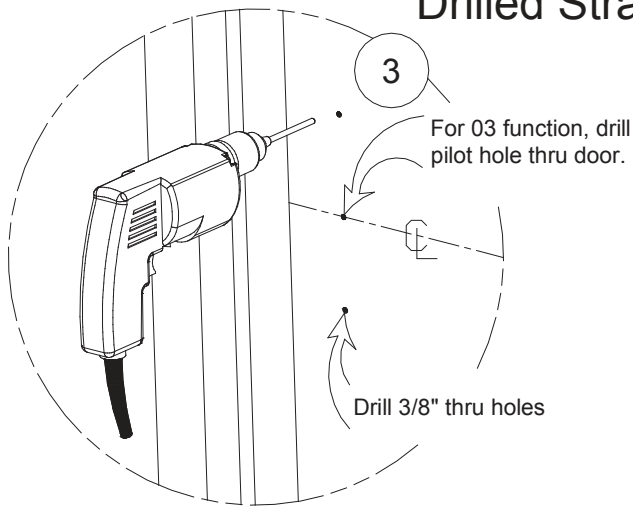
3

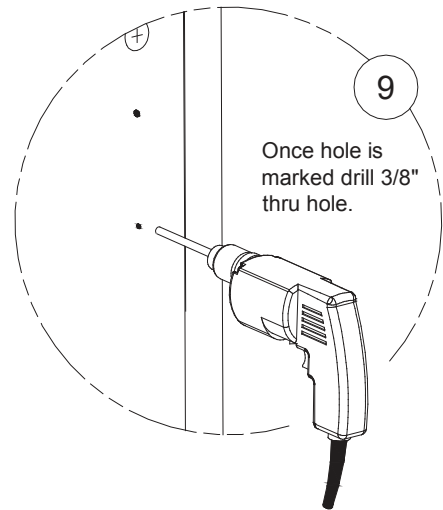
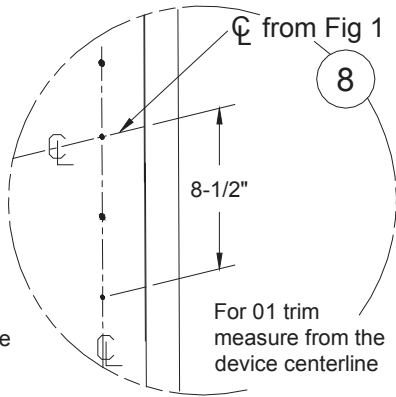
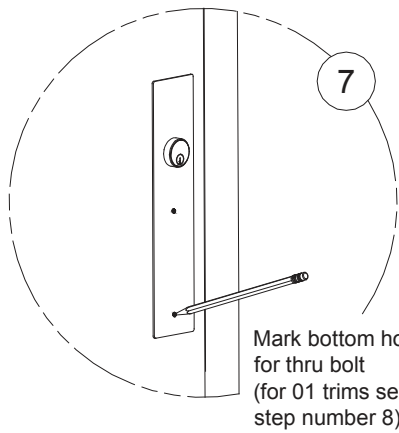
**Install
Trim Unit on Door
(see next page)**

Door Preparation



Note: All Holes Must Be Drilled Straight and Level





Installing the Trim

