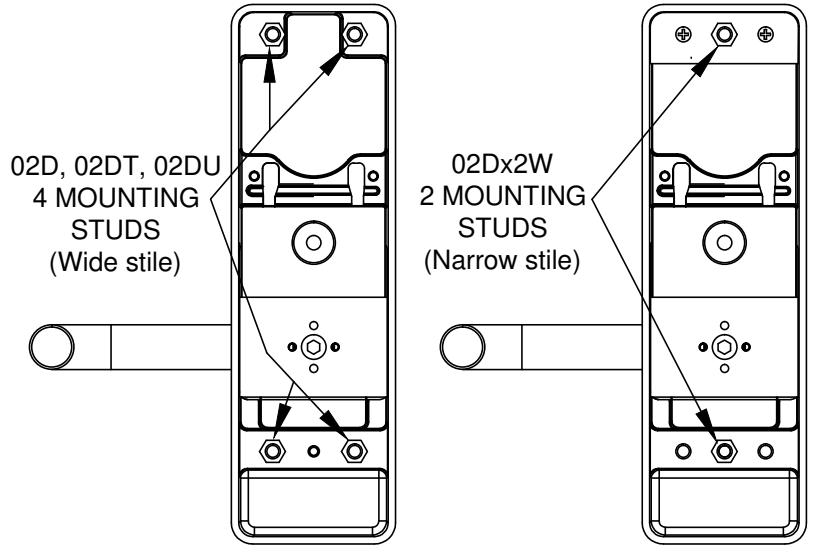
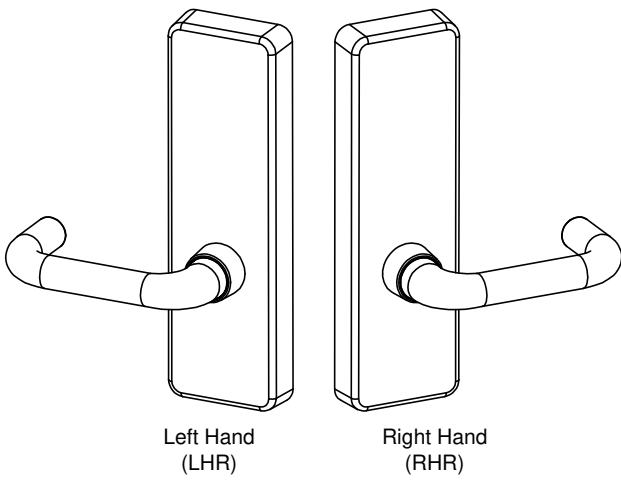


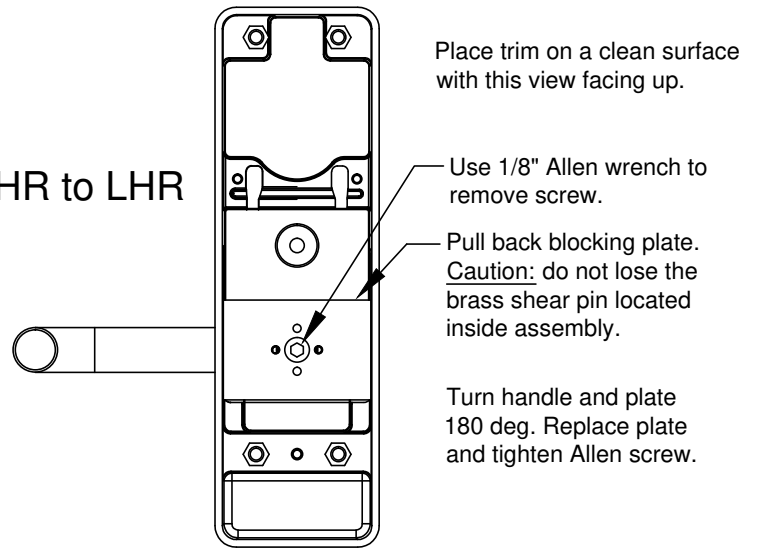
## INSTALLATION INSTRUCTIONS FOR 02D, 02DT, 02DU, 02Dx2W OUTSIDE LEVER TRIM

Drawing & p/n: 101998 and 105662



NOT DESIGNED FOR 2" STILE DOOR

### Switching Handing from RHR to LHR (if required)



Should you have a Question/Problem with your Detex device please call Detex Technical Support from job site at 1-800-729-3839 and choose option 2 on our menu. Please do not return the product to the distributor.

For **WARRANTY** information,  
scan code below or  
go to [www.detex.com/warranty](http://www.detex.com/warranty)

For device installation videos,  
scan code below or  
go to [www.detex.com/videos](http://www.detex.com/videos)



Owner's Copy





Wide Stile mounting plate subassembly  
(included with exit device, 4 mounting holes)

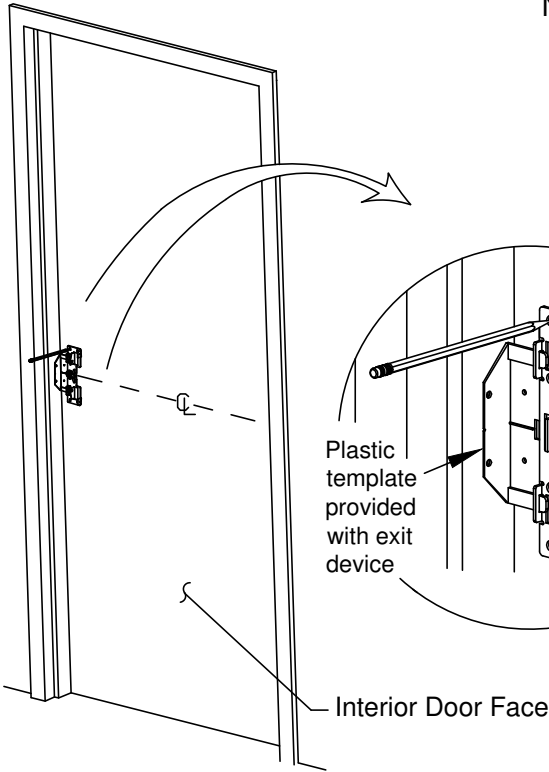


Narrow Stile mounting plate subassembly  
(included with exit device, 2 mounting holes)

### LHR INSTALLATION SHOWN

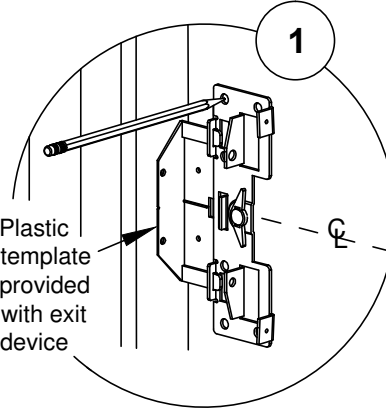
NOTE: Wide stile mounting shown, Narrow stile similar

- Tools required:
- Safety Glasses
  - Power Drill
  - Tape Measure
  - Center Punch
  - Pencil
  - Hammer
  - Screw Driver
  - Drill bit set

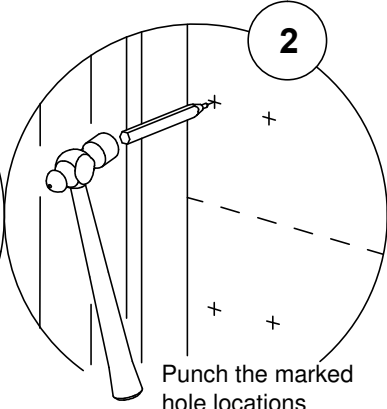


Plastic template provided with exit device

Interior Door Face

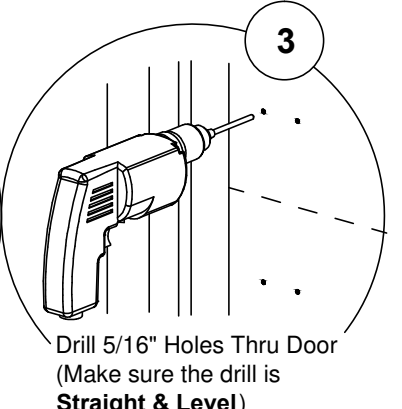


1



2

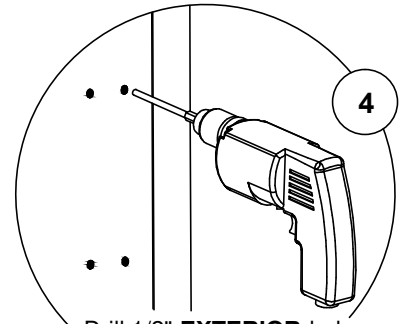
Punch the marked hole locations



3

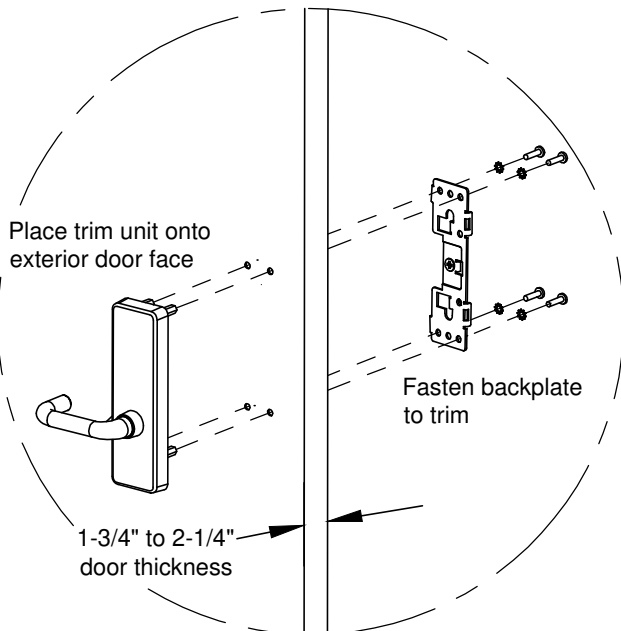
Drill 5/16" Holes Thru Door  
(Make sure the drill is **Straight & Level**)

Note: All Holes Must Be Drilled Straight and Level



4

Drill 1/2" **EXTERIOR** holes using 5/16" holes previously drilled from other side

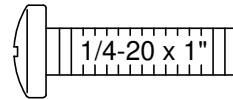


Place trim unit onto exterior door face

Fasten backplate to trim

1-3/4" to 2-1/4" door thickness

Hardware supplied with exit device



Machine screw



#1/4 Lock washer

CONTINUE WITH EXIT DEVICE INSTRUCTIONS