

MODify Pedestal 02A

MODify™ is a one-of-a-kind Modular Merchandising System that is made up of interchangeable fixtures and accessories that can be easily assembled, disassembled, and rearranged to create a variety of different display configurations. The MODify system incorporates SEG push-fit fabric graphics that enable you to brand, promote and merchandise with ease.

The MODify Pedestal 02A is a modern retail display that incorporates custom silicone-edge graphics to increase brand awareness and advertising potential. The abrasion-resistant acrylic topper places emphasis on the product being highlighted.



We are continually improving and modifying our product range and reserve the right to vary the specifications without prior notice. All dimensions and weights quoted are approximate and we accept no responsibility for variance. E&OE. See Graphic Templates for graphic bleed specifications

features and benefits:

- 16"W x 36"H x 16"D
- Abrasion resistant acrylic cube topper
- Wood top comes in white, black, natural or gray wood grain
- Four SEG push-fit graphics
- Extrusion based frame

dimensions:

Hardware	Shipping
Assembled unit: 16"W x 36"H x 16"D 406.4mm(w) x 914.4mm(h) x 406.4mm(d) Approximate Weight: 29 lbs / 13.1542 kg	Packing case(s): 2 Boxes Shipping dimensions: 1 x BOX (38"L x 6"H x 6"D) 965.2mm(l) x 152.4mm(h) x 152.4mm(d) 1 x BOX (15"L x 18"H x 18"D) 381mm(l) x 457.2mm(h) x 457.2mm(d) Approximate shipping weight: 39 lbs / 17.6901 kg

Graphics

Graphic material: Dye-sublimated fabric
See graphic templates for graphic sizes.

Refer to related graphic templates for more information Visit:

<https://www.theexhibitorshandbook.com/downloads/download-graphic-templates>
or click here

additional information:

Powder coat color options:



Wood laminate color options:



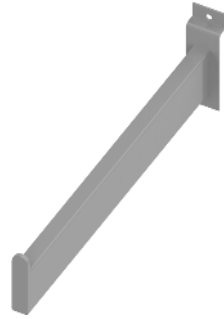
MODify Accessories

All Accessories available in white, black, or silver

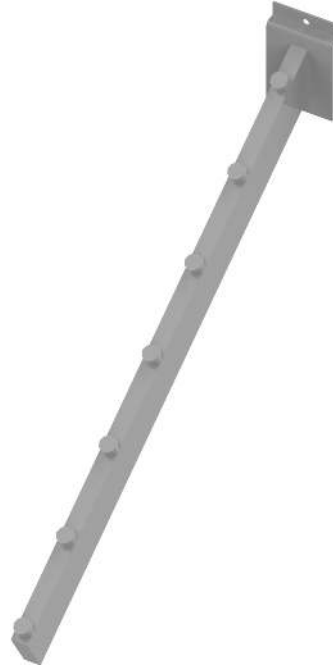
Slotwall Accessories



MFY-SLT-HK
4", 6", 8", 10" & 12"

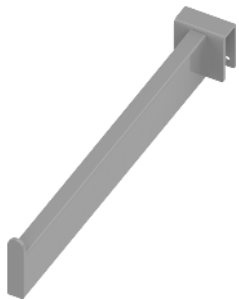


MFY-SLT-FC
6", 8", 10" & 12"



MFY-SLT-WTR-16-7

U-Bar Accessories



MFY-TWL-FC
6", 8" & 10"

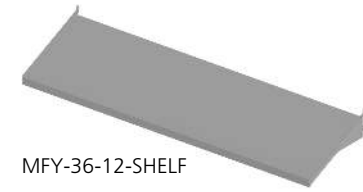


MFY-UBR-FC
6", 8" & 10"

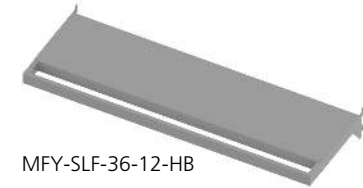


MFY-CSTR-4-PK

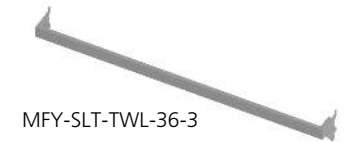
Shelf and Hanger Bars



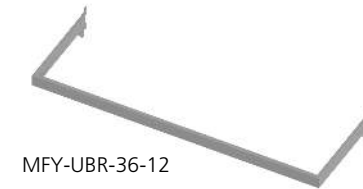
MFY-36-12-SHELF



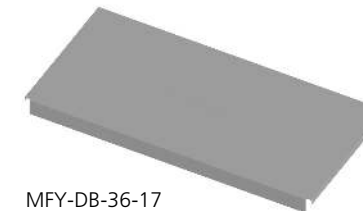
MFY-SLF-36-12-HB



MFY-SLT-TWL-36-3



MFY-UBR-36-12



MFY-DB-36-17

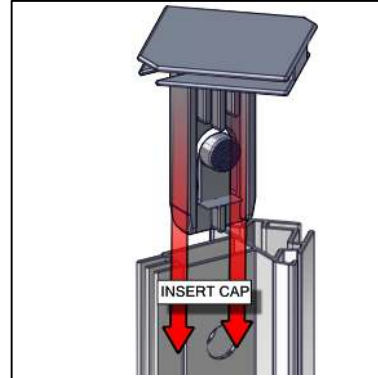
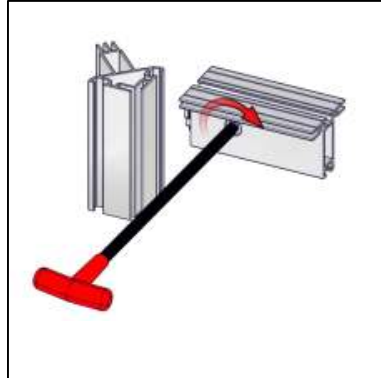
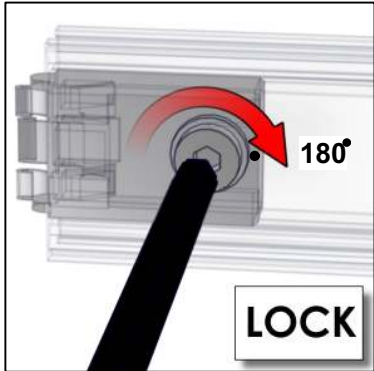
Tools Required



MULTI HEX KEY

SETUP INSTRUCTIONS

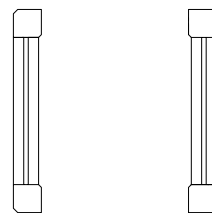
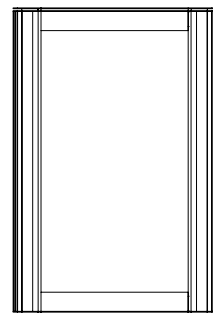
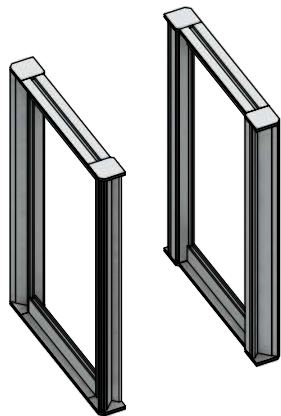
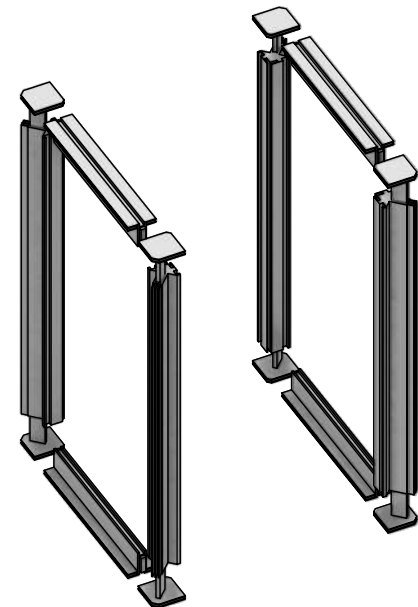
QTY	IMAGE	DESCRIPTION
8		INJECTION MOLDED PLASTIC END CAP FOR PMFC2-90
4		595MM LENGTH OF PMFC2-90 EXTRUSION-WITH IB2 LOCK HOLES BOTH ENDS
4		292MM LENGTH OF PHFC2 EXTRUSION-WITH CAM LOCKS BOTH ENDS




STEP 1

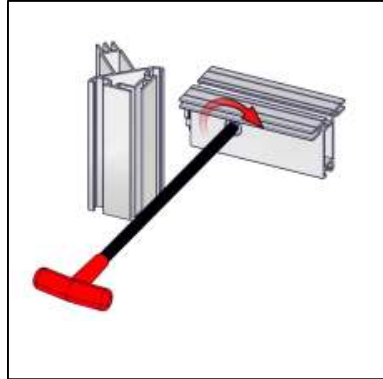
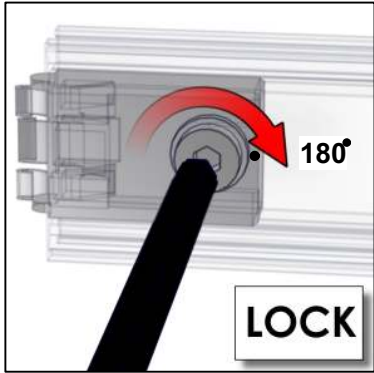
ASSEMBLE X2 FRAMES

IMPORTANT!
MAKE A HALF TURN
TO LOCK EXTRUSIONS



QTY	IMAGE	DESCRIPTION
4		292MM LENGTH OF PHFC2 EXTRUSION-WITH CAM LOCKS BOTH ENDS

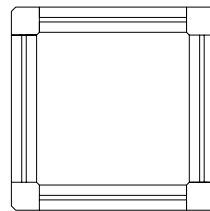
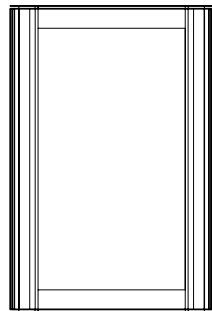
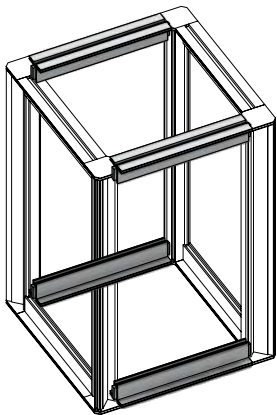
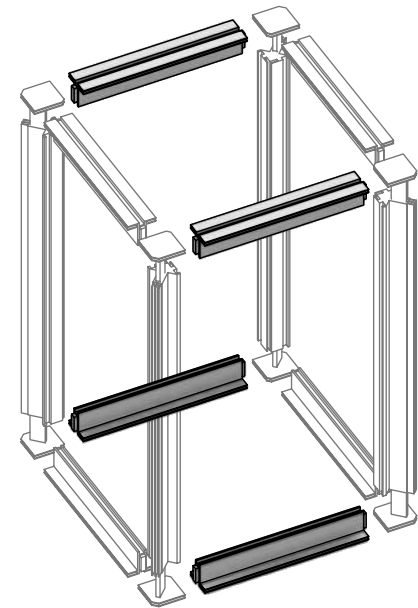
SETUP INSTRUCTIONS




IMPORTANT!
MAKE A HALF TURN
TO LOCK EXTRUSIONS

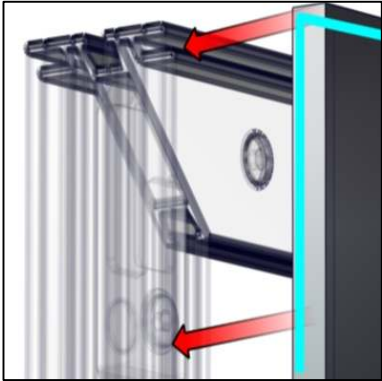
STEP 1

LOCK FRAMES
WITH HORIZONTAL
CROSS BRACES

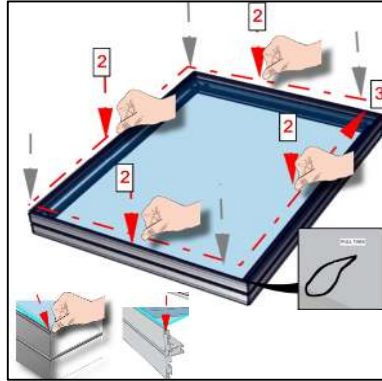


QTY	IMAGE	DESCRIPTION
4		(19.47 w X 27.86 h total size) 15.47 w X 23.86 h finish size, Dye-sub print on Eclipse Blockout Stretch, single sided, sewn with FCE-2 silicone beading around perimeter & pull tab in bottom right corner

SETUP INSTRUCTIONS

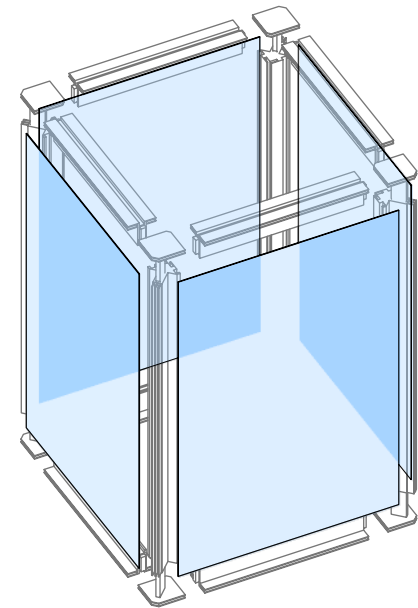
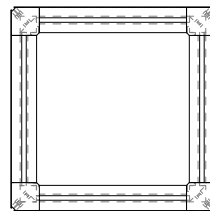
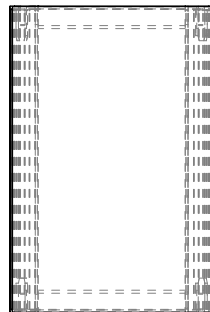
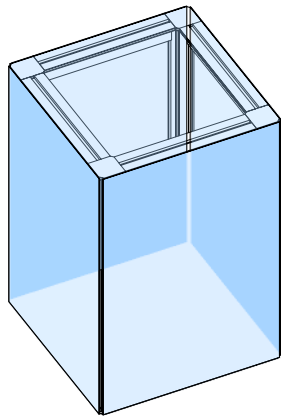


PRESS GRAPHIC INTO CORNERS





THEN PRESS ALONG THE PERIMETER EDGE

STEP 2 INSTALL GRAPHICS



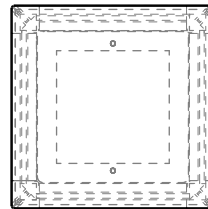
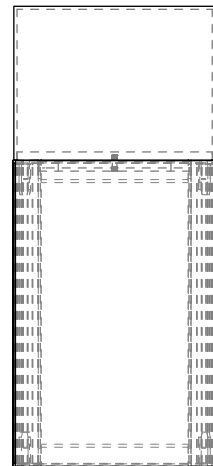
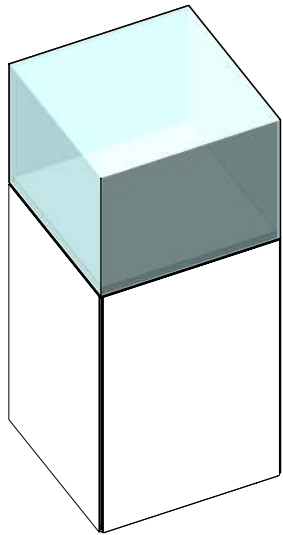
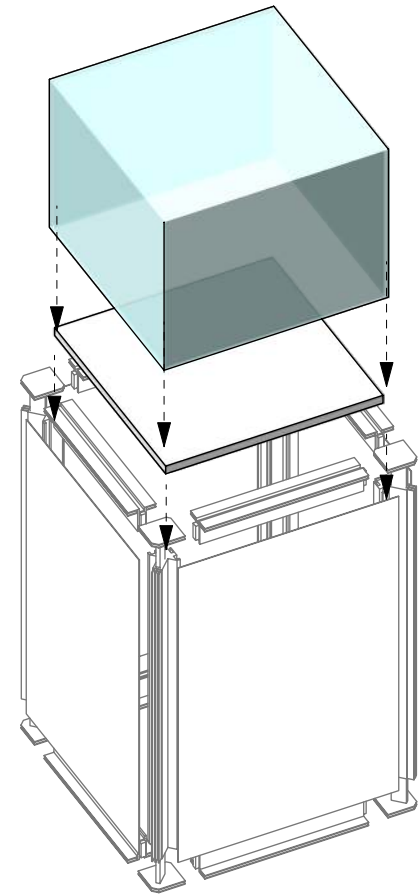
SETUP INSTRUCTIONS

1		400mm x 400mm x 308mm - 1/4in Clear Acrylic 5 Sided Box
1		387MM X 387MM PEDESTAL TOP

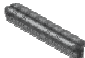




STEP 3

PEDESTAL TOP
SITS ON TOP OF
THE FRAME





PLACE ACRYLIC
BOX



Kit Hardware BOM

ITEM	COMPONENTS	QTY	DESCRIPTION
	320-292-01-01	8	292MM LENGTH OF PHFC2 EXTRUSION-WITH CAM LOCKS BOTH ENDS
	321-595-02-02	4	595MM LENGTH OF PMFC2-90 EXTRUSION-WITH IB2 LOCK HOLES BOTH ENDS
	CT-MOD-PED	1	387MM X 387MM PEDESTAL TOP
	PLEX-394-394-308	1	400mm x 400mm x 308mm - 1/4in Clear Acrylic 5 Sided Box
	PMFC2-90-CAP	8	INJECTION MOLDED PLASTIC END CAP FOR PMFC2-90

Kit Graphics BOM

	MFY-PED-01-A-G	1	(19.47 w X 27.86 h total size) 15.47 w X 23.86 h finish size, Dye-sub print on Eclipse Blockout Stretch, single sided, sewn with FCE-2 silicone beading around perimeter & pull tab in bottom right corner
	MFY-PED-01-B-G	1	(19.47 w X 27.86 h total size) 15.47 w X 23.86 h finish size, Dye-sub print on Eclipse Blockout Stretch, single sided, sewn with FCE-2 silicone beading around perimeter & pull tab in bottom right corner
	MFY-PED-01-C-G	1	(19.47 w X 27.86 h total size) 15.47 w X 23.86 h finish size, Dye-sub print on Eclipse Blockout Stretch, single sided, sewn with FCE-2 silicone beading around perimeter & pull tab in bottom right corner
	MFY-PED-01-D-G	1	(19.47 w X 27.86 h total size) 15.47 w X 23.86 h finish size, Dye-sub print on Eclipse Blockout Stretch, single sided, sewn with FCE-2 silicone beading around perimeter & pull tab in bottom right corner