



INSTALLATION GUIDE



1142HD
Wireless Two-Button Transmitter

GET STARTED

The 1142HD is a wireless two-button holdup transmitter in a heavy duty enclosure that can be mounted under a counter or on a wall. It has a tamper switch to identify if the unit has been removed from its mounted location. The 1142HD features built-in optional 128-bit AES encryption.

The 1142HD provides two buttons that, when pressed at the same time, send a panic message to the control panel. They also provide an LED that can be programmed to provide visual indication that a panic alarm has been transmitted.

What's Included

- ▶ One 1142HD Wireless Two-Button Holdup Transmitter
- ▶ One 3.0V Lithium CR123A Battery
- ▶ Hardware Pack

INSTALLATION

1 Program the Panel

Refer to the panel programming guide as needed.

1. At a keypad, enter **6653** (PROG) to access the Programmer Menu.
2. To enable encryption, use the two steps below and then continue to step 3. Otherwise, go to step 3.
 - ▶ Navigate to **SYSTEM OPTIONS**. At **1100 ENCRYPTION**, select **ALL** to only add encrypted wireless devices to the system. Select **BOTH** to allow both encrypted and non-encrypted wireless devices to be programmed.
 - ▶ The default passphrase appears at the **ENTER PASSPHRASE** prompt. Press **CMD** to keep the default. Press any select key or area to change the passphrase and enter an 8-character hexadecimal string (0-9, A-F).
3. In **ZONE INFORMATION**, enter the wireless **ZONE NO.**
4. Enter the **ZONE NAME**.
5. Select **PN** (panic) as the **ZONE TYPE**.
6. At **NEXT ZN?**, select **NO**.
7. At **WIRELESS**, select **YES**.
8. Enter the eight-digit **SERIAL#** and press **CMD**.
9. Enter the **SUPRVSN TIME** (supervision time) and press **CMD**.
10. At **LED OPER** (operation), select **YES** to activate or **NO** not to activate the LED when a panic signal is transmitted or acknowledged by the receiver. The LED pulses for five minutes after the acknowledgement is received from the panel.
11. At **NEXT ZN?**, select **YES** if you are finished programming the zone. Select **NO** if you would like to access additional programming options.

2 Install the Battery

Insert a 3.0V lithium battery or a DMP Model CR123A battery. It is recommended for UL installations to use either an Energizer 123 battery or a CR123A battery manufactured by Panasonic or Tekcell. Keep in mind, when setting up a wireless system, program zones and connect the receiver (if needed) before installing the battery.

With the 1142HD already open, observe polarity and place the battery in the holder and press it into place.

3 Select a Location

The 1142HD provides a Survey LED capability to allow one person to confirm communication with the wireless receiver or panel while the cover is removed.

1. Hold the transmitter in the exact desired location.
2. Press the tamper switch to send data to the panel and determine if communication is confirmed or faulty.

✓ **Confirmed:** If communication is confirmed, for each press or release of the tamper switch the LED blinks immediately on and immediately off. Repeat this test to confirm five separate consecutive LED blinks. Any indication otherwise means proper communication has not been established.

✗ **Faulty:** If communication is faulty, the LED remains on for about 8 seconds or flashes multiple times in quick succession. Relocate the transmitter or receiver until the LED confirms clear communication.

3. Relocate the 1142HD or receiver until the LED confirms clear communication. Proper communication between the 1142HD and panel is verified when for each press or release of the tamper switch, the LED blinks immediately on and immediately off.

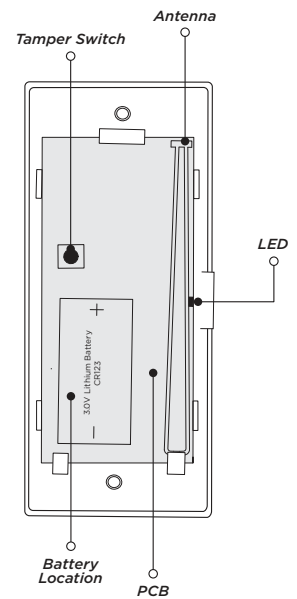


Figure 1: PCB Components

4 Install the Transmitter

Mount the 1142HD in a location that is accessible but not visible to the attacking party.

The 1142HD is equipped with a case tamper and wall tamper. When the housing cover is removed or the case is removed from its mounting location, the wall tamper activates and sends a tamper trouble to the panel.

Under-the-Counter Mounting

1. Set aside the top housing containing the PCB and the battery.
2. Place the base housing in the desired location with the LED cut-out facing you.
3. Use the two supplied Phillips mounting screws to mount the base. Place another screw in the tamper hole to mount it against the wall. See Figures 2 and 3.
4. Align the top and bottom LED cut-out. Ensure the tamper in the top housing is aligned with the tamper location on the base housing. Using a Phillips screwdriver, use the two included screws to secure the top housing to the bottom housing. See Figure 3.

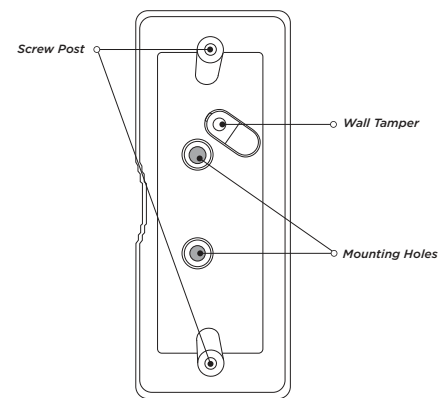


Figure 2: Base Housing Installation

5 Test the Transmitter

After the 1142HD has been installed, perform a Wireless Check-in Test to confirm the 1142HD is communicating with the panel.

At the keypad, enter **8144** (WALK) and select **WLS**. If the transmitter fails to check in at the keypad, ensure that it is wired properly and check for sources of interference such as metal objects and electronic equipment.

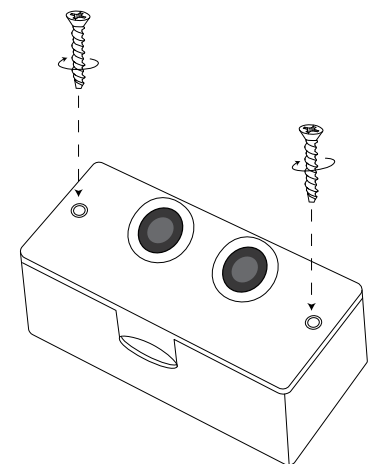



Figure 3: Top Housing Installation

ADDITIONAL INFORMATION

Replace the Battery

1. Remove the screws from the 1142HD housing and remove the old battery.
2. Observe polarity and place the new battery in the holder and press into place.
3. Align the top housing and LED cut-out with the base housing and reassemble. See Figure 3.

 **Caution:** Properly dispose of used batteries. Do not recharge, disassemble, heat above 100°C, or incinerate. Risk of fire, explosion, and burns.

Sensor Reset to Clear LOBAT

When the battery needs to be replaced, a **LOBAT** message will display on the keypad. Once the battery is replaced, a sensor reset is required at the system keypad to clear the **LOBAT** message.


1. On a Thinline keypad, press and hold “2” for two seconds. On a touchscreen keypad press **RESET**.
2. Enter your user code if required. The keypad displays **SENSORS OFF** followed by **SENSORS ON**.

SPECIFICATIONS

Battery	
Life Expectancy	5 years (normal operation)
Type	3.0V lithium CR123A
Frequency Range	905-924 MHz
Dimensions	
Transmitter Case	3.9 L x 1.7 W x 1.2 H
Color	Black
Housing Material	Flame retardant ABS

COMPATIBILITY

- ▶ 1100 Series Wireless Receivers
- ▶ XTL Series Control Panels
- ▶ XT Series Control Panels
- ▶ XR Series Control Panels

 **Note:** To enable encryption, Version 183 or higher is required for XT30/XT50, XT75, and XR Series Control Panels and Version 300 is required for Wireless Receivers.

CERTIFICATIONS

- ▶ FCC Part 15 Registration ID: CCKPC0248
- ▶ Industry Canada Registration ID: 5251A-PC0248

Underwriters Laboratory (UL) Listed

ANSI/UL 2610 Commercial Premises Security Alarm Units

Patents

U.S. Patent No. 7,239,236

FCC Information

This device complies with Part 15 of the FCC Rules. Operation is subject to the following two conditions:

1. This device may not cause harmful interference, and
2. This device must accept any interference received, including interference that may cause undesired operation.

Changes or modifications made by the user and not expressly approved by the party responsible for compliance could void the user's authority to operate the equipment.

Note: This equipment has been tested and found to comply with the limits for a Class B digital device, pursuant to part 15 of the FCC Rules. These limits are designed to provide reasonable protection against harmful interference in a residential installation. This equipment generates, uses and can radiate radio frequency energy and, if not installed and used in accordance with the instructions, may cause harmful interference to radio communications. However, there is no guarantee that interference will not occur in a particular installation. If this equipment does cause harmful interference to radio or television reception, which can be determined by turning the equipment off and on, the user is encouraged to try to correct the interference by one or more of the following measures:

- Reorient or relocate the receiving antenna.
- Increase the separation between the equipment and receiver.
- Connect the equipment into an outlet on a circuit different from that to which the receiver is connected.
- Consult the dealer or an experienced radio/TV technician for help.

Industry Canada Information

This device complies with Industry Canada License-exempt RSS standard(s). Operation is subject to the following two conditions:

1. This device may not cause interference, and
2. This device must accept any interference, including interference that may cause undesired operation of the device.

Le présent appareil est conforme aux CNR d'Industrie Canada applicables aux appareils radio exempts de licence. L'exploitation est autorisée aux deux conditions suivantes:

1. l'appareil ne doit pas produire de brouillage, et
2. l'utilisateur de l'appareil doit accepter tout brouillage radioélectrique subi, même si le brouillage est susceptible d'en compromettre le fonctionnement.



Designed, engineered, and
manufactured in Springfield, MO
using U.S. and global components.

LT-2982 1.01 25152

© 2025

INTRUSION • FIRE • ACCESS • NETWORKS

2500 North Partnership Boulevard
Springfield, Missouri 65803-8877

800.641.4282 | DMP.com