

STANDARD ARM BRACKET HARDWARE KITS

DoorKing Part Numbers:

1601-235

Octagon Arm **WITH**
Reverse Edge Hardware Kit

1601-242

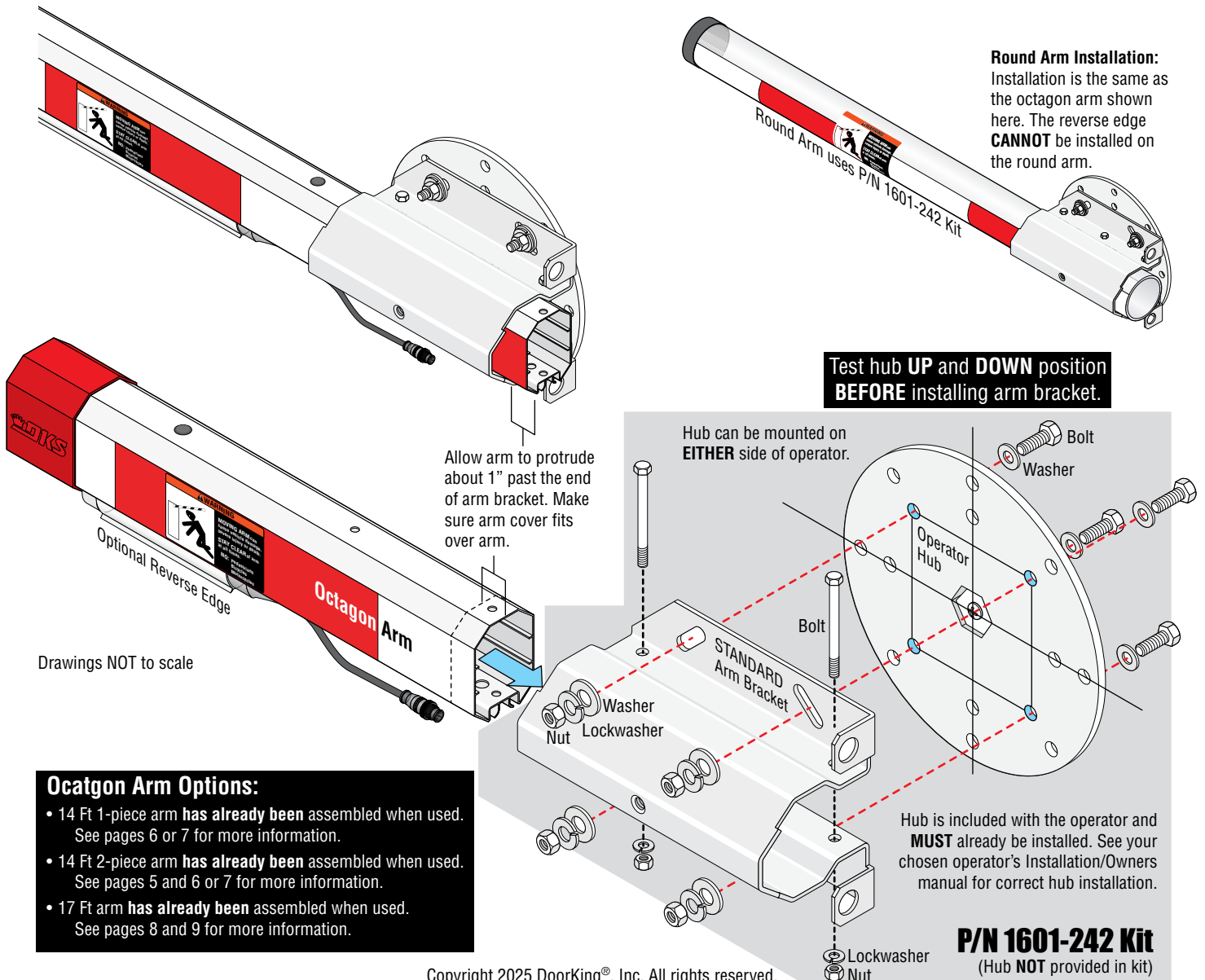
Octagon/Round Arm **WITHOUT**
Reverse Edge Hardware Kit

These kits are designed for all 1600 barrier gate operators. A reversing edge with **OR** without Red/Green LEDs for a **octagon** arm is sold separately and is **HIGHLY** recommended for safety.

STANDARD Octagon Arm Bracket Installation Steps:

1 Install Standard Arm Bracket on Operator Hub (For 1601-242 kit or 1601-235 kit)	1
2 Install Wire Harness (ONLY when using 1601-235 kit)	2
3 Cable Run Options (ONLY when using 1601-235 kit)	2
4 Attach Wire Harness to Standard Bracket (ONLY when using 1601-235 kit)	2
5 Mount Power Supply (ONLY when using 1601-235 kit)	3
6 Octagon Arm - Wiring to Operator (ONLY when using 1601-235 kit)	4
• 14 Ft 2-Piece Arm Assembly (Optional) (Sold Separately)	5
• 14 Ft Reverse Edge / Red Green LED Installation (Optional) (Sold Separately)	6
• 14 Ft Rubber Bumper Installation (Optional) (Sold Separately)	7
• 17 Ft Octagon Arm Assembly for a 1602 ONLY (Optional) (Sold Separately)	8
- 15 Ft Reverse Edge / Red Green LED Installation on 17 Ft Arm ONLY (Optional) (Sold Separately)	9
Older Existing Arm Plastic Cover Modification (If Necessary)	10

1 Install Standard Arm Bracket on Operator Hub



Octagon Arm Options:

- 14 Ft 1-piece arm **has already been** assembled when used. See pages 6 or 7 for more information.
- 14 Ft 2-piece arm **has already been** assembled when used. See pages 5 and 6 or 7 for more information.
- 17 Ft arm **has already been** assembled when used. See pages 8 and 9 for more information.

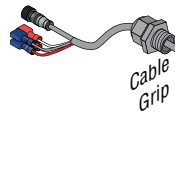
Copyright 2025 DoorKing®, Inc. All rights reserved.

2 Install Wire Harness (8080-356)

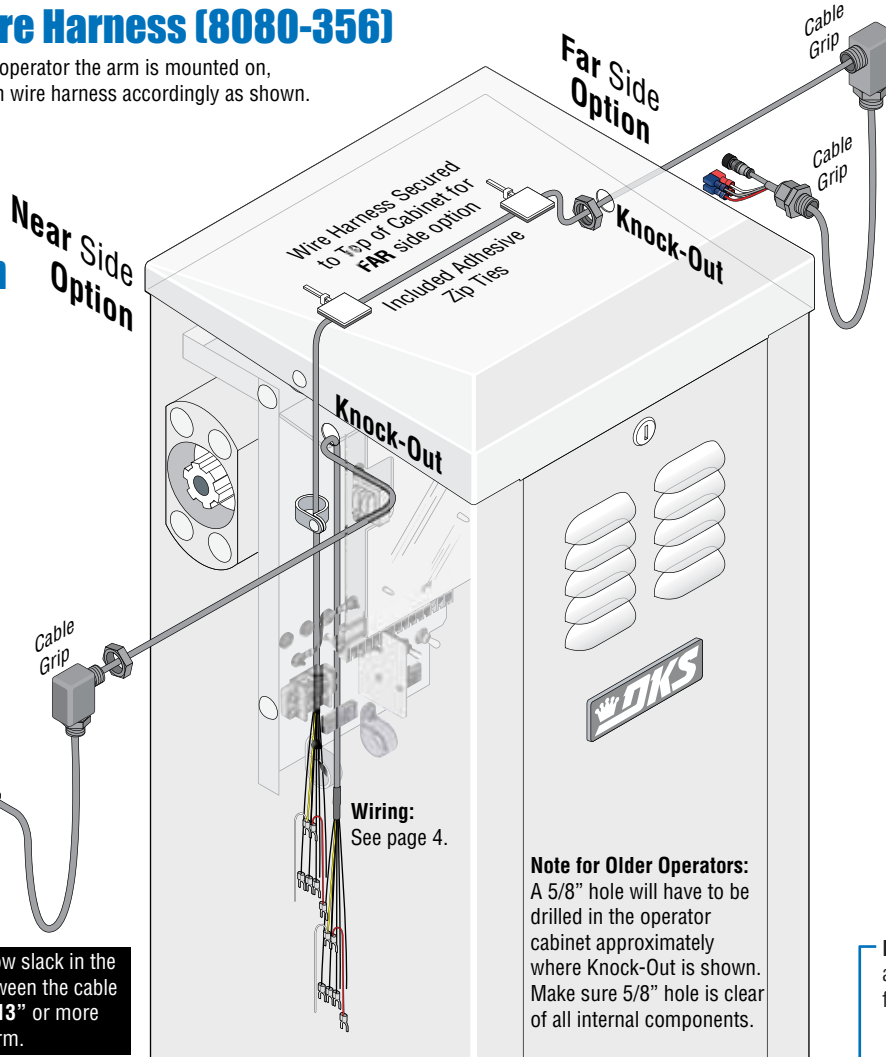
Choose which side of the operator the arm is mounted on, remove knock-out and run wire harness accordingly as shown.

3 Cable Run Options

See page 4 for arm connection options.



IMPORTANT: Allow slack in the wire harness between the cable grips of **at least 13"** or more for the rotating arm.

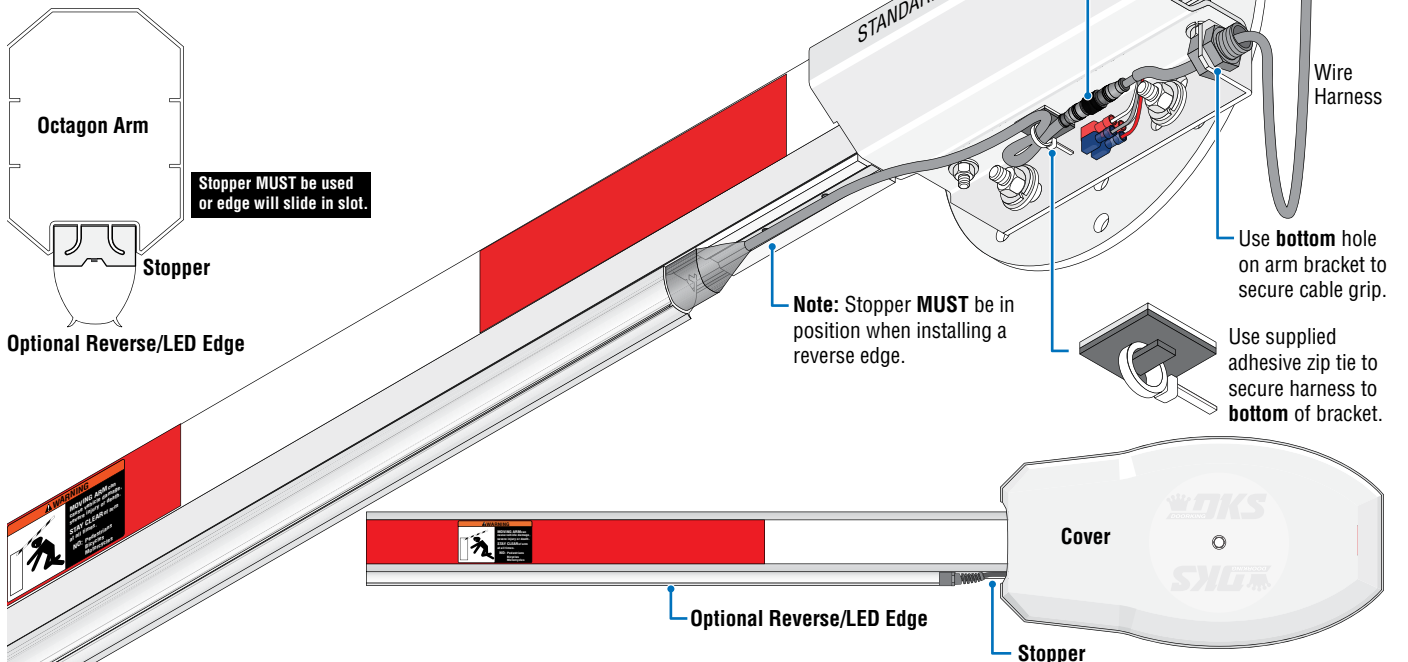


IMPORTANT: Allow slack in the wire harness between the cable grips of **at least 13"** or more for the rotating arm.

Note for Older Operators: A 5/8" hole will have to be drilled in the operator cabinet approximately where Knock-Out is shown. Make sure 5/8" hole is clear of all internal components.

NOTE: Plugs have an alignment slot for connection.

4 Attach Wire Harness to STANDARD Bracket



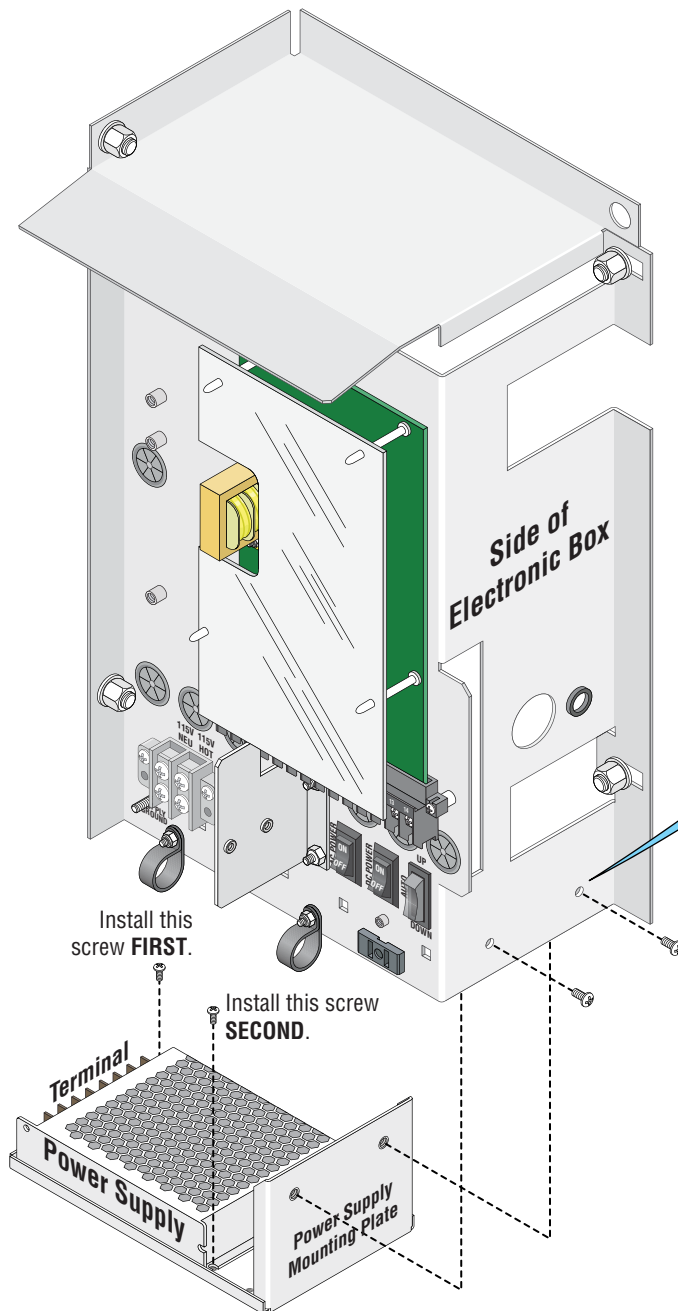
Stopper MUST be used or edge will slide in slot.

Note: Stopper **MUST** be in position when installing a reverse edge.

Use **bottom** hole on arm bracket to secure cable grip.

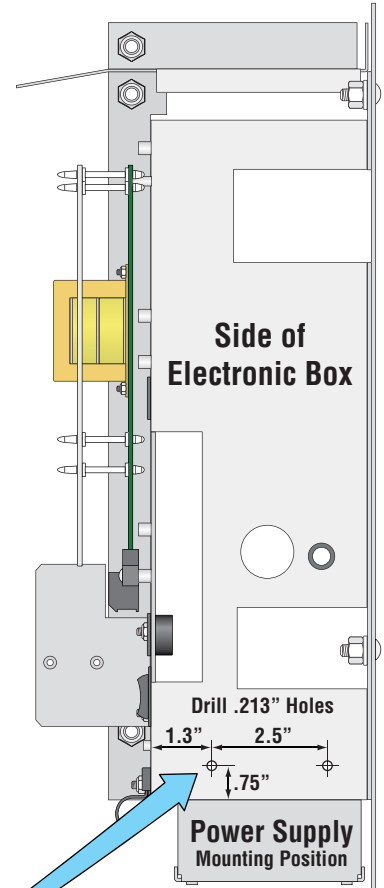
Use supplied adhesive zip tie to secure harness to **bottom** of bracket.

5 Mount Power Supply



Mount Power Supply

IMPORTANT: Power supply **MUST** be wired **BEFORE** mounting it as shown. See next page.



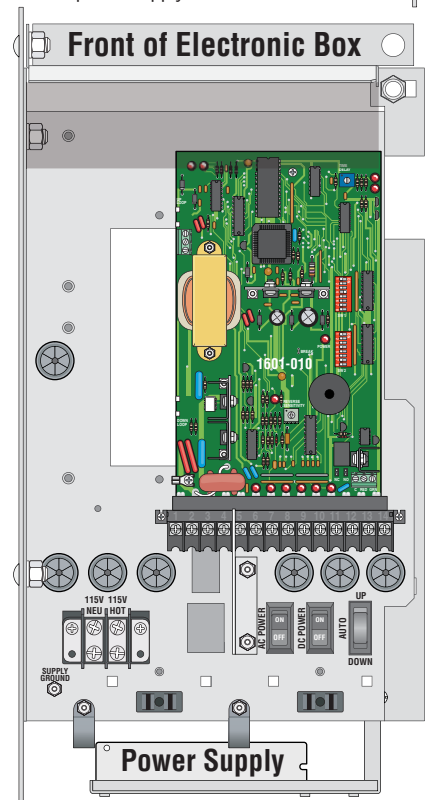
Side of Electronic Box

Drill .213" Holes
1.3" 2.5"
↓ .75"

Power Supply Mounting Position

Drill Hole Positions

Drill holes in positions shown to mount power supply to side of electronic box.



Front of Electronic Box

Power Supply

14 Ft 2-Piece Octagon Arm Assembly

DoorKing Part Number

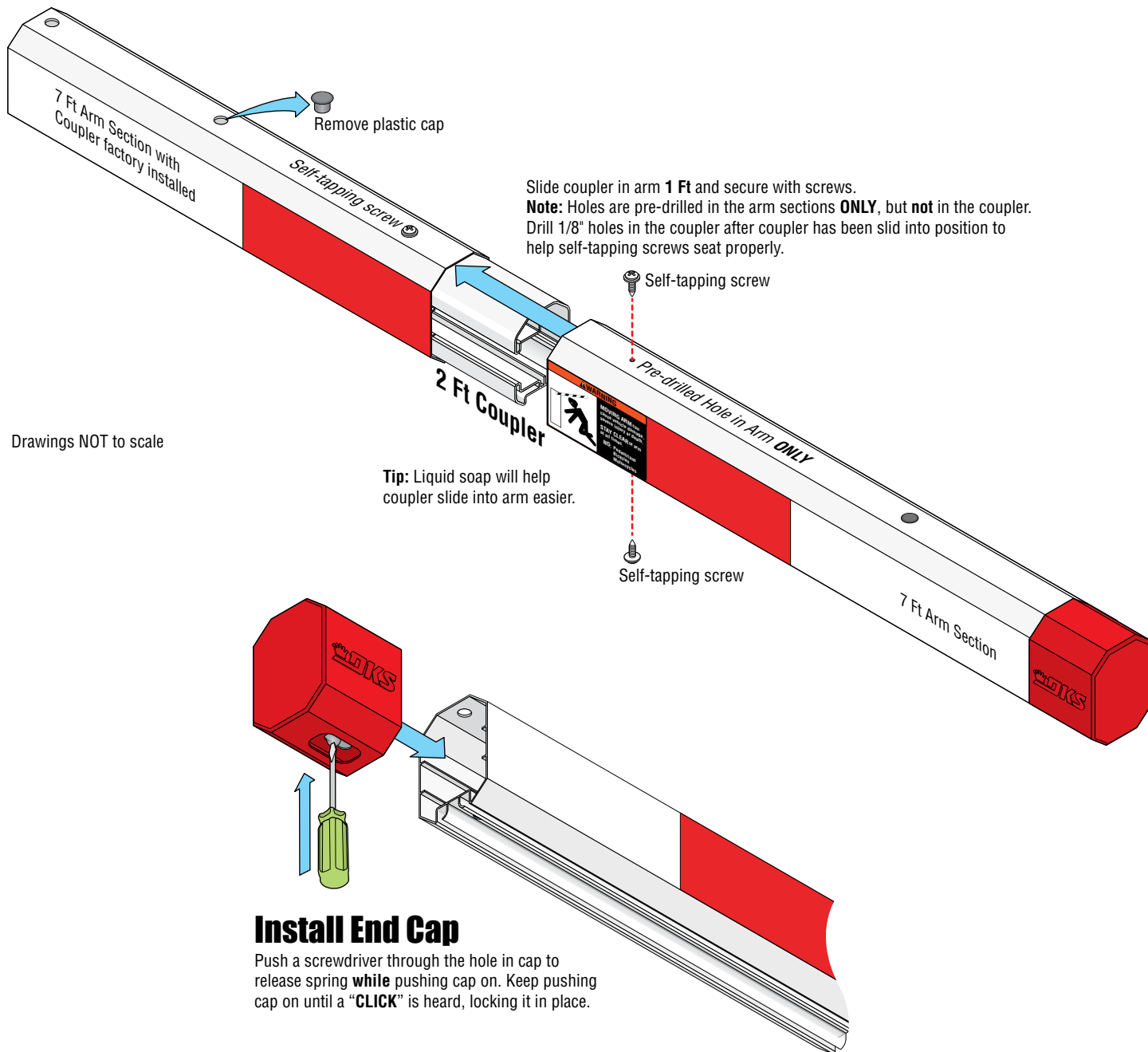
1601-567

14 Ft 2-Piece Octagon Arm Kit

This kit is designed for use on a 1601 or 1603 barrier gate operators **ONLY**. It has 2-7 ft arm sections that assemble into a 14 ft arm.

A reverse edge can be installed on this arm. It is sold separately but **highly recommended** for safety, see next page.

Assemble 2-Piece Arm



14 Ft Reverse Edge / Red Green LED Installation

DoorKing Part Numbers

8080-080

14 Ft Reverse Edge

8080-096

14 Ft Reverse Edge + Red/Green LED

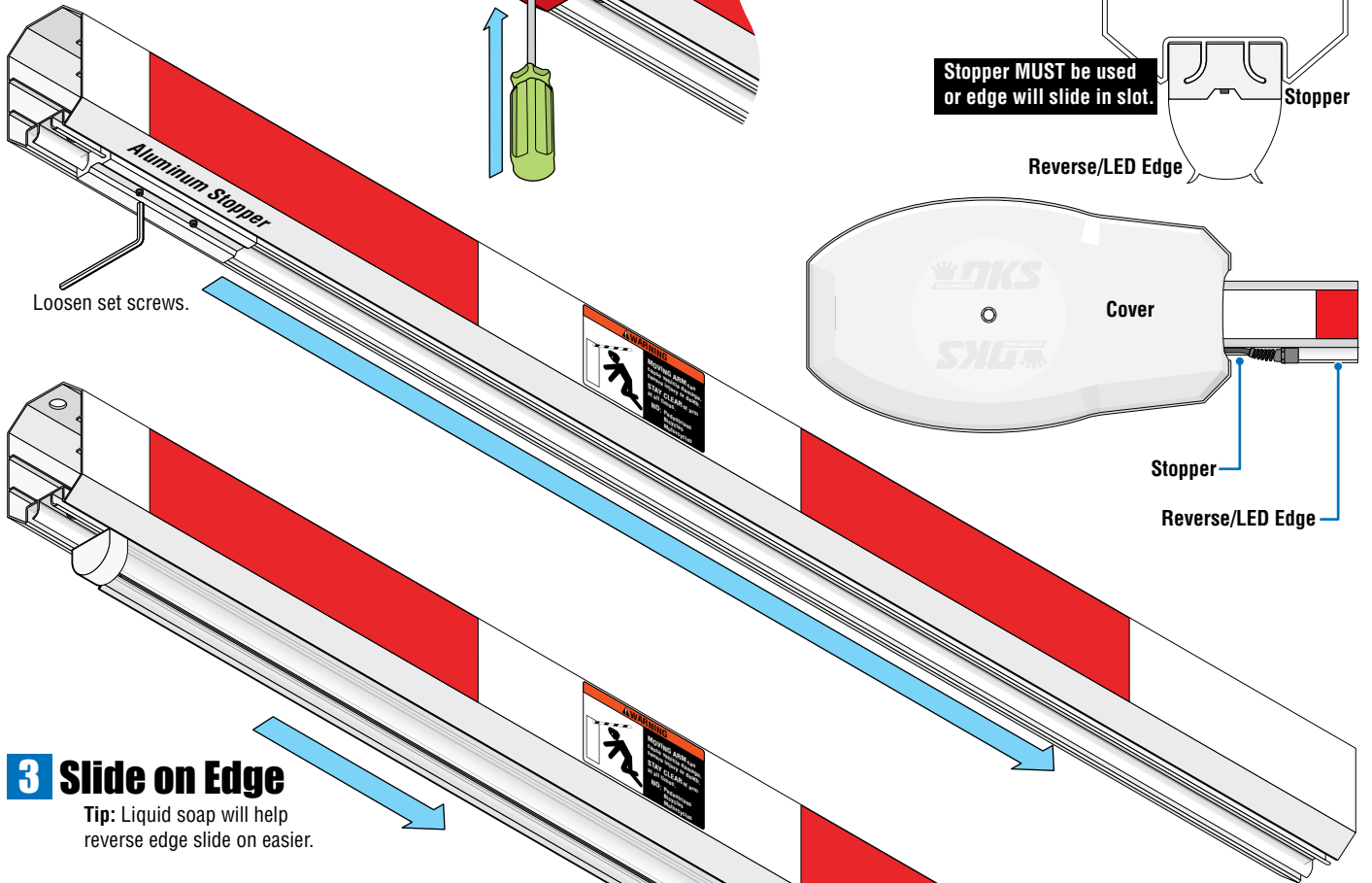
This kit is designed to install on a 14 ft 1-piece or 2-piece **octagon arm** for a 1601/1603 barrier gate operator. It **CANNOT** be used with a 1602 operator.

Note: DO NOT operate arm with a malfunctioning reverse edge.

Installation

Drawings NOT to scale

2 Slide on Stopper

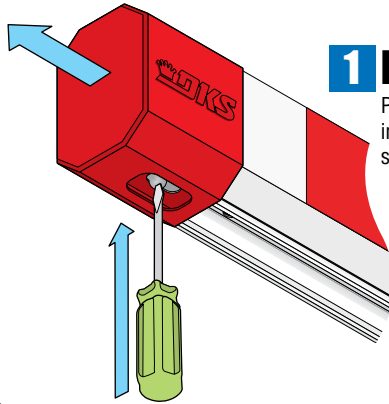


3 Slide on Edge

Tip: Liquid soap will help reverse edge slide on easier.

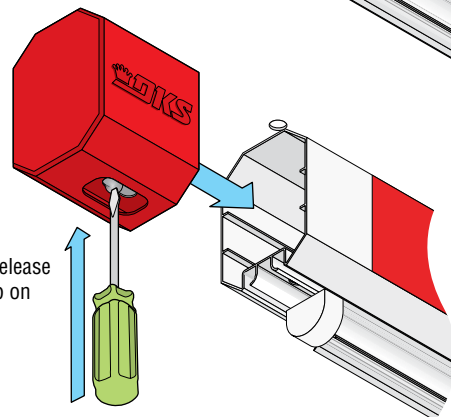
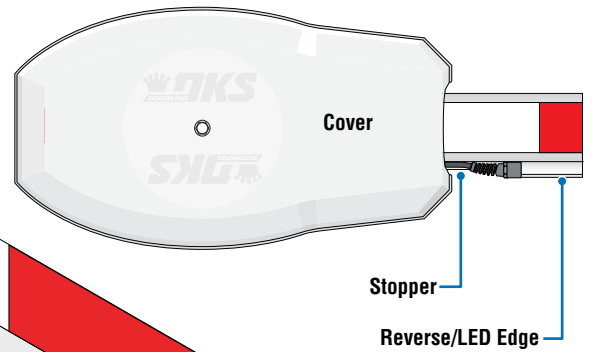
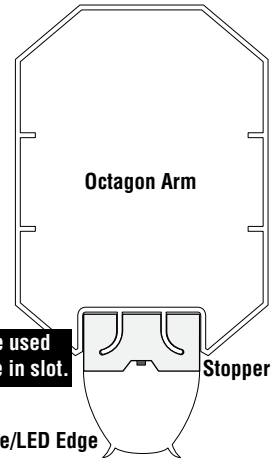
4 Reinstall End Cap

Push a screwdriver through the hole in cap to release spring **while** pushing cap on. Keep pushing cap on until a **"CLICK"** is heard which locks it in place.



1 Remove End Cap

Push a screwdriver through hole in bottom of end cap to release spring **while** pulling cap off.



Tighten set screws.

Stopper MUST be used or edge will slide in slot.

Plug connects to the 8080-356 wire harness. see page 4.

14 Ft Rubber Bumper Installation

DoorKing Part Number
8080-089
14 Ft Rubber Bumper

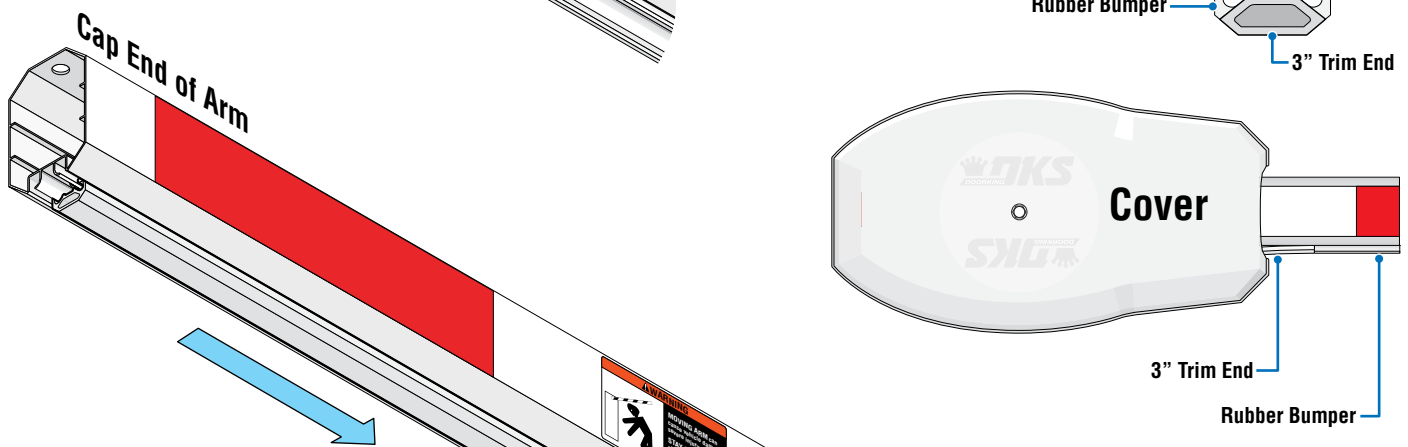
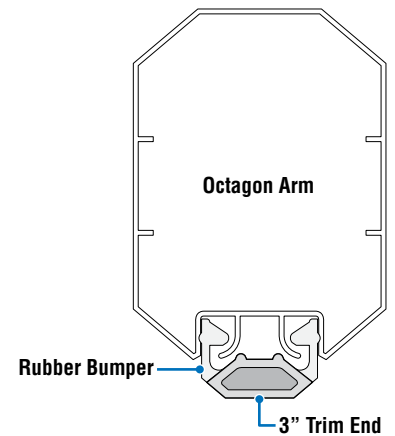
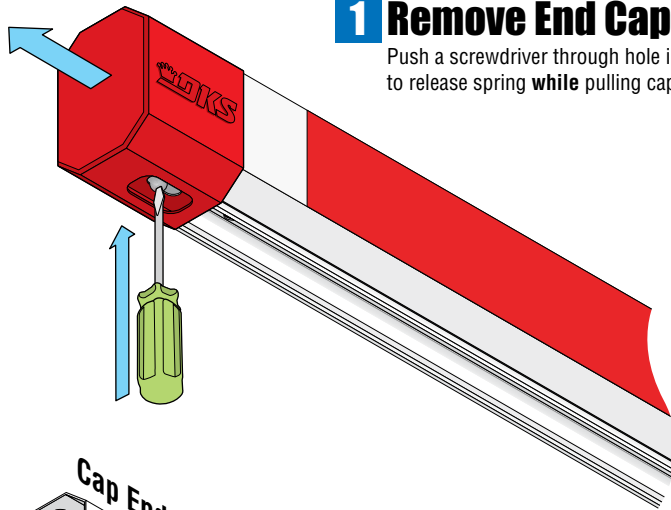
This rubber bumper is designed to install on a 14 ft 1-piece or 2-piece **octagon arm** (not included) for a 1601/1603 barrier gate operator.
It **CANNOT** be used with a 1602 operator.

Installation

Drawings NOT to scale

1 Remove End Cap

Push a screwdriver through hole in bottom of end cap to release spring **while** pulling cap off.



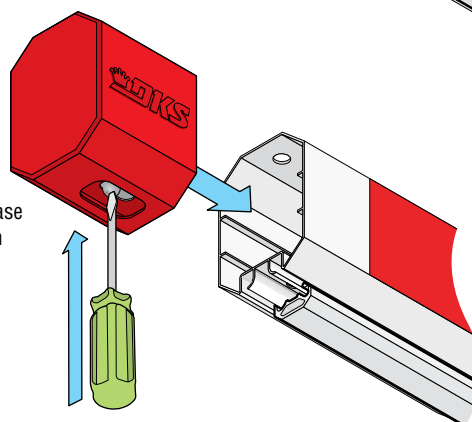
2 Slide on Rubber Bumper

The 3" trim end **MUST** side on first and it fits into the cover, see cover illustration.

Tip: Liquid soap will help rubber bumper slide on easier.

3 Reinstall End Cap

Push a screwdriver through the hole in cap to release spring **while** pushing cap on. Keep pushing cap on until a "CLICK" is heard which locks it in place.



3" trim end **MUST** be on the operator end as shown.

17 Ft Octagon Arm Assembly for a 1602 ONLY

DoorKing Part Numbers:

1602-303

Octagon Arm 3-ft Extension Kit

8080-315

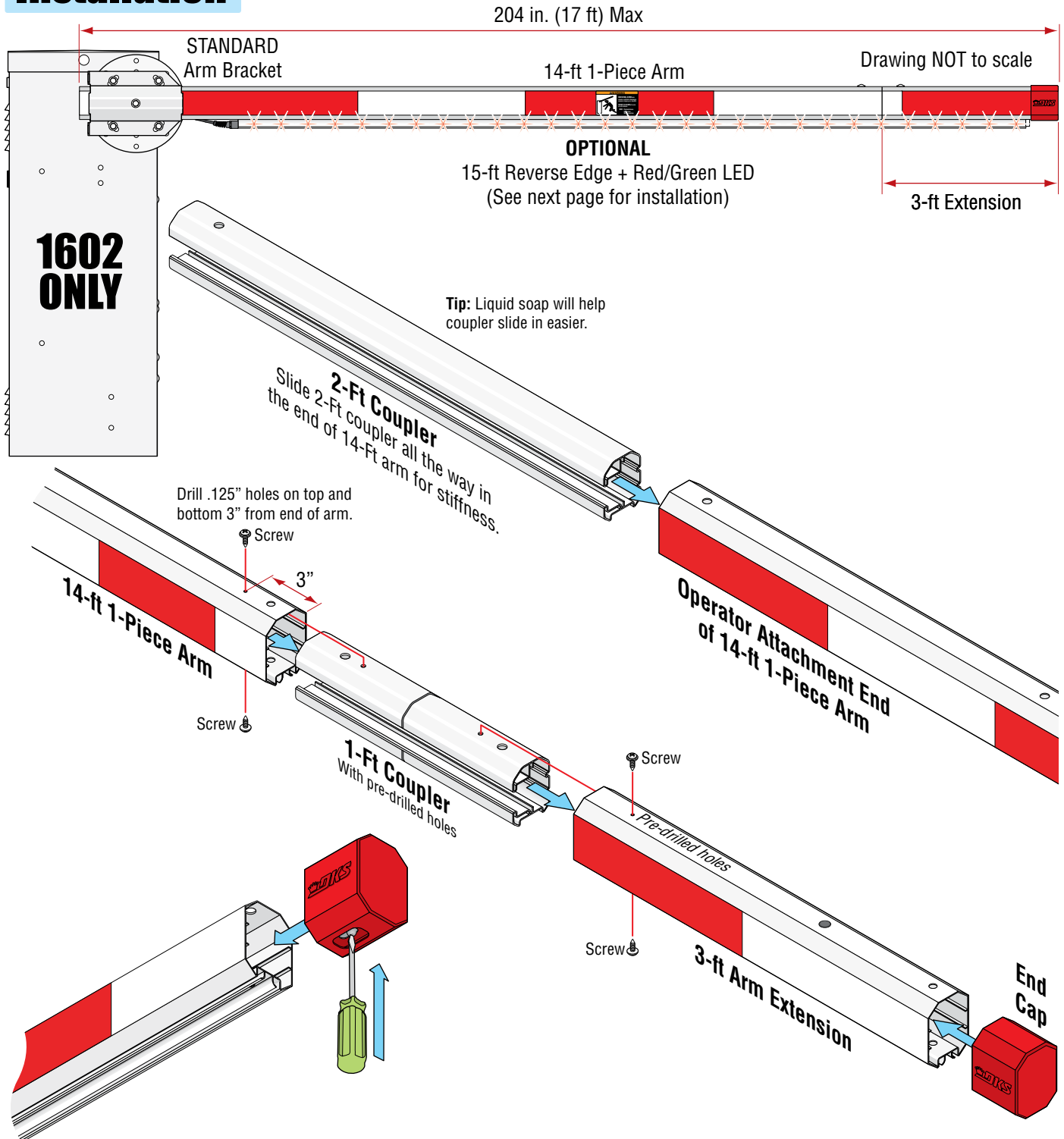
15-ft Reverse Edge + Red/Green LED

(Sold Separately)

See next page)

This kit is designed for a **1602** barrier gate operator **ONLY**. It **CANNOT** be used with 1601 barrier **OR** 1603 auto-spikes barrier operators. It will extend a 14 ft octagonal arm an **extra three feet**. The reverse edge is sold separately but **highly recommended** for safety when lowering this very long arm.

Installation



Install End Cap

Push a screwdriver through the hole in cap to release spring **while** pushing cap on. Keep pushing cap on until a "**CLICK**" is heard, locking it in place.

15 Ft Reverse Edge / Red Green LED Installation on 17 Ft Arm ONLY

DoorKing Part Number:

8080-315

15-ft Reverse Edge + Red/Green LED
(Sold Separately)

This edge will **ONLY** fit on a 14-ft octagon arm with the **3-ft extension** installed on it.

Note: DO NOT operate arm with a malfunctioning reverse edge.

Installation

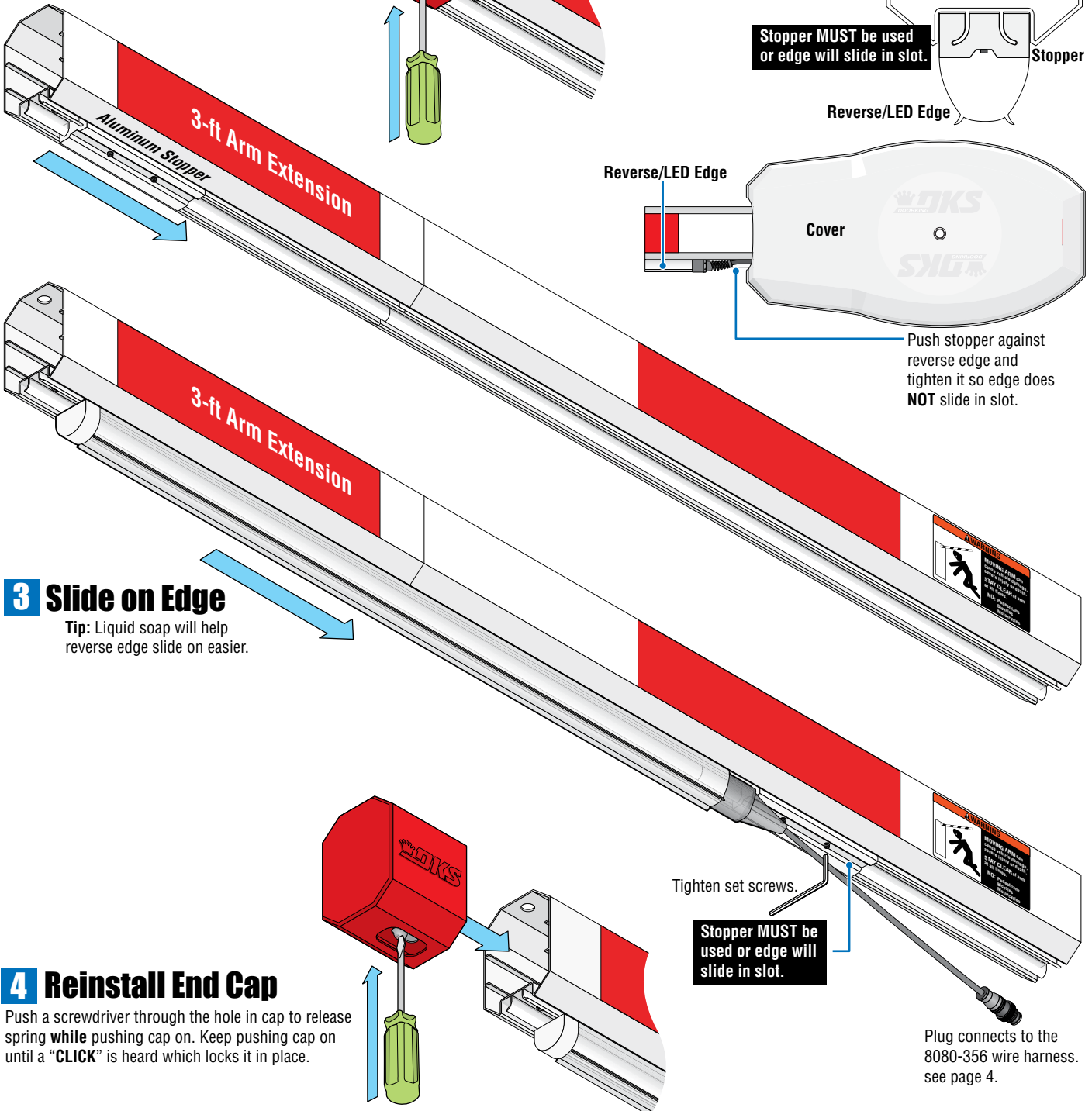
Drawings NOT to scale

2 Slide on Stopper

Loosen set screws.

1 Remove End Cap

Push a screwdriver through hole in bottom of end cap to release spring while pulling cap off.



4 Reinstall End Cap

Push a screwdriver through the hole in cap to release spring while pushing cap on. Keep pushing cap on until a "CLICK" is heard which locks it in place.

Older Existing Arm Cover

Older existing plastic arm cover will need to have a notch cut out for the reverse edge. Only one side of the cover will need to be cut out depending on which side of the operator the arm is mounted on. Use this template as a guide to remove material from the cover.

