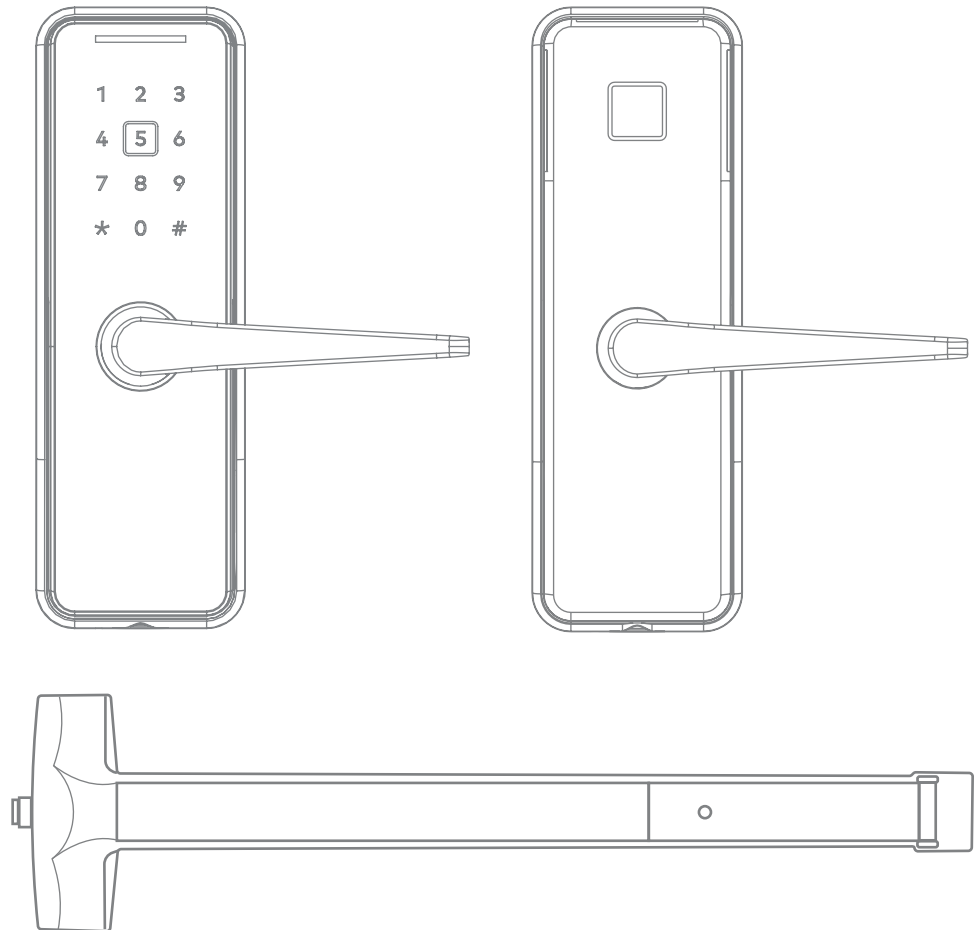


# Saffire LX Saffire EVO

Exit device operators

Installation Instructions



# Saffire LX & Saffire EVO LZ Match-up Chart

PK3713 - Table 1						
ADAPTER PLATE PART NUMBER	SECONDARY BACKPLATE	DRIL. TEMPLATE NUMBER	SVR DRILLING TEMPLATE NO.	MANUFACTURER OF EXITE DEVICE	EXIT DEVICE MODEL NUMBER	EXIT DEVICE MODEL NUMBER
041-515933-1XXX		DT-516418-1	DT-516418-15	DETEX	SURFACE	20/F20
		DT-516418-2	DT-516418-15	DORMA	SURFACE	9400/F9400
		DT-516418-1	DT-516418-15	VON DUPRIN	SURFACE	9827/9927 EO-F
		DT-516418-1	DT-516418-15	PRECISION	SURFACE	22/FL22
041-515933-1HXXX		DT-516418-1		DETEX	RIM	10/F10
		DT-516418-1		DORMA	RIM	9300/F9300
		DT-516418-2		VON DUPRIN	RIM	98/99 EO-F
		DT-516418-1		PRECISION	RIM	21/FL21
041-515933-2HXXX	041-515972	DT-516418-3	VON DUPRIN	MORTISE	9875/9975 EO-F	
041-515933-4XXX		DT-516418-4	ARROW	SURFACE	S3788	
041-515933-4HXXX		DT-516418-4	ARROW	RIM	S3888	
041-515933-5XXX		DT-516418-5	DT-516418-15	YALE	SURFACE	7170
		DT-516418-5	DT-516418-15	CORBIN RUSSWIN	SURFACE	ED5400
		DT-516418-6	DT-516418-15	HAGAR	SURFACE	4500
041-515933-5HXXX		DT-516418-5		CORBIN RUSSWIN	RIM	ED5200
		DT-516418-6		HAGAR	RIM	4500
		DT-516418-5		YALE	RIM	7100-36
041-515933-6XXX	041-515972	DT-516418-7	DT-516418-15	ARROW (OLD CHASSIS)	SURFACE	S1708/S3708
041-515933-6HXXX	041-515972	DT-516418-7		ARROW (OLD CHASSIS)	RIM	S1808/S3808
	041-515972	DT-516418-7		ARROW (NEW CHASSIS)	MORTISE	S1908/S3908
041-515933-7HXXX	041-515972	DT-516418-8		YALE	CONCEALED	7160
041-515933-8HXXX	041-515972	DT-516418-9		DORMA	CONCEALED	9100/F9100
	041-515972	DT-516418-10		VON DUPRIN	CONCEALED	9847/9947 EO-F
041-515933-9HXXX		DT-516418-11		DETEX	RIM	V40
041-515933-10XXX		DT-516418-12	DT-516418-15	SARGENT	SURFACE	8710 & 8713
041-515933-11HXXX		DT-516418-13		MONARCH	RIM	18-R
041-515933-12HXXX	041-515972	DT-516418-14		DORMA	MORTISE	9500/F9500
041-515933-13RXXX			DT-516418-15	DORMA	SURFACE	8400
041-515933-13LXXX			DT-516418-15	DORMA		
041-515933-13HRXXX				DORMA		
041-515933-13HLXXX				DORMA	RIM	8300
041-515933-14			DT-516418-15	PHI/RELIANT	SURFACE	5100/FL5100
			DT-516418-15	VON DUPRIN	SURFACE	22
041-515933-14H				PHI/RELIANT	RIM	5200/FL5200
				VON DUPRIN	RIM	22

# Table of Contents

05	1. Introduction and Disclaimers	13	5.7. Connect cables & Install Enclosure (SVR ONLY)
05	2. Definitions of Acronyms	13	5.8. Install Outside Lever Handle
05	3. Recommended Tools	13	5.9. Test Lock Functionality
06	4. Components	13	5.10. Program the lock
08	5. Installation Steps		
08	5.1. Install Key Cylinder		
09	5.2. Install Mounting Option		
10	5.3. Install the Lock Spindle		
11	5.4. Install the Lock Housing on the Door		
12	5.5. Install Exit Device		
12	5.6. Connect cables & Install Enclosure		

Models: Saffire LX and Saffire EVO LZ

**Caution:** Changes or modifications to this equipment not expressly approved by the party responsible for compliance could void the user's authority to operate the equipment.

**FCC Compliance Statement:**

This equipment has been tested and found to comply with the limits for a Class B digital device, pursuant to part 15 of the FCC Rules. These limits are designed to provide reasonable protection against harmful interference in a residential installation. This equipment generates, uses, and can radiate radio frequency energy and, if not installed and used in accordance with the instructions, may cause harmful interference to radio communications. However, there is no guarantee that interference will not occur in a particular installation. If this equipment does cause harmful interference to radio or television reception, which can be determined by turning the equipment off and on, the user is encouraged to try to correct the interference by one or more of the following measures:

- Reorient or relocate the receiving antenna.
- Increase the separation between the equipment and receiver.
- Connect the equipment into an outlet on a circuit different from that to which the receiver is connected.
- Consult the dealer or an experienced radio/TV technician for help.

Changes or modifications not expressly approved by the party responsible for compliance could void the user's authority to operate the equipment.

This device complies with part 15 of the FCC Rules. Operation is subject to the following two conditions: (1) This device may not cause harmful interference, and (2) this device must accept any interference received, including interference that may cause undesired operation.

**RF Exposure Statement:**

This equipment complies with FCC radiation exposure limits set forth for an uncontrolled environment. This transmitter must not be co-located or operating in conjunction with any other antenna or transmitter. To avoid the possibility of exceeding the FCC radio frequency exposure limits, this equipment should be installed and operated with minimum distance 20 cm between the antenna and your body during normal operation. Users must follow the specific operating instructions for satisfying RF exposure compliance.

**ISED non-interference disclaimer:**

This device complies with Industry Canada license-exempt RSS standard(s). Operation is subject to the following two conditions: (1) this device may not cause interference, and (2) this device must accept any interference, including interference that may cause undesired operation of the device.

This equipment complies with ISED RSS-102 radiation exposure limits set forth for an uncontrolled environment. This transmitter must be installed to provide a separation distance of at least 20 cm from all persons and must not be co-located or operating in conjunction with any other antenna or transmitter.

**FCC - Déclaration de conformité:**

Cet équipement a été testé et déclaré conforme aux limites d'un appareil numérique de classe B, conformément à la partie 15 des règles de la FCC. Ces limites sont conçues pour fournir une protection raisonnable contre les interférences nuisibles dans une installation résidentielle. Cet équipement génère, utilise et peut émettre de l'énergie de fréquence radio et, s'il n'est pas installé et utilisé conformément aux instructions, peut causer des interférences nuisibles aux radiocommunications. Cependant, il n'y a aucune garantie que des interférences ne se produiront pas dans une installation particulière. Si cet équipement cause des interférences nuisibles à la réception radio ou télévision, qui peuvent être déterminées en allumant et éteignant l'équipement, l'utilisateur est encouragé à essayer de corriger l'interférence par une ou plusieurs des mesures suivantes:

- Réorientez ou déplacez l'antenne de réception.
- Augmenter la distance entre l'équipement et le récepteur.
- Connectez l'équipement à une prise sur un circuit différent de celui auquel le récepteur est connecté.
- Consultez le revendeur ou un technicien radio/TV expérimenté pour obtenir de l'aide.

Les changements ou modifications non expressément approuvés par la partie responsable de la conformité pourraient annuler l'autorité de l'utilisateur à utiliser l'équipement.

Cet appareil est conforme à la partie 15 des règles de la FCC. Son fonctionnement est soumis aux deux conditions suivantes : (1) Cet appareil ne doit pas causer de dommages interférences, et (2) cet appareil doit accepter toute interférence reçue, y compris les interférences susceptibles de provoquer un fonctionnement indésirable.

**Déclaration d'exposition aux RF:**

Cet équipement est conforme aux limites d'exposition aux rayonnements de la FCC établies pour un environnement non contrôlé. Cet émetteur ne doit pas être colocalisé ou fonctionnant en conjonction avec toute autre antenne ou émetteur. Pour éviter la possibilité de dépasser l'exposition aux fréquences radio FCC limites, cet équipement doit être installé et utilisé avec une distance minimale de 20 cm entre l'antenne et votre corps en opération normal. Les utilisateurs doivent suivre les instructions d'utilisation spécifiques pour satisfaire la conformité d'exposition RF.

**ISED Déclaration de conformité:**

Le présent appareil est conforme aux CNR d'Industrie Canada applicables aux appareils radio exempts de licence. L'exploitation est autorisée aux deux conditions suivantes : (1) l'appareil ne doit pas produire de brouillage, et (2) l'utilisateur de l'appareil doit accepter tout brouillage radioélectrique subi, même si le brouillage est susceptible d'en compromettre le fonctionnement."

Cet équipement est conforme avec ISED RSS-102 des limites d'exposition aux rayonnements définies pour un environnement non contrôlé. Cet émetteur doit être installé à au moins 20 cm de toute personne et ne doit pas être colocalisé ou fonctionner en association avec une autre antenne ou émetteur.

# 1 Introduction and Disclaimers

Caution: Please read and follow all directions carefully. Wear safety glasses when making the holes.

Target Audience: These instructions are designed for use by maintenance professionals or lock installers who are familiar with common safety practices and competent to perform the steps described. dormakaba is not responsible for damage or malfunction due to incorrect installation however arising.

Important: Carefully inspect windows, doorframe, door, etc. to ensure that the recommended procedures will not cause damage. dormakaba standard warranty does not cover damages caused by installation.

Respect applicable building codes regarding handle height.

Technical Assistance

For technical assistance, call:

1.877.468.3555 / +1.514.735 5410

1.800.999.6213 / +1.248.837.3700

## 2 Definitions of Acronyms

**CNR:** charges sur les normes radioélectriques

**FCC:** Federal Communication Commission

**ISED:** Innovation, Science and Economic Development Canada

**RF:** Radio frequency

**RFID:** Radio Frequency Identification

**RSS:** Radio Standards Specifications

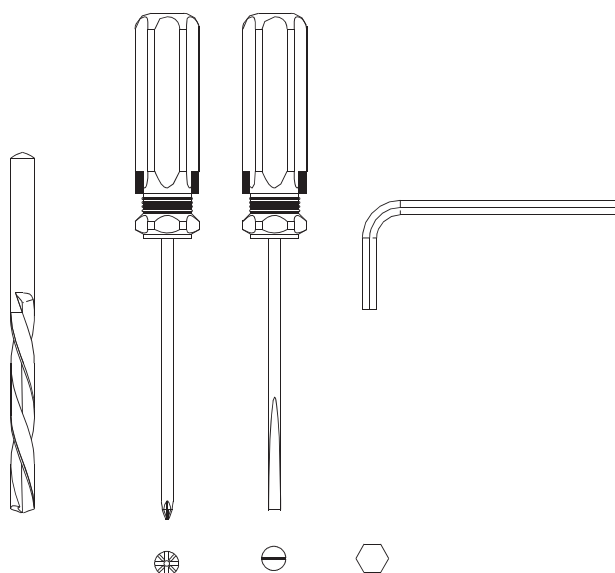
**MKO:** mechanical key override

**SVR:** Surface Vertical Rod

**EO:** Electronic Override

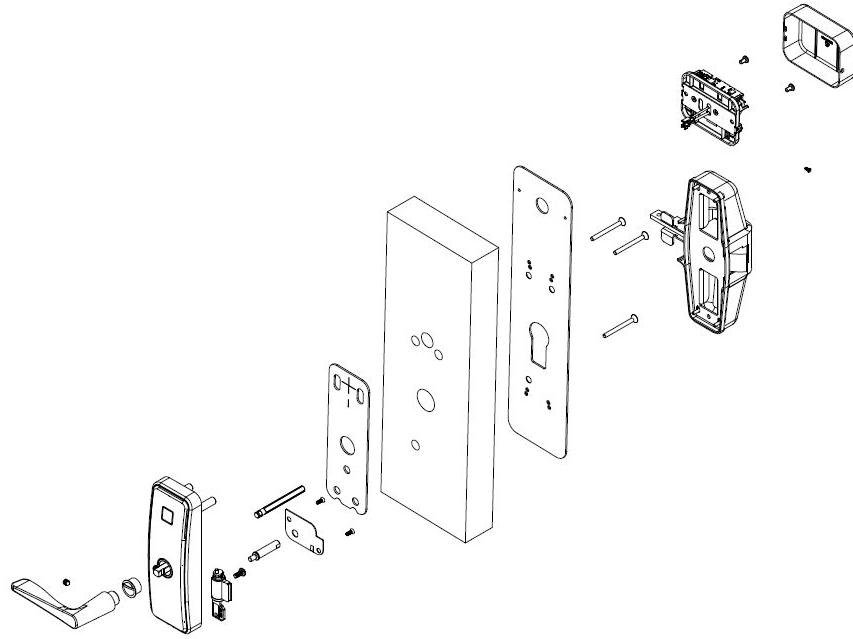
## 3 Recommended Tools (not included)

- Drill bits: 1/4" / 5/16" / 1/2" / 3/4" / 1-1/8"
- Phillips screwdriver (#2)
- Small flat screwdriver
- Hexagonal key 3mm / 1/8" (Allen Key)

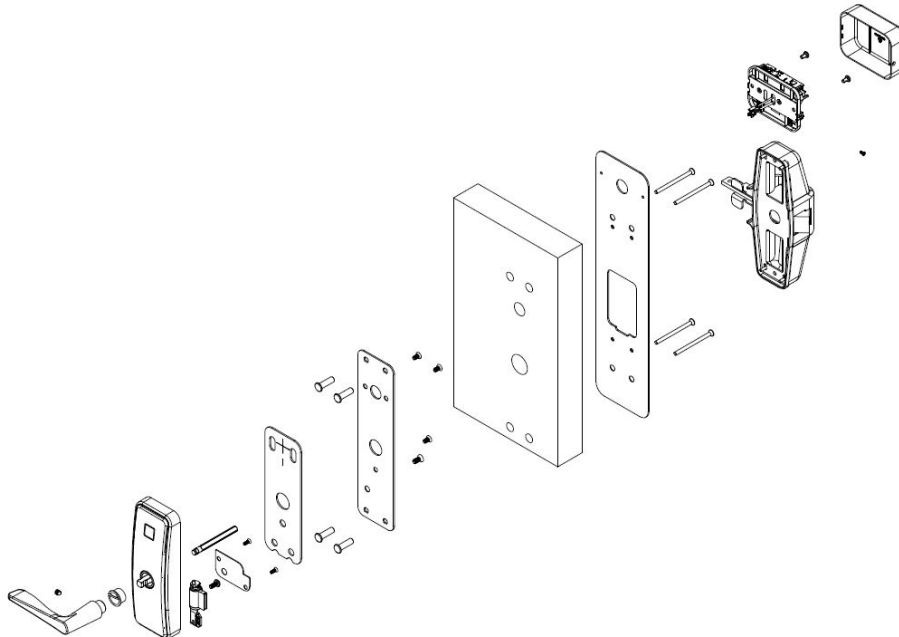


# 4 Components

Standard mounting

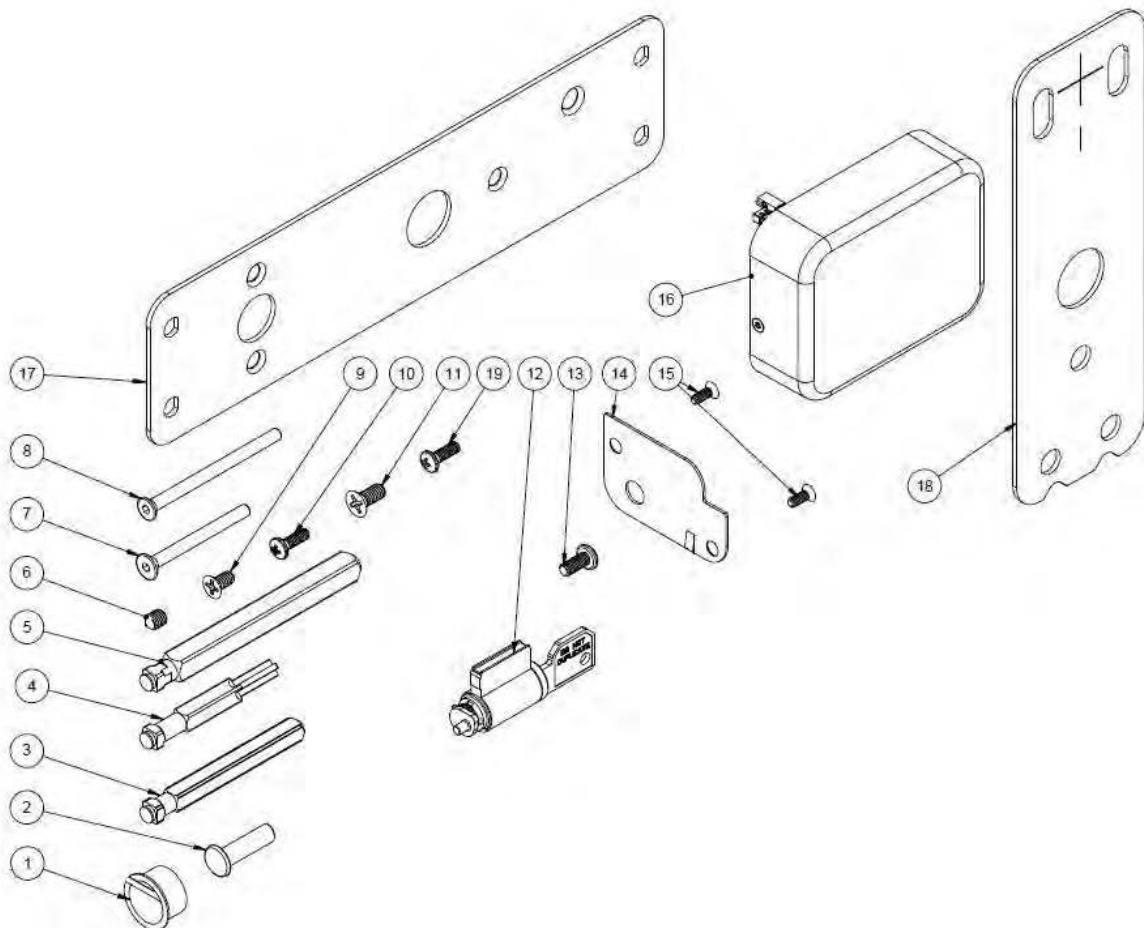


Secondary back plate mounting



## 4 Components

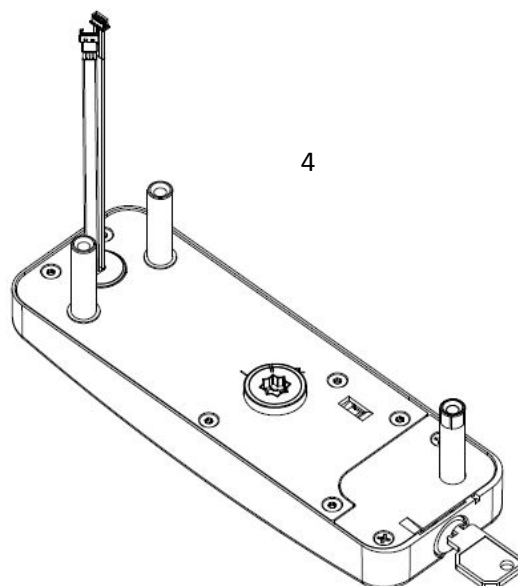
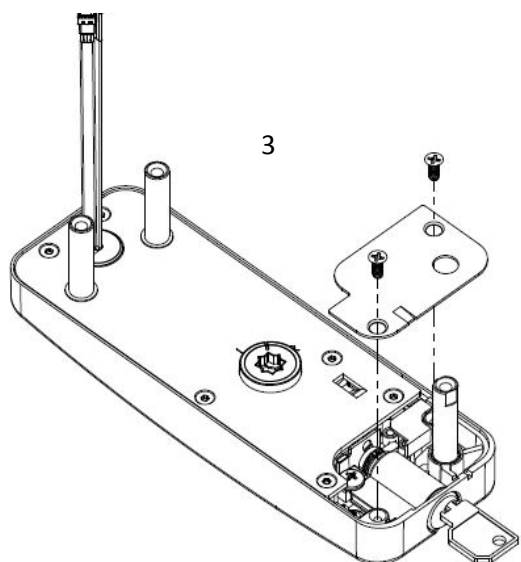
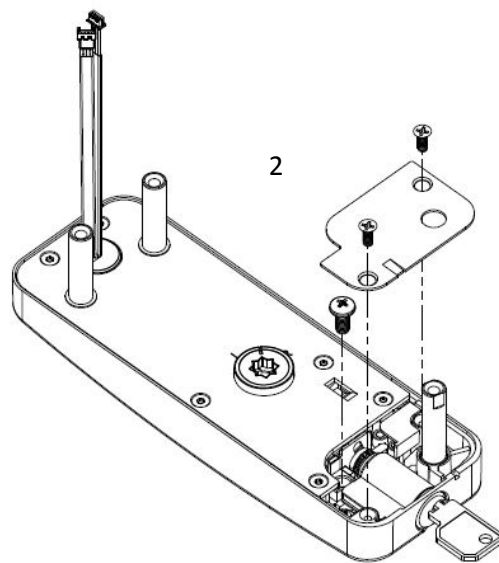
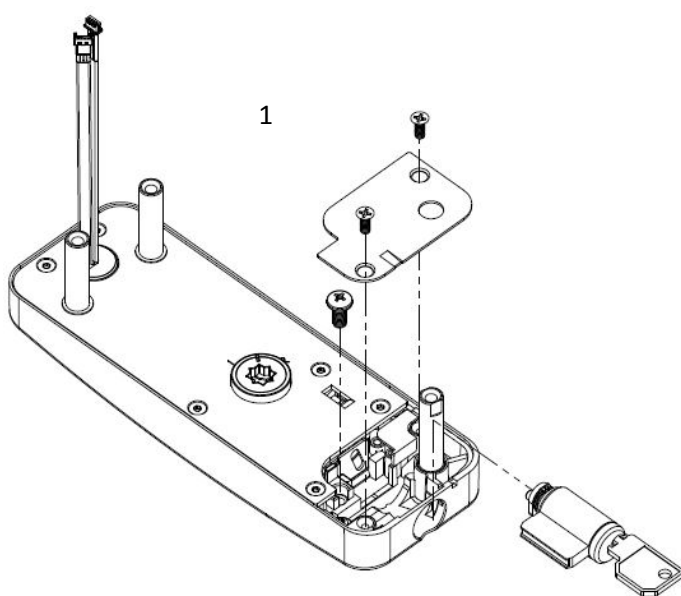
Possible hardware included with lock			
ITEM NO.	PART NUMBER	DESCRIPTION	QTY.
1	017-515483	OUTSIDE BUSHING	1
2	999-511404	BINDING BARREL 10-24	4
3	020-515480-9/10	SPINDLE LATCH EXIT DEVICE ARROW S1808/S3808; S1708/S3708; S1908/S3908; S3788	1
4	020-516459-1/2/3/4/5/6/7/8/9	SPINDLE LATCH EXIT DEVICE STANDARD	1
5	020-516465	SPINDLE LATCH MORTISE DORMA/VON DUPRIN	1
6	941-514793	SET SCREW M6 x 8MM	1
7	810-512494-B	SCREW 12-24 x 1-3/8 FLAT HEAD, HEX	3
8	810-508429-6/10	SCREW 10-24 x 1-1/2 OR 1-3/4 FLAT HEAD, HEX	4
9	810-511097-1	SCREW 10-24 x 3/8 FLAT HEAD PHILLIPS NO.2	3
10	890-514713	SCREW NO.6 x 5/8 PAN HEAD PHILLIPS	2
11	810-511411	SCREW 12-24 x 1/2 FLAT HEAD PHILLIPS NO.2	1
12	118-515979	KEY & CYLINDER SAFFIRE LX	1
13	810-516437	SCREW 10-32 x 7/16 ROUND HEAD PHILLIPS NO.2	1
14	041-515465	KEY CYLINDER ACCESS PLATE	1
15	810-509093	SCREW 6-32 x 5/16 FLAT HEAD PHILLIPS NO.2	2
16	118-515937-V	BATTERY & ANTENNA ENCLOSURE	1
17	041-515972	SECONDARY BACKPLATE	1
18	033-515996-2	LOCK GASKET	1
19	810-515193	SCREW 8-32 x 1/2 PAN HEAD PHILLIPS	2



## 5 Installation Steps

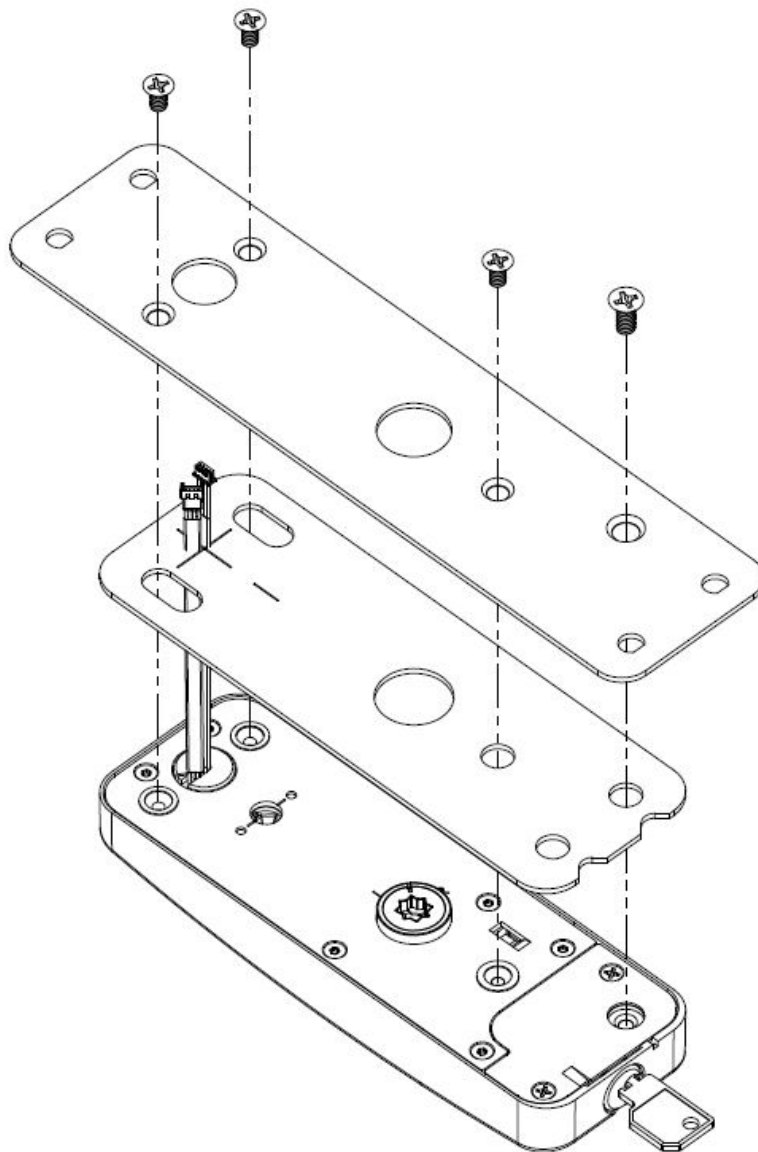
### 5.1. Install key cylinder (for MKO only)

- Insert the cylinder core in the key override housing.
- Secure the cylinder core (item 13) using screw item 13.
- Secure the access plate key cylinder item 14 over the key override housing.
- Secure the access plate using two screws item 15.



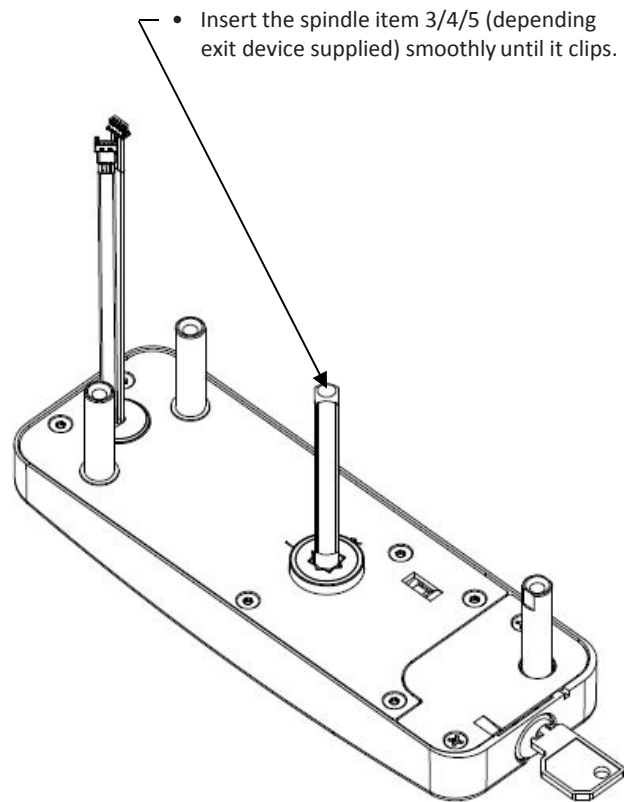
## 5.2. Install mounting option (for secondary backplate mounting only)

- If supplied with secondary backplate item 17, install gasket item 18 & secure secondary backplate item 17 into place using 3 screw items 9 & 1 screw item 11.



## 5.3. Install the lock spindle

The spindle must be installed and properly secured in the front lock housing assembly. The spindle is used to connect the handle to operate the opening and closing door mechanism.



## 5.4. Install the lock housing on the door

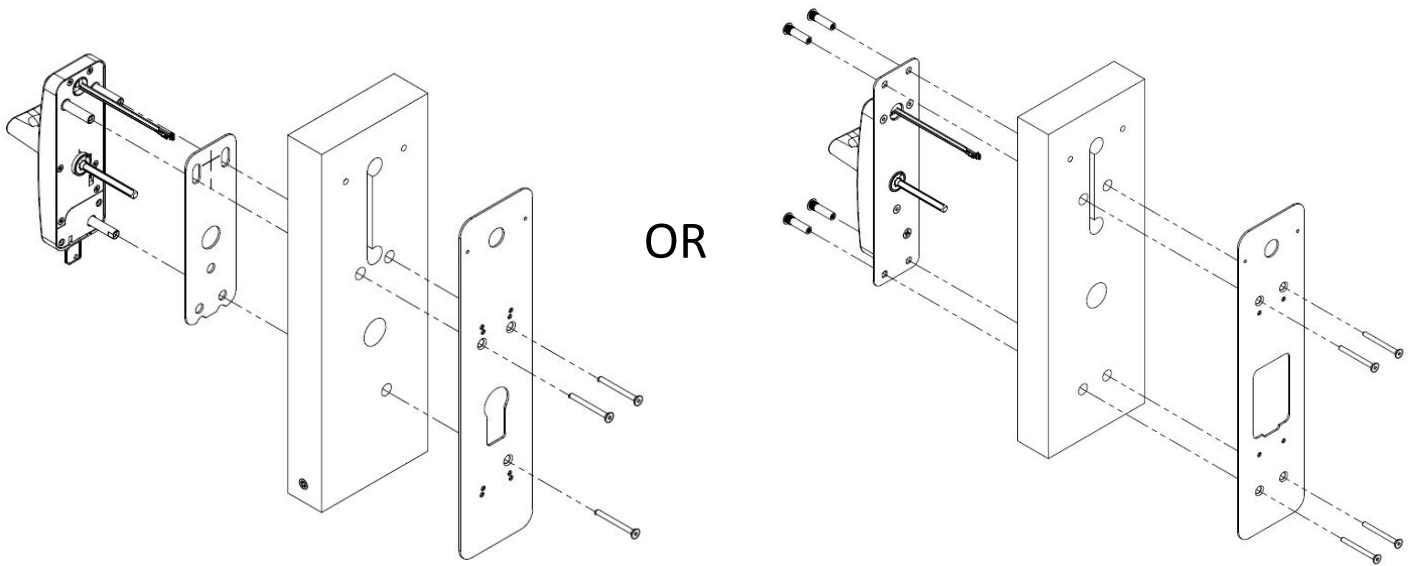
Before starting the installation of the lock on the door, please make sure the door has been prepared properly with proper holes for the lock. Refer to corresponding drilling template for your lock model. Drilling templates are available in the centerfold included in this installation manual and on the dormakaba support site ([dormakabalodgingsupport.com](http://dormakabalodgingsupport.com))

Install the housing on the door and align with the lock mechanism.

- Install the front lock housing with gasket item 19, routing the wire cable(s) by the center hole at the top & in the groove.
- Install the supplied adaptor plate and secure with 3 screw items 7.

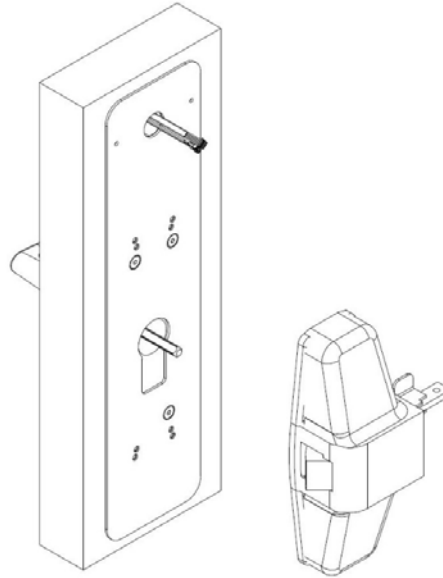
OR

- If supplied with secondary backplate item 18, secure the housing into place using 4 binding barrels item 2 with 4 screw items 8.



## 5.5. Install exit device

- Please refer to exit device manufacturer installation manual.

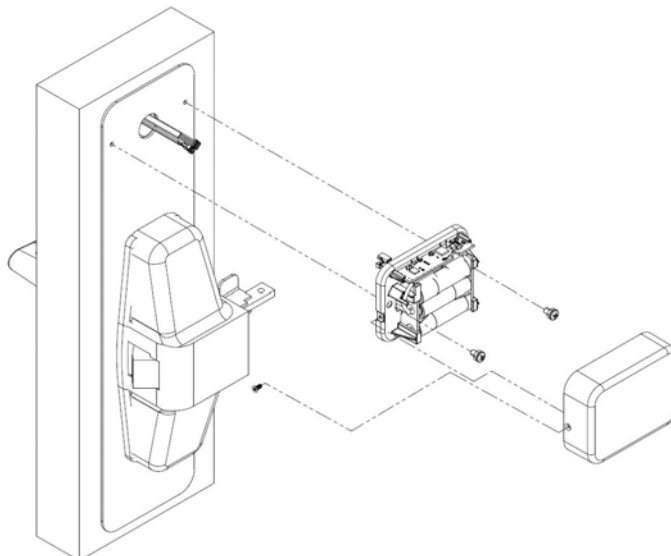


### **IMPORTANT**

**For rim and concealed mount exit devices, start with step 5.6**  
**For surface mount exit devices, start with step 5.7**

## 5.6. Connect the cables & install enclosure

- Connect each cable with its matching connector and route the excess of cable back into the hole of the door.
- Secure battery enclosure with 2 screw items 19.
- Insert the batteries in the battery holder respecting the polarity indicated in the battery holder.
- Reinstall cover with setscrew



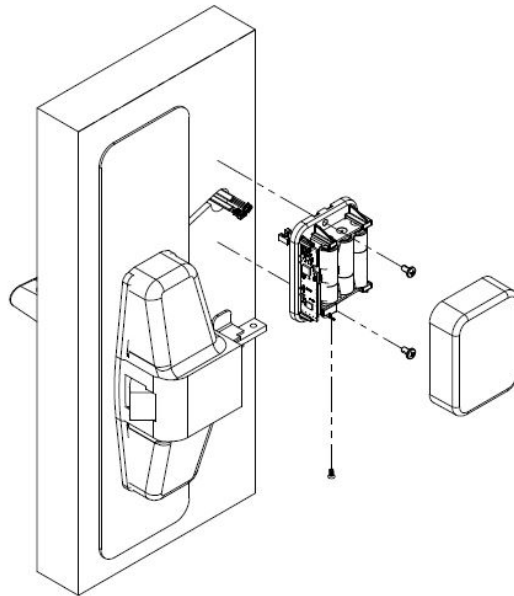
## 5.7. Connect the cables & install enclosure (SVR ONLY)

### IMPORTANT

All Surface vertical rods exit device require the use of DT-516418-15

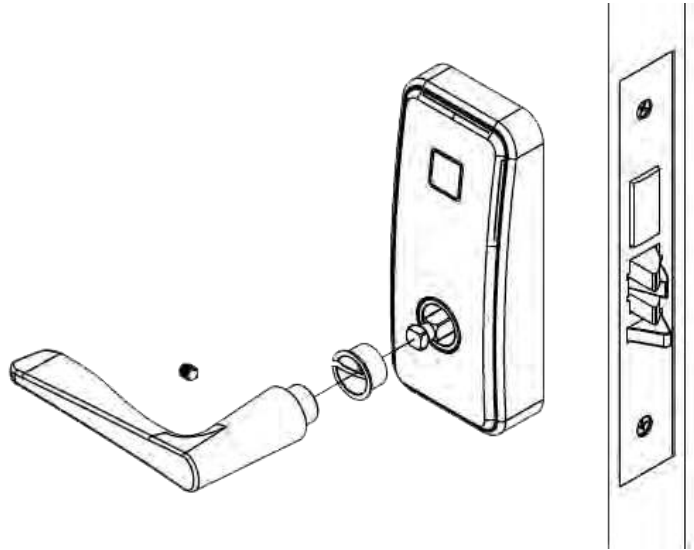
After final assembly, you must not be able to see cable groove.

- Connect each cable with its matching connector and route the excess of cable back into the hole of the door.
- Line up the enclosure in the same position as shown below with the supplied surface mount drilling template. Proceed to drill the screws into the door.
- Secure battery enclosure with 2 screw items 10
- Insert the batteries in the battery holder respecting the polarity indicated in the battery holder
- Reinstall cover with setscrew.



## 5.8. Install the outside lever handle

- Install the outside bushing item 1, making sure it is snug
- Install the outside lever handle according to the lock handing (LH/RH)
- Secure using set screw item 6.



### IMPORTANT

Use only Alkaline batteries

## 5.9. Test lock functionality

Make sure the room door is open prior testing.

- A - Present test keycard
- B - Check green & red lights flash
- C - Rotate outside lever to check bolt or rod(s) retraction
- D - Release outside lever, should move freely
- E - Push panic bar to check bolt or rod(s) retraction

## 5.10. Program the lock

Refer to dormakaba access management system user manual for lock programming.



Door  
Hardware



Electronic  
Access & Data



Mechanical  
Key Systems



Lodging  
Systems



Entrance  
Systems



Interior Glass  
Systems



Safe  
Locks



Service

## Think tomorrow

We are committed to championing sustainability in everything we do, from producing more sustainable solutions to help our customers lessen their environmental footprint to being a fair and responsible employer and neighbor.



[dormakaba.com](https://dormakaba.com)

### Customer Service

[KWSCustomerService.AMER@dormakaba.com](mailto:KWSCustomerService.AMER@dormakaba.com)

### Technical Support

[lodgingsupport@dormakaba.com](mailto:lodgingsupport@dormakaba.com)

[www.dormakabalodgingsupport.com](http://www.dormakabalodgingsupport.com)

### dormakaba USA Inc.

6161 E. 75th Street  
Indianapolis, IN 46250

T: 1 800 849 8324

[dormakaba.us](https://dormakaba.us)