

**DRAPER**<sup>®</sup>

1600W 230V 30L

**WET & DRY  
VACUUM CLEANER  
+ POWER TOOL SOCKET**  
20529

**IMPORTANT:** PLEASE READ THESE INSTRUCTIONS CAREFULLY TO ENSURE THE SAFE AND EFFECTIVE USE OF THIS PRODUCT.



CE

## INSTRUCTIONS

These instructions accompanying the product are the original instructions. This document is part of the product, keep it for the life of the product passing it on to any subsequent holder of the product. Read all these instructions before assembling, operating or maintaining this product.

This manual has been compiled by Draper Tools describing the purpose for which the product has been designed, and contains all the necessary information to ensure its correct and safe use. By following all the general safety instructions contained in this manual, it will ensure both product and operator safety, together with longer life of the product itself.

All photographs and drawings in this manual are supplied by Draper Tools to help illustrate the operation of the product.

Whilst every effort has been made to ensure the accuracy of information contained in this manual, the Draper Tools policy of continuous improvement determines the right to make modifications without prior warning.

# 1. TITLE PAGE

---

## 1.1 INTRODUCTION:

USER MANUAL FOR:

1600W 230V 30L WET & DRY VACUUM CLEANER  
+ POWER TOOL SOCKET

Stock no. 20529

Part no. WDV30SSPA

## 1.2 REVISIONS:

Date first published September 2016

Date first revised January 2017.

Date second revised February 2017.

---

---

As our user manuals are continually updated, users should make sure that they use the very latest version.

Downloads are available from: <http://www.drapertools.com/manuals>

DRAPER TOOLS LIMITED

HURSLEY ROAD

CHANDLER'S FORD

EASTLEIGH

HAMPSHIRE

SO53 1YF

UK

WEBSITE:

[drapertools.com](http://drapertools.com)

PRODUCT HELPLINE:

+44 (0) 23 8049 4344

GENERAL FAX:

+44 (0) 23 8026 0784

## 1.3 UNDERSTANDING THIS MANUALS SAFETY CONTENT:

**WARNING!** Information that draws attention to the risk of injury or death.

**CAUTION!** Information that draws attention to the risk of damage to the product or surroundings.

## 1.4 COPYRIGHT © NOTICE:

Copyright © Draper Tools Limited.

Permission is granted to reproduce this publication for personal & educational use only.

Commercial copying, redistribution, hiring or lending is prohibited.

No part of this publication may be stored in a retrieval system or transmitted in any other form or means without written permission from Draper Tools Limited.

In all cases this copyright notice must remain intact.

---

# 2. CONTENTS

---

## 2.1 CONTENTS

<b>Page content</b>	<b>Page</b>
1 TITLE PAGE	
1.1 INTRODUCTION .....	2
1.2 REVISION HISTORY .....	2
1.3 UNDERSTANDING THIS MANUAL .....	2
1.4 COPYRIGHT NOTICE .....	2
2 CONTENTS	
2.1 CONTENTS .....	3
3 GUARANTEE	
3.1 GUARANTEE .....	4
4 INTRODUCTION	
4.1 SCOPE .....	5
4.2 SPECIFICATION .....	5
4.3 HANDLING & STORAGE .....	5
5 HEALTH & SAFETY INFORMATION	
5.1 GENERAL SAFETY INSTRUCTIONS FOR POWER TOOL USE .....	6-7
5.2 CONNECTION TO THE POWER SUPPLY .....	7
6 TECHNICAL DESCRIPTION	
6.1 IDENTIFICATION .....	8
7 UNPACKING & CHECKING	
7.1 PACKAGING .....	9
7.2 WHAT'S IN THE BOX? .....	9
8 PREPARING THE VACUUM CLEANER	
8.1 ATTACH THE CASTORS .....	10
8.2 ATTACH THE HOSE .....	10
8.3 DRAIN PLUG .....	10
9 SETTING THE VACUUM CLEANER	
9.1 FITTING CLOTH FILTER .....	11
9.2 FITTING PAPER DUST BAG .....	11
9.3 ATTACHING ACCESSORIES .....	11
9.4 SWITCHING ON .....	12
9.5 DUST CLEARING BUTTON .....	12
9.6 FITTING FOAM FILTER .....	13
9.7 WET VACUUMING READY TO USE .....	13
9.8 WATER LEVEL .....	13
9.9 AFTER USE, EMPTY TANK .....	13
9.10 BLOWING OPERATION .....	14
9.11 USING THE VACUUM CLEANER IN CONJUNCTION WITH POWER TOOL DUST EXTRACTION ..	14
10 MAINTENANCE	
10.1 MAINTENANCE .....	15
11 TROUBLESHOOTING	
11.1 TROUBLESHOOTING .....	16
12 EXPLANATION OF SYMBOLS	
12.1 EXPLANATION OF SYMBOLS .....	17
13 DISPOSAL	
13.1 DISPOSAL .....	18
14 OPTIONAL ACCESSORIES	
14.1 ACCESSORIES .....	18
DECLARATION OF CONFORMITY .....	ENCLOSED

# 3. GUARANTEE

---

## 3.1 GUARANTEE

Draper tools have been carefully tested and inspected before shipment and are guaranteed to be free from defective materials and workmanship.

Should the tool develop a fault, please return the complete tool to your nearest distributor or contact Draper Tools Limited, Chandler's Ford, Eastleigh, Hampshire, SO53 1YF. England.

Telephone Sales Desk: (023) 8049 4333 or Product Helpline (023) 8049 4344.

A proof of purchase must be provided with the tool.

If upon inspection it is found that the fault occurring is due to defective materials or workmanship, repairs will be carried out free of charge. This guarantee period covering parts/labour is 12 months from the date of purchase except where tools are hired out when the guarantee period is 90 days from the date of purchase. The guarantee is extended to 24 months for parts only. This guarantee does not apply to normal wear and tear, nor does it cover any damage caused by misuse, careless or unsafe handling, alterations, accidents, or repairs attempted or made by any personnel other than the authorised Draper warranty repair agent.

Note: If the tool is found not to be within the terms of warranty, repairs and carriage charges will be quoted and made accordingly.

This guarantee applies in lieu of any other guarantee expressed or implied and variations of its terms are not authorised.

Your Draper guarantee is not effective unless you can produce upon request a dated receipt or invoice to verify your proof of purchase within the guarantee period.

Please note that this guarantee is an additional benefit and does not affect your statutory rights.

Draper Tools Limited.

## 4. INTRODUCTION

---

### 4.1 SCOPE

Stainless steel tank vacuum cleaner. Designed to pickup wet and dry materials. Ideally suited for use in the workshop and garage or DIY work around the home.

### 4.2 SPECIFICATION

Stock no. ....	20529
Part no. ....	WDV30SSPA
Rated voltage .....	230~50Hz
Rated input.....	1600W
Tank volume .....	30L
Max Vacuum pressure.....	18Kpa
Max. airflow.....	53L/sec
Power take off socket (IP54) .....	1300W Max.
Sound pressure level.....	85dB(A)
Weight .....	7.33kg

### 4.3 HANDLING & STORAGE

Care must still be taken when handling and lifting. Dropping this machine will have an effect on its performance and may also result in personal injury. This machine is not a toy and must be respected.

The environment will have a negative result on its operation if you are not careful. If the air is damp, components will rust. If the machine is unprotected from dust and debris; components will become clogged: And if not cleaned and maintained correctly or regularly the machine will not perform at its best.

# 5. HEALTH & SAFETY INFORMATION

---

## 5.1 GENERAL SAFETY INSTRUCTIONS FOR POWER TOOL USE

When using any type of power tool there are steps that should be taken to make sure that you, as the user, remain safe.

Common sense and a respect for the tool will help reduce the risk of injury.

**Read the instruction manual fully.** Do not attempt any operation until you have read and understood this manual.

Most important you must know how to safely start and stop this machine, especially in an emergency.

**Keep the work area tidy and clean.** Attempting to clear clutter from around the machine during use will reduce your concentration. Mess on the floor creates a trip hazard. Any liquid spilt on the floor could result in you slipping.

**Find a suitable location.** If the machine is bench mounted; the location should provide good natural light or artificial lighting as a replacement. Avoid damp and dust locations as it will have a negative effect on the machine's performance.

If the machine is portable; do not expose the tool to rain. In all cases do not operate power tools near any flammable materials.

**Beware of electric shock.** Avoid contact with earthed surfaces; because they can conduct electricity if there is an electrical fault with the power tool. Always protect the power cable and route it away from danger.

**Keep bystanders away.** Children, onlookers and passers by must be restricted from entering the work area for their own protection. The barrier must extend a suitable distance from the tool user.

**Unplug and house all power tools that are not in use.** A power tool should never be left unattended while connected to the power supply. They must be housed in a suitable location, away locked up and from children.

**Do not overload or misuse the tool.** All tools are designed for a purpose and are limited to what they are capable of doing. Do not attempt to use a power tool (or adapt it in any way) for an application it is not designed for. Select a tool appropriate for the size of the job. Overloading a tool will result in tool failure and user injury: This covers the use of accessories.

**Dress properly.** Loose clothing, long hair and jewellery are all dangerous because they can become entangled in moving machinery: This can also result in parts of body being pulled into the machine.

Clothing should be close fitted, with any long hair tied back and jewellery and neck ties removed. Footwear must be fully enclosed and have a nonslip sole.

**Wear personal protective equipment (PPE).** Dust, noise, vibration and **swarf** can all be dangerous if not suitably protected against. If the work involving the power tool creates dust or fumes; wear a dust mask. Vibration to the hand, caused by operating some tools for longer periods must be protected against. Wear vibration reducing gloves and allow long breaks between uses. Protect against dust and **swarf** by wearing approved safety goggles or a face shield. These are some of the more common hazards and preventions; however, always find out what hazards are associated with the machine/work process and wear the most suitable protective equipment available.

**Do not breathe contaminated air.** If the work creates dust or fumes; connect the machine (if possible) to an extraction system either locally or remotely. Working outdoors can also help if possible.

**Move the machine as instructed.** If the machine is hand held, do not carry it by the power supply cable. If the product is heavy; employ a second or third person to help move it safely or use a mechanical device. Always refer to the instructions for the correct method.

**Do not overreach.** Extending your body too far can result in a loss of balance and you falling. This could be from a height or onto a machine and will result in injury.

**Maintain your tools correctly.** A well maintained tool will do the job safely. Replace any damaged or missing parts immediately with original parts from the manufacturer. As applicable; keep blades sharp; moving parts clean, oiled or greased; handles clean; and emergency devices working.

**Wait for the machine to stop.** Unless the machine is fitted with a safety brake; some parts may continue to move due to momentum. Wait for all parts to stop; then unplug it from the power supply before making any adjustments, carrying out maintenance operations or just finishing using the tool.

## 5. HEALTH & SAFETY INFORMATION

---

**Remove and check setting tools.** Some machinery requires the use of additional tools or keys to set, load or adjust the power tool. Before starting the power tool always check to make certain they have been removed and are safely away from the machine.

**Prevent unintentional starting.** Before plugging any machine in to the power supply, make sure the switch is in the OFF position. If the machine is portable; do not hold the machine near the switch and take care when putting the machine down; that nothing can operate the switch.

**Carefully select an extension lead.** Some machines are not suitable for use with extension leads. If the tool is designed for use outdoors; use an extension lead also suitable for that environment. When using an extended lead, select one capable of handling the current (amps) drawn by the machine in use. Fully extend the lead regardless of the distance between the power supply and the tool. Excess current (amps) and a coiled extension lead will both cause the cable to heat up and can result in fire.

**Concentrate and stay alert.** Distractions are likely to cause an accident. Never operate a power tool if you are under the influence of drugs (prescription or otherwise), including alcohol or if you are feeling tired. Being disorientated will result in an accident.

**Have this tool repaired by a qualified person.** This tool is designed to conform to the relevant international and local standards and as such should be maintained and repaired by someone qualified; using only original parts supplied by the manufacturer: This will ensure the tool remains safe to use.

### 5.2 CONNECTION TO THE POWER SUPPLY

Make sure the power supply information on the machine's rating plate are compatible with the power supply you intend to connect it to.

These vacuum cleaners come supplied with a UK standard 3 pin plug fitted. It is designed for connection to a domestic power supply rated at 230V AC.

Apart from replacing the fuse in the plug, no other electrical work is recommended on this product.

If an extension lead is required, use an approved and compatible lead rated for this appliance. Follow all the instruction supplied with the extension lead.

#### **CAUTION: Risk of electric shock. Do not open.**

This appliance is supplied with a moulded 3 pin mains plug for your safety. The value of the fuse fitted is marked on the pin face of the plug. Should the fuse need replacing, ensure the substitute is of the correct rating, approved to BS1362 and ASTA or BS Kite marked.

ASTA   
BSI 


The fuse cover is removable with a small plain slot screwdriver. Ensure the fuse cover is replaced before attempting to connect the plug to an electrical outlet. If the cover is missing, a replacement must be obtained or the plug replaced with a suitable type.

If a replacement plug is to be fitted this must be carried out by a qualified electrician.

The damaged or incomplete plug, when cut from the cable shall be disabled to prevent connection to a live electrical outlet.

This appliance is Class I<sup>†</sup> and is designed for connection to a power supply matching that detailed on the rating label and compatible with the plug fitted.

If an extension lead is required, use an approved and compatible lead rated for this appliance. Follow all the instruction supplied with the extension lead.

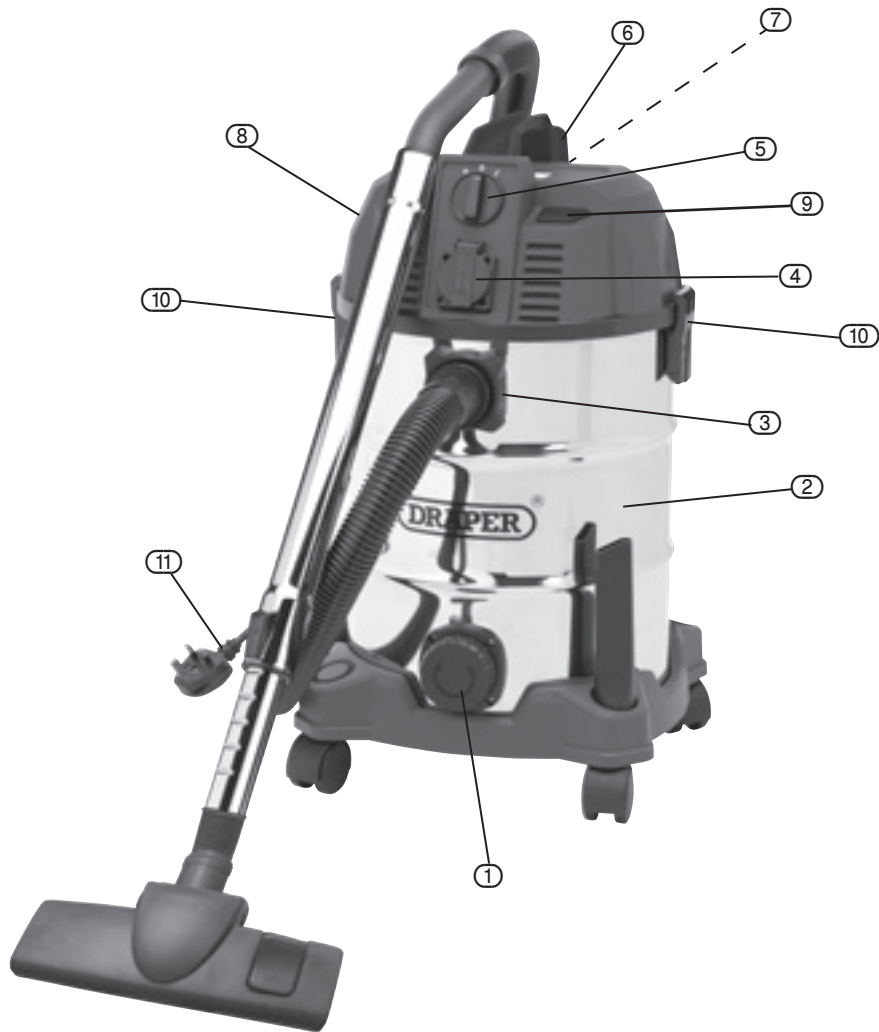
<sup>†</sup>Earthed : This product requires an earth connection to protect against electric shock from accessible conductive parts in the event of a failure of the basic insulation.

Draper Tools recommend that this vacuum is used with an RCD (Residual Current Device),  
Draper Stock No.69307.

# 6. TECHNICAL DESCRIPTION

---

## 6.1 IDENTIFICATION



- |                                |                        |
|--------------------------------|------------------------|
| ① Drain plug                   | ⑦ Exhaust port         |
| ② Tank (Stainless steel)       | ⑧ Power head           |
| ③ Vacuum port                  | ⑨ Dust clearing button |
| ④ Power tool socket            | ⑩ Clasps               |
| ⑤ ON, OFF or power tool switch | ⑪ Cable and plug       |
| ⑥ Handle Clasps                |                        |

# 7. UNPACKING & CHECKING

## 7.1 PACKAGING

Carefully remove the product from the packaging and examine it for any sign of damage that may have happened during shipping. Lay the contents out and check them against the parts shown below. If any part is damaged or missing; please contact the Draper Helpline (the telephone number appears on the Title page) and do not attempt to use the product.

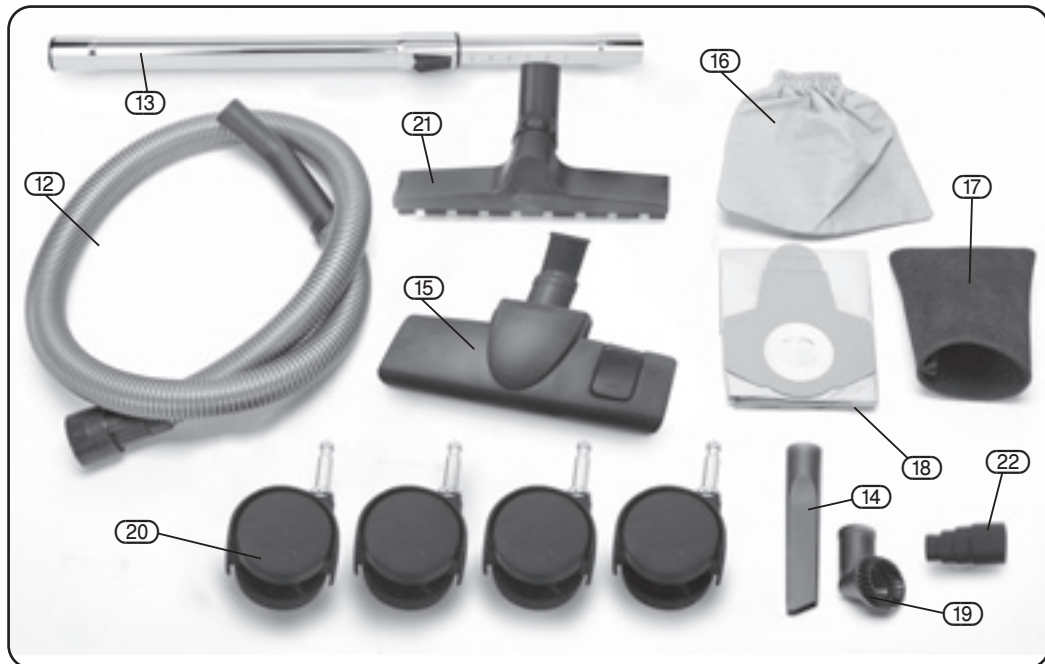
The packaging material should be retained at least during the guarantee period: in case the machine needs to be returned for repair.

Warning! Some of the packaging materials used may be harmful to children. Do not leave any of these materials in the reach of children.

If any of the packaging is to be thrown away, make sure they are disposed of correctly; according to local regulations.

## 7.2 WHAT'S IN THE BOX?

As well as the vacuum assembly; there are several parts not fitted or attached to it.



- (12) 2m suction hose
- (13) Telescopic extension tube
- (14) Crevice Tool
- (15) Metal floor vacuum head
- (16) Reusable cloth filter
- (17) Foam filter

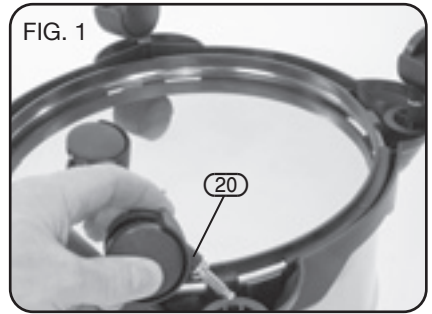
- (18) Dust bag
- (19) Round brush
- (20) Castors x4
- (21) Plastic/rubber floor head (wet)
- (22) Adaptor

## 8. PREPARING THE VACUUM CLEANER

### 8.1 ATTACH THE CASTORS - FIG. 1

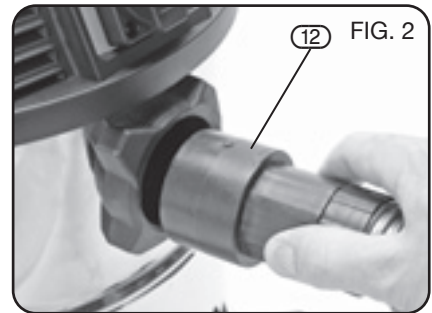
Warning! Do not make any of the following adjustments with the vacuum cleaner connected to the power supply.

With the Power head taken off turn the container upside down, slot the four castors (20) in position.



### 8.2 ATTACH THE HOSE - FIG. 2

Insert the large end of the hose (12) into the vacuum port (3) and lock it by pushing and twisting as shown will lock it in position.



### 8.3 DRAIN PLUG - FIG. 3

Insure that the drain plug (1) is fitted in position before using the vacuum cleaner for any operation.

NOTE: Now the vacuum cleaner is assembled, you need to decide what function the vacuum cleaner is to be used for, either Dry / Wet vacuuming or Blowing and amend filters as instructed in the further sections of this manual.



## 9. SETTING THE VACUUM CLEANER

### DRY VACUUMING

#### 9.1 FITTING CLOTH FILTER - FIG 4

Warning! Do not make any of the following adjustments with the vacuum cleaner connected to the power supply.

NOTE: Insure that the tank and all accessories are dry if used previously for wet vacuuming.

Slide the cloth filter (16) over the float cage, insure that it completely covers down to the base.



#### 9.2 FITTING PAPER DUST BAG - FIG 5

Fix the paper dust bag (14) to the inner side of the hose connector in the tank as shown. When using the paper dust bag, dirt can be removed more hygienically.

Note: As suction power decreases, replace the paper dust bag with a new one.



#### 9.3 ATTACH ACCESSORIES - FIG. 6

Replace top, push down to engage the clasps.

Choose which combination of accessories is needed to be used for the job.



## 9. SETTING THE VACUUM CLEANER

### 9.4 SWITCHING ON - FIG. 7

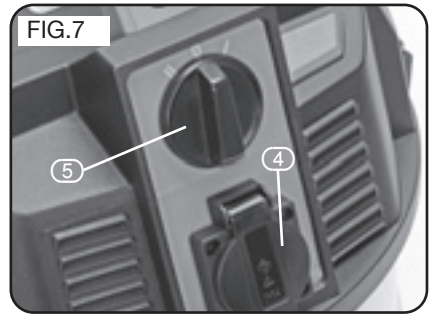
Connect the vacuum cleaner to the power supply and switch the vacuum cleaner on by turning the switch knob (5) to position "I". Now use the vacuum cleaner as normal.

**NOTE:** The power tool socket (4) is live in switch position "0" so a power tool can be used without having the vacuum cleaner switched on.

The power tool socket (4) is live in switch position "0" so a power tool can be used in a different area to that being vacuumed.

**WARNING:** EXPLOSION AND FIRE HAZARD.

Never vacuum asbestos, inflammable fluids, such as petrol, oil, solvents etc. Do not operate near inflammable fluids or gas. Never vacuum fluids or material hotter than 60°C, such as burning cigarettes, ashes, glowing coals etc.



### 9.5 DUST CLEARING BUTTON - FIG. 8

This button is used clear the cloth filter of dust build up. The dust adhered to the filter is blown and shaken off, causing it to fall back into tank.

Block the hose inlet, push and release the dust clearing button (9) to quickly blast off dirt from pleated filter and restore suction power.

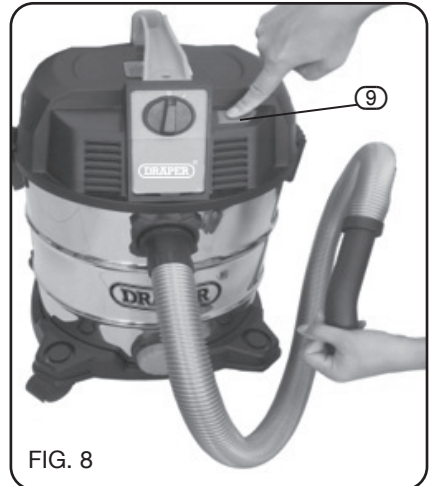


FIG. 8

## 9. SETTING THE VACUUM CLEANER

### WET VACUUMING

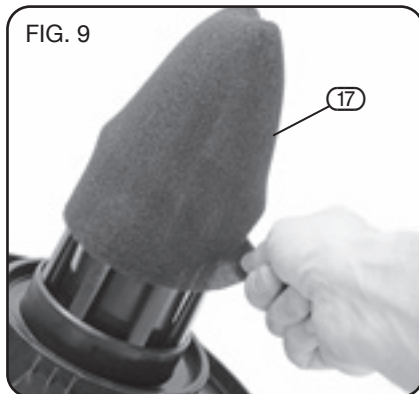
#### 9.6 FITTING FOAM FILTER - FIG 9

Warning! Do not make any of the following adjustments with the vacuum cleaner connected to the power supply.

Empty the tank and dispose of any dirt/dust which may have been picked up previously.

Now fit the foam filter (17). This slides over the float cage as shown.

NEVER VACUUM DRY DUST AND DIRT WITH THIS FILTER FITTED AS IT WILL PROVIDE LITTLE OR NO PROTECTION RESULTING IN MOTOR DAMAGE.



#### 9.7 WET VACUUMING READY TO USE - FIG 10

Refit the Power head (8) down onto the top of the vacuum cleaner.

Attach the desired attachments, connect to power and then turn on by flipping the power switch to the (I) position.



#### 9.8 WATER LEVEL

To ensure the air flow is adequate, we recommend that the end of the nozzle is not totally immersed.

When the fluids have reached the highest permissible level in the tank, the float regulator will cover the motor air inlet causing the motor to work harder, it will become noisier, at this point turn off and empty the tank.

#### 9.9 AFTER USE, EMPTY TANK - FIG 11

The cleaner is fitted with a drain plug which makes it easier to empty water out of the tank into an open drain.



## 9. SETTING THE VACUUM CLEANER

---

### 9.10 BLOWING OPERATION

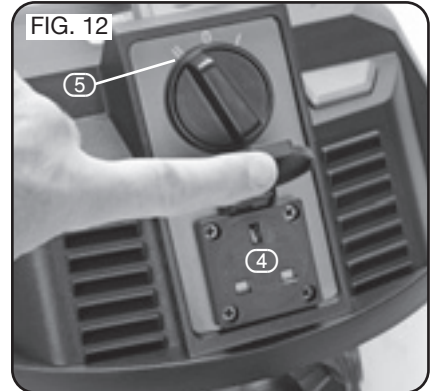
Warning! Do not make any of the following adjustments with the vacuum cleaner connected to the power supply.

Attach the flexible hose to the exhaust port (7), the unit will now blow through the vacuum hose. It can be used to clear obstructions within the pipe.

Warning: If the hose is still blocked after a few seconds, turn off the unit and clear the hose manually.

### 9.11 USING THE VACUUM CLEANER IN CONJUNCTION WITH POWER TOOL DUST EXTRACTION - FIGS. 12 - 13

Plug the power lead from the power tool into socket (4). Switch the power switch (5) to the 'I' position. When the power tool starts the vacuum will start one second later, when the power tool is turned off the vacuum cleaner will run-on for approx. 5 seconds before turning off. Use the adaptor supplied to attach the vacuum tube to the tools dust extraction port.



# 10. MAINTENANCE

---

## 10.1 MAINTENANCE

**Warning!** Do not make any of the following adjustments with the vacuum cleaner connected to the power supply.

Disconnect the hose from the container.

Undo clasps and remove the top section from the container.

Clear all dirt or debris from the container and hose.

Check the hoses, attachments, and power cord to verify that they have not been damaged.

**Important:** Clean or change the cloth filter regularly for best performance.

Always use cloth filter for dry vacuuming.

If the machine is used without the cloth filter, the motor will burn out and the warranty will be voided. Always keep spare filters on-hand.

**Notice:** The filters included are made of high quality materials designed to stop small dust particles. The cloth filter should be used for dry pick-up only. A dry cloth filter is necessary to pick up dust. If the cloth filter is wet, it will clog quickly and be very difficult to clean. Handle the filter carefully when removing it for cleaning and replacing it. Check the filters for tears or small holes, a small hole can let dust pass through and out of the cleaner. Do not use a filter with holes or tears, replace it immediately.

Clean the reusable cloth filter by gently tapping or brushing dirt off. Cleaning should not be done indoors in living areas.

Use a mild soap and water solution to wash the cloth filter, then rinse well in clean water. Allow the filter to dry before installing back onto the filter cage.

Cleaning the foam sleeve filter should be cleaned using a mild soap and water solution to wash the filter, then rinse well in clean water.

Allow the filter to air dry before installing back onto the filter cage.

Regular inspection and cleaning reduces the necessity for maintenance operations and will keep your cleaner in good working condition.

If the replacement of the supply cord is necessary, this has to be done by the manufacturer or his agent in order to avoid a safety hazard.

Remove the plug from the socket before carrying out adjustment, servicing or maintenance.

# 11. TROUBLESHOOTING

## 11.1 TROUBLESHOOTING

**WARNING:** For your own safety, turn the switch off and remove the plug from the power supply socket.

PROBLEM	POSSIBLE CAUSE	REQUIRED ACTION
<ul style="list-style-type: none"><li>• Vacuum will not operate.</li></ul>	<ul style="list-style-type: none"><li>• No power supply.</li><li>• Faulty power cord.</li><li>• Container full of liquid.</li></ul>	<ul style="list-style-type: none"><li>• Check power supply - cord, breakers, fuses.</li><li>• Check the power cord and repair it or replace it if necessary.</li><li>• Empty container.</li></ul>
<ul style="list-style-type: none"><li>• Dust comes from motor cover.</li></ul>	<ul style="list-style-type: none"><li>• The cloth filter is missing or damaged.</li></ul>	<ul style="list-style-type: none"><li>• Attach or replace cloth filter.</li></ul>
<ul style="list-style-type: none"><li>• Reduced efficiency and motor/speed vibration..</li></ul>	<ul style="list-style-type: none"><li>• There is a blockage in the nozzle, the hose, or the container inlet, or the cloth filter is blocked by fine dust.</li></ul>	<ul style="list-style-type: none"><li>• Check the nozzle, the hose, and the container inlet for blockage. Take off the cloth filter, and wash and clean it. Reuse it when it is dry. It is recommended to use a new cloth filter.</li></ul>

**IMPORTANT:** Please note all repairs/service should be carried out by a qualified person.

# 12. EXPLANATION OF SYMBOLS

---

## 12.1 EXPLANATION OF SYMBOLS



Warning!  
Read the instruction manual



Warning!  
Wear suitable eye/face protection.



Warning!  
Wear suitable respiratory protection.



Warning!  
Wear suitable ear protection.



For indoor use.  
Do not expose to rain.



WEEE  
Do not dispose of Waste Electrical  
& Electronic Equipment in with  
domestic rubbish

# 13. DISPOSAL

---

## 13.1 DISPOSAL

- At the end of the machine's working life, or when it can no longer be repaired, ensure that it is disposed of according to national regulations.
- Contact your local authority for details of collection schemes in your area.

In all circumstances:

- Do not dispose of power tools with domestic waste.
- Do not incinerate.
- Do not abandon in the environment.
- Do not dispose of WEEE\* as unsorted municipal waste.



\* Waste Electrical & Electronic Equipment.

# 14. OPTIONAL ACCESSORIES

---

## 14.1 ACCESSORIES

Stock No.	Part No.	Accessory
68312	AWDV30SSPA-43	Retractable metal suction tube
67818	AWDVSS-45	Filter foam
67819	AWDVSS-46	Wet brush
67999	AWDVSS-47	Crevice tool
68304	AWDV30SSB-48	Paper bag x3
68049	AWDVSS-49	Cloth filter
68301	AWDVSS-50	Round brush
68315	AWDV30SSB	Hose
68316	AWDV30SSPA-56	Metal floor head



## CONTACTS

- **DRAPER TOOLS LIMITED,**  
Hursley Road, Chandler's Ford,  
Eastleigh, Hampshire. SO53 1YF. U.K.
- **Helpline:** (023) 8049 4344
- **Sales Desk:** (023) 8049 4333
- **Internet:** [www.drapertools.com](http://www.drapertools.com)
- **E-mail:** [sales@drapertools.com](mailto:sales@drapertools.com)
- **Sales Fax:** (023) 8049 4209
- **General Enquiries:** (023) 8026 6355
- **Service/Warranty Repair Agent**  
For aftersales servicing or warranty repairs, please contact the Draper Tools Helpline for details of an agent in your local area.

YOUR DRAPER STOCKIST

RDDH0117

©Published by Draper Tools Limited.

No part of this publication may be reproduced, stored in a retrieval system or transmitted in any form or by any means, electronic, mechanical photocopying, recording or otherwise without prior permission in writing from Draper Tools Ltd.