

EN

Original Instructions
Version 1

DRAPER[®]

12V 1200A LITHIUM

JUMP STARTER & TYRE INFLATOR

23722



**UK
CA** **CE**



IMPORTANT: This product must be charged immediately after purchase and recharged every 3 months to maintain its performance.

These are the original product instructions. This document is part of the product; retain it for the life of the product, passing it on to subsequent holders. Read this manual in full before attempting to assemble, operate or maintain this product.

This Draper Tools manual describes the purpose of the product and contains all the necessary information to ensure its correct and safe use. Following all the instructions and guidance in this manual will ensure the safety of both the product and the operator and increase the lifespan of the product.

All photographs and drawings within this manual are supplied by Draper Tools to help illustrate correct operation of the product.

Every effort has been made to ensure the information contained in this manual is accurate. However, Draper Tools reserves the right to amend this document without prior warning. Always use the latest version of the product manual.

1.1 Product Reference

User Manual for: Lithium Jump Starter

Stock No: 23722

Part No: GT1200C

1.2 Revisions

Version 1: April 2024

First release

For the latest version of this manual and the associated parts list, if applicable, please visit drapertools.com/manuals.

1.3 Understanding the Safety Content of This Manual



WARNING! – Situations or actions that may result in personal injury or death.



CAUTION! – Situations or actions that may result in damage to the product or surroundings.

Important: – Information or instructions of particular importance.

1.4 Copyright © Notice

Copyright © Draper Tools Limited.

Permission is granted to reproduce this manual for personal and educational use **ONLY**. Commercial copying, redistribution, hiring or lending is strictly prohibited.

No part of this manual may be stored in a retrieval system or transmitted in any other form or means without written permission from Draper Tools Limited.

In all cases, this copyright notice must remain intact.

1. Preface	2
1.1 Product Reference	2
1.2 Revisions	2
1.3 Understanding the Safety Content of This Manual	2
1.4 Copyright © Notice	2
2. Contents	3
3. Product Introduction	4
3.1 Intended Use	4
3.2 Specification	4
4. Health and Safety Information	5-7
4.1 Vehicle Battery Health & Safety Precautions	5
4.2 Jump Starter Health & Safety Precautions	5
4.3 Air Compressor	5
4.4 Rechargeable Battery Health & Safety Precautions	6
4.5 Flashlight Health & Safety Precautions	6
4.6 Residual Risk	6
4.7 Explanation of symbols	7
5. Identification and Unpacking	8-9
5.1 Product Overview	8
5.2 What's in the Box?	9
5.3 Packaging	9
6. Charging the Product	10
6.1 Charging the Jump Starter	10
6.2 Using as a Power Bank	10
7. Operating Instructions	11-12
7.1 Jump Starting the Vehicle	11
7.2 Using the built in Flashlight	12
7.3 Air Compressor for Tyre Inflation	12
8. Maintenance and Troubleshooting	13
8.1 General Maintenance	13
8.2 Troubleshooting	13
10. Spares, Returns and Disposal	14
11. Warranty	14

3. Product Introduction

3.1 Intended Use

This product has been designed as a compact and lightweight portable vehicle lithium jump starter with a built-in flashlight and air compressor for inflating tyres.

Additionally, can be used as a powerful USB power bank supplying several full charges to most smart phones.

Any other application beyond the conditions established for use will be considered misuse. Draper Tools accepts no responsibility for improper use of this product.

Read this manual in full before assembling, operating or maintaining the product, and retain it for later use.

3.2 Specification

Stock No.	23722
Part No.	GT1200C
Net Weight:	1kg
Dimensions (LxWXH):	232 X 127 X 54mm
Voltage:	12V
Capacity:	12,000mAh
Peak Current:	1200A
Crank Current:	600A
Petrol Engine:	6L
Diesel Engine:	4L
Clamp & Lead Length:	370mm
Built in Battery Type:	Lithium-Ion
Charging Time:	3 – 3½ hours
Storage Temperature:	-20°C to 60°C
Air Pressure:	Max 150psi (10Bar/1035kPa)
Air Pressure Gauge Accuracy:	+/- 1.5psi
Litres Per Minute:	28/Lpm
Air Hose Length:	550mm
Noise Level:	90dB

Important: Read all the Health and Safety instructions before attempting to operate, maintain or repair this product. Failure to follow these instructions may result in injury or damage to the user, or the product or the vehicle.

4.1 Vehicle Battery Health and Safety Precautions



WARNING! Risk of explosive gases.

- Working in the vicinity of lead-acid batteries is dangerous as they generate explosive gases during normal operation. Follow these instructions and those published by the battery manufacturer and the manufacturer of any other equipment to be used in the vicinity of the battery.
- Review warning marks on all these products and on the engine.
- When working near a lead-acid battery, ensure someone is within range of your voice or close enough to come to your aid.
- Never smoke or allow a spark or flame near the battery or engine.
- Take extra care not to drop a metal tool onto the battery. It could spark or short circuit the battery.
- Wear suitable eye and face protection.
- Have plenty of fresh water and soap nearby in case battery acid contacts eyes, skin or clothing. If acid enters eyes, wash eye under cold clean running water for at least 15 minutes and get medical attention immediately.
- Remove any metallic items such as rings, bracelets, necklaces and watches. A lead-acid battery can produce a short circuit current high enough to weld a metallic item, which may cause a severe burn.

4.2 Jump Starter Health & Safety Precautions

- Before using the jump starter refer to the vehicle's manufacturer instruction manual for specific advice on jump starting.
- Only trained and competent personnel may operate this device.
- Fully charge the jump starter before using for the first time.
- The jump starter is for use on 12V batteries only.
- **ONLY** use the clamps and accessories recommended and supplied by Draper Tools.

- **DO NOT** use this unit if the clamp leads are damaged or worn.
- **NEVER** allow the clamps to touch one another or to connect to the same piece of metal, otherwise the jump starter will be damaged.
- **DO NOT** use the jump starter to start a damaged, bulging, or frozen car battery.
- **DO NOT** disassemble or modify the unit.
- **DO NOT** place or store the unit in a high temperature environment that exceeds 60°C. The storage temperature is -20 to 60°C.
- Handle the unit with care and if dropped or showing signs of damaged get it checked by a qualified service person.



WARNING! DO NOT use this product if damage or defects are present; take it out of service until it has been repaired or replaced. Contact Draper Tools for repair and replacement options.

- Keep the product away from children and pets.
- Observe and adhere to all standard safety precautions and good practices when working in a workshop environment.
- Keep the work environment clear and well-lit, with bystanders at a safe distance.
- **DO NOT** use this product in wet conditions or expose it to rain.
- **DO NOT** use this product near flammable or combustible materials or in dangerous or explosive environments.
- Keep away from heat sources and do not leave for long periods of time in a hot car.

4.3 Air Compressor



WARNING! The compressor is capable of supplying air at high pressure.

- **NEVER** point this product at any person or any object for which its use is not intended.
- **ALWAYS** ensure that the air hose and valve connections are tight and secure, and firmly hold the item to be inflated during operation.
- Do not use the compressor while the vehicle is moving.
- To avoid damage to the compressor only use with the USB cable supplied.
- **NEVER** leave the compressor running unattended and switch it off before moving away.

- Use this product **ONLY** for the recommended cycle time and allow approx. 10 minutes for it to cool before the next use.



WARNING! The compressor is designed for occasional use only. Extended continual use of the product may cause it to overheat and harm both the product and the operator.

- After use, **ALWAYS** check the tyre pressure using a tyre pressure gauge that complies with BS EN 12645:2014.



CAUTION! NEVER exceed the maximum pressure recommended by the manufacturer of the item to be inflated. Check the manufacturer's information before every use and continually monitor the item during inflation.

- **Over inflation could result in the item bursting or personal injury.**
- **NEVER** carry the product by the hose.

4.4 Rechargeable Battery Health & Safety Precautions

- **DO NOT** leave battery in a discharged state.
- To maintain the battery health and performance charge the battery every 3months.



WARNING! To reduce the risk of burns or fire:

- **DO NOT** attempt to open, disassemble, modify or service the jump starter.
- **DO NOT** crush, puncture, short external contacts or dispose of in fire or water.
- **DO NOT** expose to temperatures above 60°C.
- **DO NOT** use this product if the casing is open, missing or damaged in any way.
- **DO NOT** attempt to remove the built in battery as it is not replaceable.

4.5 Flashlight Health & Safety Precautions

- **DO NOT** turn the light on when the jump starter is being charged.
- **DO NOT** shine the light directly into eyes.
- **DO NOT** allow children to use the light.

4.6 Residual Risk

- The safety instructions in this manual cannot account for all possible conditions and situations that may occur. Exercise common sense and caution when using this product and protect against any additional conceivable risks.

4.7 Explanation of symbols



Read the instruction manual



Warning!



Do not incinerate or throw onto fire



Wear face mask and safety glasses



Keep out of the reach of children



WEEE –

Waste Electrical & Electronic Equipment

Do not dispose of Waste Electrical & Electronic Equipment
in with domestic rubbish

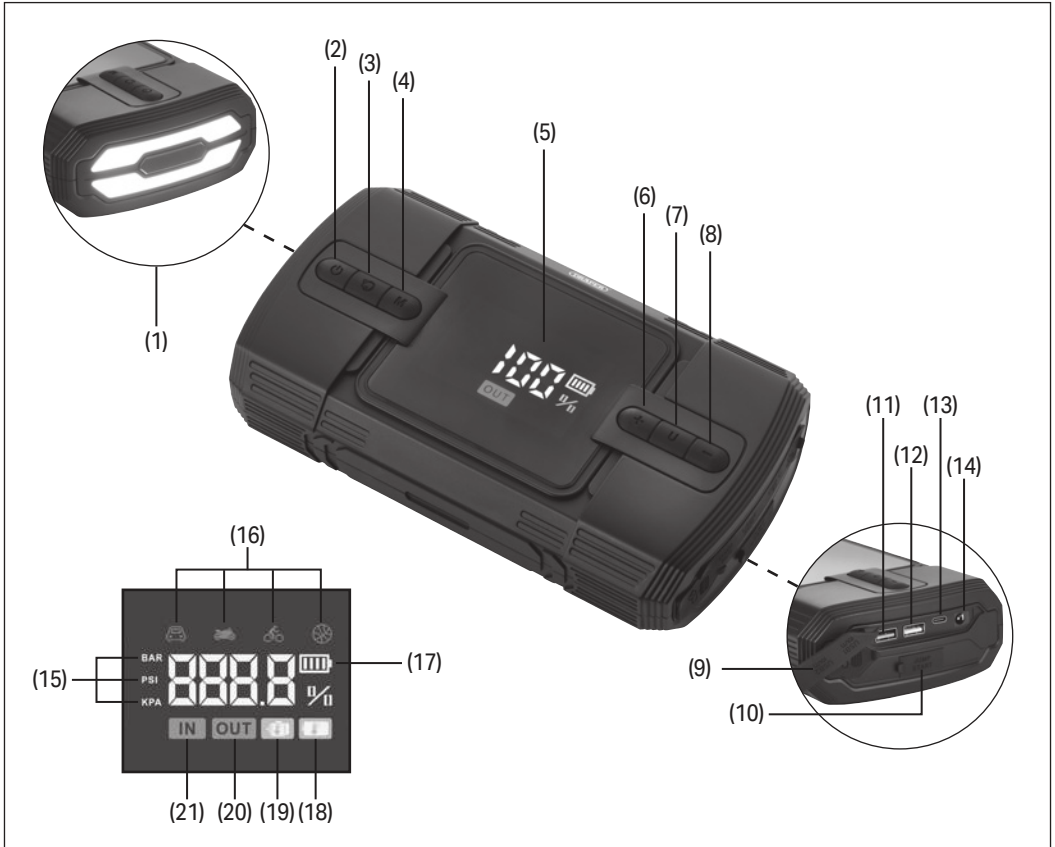


UK Conformity Assessed



European conformity

5.1 Product Overview



- (1) LED flash light
- (2) Power/light button
- (3) Tyre inflator button
- (4) **(M)** Mode button
- (5) Display screen
- (6) **(+)** Increase pressure button
- (7) **(U)** Unit button
- (8) **(-)** Decrease pressure button
- (9) Air hose socket
- (10) Jump starter port
- (11) USB 1 output port
- (12) USB 2 output port
- (13) USB-C input port
- (14) DC output port

Display Screen

- (15) Units of air pressure (BAR/PSI/KPA)
- (16) Preset modes
- (17) Battery level
- (18) Battery high temperature protection warning
- (19) Motor high temperature protection warning
- (20) Output indicator
- (21) Charging indicator

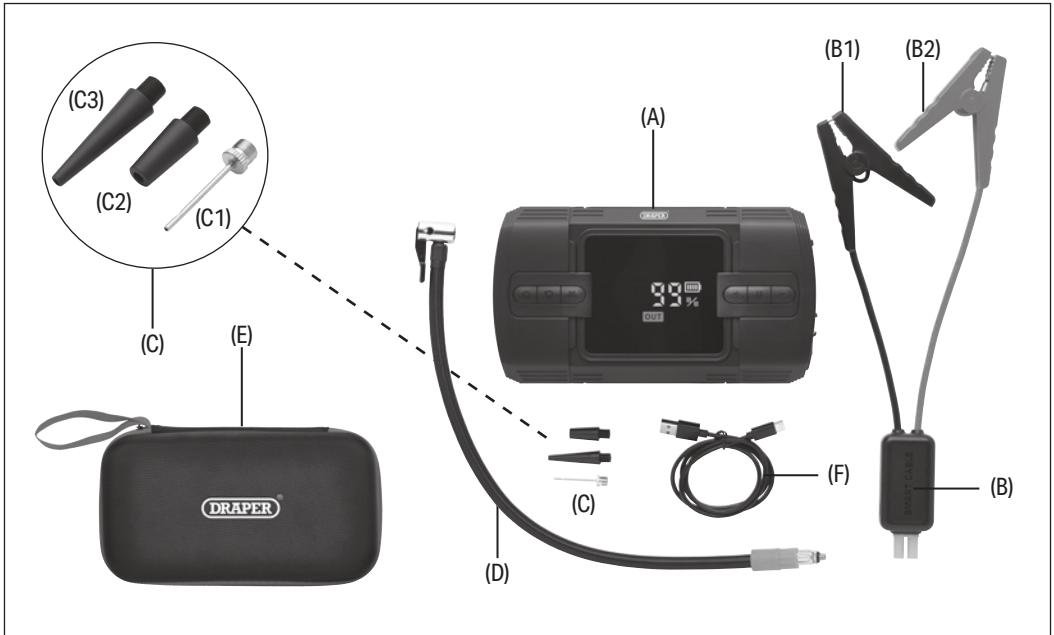
5. Identification and Unpacking

5.2 What's in the Box?

Carefully remove the product from the packaging and examine it for any signs of damage that may have occurred during shipment.

damaged or missing, do not attempt to use the product. Please contact the Draper Helpline; contact details can be found at the back of this manual.

Before assembling the product, lay the contents out and check them against the parts shown below. If any part is



- A. 1 x Jump starter
- B. 1 x Intelligent jump leads
 - B1. 1 x Black clamp (-)
 - B2. 1 x Red clamp (+)
- C. Air pressure adaptors
 - C1. 1 X Metal needle adaptor
 - C2. 1 X short plastic adaptor
 - C3. 1 X long plastic adaptor
- D. 1 X Tyre air hose
- E. 1 X Storage case
- F. 1 X USB-C charging cable

5.3 Packaging

Keep the product packaging for the duration of the warranty period in case the product needs to be returned for repair.



WARNING! Keep packaging materials out of reach of children. Dispose of packaging correctly and responsibly and in accordance with local regulations.

Please visit drapertools.com for our full range of accessories and consumables.

6.1 Charging the Jump Starter

Note: When using for the first time fully charge the jump starter for at least 3 hours.

1. To charge, connect one end of the USB-C cable supplied to the USB-C input port (13) and the other end to a suitable power supply.
- **DO NOT** use the jump starter during charging.

2. During charging, the 'IN' battery charging icon (21) will flash on the display screen. When fully charged the icon will stop flashing and charging will stop automatically.
3. The LCD screen will turn off automatically after 60seconds and enter sleep mode.
 - Charging time will take approximately 3 – 3½hours.
4. Unplug the cable when fully charged (100%).

6.2 Using as a Power Bank - Fig. 1.

1. Connect your smart phones, tablets, laptops or other electronic devices using the USB cable to either of the USB output ports (11) or (12).
2. Press the 'POWER' button (2) once to start charging.
3. Unplug the cable when fully charged.
- **DO NOT** attempt to charge other devices whilst the jump starter is being charged or whilst starting a vehicle.



Fig. 1

Important: Before preparing or using this product, read and understand all the safety instructions listed in this manual.

7.1 Jump Starting the Vehicle - Fig. 2 - Fig. 3.

Note:

- This product is for 12V petrol 6litre engine and diesel 4 litre engine cars only.
- Before using the Jump Starter press the power button (2) to check that the battery power (17) is above 80%.
- Before using the jump starter refer to the vehicle's manufacturer instruction manual for specific advice on jump starting and follow their recommended process.



Fig. 2

1. Insert the connector (B) end of the clamps into the jump starter port (10). Note: the connector is designed to fit only one way round (Fig. 2).
2. With the engine off, connect the red clamp (B2) to the positive (+) terminal (or the vehicle's manufacturer's recommended jump point) and the black clamp (B1) to the negative (-) terminal of the car battery (or the vehicle's manufacturer's recommended jump point).
3. Press the '**POWER**' button (2) to turn on the jump starter (Fig. 2).

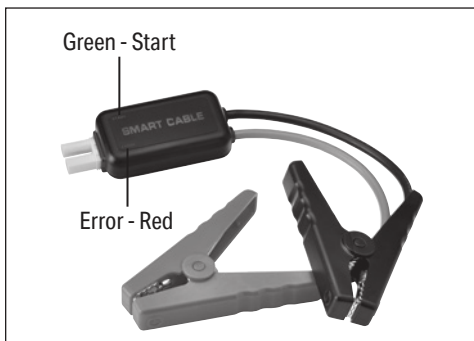


Fig. 3

Indicators	Meaning
Green & Red flashing	Clamps are connected correctly to the vehicle's battery.
Green only	Ready to start
Red 'Error' only	Voltage too low to start vehicle.

4. Start the car engine and allow 30 seconds between each attempt.
- If unsuccessful after three attempts, stop and inspect the vehicle's engine/battery for potential issues.
5. Once the engine has been started, turn off the engine and remove the lead connector from the jump starter. Disconnect the jump starter clamps within 30 seconds removing the negative clamp first then the positive clamp.

6. Restart your car.

Note: The jump starter will turn off automatically when no load is detected.

7.2 Using the built in Flashlight

1. To operate the light, press and hold the **'POWER'** button (2) for 3seconds or until the light comes on.
2. The light has 4 settings as follows:





Press	Beam Setting
Once	On/High
X2	S.O.S
X3	Strobe/flashing
X4	Orange light Flashing/Warning

3. To turn off the light press the **'POWER'** button until the light goes out.

Note: the jump starter display will turn off automatically once no load is detected.

7.3 Air Compressor for Tyre Inflation

1. Connect the hose (D) to socket (9) on the jumper starter then fit to the tyre valve.
2. Press the **'POWER'** (2) button to turn on the jump starter.
3. Press the **'M'** mode (4) button to select one of the preset modes or manually set the pressure using the (+) and (-) buttons (6) or (8).

Preset Mode	Press	Default Setting
	X2	36PSI
	X3	36PSI
	X4	60PSI
	X5	8PSI

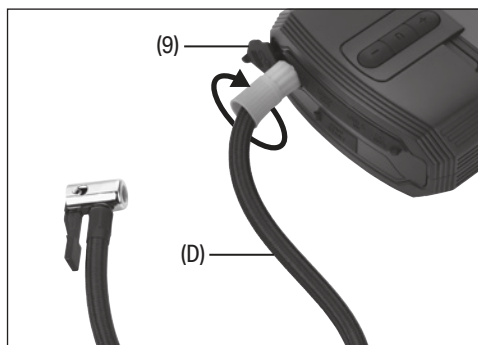


Fig. 4

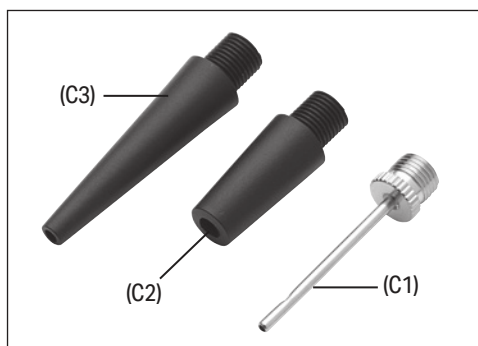


Fig. 5

4. Press **'U'** unit button (7) to switch between BAR, PSI or KPA. The icon with flash three times to confirm the unit set.
 5. Press the **'INFLATOR'** (3) button to start inflating.
 - The air compressor will automatically stop when the preset pressure is reached.
 - Use the adaptors (C1, C2 or C3) supplied for inflating footballs, beach balls, air beds and inflatable toys.
- Important: Always** follow the manufacturer's recommendations for the pressure levels required to inflate the item.

8.1 General Maintenance

- Check the battery level of the battery at least once every 3 months. If battery symbol (17) displays '1 bar' on the screen charge the jump starter.
- Keep the product clean and free from dust, debris and grease.
- Use a dry clean cloth to clean the housing of the device.
- Do not use detergents to clean the product.
- When not in use store in a dry well-ventilated area, out of direct sunlight and out of the reach of children. The storage temperature should not exceed 60°C.

8.2 Troubleshooting

Problem	Possible cause	Remedy
Jump Starter Clamp Indicators		
Flashing red and green indicators	Jump leads connected.	/
Solid green indicator	Ready to start charging.	/
Solid red indicator	Low voltage protection.	/
Solid red indicator with continuous beeping and two short beeps	Short circuit protection.	Do not connect the clamps to each other or to the same metal surface. Allow to cool down.
Solid red indicator with beeping.	Reverse polarity protection.	Swap the clamps and ensure correct connection.
Solid red indicator with fast beeping	Over-heating protection	Disconnect the clamps and allow to cool down.
Solid red and green indicators	Timeout protection	If the leads are connected but no starting action carried out, the intelligent lead will automatically switch off after 90seconds. Reconnect the leads to the jump starter.
Jump Starter Problems		
Jump starter fails to start engine	Battery power level too low.	Keep battery level above 80%.
	Poor connection due to rusty or dirty car battery terminals.	Clean the terminals and retry.
	Battery overheating.	Allow to cool down for one minute before retrying.
	The clamps are incorrectly connected.	Ensure the clamps are connected to the correct (+) and (-) terminals.
	Wrong battery voltage used.	Only suitable for vehicles with 12V batteries.
	Problem unrelating to vehicle's battery.	Inspect the vehicle for other issues.

- For spare parts, servicing, and repair and replacement options, please contact the Draper Tools Product Helpline for details of your nearest authorised agent.
- Draper Tools will endeavour to hold any spare parts, if applicable, for seven years from the date that it sells the final matching stock item.
- Any servicing or repairs carried out by unauthorised personnel or installation of spare parts not supplied by Draper Tools will invalidate your warranty.
- At the end of its working life, dispose of the product responsibly and in line with local regulations. Recycle where possible.
- **DO NOT** dispose of this product with domestic waste; most local authorities provide appropriate recycling facilities.
- **DO NOT** burn or mutilate batteries; this may release toxic or corrosive substances.



10. Warranty

Draper Tools products are guaranteed for 12 months to be free from defective materials and workmanship. Full details of the warranty period can be found on the Draper Tools Website.

Should the tool develop a fault within the warranty period, return the complete tool to the place of purchase or contact Draper Tools directly. Proof of purchase must be provided.

This warranty does not apply to any consumable parts or normal wear and tear.

It also does not cover any damage caused by misuse, careless or unsafe handling, modifications, or repairs carried out by any personnel other than an authorised Draper Tools repair agent.

Please note that this guarantee is in addition to and does not affect your statutory rights.

Draper Tools Limited

Contact Details

Draper Tools

Draper Tools Limited
Hursley Road
Chandler's Ford
Eastleigh
Hampshire
SO53 1YF
UK

Website: drapertools.com

Email: sales@drapertools.com

Product Helpline: +44 (0) 23 8049 4344

Telephone Sales Desk: +44 (0) 23 8049 4333

General Enquiries: +44 (0) 23 8026 6355

Delta International

Delta International BV
Oude Graaf 8
6002 NL
Weert
Netherlands

Please contact the Draper Tools Product Helpline for repair and servicing enquiries.