



# INSTRUCTION MANUAL

## 20L MICROWAVE OVEN



**ART.NO.:10329379(P70B17L-D5)**

**ITEM NO.:7014336**

**EAN:6001001626798**

### INDOOR HOUSEHOLD USE ONLY

Please save and read this instruction manual carefully before use.

# ENGLISH

## INTRODUCTION

Thank you for purchasing our “ESSENTIALS” Microwave Oven. Each unit has been manufactured to ensure safety, reliability, and ease to use. Before use, please read these instructions carefully and keep for further reference.

### **PRECAUTIONS FOR AVOIDING POTENTIALLY EXCESSIVE MICROWAVE ENERGY EXPOSURE**

1. Do not attempt to operate this oven with the door open since open door operation can result in harmful exposure to microwave energy. It is important not to defeat or tamper with the safety interlocks.
2. Do not place any object between the oven front face and the door or allow soil or cleaner residue to accumulate on sealing surfaces.
3. Do not operate the oven if it is damaged. It is particularly important that the oven door close properly and that there is no damage to the
  - a. Door (bent),
  - b. Hinges and latches (broken or loosened),
  - c. Door seals and sealing surfaces.
4. The oven should not be adjusted or repaired by anyone except properly qualified service personnel.

### *INDEX*

PRECAUTIONS FOR AVOIDING POTENTIALLY EXCESSIVE MICROWAVE ENERGY EXPOSURE	1
IMPORTANT SAFETY INSTRUCTIONS	2
SPECIFICATIONS	4
INSTALLATION	4
RADIO INTERFERENCE	5
MICROWAVE COOKING PRINCIPLES	5
GROUNDING INSTRUCTIONS	5
BEFORE YOU CALL FOR SERVICE	5
UTENSILS GUIDE	6
COMPONENT PARTS	6
CONTROL PANEL	7
OPERATION	7
CLEANING AND CARE	8
GUARANTEE	9

### IMPORTANT SAFETY INSTRUCTIONS

Always follow basic safety precautions when using electrical appliances:

**WARNING:** To minimize the risk of burns, electric shock, fire, personal injury or exposure to excessive microwave energy:

1. Read all instructions carefully before using the appliance.
2. Use this appliance only for its intended use as described in this manual. Do not use corrosive chemicals or gases in this appliance. This type of oven is specifically designed to heat, cook or dry food. It is not designed for industrial or laboratory use.
3. Do not operate the oven when it is empty.
4. Do not operate this appliance if it has a damaged cord or plug, if it is not working properly or if it has been damaged or dropped. If the power cord is damaged, it is a hazard that must be replaced by the manufacturer, its service agent or a similarly qualified person.
5. **WARNING:** Only allow children to use the oven without supervision when adequate instructions have been given so that the child is able to use the oven in a safe way and understands the risks of misusing the oven.
6. To reduce the risk of fire inside the oven:
  - ❖ When heating food in a plastic or paper container, check the oven frequently for the possibility of it catching on fire.
  - ❖ Remove wire twist-ties from paper or plastic bags before placing bag in oven.
  - ❖ If smoke is observed, switch off or unplug the appliance and keep the door closed in order to stifle any flames.
  - ❖ Do not store anything inside the oven. Do not leave paper products, cooking utensils or food inside the oven when it is not in use.
7. **WARNING:** Liquid or other food must not be heated in sealed containers since they are liable to explode.
8. Microwave heating of beverages can result in delayed eruptive boiling, therefore care has to be taken when handling the container.
9. Do not fry food in the oven. Hot oil can damage oven parts and utensils and even result in skin burns.
10. Eggs in their shell and whole hard-boiled eggs should not be heated in microwave ovens since they may explode even after the microwave has finished heating.
11. Pierce foods with heavy skins such as potatoes, whole squashes, apples and chestnuts before cooking them.
12. The contents of feeding bottles and baby jars should be stirred or shaken and the temperature should be checked before serving in order to avoid burns.
13. Cooking utensils may become hot because of heat transferred from the heated food. Potholders may be needed to handle the utensil.
14. Utensils should be checked to ensure that they are suitable for use in microwave oven.
15. **WARNING:** It is hazardous for anyone other than a trained person to carry out any service or repair operation which involves the removal of any cover which gives protection against exposure to microwave energy.
16. This product is classified as a Group 2 Class B ISM piece of equipment. This includes all ISM (Industrial, Scientific and Medical) equipment in which radio-frequency energy is intentionally generated and/or used in the form of electromagnetic radiation for the treatment of material, and spark erosion equipment. Class B equipment is equipment suitable for use in domestic establishments and in establishments directly connected to a low voltage power supply network which supplies buildings used for domestic purposes.
17. This appliance should not be used, unsupervised, by persons with physical, sensory, and/or intellectual limitations, by persons without any prior knowledge or CAR experience concerning the use of this appliance, or by children, unless they have been thoroughly on its use by the

- lack of experience and knowledge, unless they have been given supervision or instruction concerning use of the appliance by a person responsible for their safety.
18. Children should be supervised to ensure that they do not play with the appliance.
  19. The microwave oven is only used in freestanding.
  20. **WARNING:** Do not install oven over a range cooktop or other heat-producing appliance, if installed could be damaged and the warranty would be avoid .
  21. The accessible surface may be hot during operation.
  22. The microwave oven shall not be placed in a cabinet.
  23. The door or the outer surface may get hot when the appliance is operating.
  24. The temperature of accessible surfaces may be high when the appliance is operating.
  25. The appliance shall be placed against a wall .
  26. Appliance is not to be used by children or persons with reduced physical, sensory or mental capabilities, or lack of experience and knowledge, unless they have been given supervision or instruction
  27. Children being supervised not to play with appliance
  28. **WARNING:** If the door or door seals are damaged, the oven must not be operated until it has been repaired by a competent person
  29. The instructions shall state that appliances are not intended to be operated by means of an external timer or separate remote-control system.
  30. The microwave oven is for household use only and not for commercial use.
  31. Never remove the distance holder in the back or on the sides, as it ensures a minimum distance from the wall for air circulation.
  32. Please secure the turn table before you move the appliance to avoid damages.
  33. **Caution:** It is dangerous to repair or maintain the appliance by no other than a specialist because under these circumstances the cover have to be removed which assures protection against microwave radiation. This applies to changing the power cord or the lighting as well. Send the appliance in these cases to our service centre.
  34. The microwave oven is intended for defrosting, cooking and steaming of food only.
  35. Use gloves if you remove any heated food.
  36. **Caution!** Steam will escape, when opening lids or wrapping foil.
  37. This appliance can be used by children aged from 8 years and above and persons with reduced physical, sensory or mental capabilities or lack of experience and knowledge if they have been given supervision or instruction concerning use of the appliance in a safe way and understand the hazards involved. Children shall not play with the appliance. Cleaning and user maintenance shall not be made by children unless they are aged from 8 years and above and supervised.
  38. If smoke is emitted, switch off or unplug the appliance and keep the door closed in order to stifle.
  39. Only use the correct electrical thermostat connector that is the appropriate and correct connector for your respective microwave oven.
  40. This appliance is not intended to be operated by means of an external timer or separate remote-control system. This appliance is intended to be used in household and similar applications such as:
    - Staff kitchen areas in shops, offices and other working environments.
    - Farmhouses.
    - By clients in hotels, motels and other residential-type environments.
    - Bed and breakfast type environments.
  41. To reduce the risk of electric shock, do not immerse plug or the power cord to water or any other liquid.
  42. Please contact our Customer care number 0800 01 07 09 if you require any further product information or a copy of the instruction manual.

**SPECIFICATIONS**

Power Consumption:	220-240V ~50Hz, 1200W(Microwave)
Rated microwave power output:	700W
Operation Frequency:	2450MHz
Outer Dimensions:	262mm(H)×452mm(W)×330mm(D)
Oven Cavity Dimensions:	198mm(H)×315mm(W)×294mm(D)
Oven Capacity:	20 Litres
Cooking Uniformity:	Turntable System
Net Weight:	Approx.10.5kg

**INSTALLATION**

1. Make sure that all the packing materials are removed from the inside of the door.
2. **WARNING:** Check the oven for any damage, such as a misaligned or bent door, damaged door seals and sealing surface, broken or loose door hinges and latches and dents inside the cavity or on the door. If there is any damage, do not operate the oven and contact a qualified service technician immediately.
3. This microwave oven must be placed on a flat, stable surface to hold its weight and the heaviest food likely to be cooked in the oven.
4. Do not place the oven where heat, moisture, or high humidity are generated, or near combustible materials.
5. For correct operation, the oven must have sufficient airflow. Allow 20 cm of free space above the oven, 10 cm at back and 5 cm on both sides. Do not cover or block any openings on the appliance. Do not remove feet.
6. Do not operate the oven without glass tray, roller support, and shaft in their proper positions.
7. Make sure that the power cord is undamaged and does not run under the oven or over any hot or sharp surface.
8. The electric socket must be readily accessible so that it can be easily unplugged in case of an emergency.
9. Do not use the oven outdoors.

## ENGLISH

### RADIO INTERFERENCE

Operation of the microwave oven can cause interference with your radio, TV, or similar equipment.

When there is interference, it may be reduced or eliminated by taking the following measures:

1. Clean the door and the sealing surface of the oven.
2. Reorient the radio's antenna of radio or

television.

3. Relocate the microwave oven with respect to the receiver
4. Move the microwave oven away from the receiver.
5. Plug the microwave oven into a different outlet so that microwave oven and receiver are on different branch circuits.

### MICROWAVE COOKING PRINCIPLES

1. Arrange food carefully inside the oven. Place thickest areas towards outside of dish.
2. Watch cooking time. Cook for the shortest amount of time indicated and add more as needed. Food severely overcooked can smoke or ignite.
3. Cover foods while cooking. Covers prevent spattering and helps to cook the food evenly.
4. Turn the food over once during the

microwave cooking process in order to speed up the cooking of such foods as chicken and hamburgers. Large items like roasts must be turned over at least once.

5. Rearrange foods such as meatballs halfway through the cooking time both from top to bottom and from the center of the dish to the outside.

### GROUNDING INSTRUCTIONS

This appliance must be grounded. This oven is equipped with a cord having a grounding wire with a grounding plug. It must be plugged into an outlet that is properly installed and grounded. In the event of an electrical short circuit, grounding reduces the risk of electric shock by providing an escape wire for the electric current. It is recommended that a separate circuit serving only the oven be provided. Using a high voltage is dangerous and may result in a fire or other accident causing oven damage.

**WARNING** Improper use of the grounding plug can dramatically increase the risk of electric shock.

#### Note:

1. If you have any questions about the grounding or electrical instructions, consult a qualified electrician or service technician
2. Neither the manufacturer nor the dealer can accept any liability for either damages to the oven or personal injury which are the result of failing to follow the electrical connection procedures.

The wiring system is colored in accordance with the following code:

Green and Yellow = GROUND

Blue = NEUTRAL

Brown = LIVE

### BEFORE YOU CALL FOR SERVICE

If the oven fails to operate:

1. Check to ensure that the oven is plugged in securely. If it is not, remove the plug from the outlet, wait 10 seconds, and plug it in again securely.
2. Check for a blown circuit fuse or a tripped main circuit breaker. If these seem to be operating properly, test the outlet with

another appliance.

3. Check to ensure that the control panel is programmed correctly and the timer is set.
4. Check to ensure that the door is securely closed engaging the door safety locking system. Otherwise, the microwave energy will not flow into the oven.

## ENGLISH

IF NONE OF THE ABOVE MEASURES RECTIFIES THE SITUATION, THEN CONTACT A QUALIFIED TECHNICIAN. DO NOT TRY TO ADJUST OR REPAIR THE OVEN YOURSELF.

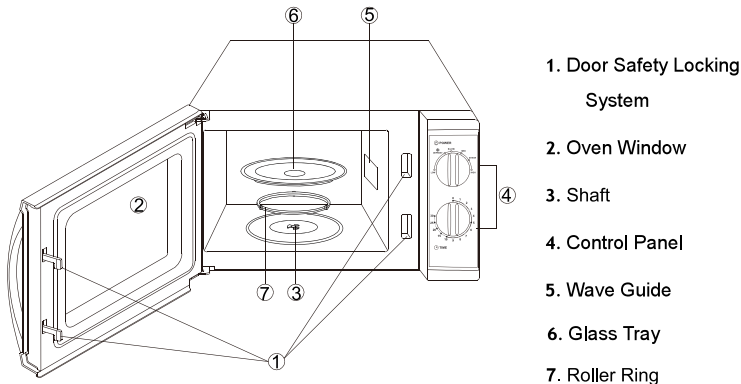
### UTENSILS GUIDE

1. The ideal microwave bowls are the transparent ones, because they allow energy to pass through the container and heat the food.
2. Microwaves cannot penetrate metal, so metal utensils or dishes with metallic trim should not be used.
3. Do not use recycled paper products when cooking in the microwave, as they may contain small metal fragments which may cause sparks and/or fires.
4. Round /oval dishes rather than square/oblong ones are recommended, because with the latter, the food in the corners tends to overcook.
5. Narrow strips of aluminum foil may be used to prevent overcooking of exposed areas. But be careful not to use too much and keep a distance of 1 inch (2.54 cm) between the foil and the cavity.

The list below is a general guide to help you select the correct utensils.

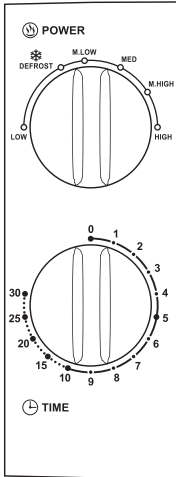
COOKWARE	MICROWAVE
Heat-Resistant Glass	Yes
Non Heat-Resistant Glass	No
Heat-Resistant Ceramics	Yes
Microwave-Safe Plastic Dish	Yes
Kitchen Paper	Yes
Metal Tray	No
Metal Rack	No
Aluminum Foil & Foil Containers	No

### COMPONENT PARTS



# ENGLISH

## CONTROL PANEL

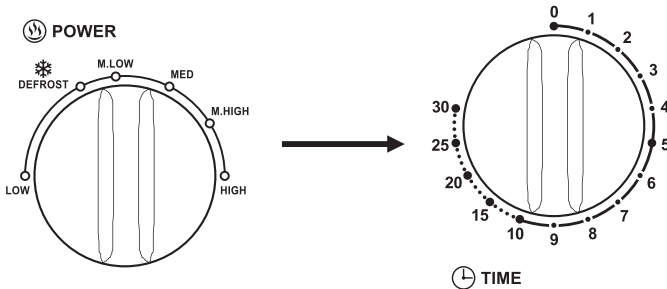


- ① Timer (0~30 minutes)
- ② Power Control

Power	Power Output
100%	High
85%	M. High
66%	Med
48%	M. Low
40%	Defrost
17%	Low

## OPERATION

To set a cooking program: place food in the oven and close the door.



Turn the Power Control  
to select the desired power level.

Use the Timer to select the  
desired cooking time.

**NOTE:** As soon as the timer is turned, the oven will start cooking. When selecting time less than 2 minutes, turn the timer past 2 minutes and then return to the correct time.

**CAUTION:** Always return the timer back to zero position if food is removed from oven before the set cooking time is complete or when oven is not in use. To stop oven during cooking process, push the door release button and open the door.

### CLEANING AND CARE

1. Turn off the oven and unplug it before cleaning.
2. Keep the inside of the oven clean. When food splatters or spilled liquids adhere to oven walls, wipe with a damp cloth. Mild detergent may be used if the oven gets very dirty. Avoid the use of sprays and other harsh cleaners as they may stain, streak or dull the door surface.
3. The outside surfaces should be cleaned with a damp cloth. To prevent damage to the operating parts inside the oven, water should not be allowed to seep into the ventilation openings.
4. Wipe the door and window on both sides, the door seals and adjacent parts frequently using a damp cloth to remove any spills or spatters. Do not use abrasive cleaner.
5. Do not allow the control panel to become wet. Clean with a soft, damp cloth. When cleaning the control panel, leave oven door open to prevent oven from accidentally turning on.
6. If steam accumulates inside or around the outside of the oven door, wipe with a soft cloth. This may occur when the microwave oven is operated in a very humid environment . It is entirely normal.
7. It is occasionally necessary to remove the glass tray for cleaning. Wash the tray in warm soapy water or in a dishwasher.
8. The roller ring and the oven floor should be cleaned regularly to avoid excessive noise. Simply wipe the bottom surface of the oven with mild detergent. The roller ring may be washed in mild soapy water or dishwasher. When removing the roller ring from the cavity floor for cleaning, be sure to replace in the proper position.
9. Eliminate odors from your oven by combining a cup of water with the juice and skin of one lemon in a deep bowl and microwaving it for 5 minutes. Wipe thoroughly and dry with a soft cloth.
10. When it becomes necessary to replace the oven light, please consult a dealer to have it replaced.
11. The oven should be cleaned regularly and any food deposits removed. Failure to maintain the oven in a clean condition could lead to deterioration of the surface that could adversely affect the life of the appliance and possibly create a fire hazard
12. Please do not dispose of this appliance with the regular garbage. It should be taken to the appropriate waste disposal center in your municipality.

**WARRANTY**

**PLEASE AFFIX YOUR RECEIPT/PROOF OF PURCHASE HERE.  
IN THE EVENT OF A CLAIM UNDER THIS WARRANTY THE AFORESAID  
RECEIPT/PROOF OF PURCHASE MUST BE PRODUCED TOGETHER WITH THIS  
WARRANTY**

Model number	(Lot number : _____ )
Product name	
Date of purchase	
Place of purchase	

1. The party selling the product (“the seller”) to the original purchaser of this product (“the customer”) hereby warrants that this product will be of good quality and, in good working order and, free of defects and suitable for its intended purpose under normal household use, for a period of 1 (one) year from the date of purchase (“warranty period”) of this product.
2. In the event that the warranty period has not lapsed and the product is not of a good quality, or in good working order or, is defective or is not suitable for its intended purpose under normal household use, the customer may, subject to paragraph 3 below, return the product to the seller and have the following options available:
  - 2.1 Within the first 6 (six) months of the warranty: to receive a refund of the actual price paid or to exchange the product for the same or similar product of the same purchased value;
  - 2.2 Within the second 6 (six) months of the warranty: to have the product exchanged for the same or similar product of the same purchased value.
3. The seller will not replace the product or refund the customer in terms of this warranty if the product:
  - 3.1 has been altered contrary to the instructions provided in the product manual;
  - 3.2 has been misused, abused or tampered with;
  - 3.3 is defective or not in working order due to ordinary wear and tear;
  - 3.4 is damaged resulting from the customer’ gross negligence, recklessness, malicious behavior or criminal conduct;
  - 3.5 has been utilised for commercial use.
4. This warranty applies only to the product that has been purchased from the seller and not to any expendables attached to or installed on the product by the customer.
5. Any claim in terms of this warranty must be supported by the original proof of purchase.
6. Note that the exchange item will only carry the balance of the warranty period as from the original date of purchase.
7. Please contact our Customer care number 0800 01 07 09 if you require any further product information or a copy of the instruction manual.



## MANUAL DE INSTRUÇÕES MICROONDAS 20L



**ART.NO.:10329379(P70B17L-D5)**

**ITEM NO.:7014336**

**EAN:6001001626798**

### **APENAS PARA USO INTERIOR**

Por favor leia este manual de instruções com cuidado antes da  
utilização.

## INTRODUÇÃO

Obrigado por adquirir nosso forno de microondas “ESSENTIALS”. Cada unidade foi concebida para garantir que os nossos clientes obtenham a segurança, fiabilidade e facilidade de uso dos nossos produtos. Antes de utilizar, por favor leia cuidadosamente estas instruções e guarde este manual para futura referência.

### **PRECAUÇÕES PARA EVITAR EXPOSIÇÃO POTENCIALMENTE EXCESSIVA DE ENERGIA DE MICROONDAS**

1. Não tente utilizar este forno com a porta aberta uma vez que a utilização com a porta aberta pode resultar em exposição prejudicial a energia de microondas. É importante que não desactive ou altere os interruptores de segurança.
2. Não coloque qualquer objecto entre a parte frontal do forno e a porta nem permita a acumulação de sujidade ou de resíduos de produtos de limpeza em superfícies vedantes.
3. Não utilize o forno se estiver danificado. É particularmente importante que a porta do forno feche devidamente e que não haja danos
  - a. na porta (deformada),
  - b. nas dobradiças e fechos (estragados ou soltos),
  - c. Vedantes da porta e superfícies vedantes.
4. O forno só deverá ser montado ou reparado por pessoas devidamente qualificadas.

## *ÍNDICE*

PRECAUÇÕES PARA EVITAR EXPOSIÇÃO POTENCIALMENTE EXCESSIVA DE ENERGIA DE MICROONDAS.....	1
INSTRUÇÕES DE SEGURANÇA IMPORTANTES.....	2
ESPECIFICAÇÕES.....	4
INSTALAÇÃO.....	4
RÁDIO INTERFERÊNCIA.....	4
PRINCÍPIOS PARA COZINHAR COM MICROONDAS.....	5
INSTRUÇÕES DE TOMADA DE TERRA.....	5
ANTES DE SOLICITAR APOIO TÉCNICO.....	5
GUIA DE UTENSÍLIOS.....	6
COMPONENTES.....	6
PAINEL DE COMANDO.....	7
FUNCIONAMENTO.....	7
LIMPEZA E MANUTENÇÃO.....	8
FORMULÁRIO DE GARANTIA.....	9

## INSTRUÇÕES IMPORTANTES DE SEGURANÇA

Quando utilizar aparelhos eléctricos básicos devem ser seguidas as precauções de segurança, incluindo o seguinte:

**Aviso :** Para reduzir o risco de queimaduras, choque eléctrico, incêndio, danos pessoais ou exposição à energia de microondas excessiva:

1. Leia todas as instruções antes de utilizar o aparelho.
2. Uso de uso este aparelho somente para sua pretendida conforme descrito neste manual. Não use produtos químicos corrosivos ou vapores neste aparelho. Este tipo de forno é projetado especificamente para o calor, o cozinheiro ou o alimento seco. Não é projetado para industriais ou de laboratório use.
3. Não opere o forno quando vazio.
4. Não opere este aparelho se um danificado o cabo ou a ficha, se ela não estiver funcionando corretamente ou se estiver danificado ou cair. Se o cabo de alimentação estiver danificado, ele deve ser substituído pelo fabricante ou seu agente de serviço ou uma pessoa com qualificação similar, para evitar perigos
5. AVISO: só permitem que as crianças usem o forno sem supervisão quando instruções adequadas tem sido dada para que a criança é capaz de usar o forno de forma segura e compreende os riscos de uso indevido.
6. Para reduzir o risco de fogo no interior da cavidade do forno:
  - ✦ Quando aquecer alimentos em recipiente de plástico ou de papel, verifique o forno com frequência para a possibilidade de ignição.
  - ✦ Remova laços de torção do fio de papel ou sacos de plástico antes de colocar o saco no forno.
  - ✦ Se a fumaça for observada, desligar ou desligue o aparelho e mantenha a porta fechada para sufocar qualquer chama.
  - ✦ Não use a cavidade para fins de armazenamento. Não deixe produtos de papel, cozinha utensílios ou comida na cavidade quando não estiver em uso.
7. Atenção: Líquidos ou outros alimentos devem não ser aquecidos em recipientes fechados, pois são susceptíveis de explodir.
8. Aquecimento microondas da bebida pode resultar em ebulição eruptiva retardada, portanto tem que ser tomado quando lidar com o contêiner.
9. Não frite alimentos no forno. Óleo quente pode danificar as peças do forno e utensílios e até resultar em queimaduras na pele.
10. Os ovos com a casca e os ovos cozidos toda não devem ser aquecidos em fornos de microondas desde que elas podem explodir mesmo após o término de microondas aquecimento.
11. Pierce alimentos com peles pesadas tais como batatas, abóboras toda, maçãs e castanhas antes de cozinhar.
12. o conteúdo de biberões e boiões de bebê deve ser mexido ou agitado e a temperatura deve ser verificada antes de servir para evitar queimaduras no.
13. Utensílios de cozinha podem ficar quentes por causa do calor transferido do alimento aquecido. Pegas de cozinha podem ser necessários para lidar com o utensílio.
14. Utensílios devem ser verificados para garantir que eles são adequados para uso em fornmicroondas.
15. AVISO: é perigosa para qualquer um que não seja uma pessoa treinada para realizar qualquer operação de serviço ou reparo que envolve a remoção de qualquer tipo de cobertura que dá proteção contra a exposição à energia de microondas.
16. Este produto é um grupo 2 classe B desses equipamentos. A definição do grupo 2, que contém todos os equipamentos ISM (industriais, científicos e médicos) em qual rádio-frequência energética intencionalmente é gerada ou usada na forma de radiação eletromagnética para o tratamento do material e equipamento de erosão de faísca. Para a classe B é o equipamento adequado para uso em estabelecimentos domésticos e em estabelecimentos diretamente conectados a uma rede de abastecimento de energia de baixa tensão que fornece os edifícios utilizados para fins domésticos.

## PORTUGUÊS

17. Este aparelho não se destina para uso por pessoas (incluindo crianças) com capacidades físicas, sensoriais ou mentais reduzidas, ou com falta de experiência e conhecimento, a menos que eles receberam supervisão ou instruções relativas à utilização do aparelho por uma pessoa responsável pela sua segurança.
18. As crianças devem ser supervisionadas para garantir que não brincam com o aparelho.
19. o forno de microondas é usado somente em autônomas.
20. AVISO: não instale o forno sobre um cooktop intervalo ou outros produzem calor aparelho. se instalado pode ser danificado e o garantia seria evitar.
21. a superfície acessível pode estar quente durante o funcionamento.
22. o forno de microondas não devem ser colocado em um gabinete.
23. a porta ou a superfície externa pode ficar quente quando o aparelho está em funcionamento.
24. a temperatura das superfícies acessíveis pode ser elevada quando o aparelho está em funcionamento.
25. o aparelho deve ser colocado contra uma parede.
26. Aparelho não é deve ser utilizado por crianças ou pessoas com capacidades físicas, sensoriais ou mentais reduzidas, ou com falta de experiência e conhecimento, a não ser que eles tenham sido dada supervisão ou instrução
27. Crianças sendo vigiadas para não jogar com aparelho
28. AVISO: se a porta ou selos de porta estão danificados, o forno não deve ser operado até ser reparado por um técnico competente
29. As instruções indicará que os aparelhos não se destinam a ser operado por meio de um temporizador externo ou sistema de controle remoto separado.
30. o forno de microondas é para uso doméstico somente e não para uso comercial.
31. Nunca retire o suporte de distância nas costas ou nas laterais, pois garante uma distância mínima da parede para circulação de ar.
32. Isolar mesa giratória, por favor, antes de mover o aparelho para evitar danos.
33. Atenção: é perigoso reparar ou manter o aparelho por não além de um especialista, porque nestas circunstâncias a tampa tem que ser removido que garante proteção contra a radiação de microondas. Isto aplica-se a alterar a iluminação ou o cabo de alimentação também. Enviar o aparelho nestes casos para nosso centro de serviço.
34. Destina-se o forno de microondas para descongelar, cozinhar e cozinhar comida só.
35. Use luvas se você remover qualquer alimento aquecido.
36. Atenção! Vapor escapará, ao abrir as tampas ou papel de embrulho.
37. Este aparelho pode ser utilizado por crianças com idade de 8 anos e acima, e pessoas com capacidades físicas, sensoriais ou mentais reduzidas ou com falta de experiência e conhecimento se lhes tenha sido dada supervisão ou instruções relativas à usam o aparelho de forma segura e compreender os riscos envolvidos. As crianças não devem brincar com o aparelho. Manutenção limpeza e usuário não deve ser feita por crianças, a menos que eles são supervisionados e idade de 8 anos e acima.
38. Se a fumaça é emitida, desligar ou desligue o aparelho e mantenha a porta fechada para sufocar a.
39. Use apenas o conector correto do termostato elétrico, que é o conector apropriado e correto para sua respectiva forno de micro-ondas.
40. Este aparelho não se destina a ser operado por meio de um temporizador externo ou sistema de controle remoto separado.  
Este aparelho destina-se a ser utilizado em aplicações domésticas e semelhantes, tais como:
  - Areas de cozinha de funcionários em lojas, escritórios e outros ambientes de trabalho.
  - Fazendas.
  - Por clientes em hotéis, motéis e outros ambientes do tipo residencial.
  - Ambientes do tipo cama e café da manhã.
41. Para reduzir o risco de choque elétrico, não mergulhe o plugue ou o cabo de alimentação em água ou qualquer outro líquido.
42. Entre em contato com nosso número de atendimento ao cliente 0800 01 07 09 se precisar de mais informações sobre o produto ou uma cópia do manual de instruções.

## ESPECIFICAÇÕES

Consumo de energia:	220-240V ~50Hz, 1200W(Microondas)
Saída de potência nominal do microondas:	700W
Frequência de funcionamento:	2450MHz
Dimensões externas:	262mm(H)×452mm(W)×330mm(D)
Dimensões da cavidade do forno:	198mm(H)×315mm(W)×294mm(D)
Capacidade do forno:	20 litros
Uniformidade da cozedura:	Sistema giratório:
Peso líquido:	Aprox.10,5kg

## INSTALAÇÃO

1. Assegure-se que retirou todos os materiais de embalagem do interior da porta.
2. AVISO: Verifique se o forno apresenta danos, tais como uma porta mal alinhada ou deformada, as juntas das portas e superfícies vedantes danificadas, as dobradiças e fechos partidos ou soltos e amolgadelas no interior da cavidade ou na porta. Se detectar algum dano, não coloque o forno em funcionamento e contacte de imediato um serviço técnico qualificado.
3. Este forno microondas deve ser colocado numa superfície plana e estável para suportar o seu peso e a quantidade máxima de alimentos que podem ser cozinhados no forno.
4. Não coloque o forno onde haja calor ou humidade elevada, nem perto de materiais combustíveis.
5. Para um funcionamento correcto, o forno deve ter uma circulação de ar suficiente. Deixe um espaço de 20 cm por cima do forno, 10 cm na parte posterior e 5 cm de ambos os lados. Não cubra ou bloqueie qualquer abertura do aparelho. Não retire os pés.
6. Não utilize o forno sem a bandeja de vidro, o suporte giratório e o eixo nas suas posições correctas.
7. Assegure-se de que o cabo de alimentação não está danificado e de que não passa por baixo do forno ou sobre uma superfície quente ou afiada.
8. A tomada deve ser de fácil acesso, para que possa ser facilmente desligada em caso de emergência.
9. Não use o forno no exterior.

## RÁDIO INTERFERÊNCIA

A utilização do microondas pode causar interferências no seu rádio, TV ou equipamento semelhante.

Caso exista uma interferência ela pode ser reduzida ou eliminada adoptando as seguintes medidas:

1. Limpe a porta e a superfície vedante do forno.

2. Reoriente a antena de recepção do rádio ou da televisão.
3. Mude o forno microondas de posição em relação ao receptor.
4. Afaste o forno microondas do receptor.
5. Ligue o forno microondas numa tomada diferente, para que este e o receptor estejam em circuitos ramais diferentes.

## PORTUGUÊS

### PRINCÍPIOS PARA COZINHAR COM MICROONDAS

1. Disponha cuidadosamente os alimentos dentro do forno. Coloque as partes mais grossas para o exterior do prato.
2. Controle o tempo de cozedura. Cozinhe durante o período tempo indicado mais curto e depois aumente-o se necessário. A cozedura excessiva dos alimentos pode provocar fumo ou fogo.
3. Cubra os alimentos durante a cozedura. As tampas evitam salpicos e ajudam a que os alimentos cozinhem uniformemente.
4. Vire os alimentos uma vez durante a cozedura no microondas, de forma a cozinhar mais rapidamente alimentos, como, por exemplo, o frango e os hambúrgueres. Os alimentos grandes como os assados devem ser virados pelo menos uma vez.
5. Mude a disposição dos alimentos, como, por exemplo, as almôndegas a meio da cozedura quer de cima para baixo como do centro do prato para fora.

### INSTRUÇÕES DE TOMADA DE TERRA

Este aparelho deve ter uma ligação de terra. Este forno está equipado com um cabo que tem um condutor de tomada de terra com uma ficha de tomada de terra. Deverá estar ligado numa tomada devidamente instalada e ligada à terra. No caso de curto circuito eléctrico, a tomada de terra reduz o risco de choque eléctrico fornecendo um condutor de escape para a corrente eléctrica. Recomenda-se o uso de um circuito independente só para o forno. A utilização de alta tensão é perigosa e pode provocar um incêndio ou outro acidente causando danos no forno.

**AVISE** O uso incorrecto da ligação de terra pode  
Azul = NEUTRO

aumentar drasticamente o risco de choque eléctrico.

**Nota:**

1. Se tem dúvidas sobre a ligação de terra ou instruções eléctricas, fale com um electricista ou técnico especializados.
2. Nem o fabricante, nem o distribuidor aceitam qualquer responsabilidade por danos no forno ou danos pessoais resultantes da não observação dos procedimentos de ligação eléctrica.

O sistema de ligação tem cores diferentes de acordo com o seguinte código:

Verde e Amarelo = TOMADA DE TERRA

Castanho = TENSÃO

### ANTES DE SOLICITAR APOIO TÉCNICO

Se o forno não funciona:

1. Verifique se o forno está correctamente ligado à tomada. Se for o caso, retire a ficha da tomada, aguarde 10 segundos e volte a ligar em segurança.
2. Procure um fusível queimado ou um disjuntor disparado. Se estiver tudo correcto, teste a tomada com outro aparelho.
3. Certifique-se que o painel de comando está correctamente programado e o temporizador regulado.
4. Certifique-se que a porta está correctamente fechada accionando o sistema de segurança da porta. Caso contrário, a energia de microondas não fluirá para dentro do forno.

SE NENHUMA DAS MEDIDAS ACIMA MENCIONADAS RECTIFICAREM A SITUAÇÃO, ENTÃO CONTACTE UM TÉCNICO QUALIFICADO. NÃO TENDE REGULAR OU REPARAR O FORNO.

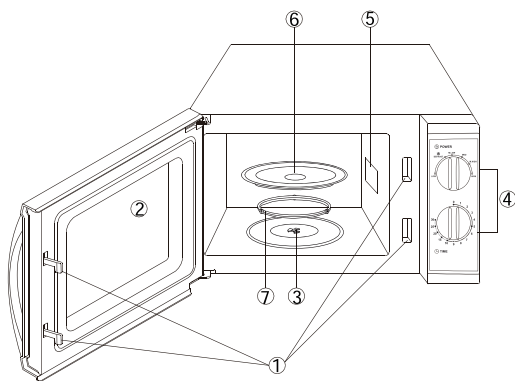
## GUIA DE UTENSÍLIOS

1. As taças ideais para microondas são as transparentes, pois permitem que a energia passe através do recipiente e aqueça os alimentos.
2. As microondas não conseguem penetrar o metal, pelo que não devem ser utilizados utensílios metálicos ou pratos com borda metálica.
3. Não utilize produtos de papel reciclado para cozinhar no microondas, já que podem conter pequenos fragmentos metálicos que podem causar faíscas e/ou incêndios.
4. Recomenda-se a utilização de pratos redondos/ ovais em vez de quadrados/ compridos, uma vez que os alimentos nas bordas tendem a cozinhar demais.
5. Pode utilizar-se tiras estreitas de papel de alumínio de forma a evitar a cozedura excessiva das zonas expostas. Mas tenha atenção para não utilizar demasiado e manter uma distância de 1 polegada (2,54 cm) entre o papel e a cavidade.

A lista abaixo é um guia geral para ajudá-lo a escolher os utensílios correctos.

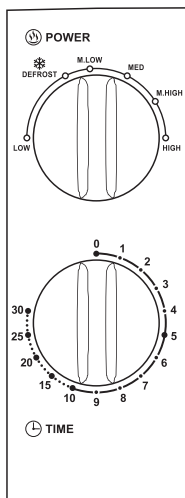
UTENSÍLIOS DE COZINHA	MICROONDAS
Vidro resistente ao calor	Sim
Vidro não resistente ao calor	Não
Porcelana resistente ao calor	Sim
Pratos de plástico próprios para microondas	Sim
Papel de cozinha	Sim
Tabuleiro metálico	Não
Grelha metálica	Não
Papel de alumínio e recipientes de alumínio	Não

## COMPONENTES



1. Sistema de fecho de segurança da porta
2. Janela do forno
3. Eixo
4. Painel de comando
5. Guia de ondas
6. Tabuleiro de vidro
7. Anel giratório

## PAINEL DE COMANDO

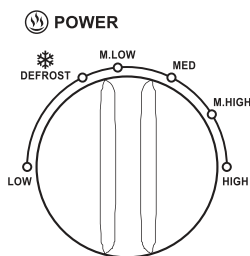


- ① Temporizador (0-30 minutos)
- ② Controlo de potência

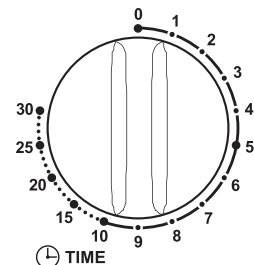
Potência	Potência de saída
100%	Alta
85%	Média alta
66%	Média
48%	Média baixa
40%	Descongelar
17%	Baixa

## FUNCIONAMENTO

Para definir um programa para cozinhar: Coloque a comida dentro do forno e feche a porta.



Rode o controlo de potência para seleccionar o nível de potência desejado.



Use o temporizador para seleccionar o tempo de cozedura desejado.

**NOTA:** Assim que rodar o temporizador o forno irá começar a cozinhar. Quando seleccionar o tempo para menos de 2 minutos, rode o temporizador para depois dos 2 minutos e depois recue ao tempo correcto.

**ATENÇÃO:** Volte a colocar o temporizador na posição zero sempre que retirar a comida do forno antes do fim do tempo de cozedura definido ou quando o forno não estiver a ser utilizado. Para parar o forno durante o processo de cozedura carregue no botão de abertura da porta e abra a porta.

### LIMPEZA E MANUTENÇÃO

1. Antes de limpar o forno desligue-o e desligue-o da tomada.
2. Mantenha o interior do forno limpo. Em caso de salpicos ou líquidos vertidos colados nas paredes do forno, limpe-os com um pano húmido. Se o forno estiver muito sujo pode utilizar um detergente suave. Evite a utilização de sprays e outros produtos de limpeza agressivos, uma vez que podem manchar, riscar ou deixar sem brilho a superfície da porta.
3. As superfícies externas devem ser limpas com um pano húmido. Para prevenir danos nas peças no interior do forno, não deverá ser permitida a infiltração de água nas aberturas de ventilação.
4. Limpe a porta e a janela em ambos os lados, os vedantes das portas e peças adjacentes com frequência utilizando um pano húmido para eliminar salpicos ou líquidos derramados. Não utilize produtos de limpeza abrasivos.
5. Não permita que o painel de comando se molhe. Limpe com um pano suave e húmido. Ao limpar o painel de comando, deixe a porta do forno aberta para evitar que comece a funcionar acidentalmente.
6. Caso se acumule vapor no interior ou à volta do exterior da porta do forno, limpe com um pano suave. Tal pode acontecer se o forno microondas estiver a funcionar em ambientes de humidade elevada. É perfeitamente normal.
7. Por vezes é necessário retirar a bandeja de vidro para limpar. Lave a bandeja em água quente com sabão ou na máquina de lavar a louça.
8. O aro giratório e a base do forno devem ser limpos regularmente para evitar ruído excessivo. Limpe apenas a superfície do fundo do forno com detergente suave. O aro giratório pode ser lavado com água morna com sabão ou na máquina de lavar louça. Ao retirar o aro giratório da base da cavidade para limpar, assegure-se de que o volta a colocar na posição correcta.
9. Elimine os odores do seu forno colocando uma chávena de água com sumo e casca de um limão num recipiente fundo no microondas durante 5 minutos. Limpe a fundo e seque com um pano suave.
10. Quando for necessário substituir a luz do forno, contacte o seu distribuidor para que a lâmpada seja substituída.
11. O forno deve ser limpo regularmente e eliminados quaisquer restos de comida. O incumprimento de manter o forno limpo pode resultar na deterioração da superfície, o que pode afectar negativamente a vida útil do aparelho, assim como criar uma situação de perigo de incêndio.
12. Por favor, não coloque este aparelho juntamente com o lixo normal. Este aparelho deverá ser levado para um centro de eliminação de resíduos apropriado na sua localidade.

**TERMO DE GARANTIA**

**FAVOR ANEXAR AQUI SEU RECIBO/FISCAL DE COMPRA.  
EM CASO DE RECLAMAÇÃO DURANTE O PRAZO DA GARANTIA ESTE RECIBO/  
FISCAL DE COMPRA DEVE SER APRESENTADO JUNTAMENTE COM ESTA GARANTIA.**

Número do modelo	( Número do lote: )
Nome do produto	
Data da compra	
Local da compra	

1. A parte vendedora do produto (“vendedor”) ao comprador original deste produto (“comprador”) garante por meio deste que o produto é de boa qualidade e, está em perfeitas condições de funcionamento e, sem defeitos e adequado para uso doméstico normal por um período de 1 (um) ano a partir da data da compra (“período da garantia”) deste produto.
2. No caso em que o período de garantia não expirou e o produto não é de boa qualidade, ou em bom estado de funcionamento ou, está com defeito ou não é adequado para a sua finalidade em uso doméstico normal, o cliente pode, de acordo com o Paragrafo 3 ° abaixo, devolver o produto ao vendedor e ter as seguintes opções disponíveis:
  - 2.1 Nos primeiros 6 (seis) meses da garantia: para receber um reembolso do preço efetivamente pago ou a troca do produto para o mesmo produto ou similar do mesmo valor adquirido;
  - 2.2 Dentro dos segundos 6 (seis) meses da garantia: ter o produto trocado para o mesmo produto ou similar do mesmo valor comprado.
3. O vendedor não irá substituir o produto ou reembolsar o comprador de acordo com os termos desta garantia se o produto:
  - 3.1 for modificado contrariando as instruções fornecidas no manual do produto;
  - 3.2 sofrer uso inadequado, abuso ou modificação;
  - 3.3 for defeituoso ou não em condições de funcionamento devido ao desgaste natural
  - 3.4 for danificado devido a negligencia, imprudencia, comportamento malicioso ou criminoso por parte do comprador.
  - 3.5 for utilizado para fins comerciais.
4. Esta garantia aplica-se somente ao produto adquirido do vendedor, não cobrindo quaisquer itens agregados ou instalados no produto pelo comprador.
5. Qualquer reclamação nos termos desta garantia deve ser acompanhada da prova original de compra.
6. Observe que o item de câmbio só irá transportar o saldo do período de garantia a partir da data de compra original.
7. Entre em contato com nosso número de atendimento ao cliente 0800 01 07 09 se precisar de mais informações sobre o produto ou uma cópia do manual de instruções.