

ETHAN ALLEN®

Zara Plug-In Wall Sconce Assembly Instructions

098029P / 098030P

IMPORTANT SAFETY INSTRUCTIONS

TO REDUCE THE RISK OF FIRE, ELECTRICAL SHOCK, AND PERSONAL INJURY: This lighting fixture is for indoor use only. This lamp is equipped with a three-prong plug. DO NOT MODIFY the plug or power cord in any way. DO NOT EXCEED the recommended bulb wattage. Use only the type of bulb specified. Keep flammable materials away from bulb. DO NOT OPEN the product or alter the wiring in any manner. Extension cord: Follow precautions provided with power cord.

READ THESE INSTRUCTIONS COMPLETELY BEFORE STARTING.

This lighting fixture is for indoor use only.

CAUTION: Prior to installation, locate ALL INCLUDED PARTS before disposing of packaging materials.

TOOLS REQUIRED FOR INSTALLATION:

1. Screwdrivers
2. Drill
3. Hammer

Note: Lightbulb(s) are not included. See light fixture for bulb specification.

Parts Included (refer to figure):											
Part	Qty.	Description	Part	Qty.	Description	Part	Qty.	Description	Part	Qty.	Description
A	1	Shade	D	1	Backplate	G	1	Mounting plate	J	1	Cord cover connector
B	2	Socket ring	E	1	Switch	H	3	Screw	K	2	Anchor
C	2	Socket	F	2	Cord cover	I	1	Plug cord	L	2	Tapping screw
									M	1	Plug screw

Assembly Procedure (refer to figures)

1. Prior to installation, ensure that no wiring exists behind the wall you are using for installation. Check for studs in the wall to ensure a sturdy installation site. If there are no studs at the installation site, be sure to use Anchors (K) in Step 5 below.
2. Remove all parts from carton. Do not throw away any parts.
3. Draw a 2-1/8" vertical line on the wall, centered where you want the wall sconce. Be sure the line is plumb.
4. Position the Mounting Plate (G) so that it is bisected by the line drawn on the wall. Insert a pencil through the Keyhole Slots and mark the wall.
5. Drill small pilot holes at marked locations on the wall. Holes should be sized so they accommodate the Wall Anchors (K) provided. Insert Wall Anchors (K) into drilled holes. Mount the Mounting Plate (G) onto the wall by drilling Tapping Screws (L) into Wall Anchors (K). Attach Backplate to Mounting Plate using Screws (F).
6. Install Cord Covers (F) connecting with Cord Cover Connector (J) to the lamp.

7. Remove Socket Rings (B). Place the Shade (A) over the Sockets (C) and secure with Socket Rings (B).
8. If the sconce is being converted to a hardwire fixture, a licensed electrician must wire it. In this case, SHUT OFF THE MAIN ELECTRICAL SUPPLY AT FUSE BOX/CIRCUIT BREAKER FIRST. Then, the Plug Screw (M) can be used to cover the plug on the fixture.
9. Install proper light bulbs (40-watt E12 candelabra bulb or LED equivalent) into Sockets (C).

IMPORTANT SAFETY INSTRUCTIONS to convert to direct-wired lighting. We strongly recommend that all direct-wired lighting products be installed by a **licensed electrician**. Two people may be required for installation. DO NOT EXCEED the rated bulb wattage. Keep flammable materials away from bulb. This light fixture is shipped with all internal wiring intact. Do not open the product or alter the wiring. If installing as a hardwired fixture, installation requires an electrical junction box in the wall sufficient to support the weight of the light fixture.

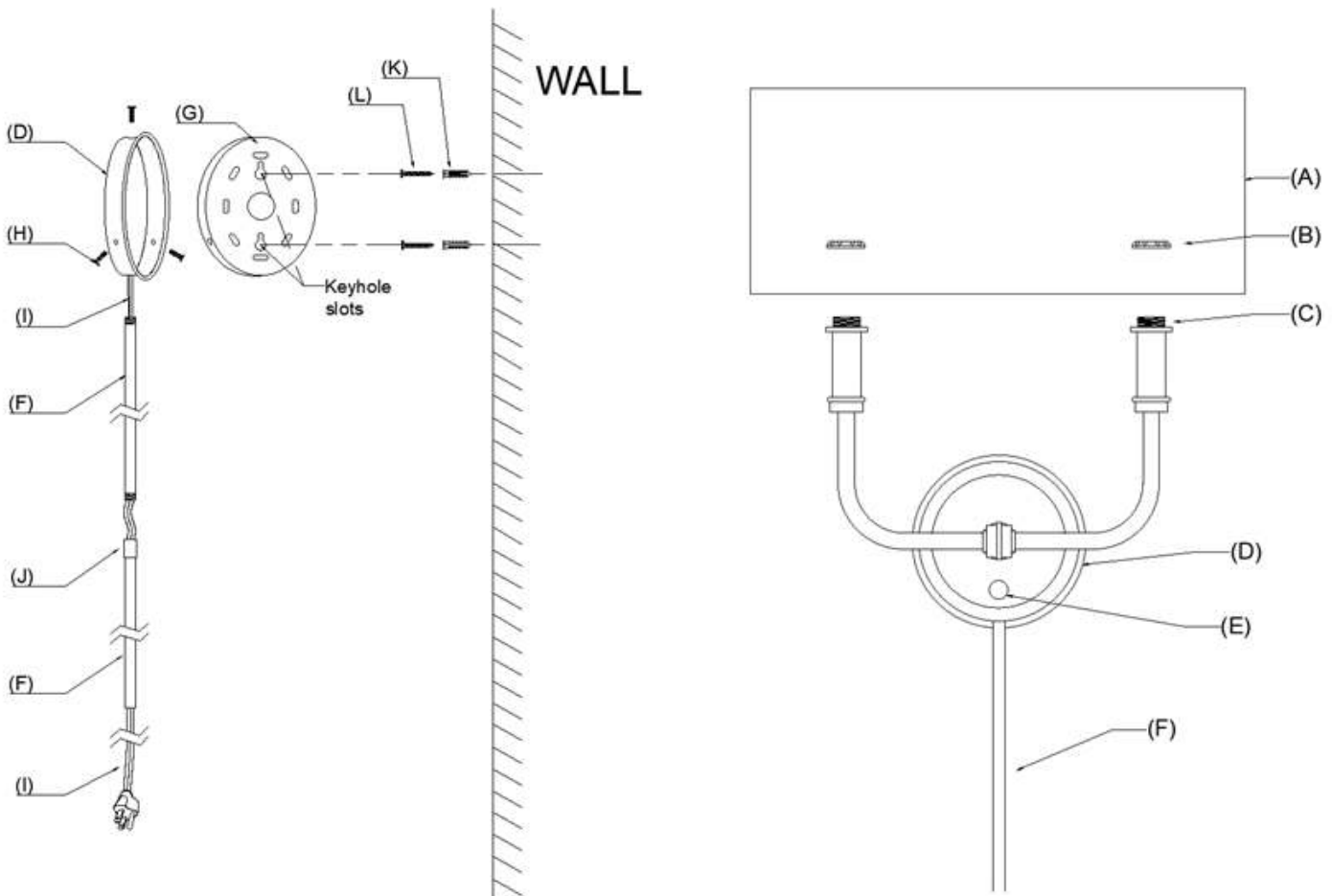


WARNING: If installing as a hardwired fixture, be certain that the power to the electrical junction box is turned off at the circuit breaker before installation. Turning the power off at a light switch is not sufficient to prevent electrical shock. Then, the Plug Screw (M) can be used to cover the plug on the fixture.

Care and Cleaning:

1. Wipe with a soft dry cloth.
2. AVOID cleaners, scouring pads, etc.

After troubleshooting, if the lighting fixture still does not work, contact your local Ethan Allen Design Center.



SAVE THESE INSTRUCTIONS