
EUREKA[®]

EEOT 10LS

10 Liters Oven Toaster



INSTRUCTION MANUAL

230V~60Hz 1000 Watts

Read this booklet and follow all the instructions carefully

EUREKA ELECTRIC APPLIANCES PHILLIPINES CORP.

E. Rodriguez Road, Oxford Compd. Brgy. Sta. Rosa I, Marilao Bulacan

Service Hotline Nos.:

0998-584-2057 / 0917-814-5356

IMPORTANT SAFETY INSTRUCTIONS

When using your *Electric Oven*, basic safety precautions should always be observed, including the following:

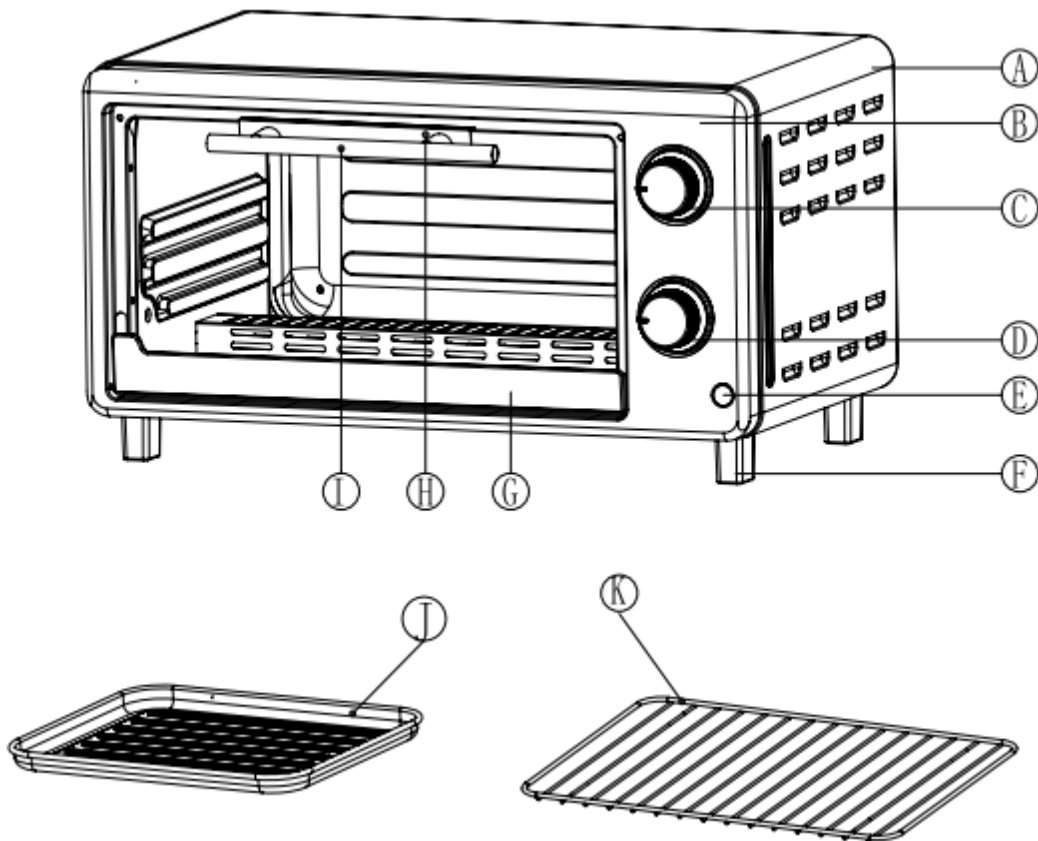
1. Read all instructions.

2. **Do not** touch hot surfaces. Always use handles or knobs.
3. To protect against electric shock, do not immerse cord, plug or any parts of the oven in water or any other liquids.
4. **Do not** let cord hang over edge of table or counter, or touch hot surfaces.
5. **Do not** operate appliance with damaged cord or plug or after the appliance malfunctions or has been damaged in any manner. Return appliance to the nearest authorized service facility for examination, repair or adjustment.
6. The use of accessory attachments not recommended by the appliance manufacturer may cause hazard or injury.
7. **Do not** place on or near a hot gas or electric burner.
8. Unplug from outlet when not in use and before cleaning. Allow to cool before putting on or taking off parts, and before cleaning.
9. To disconnect, turn the time control to OFF, then remove the plug. Always hold the plug, and never pull the cord.
10. Extreme caution must be used when moving a drip pan containing hot oil or other hot liquids.
11. **Do not** cover crumb tray or any part of the oven with metal foil. This may cause the oven to overheat.
12. Use extreme caution when removing the tray, racks or disposing of hot grease or other hot liquids.
13. **Do not** clean the inside of the oven with metal scouring pads, pieces can break off the pad and touch electrical parts, creating a risk of electric shock.
14. Oversized foods or metal utensils must not be inserted in a toaster oven as they may create a fire or risk of electric risk.
15. A fire may occur if the oven is covered or touching flammable material, including the curtains, draperies, walls, and the like, when in operation. Do not store any item on top of the appliance when in operation.
16. Extreme cautions should be exercised when using cooking or baking containers constructed of anything other than metal or ovenproof glass.
17. Be sure that nothing touches the top or bottom elements of the oven.
18. **Do not** place any of the following materials in the oven: cardboard, plastic, paper, or anything similar.
19. **Do not** store any materials other than manufacturer's recommended accessories in this oven when not in use.
20. Always wear protective, insulated oven gloves or use a special handle when inserting or removing items from the hot oven
21. This appliance has a tempered, safety glass door. The glass is stronger than ordinary glass and more resistant to breakage. Tempered glass can still break around edges. Avoid scratching door surface or nicking edges.
22. **Do not** use outdoors.
23. **Do not** use appliance for other than intended use.
24. **The appliance** can be used by children aged from 8 years and above and persons with reduced physical sensory or mental capabilities or lack of experience and knowledge if they have been given supervision or instruction concerning use of the appliance in a safe way and understand the hazards involved.
25. Children shall not play with the appliance.
26. Cleaning and user maintenance shall not be made by children unless they are old than 8 and supervised.
27. Keep the appliance and its cord out of reach of children less than 8 years.
28. If the supply cord is damaged, it must be replaced by the manufacturer, its service agent or similarly qualified persons in order to avoid a hazard.
29. This appliance is not intended for use by persons (including children) with reduced physical sensory or mental capabilities, or lack of experience and knowledge, unless they have been given supervision or instruction concerning use of the appliance by a person responsible for their safety.
30. Children should be supervised to ensure that they do not play with the appliance.
31. The door or the outer surface may get hot when the appliance is operating.
32. The temperature of accessible surfaces may be high when the appliance is operating.

SAVE THESE INSTRUCTIONS, FOR HOUSEHOLD USE ONLY.

Getting To Know Your New Oven

MAIN COMPONENT:



A: Housing

B: Front panel

C: Temperature control knob

D: Timer

E: Indicator light

F: Oven foot

G: Lower door frame

H: Upper door frame

I: Handle

J: Bake tray

K: Wire rack

Technical Specifications

Voltage: 230V~ 60Hz

Power: 1000 Watts

Before using your oven

▲ Before using your electric oven with convection for the first time, be sure to:

1. Read all of the instruction included in this manual.
2. Make sure that the oven is unplugged and the **Time control** is in the “OFF” position.
3. Wash all the accessories in hot, soapy water or in the dishwasher.
4. Thoroughly dry all accessories and re-assemble in oven, plug oven into outlet and you are ready to use your new toaster oven.
5. After re-assembling your oven, we recommend that you run it at the highest temperature (250°C) on the toast function for approximately 15 minutes to eliminate any packing residue that may remain after shipping. This will also remove all traces of odor initially present.

Please Note: Initial start-up operation may result in minimal smell and smoke (about 15 minutes). This is normal and harmless. It is due to burning of the protective substance applied to the heating elements in the factory.

Please familiarize yourself with the following oven functions and accessories prior to first use:

- **Temperature Control:** choose the desired temperature from **100°C** to **250°C** for cooking.
- **Time Control:** when you turn activate the timer segment of the control, turn to the right (clockwise) to toast or use as a timer. This function also has a bell rings at the end of the programmed time.
- **Indicator light:** It will light when the heating element is turned on.
- **Bake Tray :** For use in broiling and roasting meat, poultry, fish and various other foods.
- **Wire Rack :** For toasting, baking, and general cooking in casserole dishes and standard pans.

WARNING: TO AVOID RISK OF INJURY OR BURNS, DO NOT TOUCH HOT SURFACES WHEN OVEN IS IN USE. ALWAYS USE OVEN MITTS.



CAUTION: Always use extreme care when removing bake tray, wire rack or any hot container from a hot oven. Always use the rack handle, or an oven mitt when removing hot items from the oven.

HOW TO TOAST

Please note that the TOAST function uses all the heating elements. Large capacity oven allows for toasting 4 to 6 slices of bread, 6 muffins, frozen waffles or frozen pancakes. When toasting only 1 or 2 items, place food on the bake rack in the center of the oven.

Operation:

- Set the Temperature Control Knob to desired temperature.
- Place food to be toasted on the wire rack.
- Turn the time control knob to your desired cooking time.
- Bell will ring to signal the end of the toast cycle.
- When toasting is complete, turn function control to "OFF".

Note: Wire Rack should be positioned in the middle of the oven with the indentations pointing down.

Cleaning and Maintenance

Clean the appliance every time after use.

1. Remove the plug from the wall socket and allow the appliance to cool down completely.
2. Use warm water with a small amount of washing-up liquid to clean the baking tray, the grille and the removal tool. Rinse the items with plenty of water and dry them thoroughly.
3. Use a damp cloth to clean the interior and exterior of the oven and the door. Dry them thoroughly.
4. Place all the items back in the oven and store the oven



- Make sure the plug has been removed from the plug socket before cleaning the appliance.
- Never use corrosive or scouring cleaning agents or sharp objects (such as knives or hard brushes) to clean the appliance.
- Never immerse the appliance, the power cord or the plugin water or any other fluid



ENVIRONMENT PROTECTION

Dispose the appliance according to the local garbage regulations

Never throw it away to the rubbish, so you will help to the improvement of the environment