



Installation Instructions for Welded Wire with U-Posts

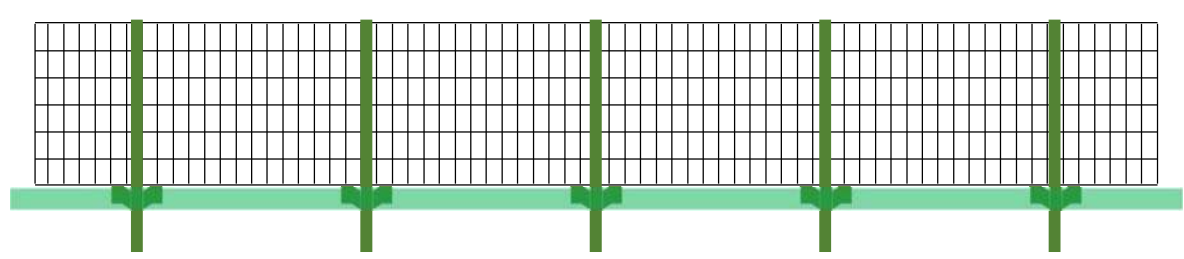
Welded Wire is designed with a rectangular mesh, typically 2" x 4" or 2" x 3". This fencing is often used to delineate property lines, confine pets, and keep out other animals. Welded Wire can also be used for plant protection and support purposes, as well as for home crafts. It is available in galvanized, PVC Coated Green, and PVC Coated Black configurations. It is galvanized for long life.



Tools Recommended: Gloves, Rubber Mallet, Side Cutters, Flathead Screwdriver

For light duty or temporary fencing projects up to 4' tall, U-Posts are the best choice for installing Welded Wire. For projects over 4' tall, T-Posts are the best choice. U-Posts are designed with tabs to make installation of Welded Wire fences easy. Ensure that the post selected is at least 1 foot taller than your selected Welded Wire. For example, if using 36" tall Welded Wire, select a 48" tall U-Post. Each post is manufactured with an anchor plate welded toward the bottom to prevent the post from freely moving once installed in the ground. The number of posts needed depends on the length of Welded Wire selected.

1. Before starting, ensure the space in which you are installing your Welded Wire fencing does not have any underground wires or pipe so as to avoid damaging them when installing the U-Posts.
2. Measure your desired fence perimeter. Confirm that it is less than or equal to the total length of your selected Welded Wire. The perimeter may be a straight line. It may also be an enclosed area like a rectangle, square, or circle.
3. Install your first U-Post at the one end of the fence perimeter. U-Posts should be pounded in with a rubberized mallet. Be sure to install U-Posts with the tabs facing in the same direction (see picture to the right) and facing outward from the perimeter area. They will install about 12 inches into the ground such that the anchor plate is below the dirt or grass line.
4. Allow for plenty of post to remain to install the fence. The U-Post may stick up slightly higher than the Welded Wire.
5. Install a second post at the other end of the fence perimeter. If you are creating an enclosed fence area, install a U-Post at the location of each corner or bend in the fence.
6. Depending on the total length of your desired fence, install additional U-Posts at 5 to 7 foot intervals. Having your U-Posts at uniform intervals will make for a neater looking fence.
7. Once the U-Posts are installed, at a total distance not to exceed the length of your selected Welded Wire, you are ready to install your Welded Wire on the U-Posts .
8. Unwind the Welded Wire on the ground.
9. Starting at the first U-Post, hook the Welded Wire fencing onto the U-Post tabs. You may need to bend the U-Post tabs out slightly using a flathead screwdriver. Ensure that your Welded Wire fencing touches the grass.
10. Continue along your fence perimeter hooking the Welded Wire fencing to each consecutive U-Post. If your perimeter has corners, carefully bend the Welded Wire fencing around the U-Post at the corner.
11. Continue until the fence is in place and hooked onto each U-Post.
12. If your final fence design is less than the length of your selected Welded Wire, you can carefully use a side cutter to cut your fence to size. Use caution as this can leave sharp ends on your fence. Bending these cut ends over can mitigate this potential problem.



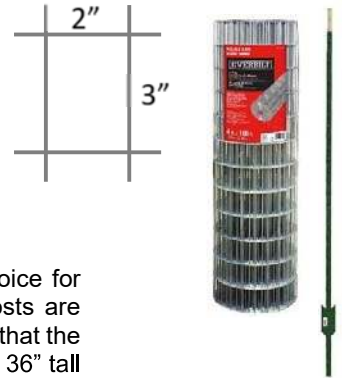
For More Questions & Concerns Please Call: (800) 628-8815

Revision 6-2019



Installation Instructions for Welded Wire with T-Posts

Welded Wire is designed with a rectangular mesh, typically 2" x 4" or 2" x 3". This fencing is often used to delineate property lines, confine pets, and keep out other animals. Welded Wire can also be used for plant protection and support purposes, as well as for home crafts. It is available in galvanized, PVC Coated Green, and PVC Coated Black configurations. It is galvanized for long life.



Tools Recommended: Gloves, Post Driver, Side Cutters, Flathead Screwdriver, T-Post Clips

For light duty or temporary fencing projects 4 foot tall or above, T-Posts are the best choice for installing Welded Wire. For projects under 4 foot tall, U-Posts are the best choice. T-Posts are designed for use with T-Post Clips to make installation of Welded Wire fences easy. Ensure that the post selected is at least 1 foot taller than your selected Welded Wire. For example, if using 36" tall Welded Wire, select a 48" tall T-Post. Each post is manufactured with an anchor plate welded toward the bottom to prevent the post from freely moving once installed in the ground. The number of posts needed depends on the length of Welded Wire selected.



Post Driver

1. Before starting, ensure the space in which you are installing your Welded Wire fencing does not have any underground wires or pipe so as to avoid damaging them when installing the T-Posts.
2. Measure your desired fence perimeter. Confirm that it is less than or equal to the total length of your selected Welded Wire. The perimeter may be a straight line. It may also be an enclosed area like a rectangle, square, or circle.
3. Install your first T-Post at the one end of the fence perimeter. T-Posts should be pounded in with a Post Driver. Be sure to install T-Posts with the tabs facing in the same direction and facing inward from the perimeter area. They will install about 12 inches into the ground such that the anchor plate is below the dirt or grass line.
4. Allow for plenty of post to remain to install the fence. The T-Post may stick up slightly higher than the Welded Wire.
5. Install a second post at the other end of the fence perimeter. If you are creating an enclosed fence area, install a T-Post at the location of each corner or bend in the fence.
6. Depending on the total length of your desired fence, install additional T-Posts at 5 to 7 foot intervals. Having your T-Posts at uniform intervals will make for a neater looking fence.
7. Once the T-Posts are installed, at a total distance not to exceed the length of your selected Welded Wire, you are ready to install your Welded Wire on the T-Posts.
8. Unwind the Welded Wire on the ground.
9. Starting at the first T-Post, secure the Welded Wire fencing to the T-Post using the T-Post Clips. You may need to use a screwdriver to assist in securing the T-Post Clips to the T-Post. Ensure that your Welded Wire fencing touches the grass.
10. Continue along your fence perimeter securing the Welded Wire fencing to each consecutive T-Post using approximately 4 to 5 T-Post Clips on each T-Post. If your perimeter has corners, carefully bend the Welded Wire fencing around the T-Post at the corner.
11. Continue until the fence is in place and secured to each T-Post.
12. If your final fence design is less than the length of your selected Welded Wire, you can carefully use a side cutter to cut your fence to size. Use caution as this can leave sharp ends on your fence. Bending these cut ends over can mitigate this potential problem.

T-Post Clip

