

Tools Required:

Screwdriver
Allen Wrench

Optional:

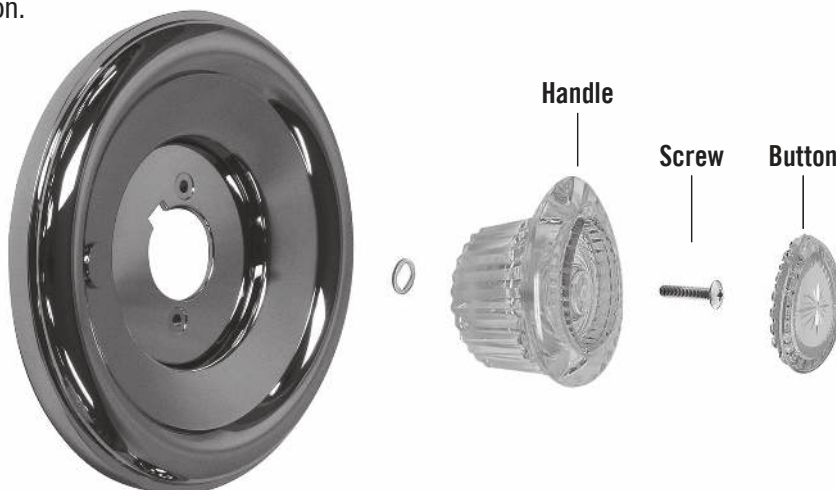
Handle Puller

Single Handle with Set Screw**Installation Instructions:**

1. Remove handle red & blue hole button, if present.
2. Use allen wrench to loosen the handle set screw.
3. Remove the old handle. Pry with screwdriver from both sides, to rock on and off, if needed. Use handle puller if needed.
4. Replace handle and secure with set screw. Insert red & blue hole button if present.

**Single Handle with Button****Installation Instructions:**

1. Remove the handle button and screw.
2. Remove the old handle. Pry with screwdriver from both sides, to rock on and off, if needed. Use handle puller if needed.
3. Replace handle and screw, then replace the button.

**Handles without Buttons****Installation Instructions:**

1. Remove the handle screw.
2. Remove the old handle. Pry with screwdriver from both sides, to rock on and off, if needed. Use handle puller if needed.
3. Replace handle and screw.

