

EDID 111H 4K PLUS • Setup Guide

IMPORTANT NOTE:

Go to www.extron.com for the complete user guide, installation instructions, and specifications before connecting the product to the power source.



This setup guide provides instructions for an experienced installer to install and operate the EDID 111H 4K PLUS.

The EDID 111H 4K PLUS is a single-input, single-output HDMI EDID emulator supporting video rates up to 4K@60 Hz 4:4:4. It supports EDID Minder, HDCP 2.3, and Extron Product Configuration Software (PCS) configuration. The EDID 111H 4K PLUS can also capture and store EDID information from a connected display via the front panel **STORE** button.

The EDID 111H 4K PLUS is housed in a 1 inch high, quarter-rack width, 6-inch deep enclosure. An external universal power supply is included.

Rear Panel Cabling

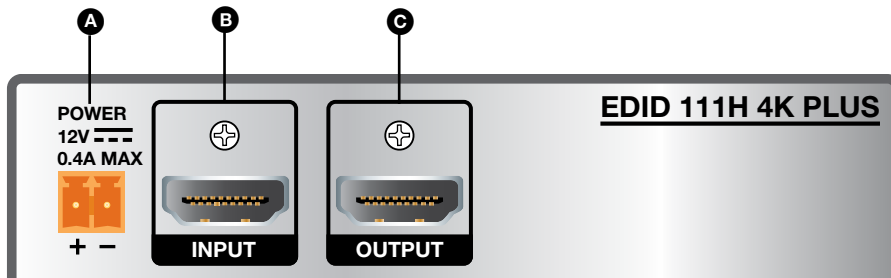


Figure 1. EDID 111H 4K Plus Rear Panel

- A Power Connector** — Connect the included 12 VDC power supply to the orange, two-pole, 3.5 mm captive screw connector. Wire the power supply as shown in figure 2.

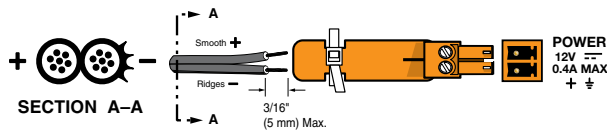


Figure 2. External Power Supply Connection

ATTENTION: Risk of property damage:

ATTENTION : Risque de dommages matériels :

- Do not connect any external power supplies until you have read the Attention notifications in the Power Supply section of the user guide for that device.
- Ne branchez pas de sources d'alimentation externes avant d'avoir lu les mises en garde dans la section « Power Supply » du guide utilisateur pour cet appareil.

- B HDMI Input** — Connect an HDMI source to this HDMI connector.

- C HDMI Output** — Connect a display or other output device to the HDMI connector.

HDMI Connector LockIt Lacing Bracket

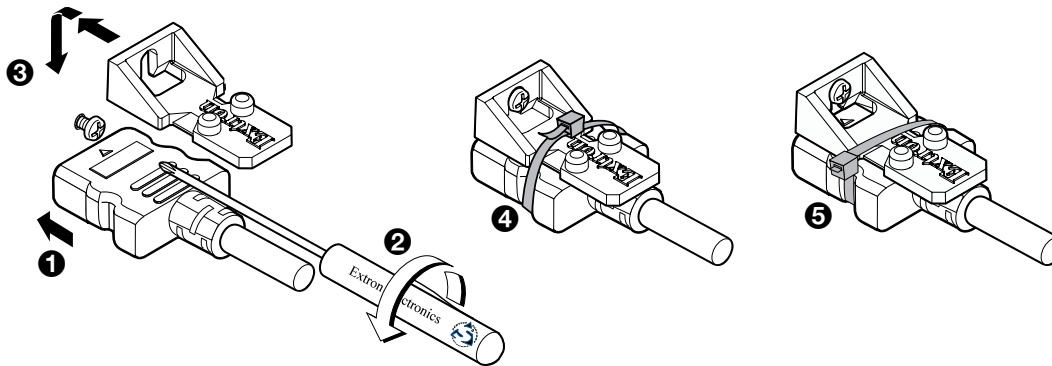


Figure 3. Connecting HDMI Cable to LockIt Lacing Bracket

Use the Extron LockIt Lacing Bracket to secure HDMI cables to the device.

1. Plug the HDMI cable into the rear panel connection (see figure 3, ①).
2. Loosen the HDMI connection mounting screw from the panel enough to allow the LockIt Lacing Bracket to be placed over it (②). The screw does not have to be removed.
3. Place the LockIt Lacing Bracket on the screw and against the HDMI connector (③), then tighten the screw to secure the bracket.

ATTENTION:

- Do not overtighten the HDMI connector mounting screw. The shield to which it is fastened is very thin and can easily be stripped.
- Ne serrez pas trop la vis de montage du connecteur HDMI. Le blindage auquel elle est attachée est très fin et peut facilement être dénudé.

4. Loosely place the included tie wrap around the HDMI connector and the LockIt Lacing Bracket as shown (④).
5. Hold the connector securely against the lacing bracket, tighten the tie wrap, then remove the excess length (⑤).

Front Panel

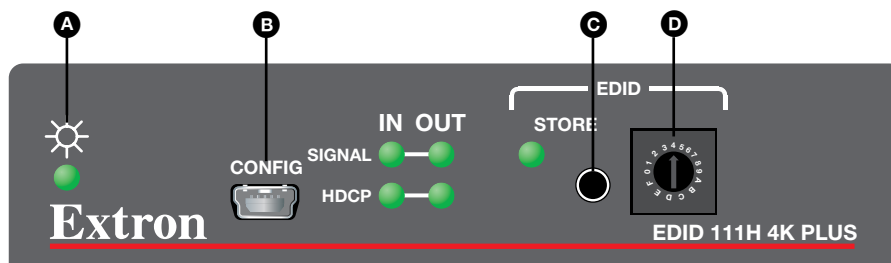


Figure 4. EDID 111H 4K Plus Front Panel

- A Power LED** – Illuminates when the external power supply is connected and powered.
- B Config Port** – Connect a host computer using a USB mini-B cable for device configuration.
- C EDID STORE Button** – Press this recessed button to start reading and storing an EDID. The EDID files are stored to user slots selected using the rotary switch (D). Up to four EDID files can be stored.
- D EDID Selection Rotary Switch** – This 16-position rotary switch allows the user to select from 12 factory EDID files and 4 user-stored slots. When any position 0-F is selected, the corresponding slot in the EDID lookup table is assigned to the input, and an unsolicited SIS response is sent. See the table on the next page for EDID information corresponding to each slot.

| Rotary Switch Position | Native Resolution | Refresh | Audio Format |
|------------------------|-------------------|---------|--------------|
| 0 | 1280 x 800 | 60 Hz | 2-Ch |
| 1 | 1600 x 900 | 60 Hz | 2-Ch |
| 2 | 1920 x 1200 | 60 Hz | 2-Ch |
| 3 | 2560 x 1400 | 60 Hz | 2-Ch |
| 4 | 2560 x 1600 | 60 Hz | 2-Ch |
| 5 | 720p | 50 Hz | 2-Ch |
| 6 | 720p | 60 Hz | 2-Ch |
| 7 | 1080p | 50 Hz | 2-Ch |
| 8 | 1080p | 60 Hz | 2-Ch |
| 9 | 4K/UHD | 30 Hz | 2-Ch |
| A | 4K/UHD 4:2:0 | 60 Hz | 2-Ch |
| B | 4K/UHD 4:4:4 | 60 Hz | 2-Ch |
| C | Store Slot 1 | | |
| D | Store Slot 2 | | |
| E | Store Slot 3 | | |
| F | Store Slot 4 | | |

| LED State | Rotary Switch | Store Button | Description |
|------------------|---------------|--------------------------------------|---|
| Off | 0-B | Non-functional | EDID storing is not possible on the selected rotary position. |
| Green (flashing) | C-F | Button has been pressed and released | The STORE button has been pressed and the EDID is currently being stored to the selected user store slot. |
| Green (solid) | C-F | N/A | EDID storing is possible on the selected rotary position, or the storing process is complete (if following the flashing state). |

Connecting and Powering the EDID 111H 4K PLUS

1. Set the rotary switch to the desired resolution (see [figure 4](#), **D** on the previous page).
2. Connect an HDMI cable from the source to the EDID 111H 4K PLUS Input (see [figure 1](#), **B**).
3. Connect an HDMI cable from the EDID 111H 4K PLUS Output (see [figure 1](#), **C**) to the display or distribution system.
4. Turn on the video display.
5. Connect the power supply to the EDID 111H 4K PLUS (see [figure 1](#), **A**).
6. Connect AC power to the power supply. The EDID 111H 4K PLUS power LED lights green.
7. Turn on the video source. The video source reads the EDID from the EDID 111H 4K PLUS.

For information on safety guidelines, regulatory compliances, EMI/EMF compatibility, accessibility, and related topics, see the [Extron Safety and Regulatory Compliance Guide](#) on the Extron website.