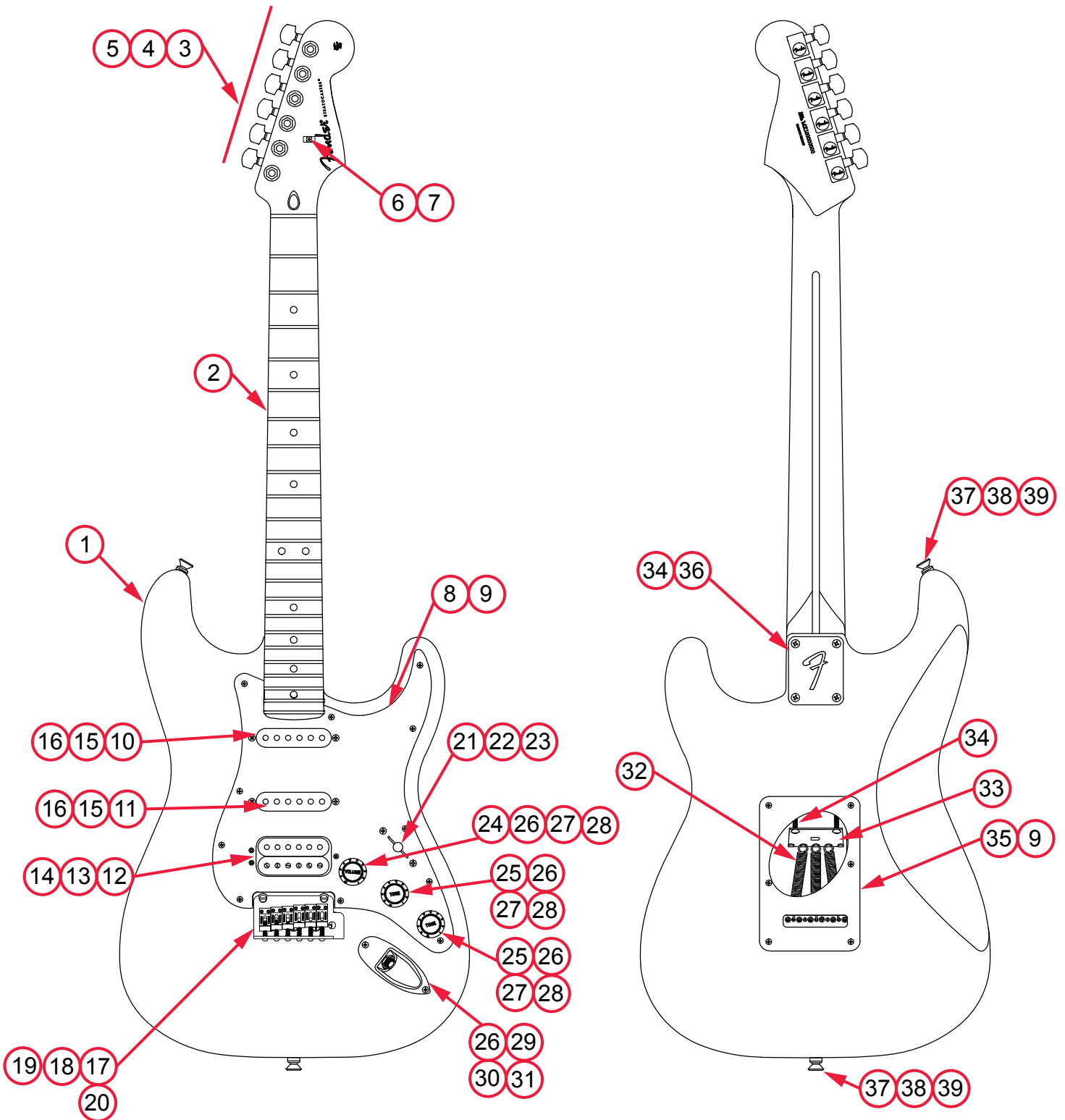


PLAYER STRATOCASTER® HSS

(014-4522-XXX / 014-4523-XXX)

PARTS LAYOUT



PLAYER STRATOCASTER® HSS

(014-4522-XXX / 014-4523-XXX)

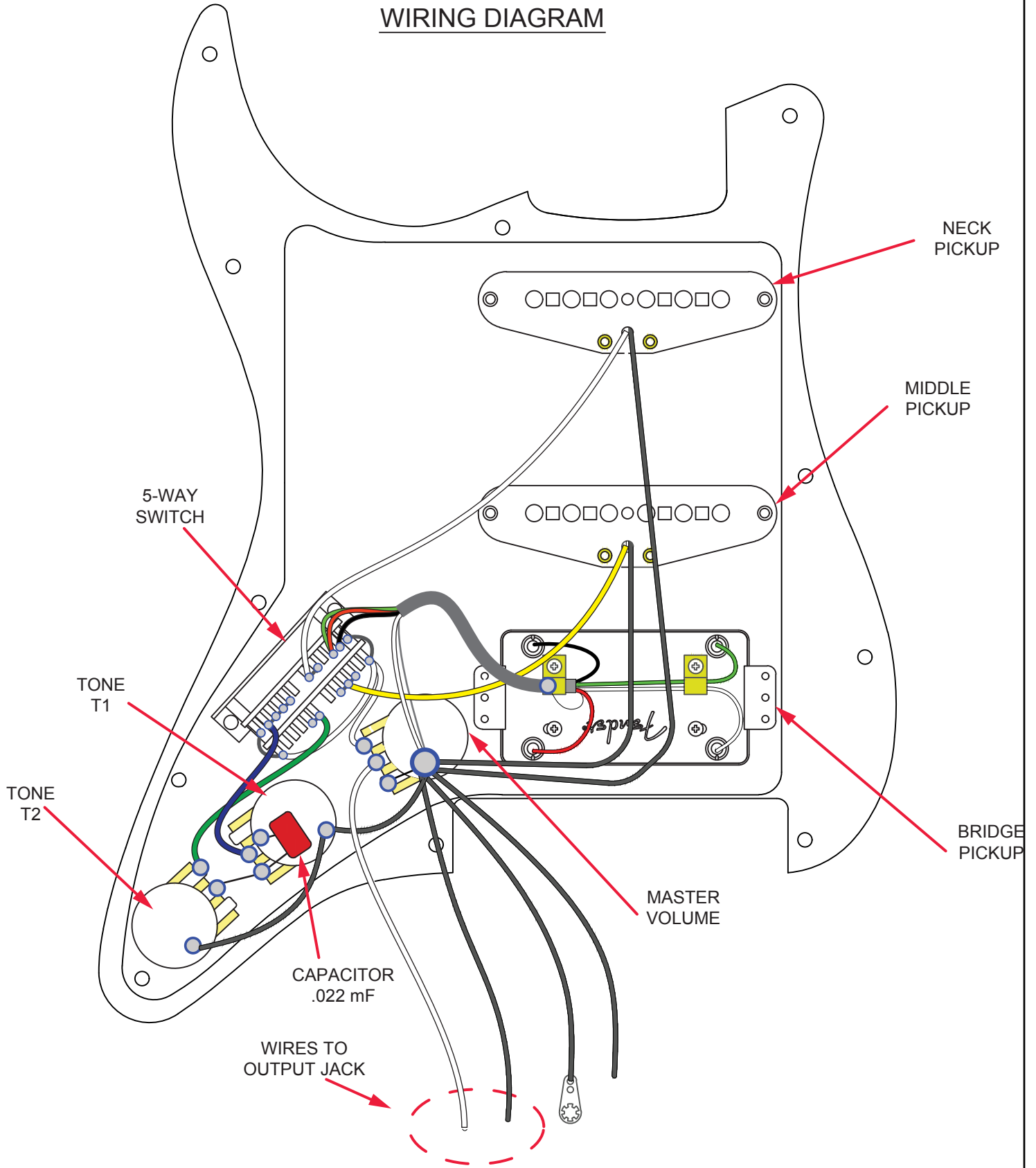
PARTS LIST

REF#	DESCRIPTION	PART NUMBER
1	BODY PLAYER STRAT PWT	7712522515
	BODY PLAYER STRAT BLK	7712522506
	BODY PLAYER STRAT 3TSB	7712522500
	BODY PLAYER STRAT SRD	7712522525
	BODY PLAYER STRAT TPL	7712522513
	BODY PLAYER STRAT SGM	7712522519
	BODY PLAYER STRAT BCR	7712522534
2	NECK PLAYER STRAT PF	7712308000
	NECK PLAYER STRAT MN	7712306000
3	KEY GTR DUAL PIN MNT	0037429049
4	WASHER KEY	0053106049
5	BUSHING KEYS	0058820049
6	STRING TREE, VINTAGE NI	0994910000
7	SCRW SMAB 3x3/8 RHP NI	0011357049
8	PICKGUARD STRAT 1HB P/B/P	0090878000
9	SCRW SMAB 4x1/2 OHP NI	0015578049
10	PICKUP ASSY STD MEX NECK PARCH	7713131000
11	PICKUP ASSY STD MEX MID PARCH	7713132000
12	PICKUP ASSY SHAWBUCKER PARCH	7712283000
13	SPRING HB MTG 3/4"	0050167049
14	SCREW M#3-48x13/16 RHP#4 HD NI	0050166049
15	TUBING LATEX CUT .300 x 1/8ID x 1/4OD	0994916000
16	SCRW 6-32X3/4 RHP STL NI	0099346000
17	BRIDGE ASSY, 2 PT. TREM	0072253000
18	INSERT SCREW MACH,BRIDGE PIVOT	0028958049
19	SCREW MACHINE-BRIDGE PIVOT	0028957049
20	ARM TREM VINT PING SGGBA-FCR	0992310100
21	SWITCH 5 WAY LEVER W/METAL GRG	0991367000
22	KNOB PICKUP SWITCH PARCHMENT	0056253049
23	SCREW-MA 6-32X5/8 RH NI	0994925000
24	KNOB STRAT VOLUME PARCH	0056254049
25	KNOB STRAT TONE PARCH	0056254049



PLAYER STRATOCASTER® HSS
(014-4522-XXX / 014-4523-XXX)

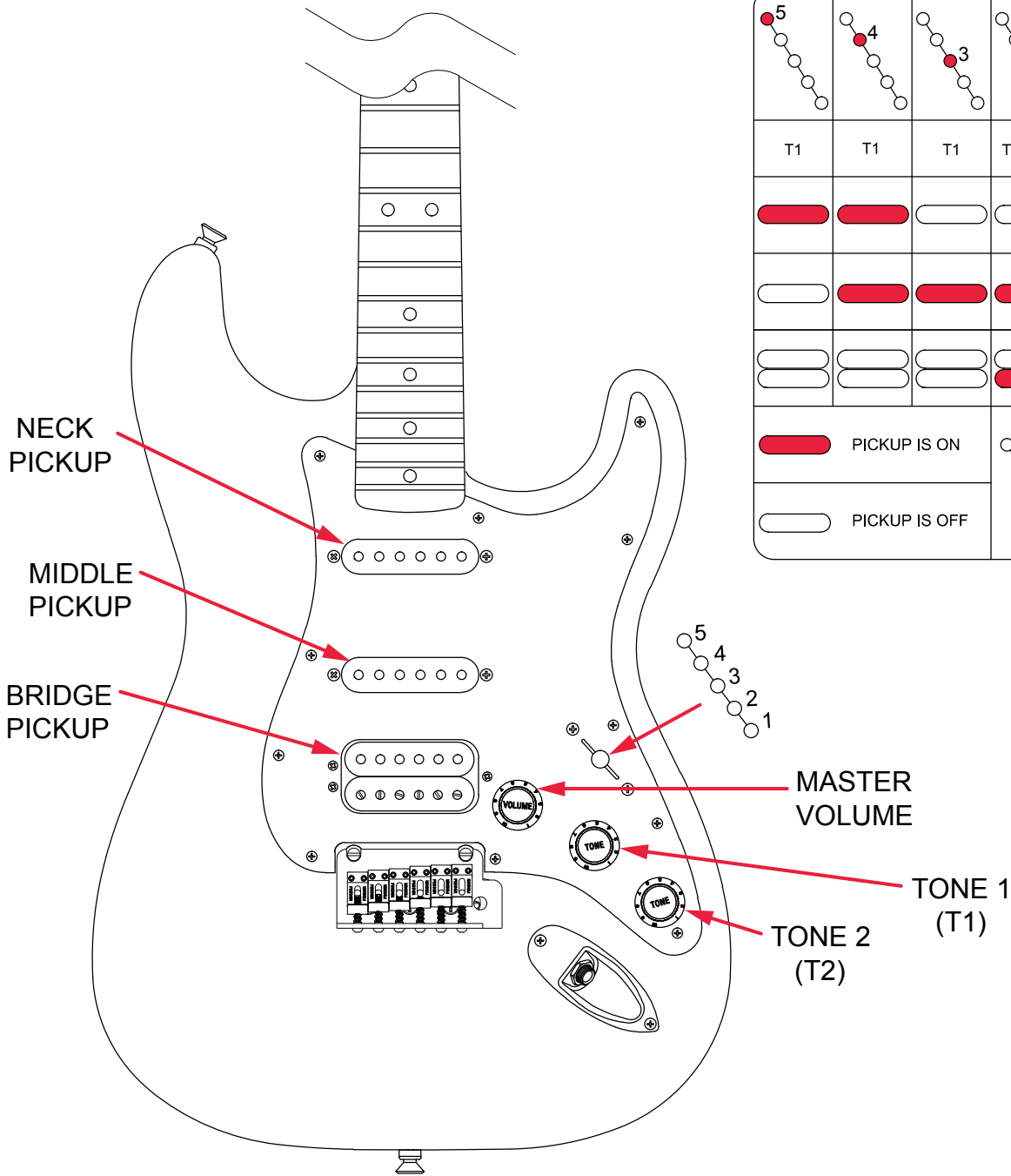
WIRING DIAGRAM



PLAYER STRATOCASTER® HSS

(014-4522-XXX / 014-4523-XXX)

SWITCH AND CONTROL FUNCTION

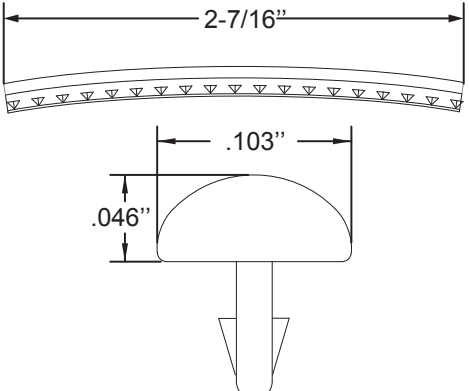
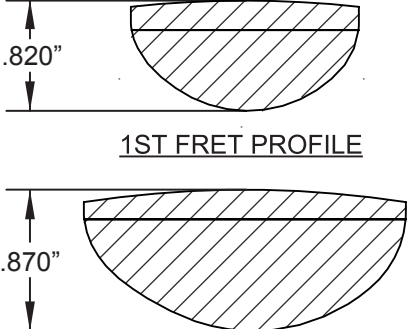


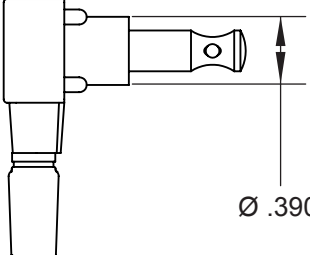
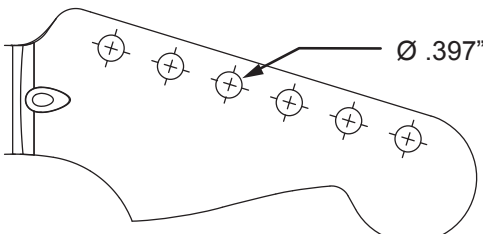
5-WAY SWITCH POSITION					SWITCH POSITION
					TONE CONTROL
					NECK PICKUP
					MIDDLE PICKUP
					BRIDGE PICKUP
	PICKUP IS ON				INDICATES POSITION OF 5-WAY SWITCH
	PICKUP IS OFF				

PLAYER STRATOCASTER® HSS

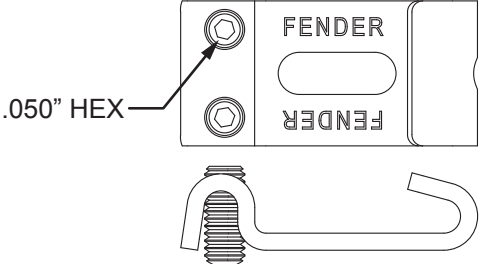
(014-4522-XXX / 014-4523-XXX)

ADDITIONAL SPECIFICATION DETAIL

<p>FRET SIZE: MEDIUM JUMBO (FRET DIMENSIONS ARE BEFORE INSTALLATION)</p> 	<p>PLEASE NOTE: AS EACH NECK IS SANDED & FINISHED BY HAND, THICKNESS DIMENSIONS MAY VARY SLIGHTLY FROM THOSE SHOWN.</p>	<p>NECK PROFILE: MODERN "C"</p>  <p>1ST FRET PROFILE</p> <p>12TH FRET PROFILE</p>
---	---	---

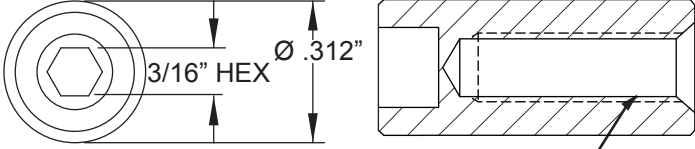
<p>KEY GTR DUAL PIN MNT PING P/N 0037429049</p> <p>BUSHING KEYS PING P/N 0058820049</p>  <p style="text-align: center;">Ø .390"</p>	<p>TUNING MACHINE THRU-HOLE INNER DIAMETER .397"</p>  <p style="text-align: right;">Ø .397"</p>
---	---

SADLE HEIGHT ADJUSTMENT WRENCH:
.050" HEX KEY P/N: 0018531049



SADDLE HEIGHT ADJUSTMENT SCREW
P/N 0075536000

TRUSS ROD NUT P/N 0038454000



3/16" HEX Ø .312"

10-32
THREAD

LOGO: DECAL STRAT MEX 2018
APPLIED UNDER THE FINISH



PICKUP SPECIFICATIONS			
POSITION	MAGNETS	DC RESISTANCE	POLARITY
NECK	ALNICO 5 BEV	7.44KΩ	NORTH
MIDDLE	ALNICO 5 BEV	8.0KΩ	SOUTH
BRIDGE	ALNICO 2 BAR	7.6KΩ	SOUTH NORTH

