



FIAMMA 02094-06A Carry-Bike Caravan Active E-Bike Instruction Manual

February 17, 2022 February 18, 2022

[Home](#) » [FIAMMA](#) » FIAMMA 02094-06A Carry-Bike Caravan Active E-Bike Instruction Manual 



Carry-Bike Caravan Active E-Bike



Instruction Manual

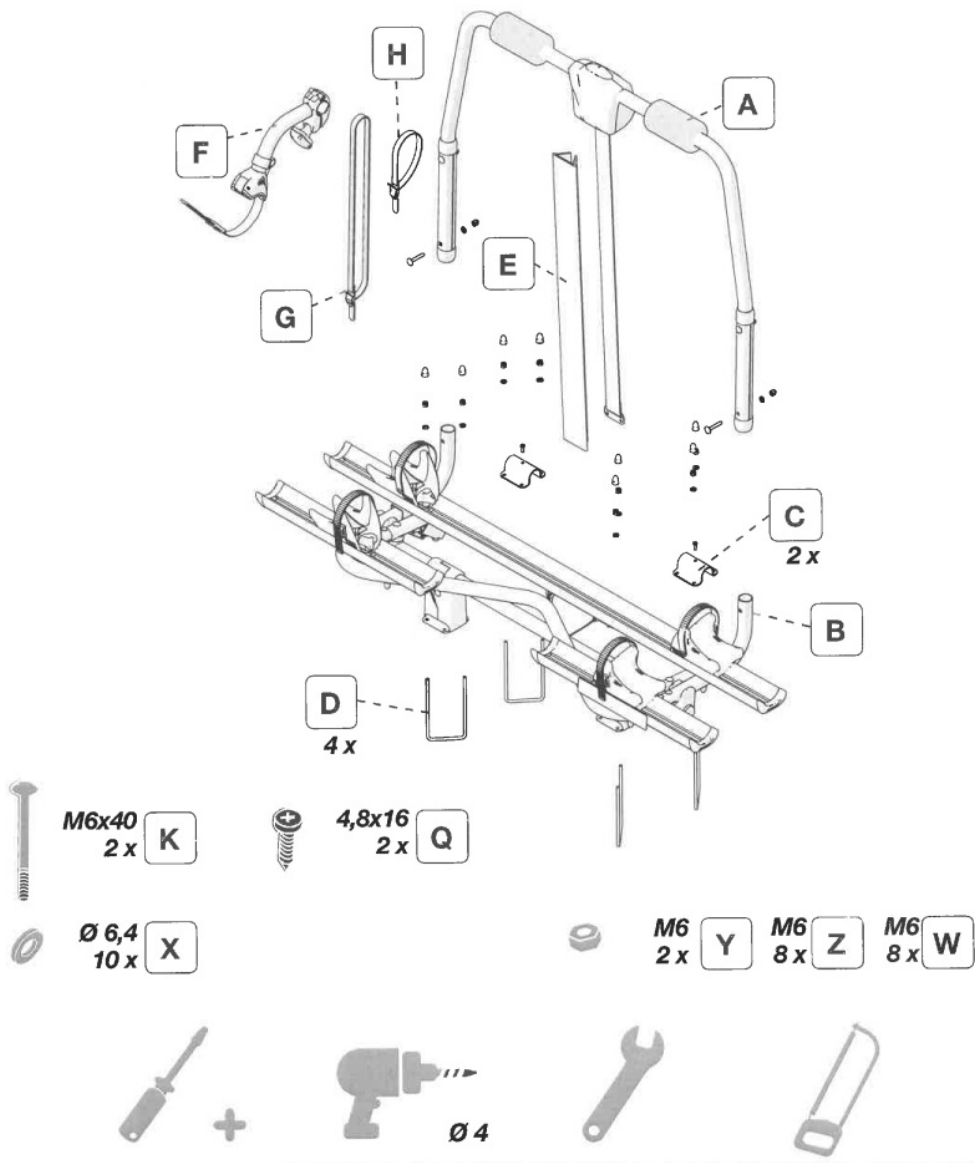
**Carry-Bike Caravan
Active E-Bike 02094-06A**

Contents [[hide](#)]

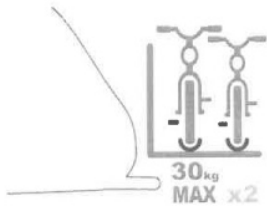
1 Carry-Bike

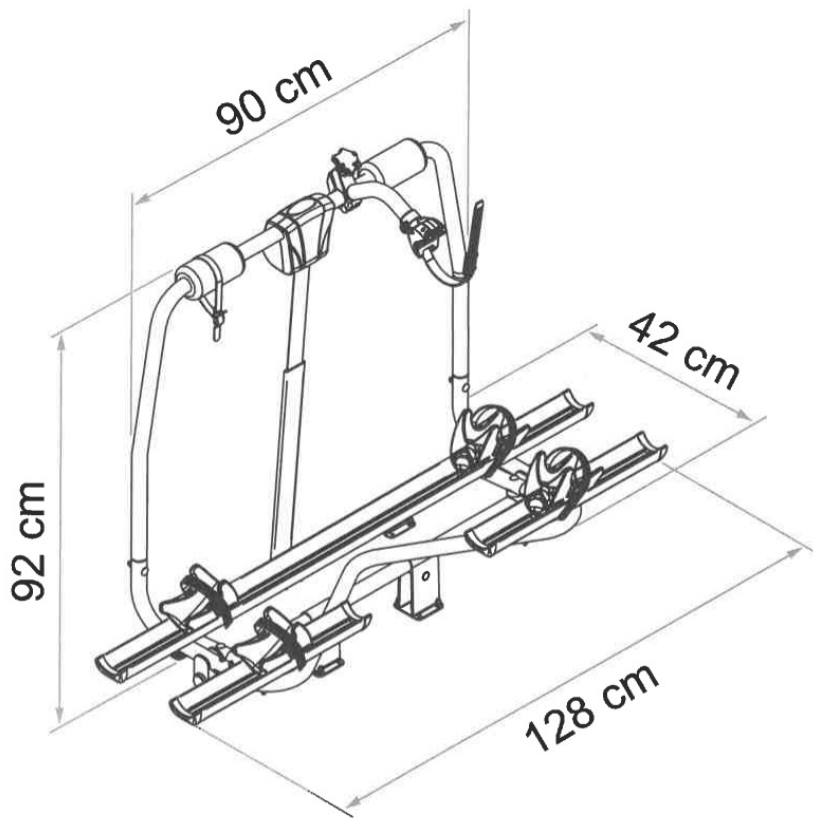
2 Documents / Resources

**2.1 Related Manuals /
Resources**



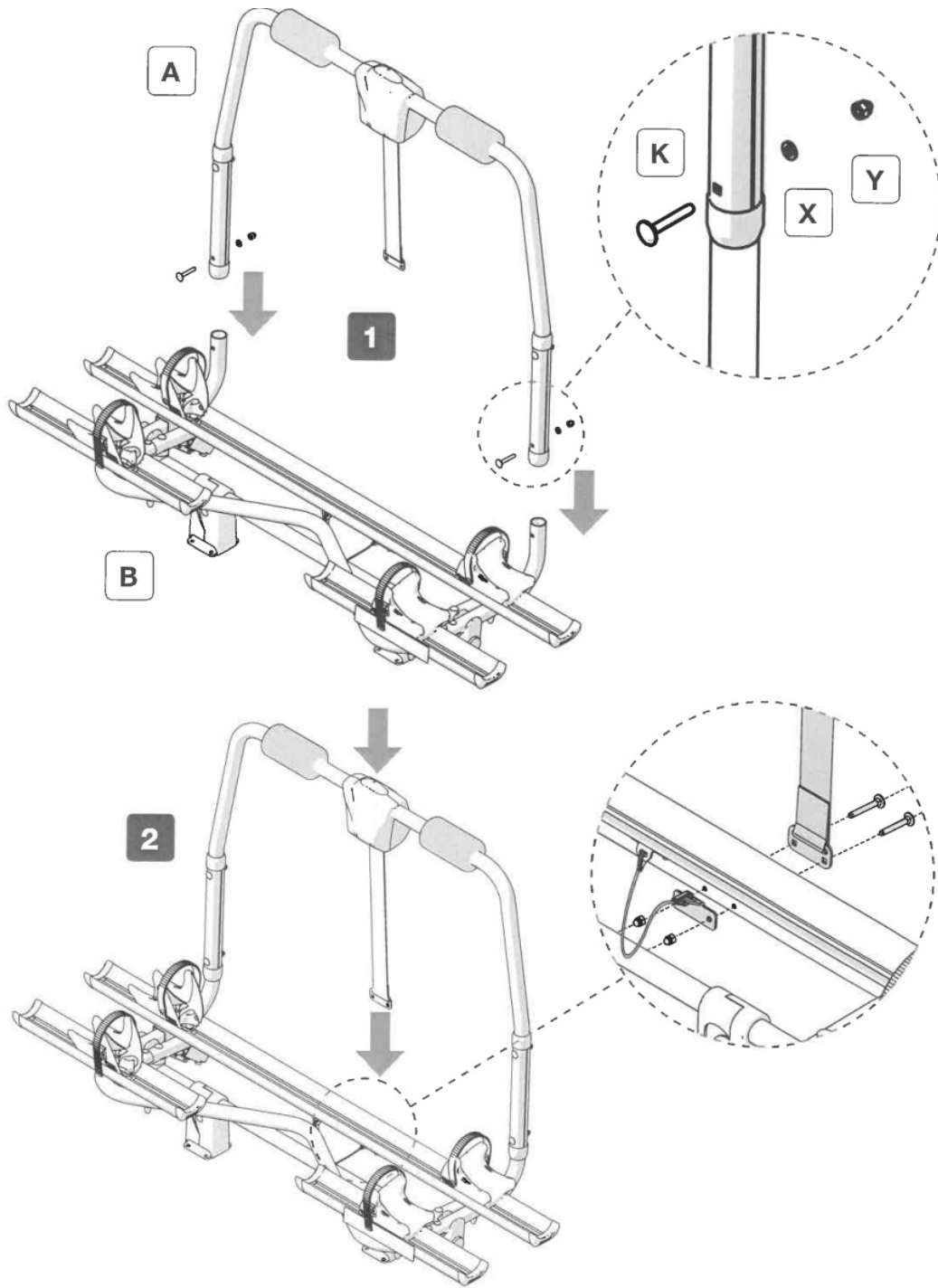
Carry-Bike





Package contents

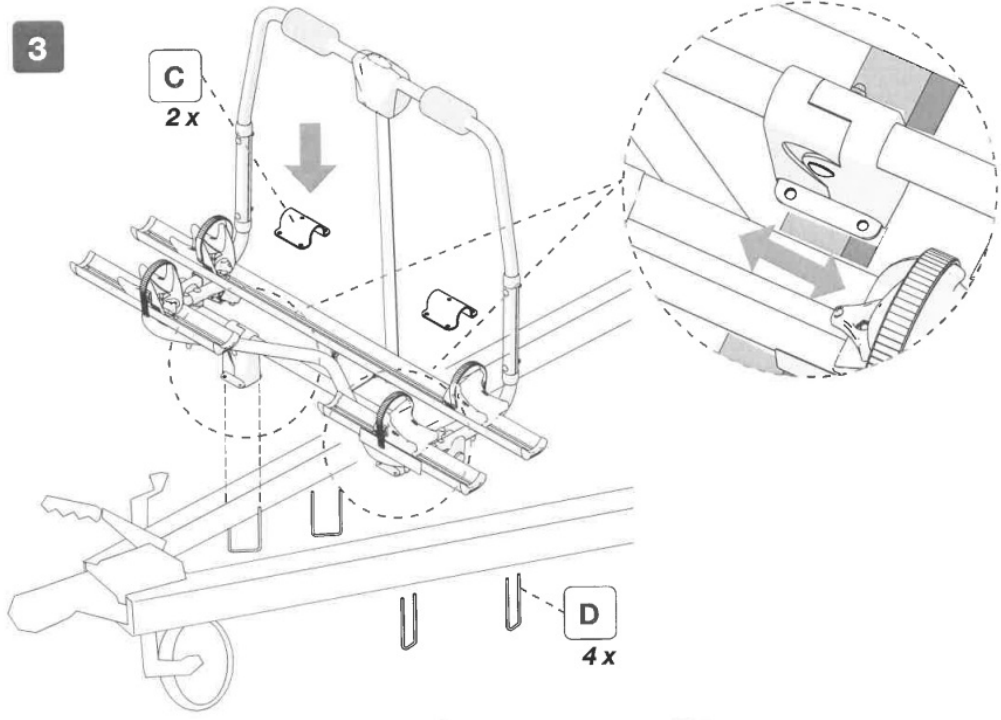
Check that nothing has been damaged or deformed during transport. In case of damage please contact the dealer. We recommend that the installation is carried out by qualified personnel and in compliance with current local



regulations.

3

C
2x

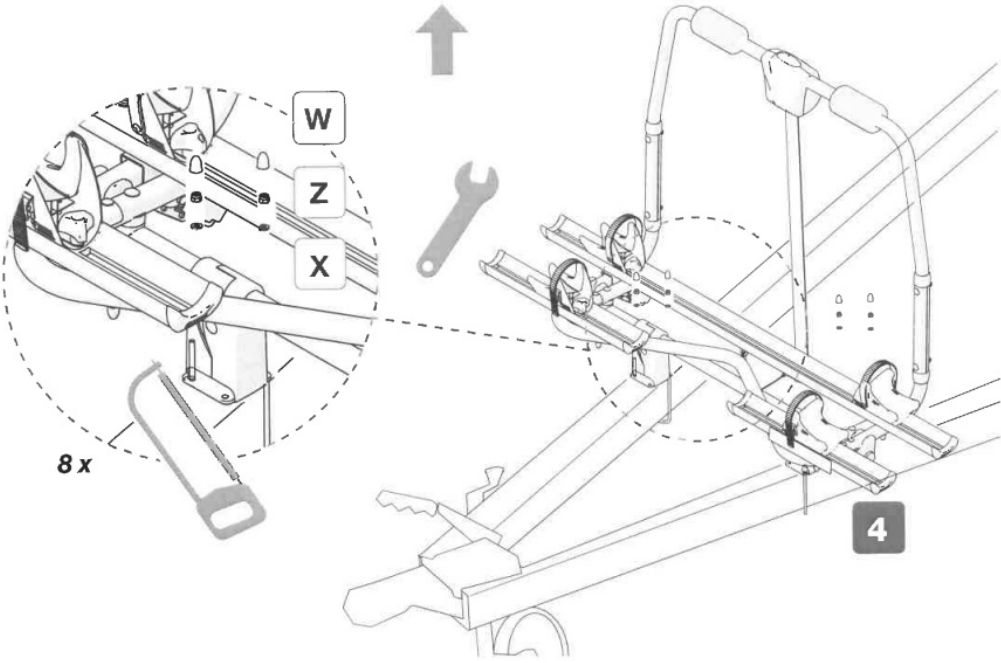


D
4x

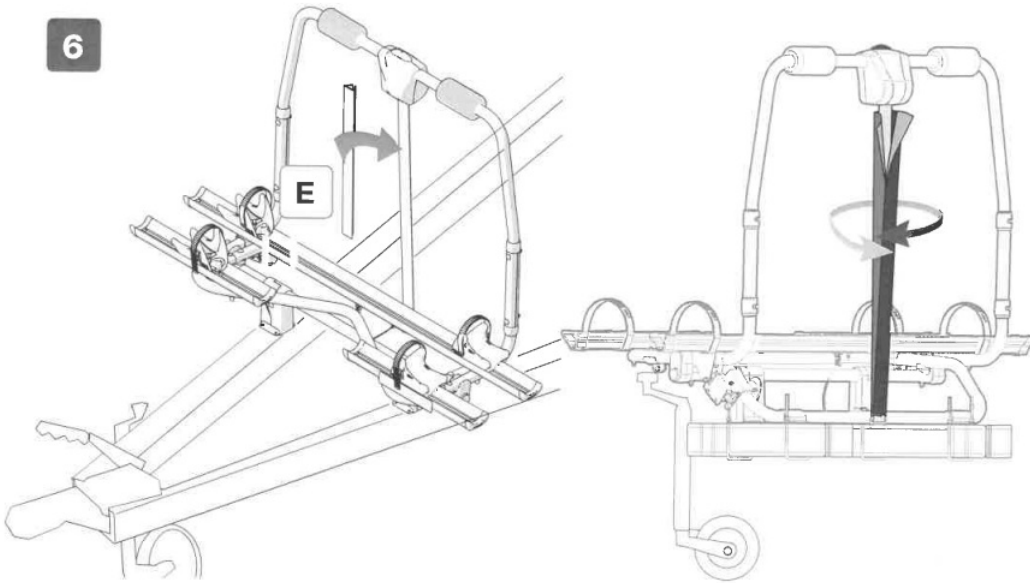
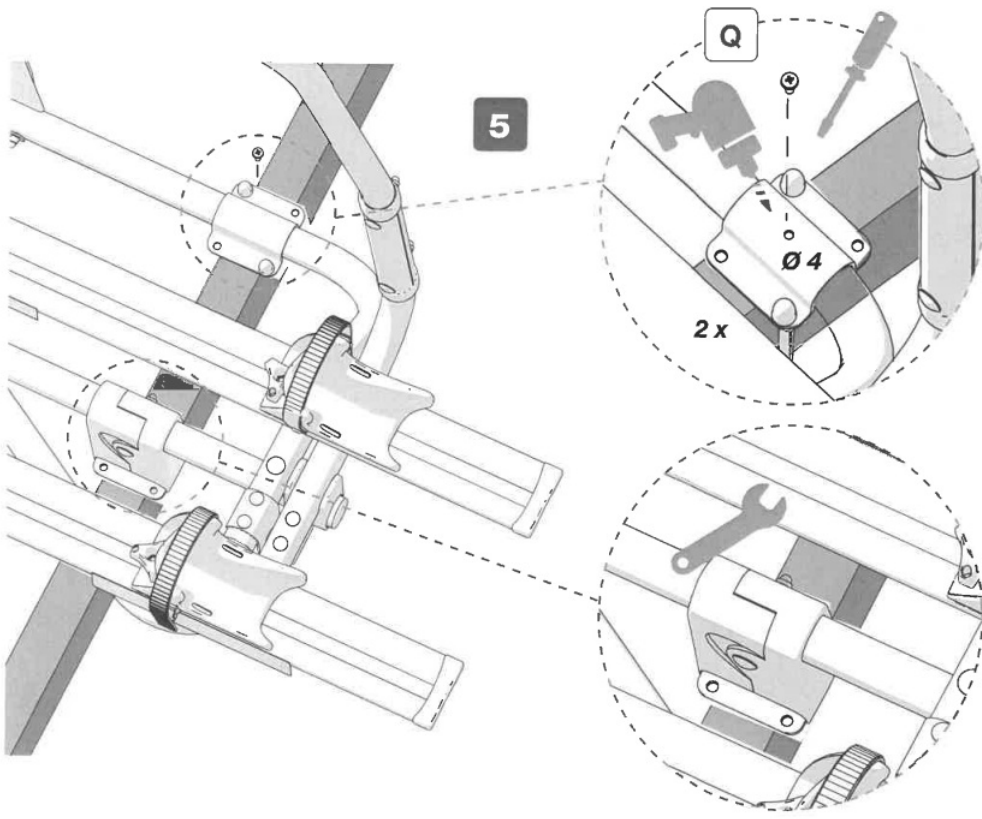


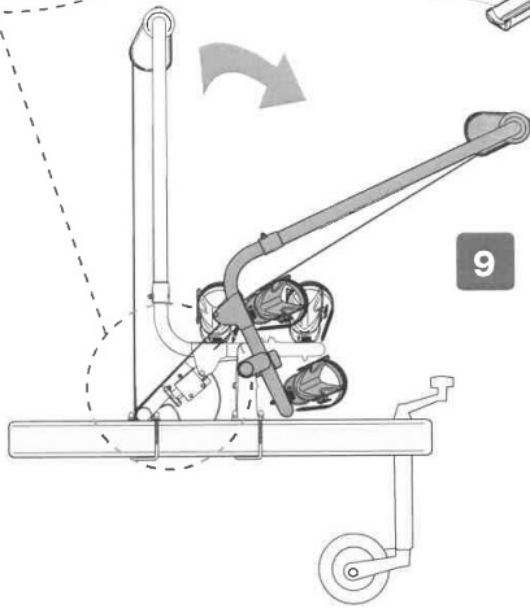
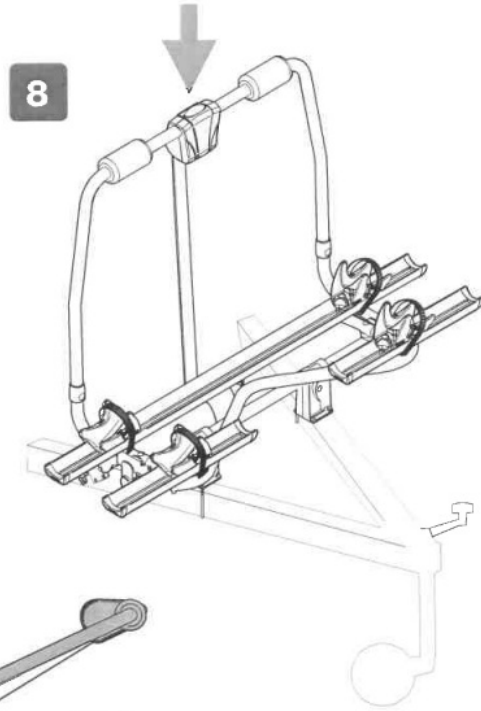
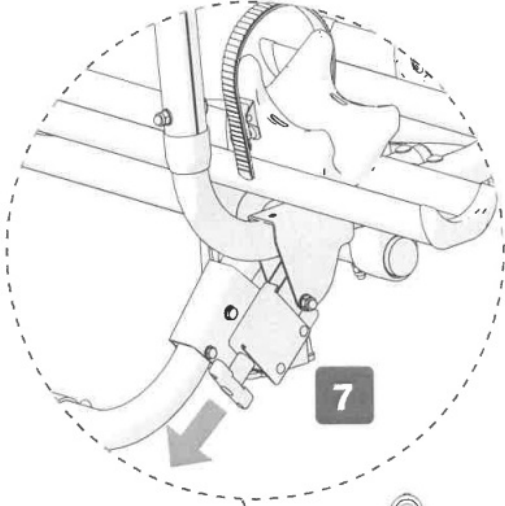
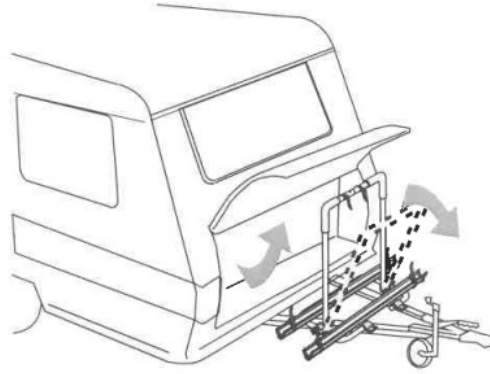
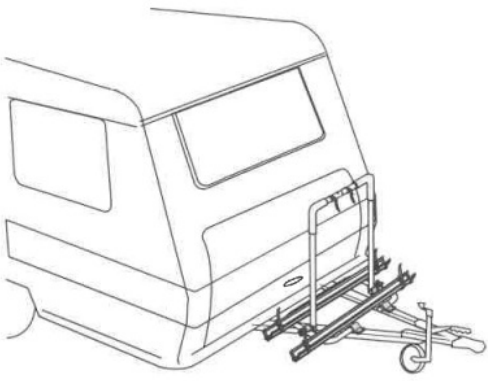
W
Z
X

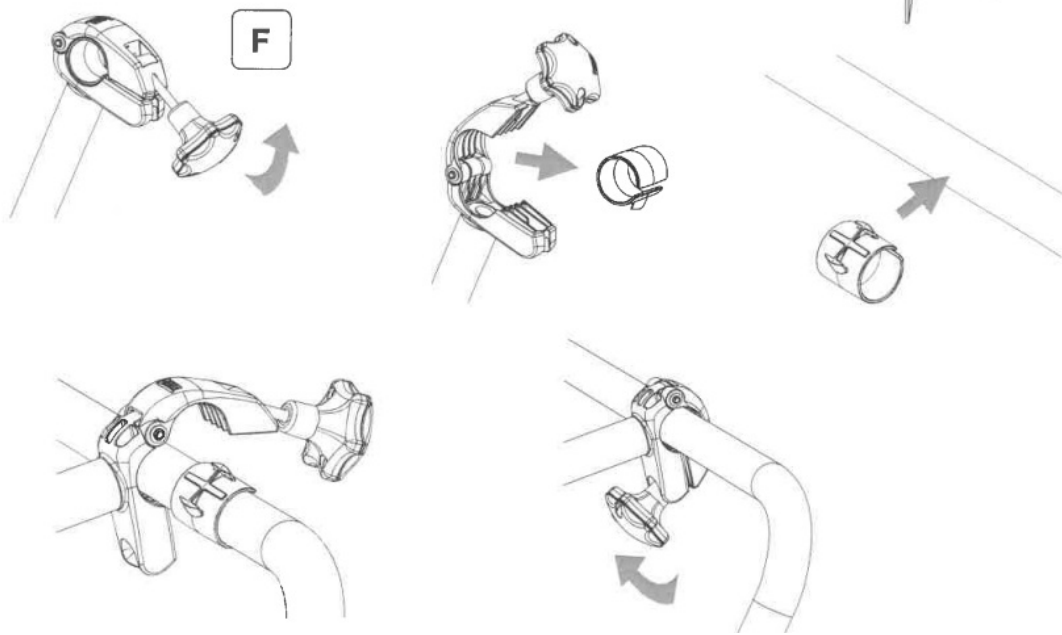
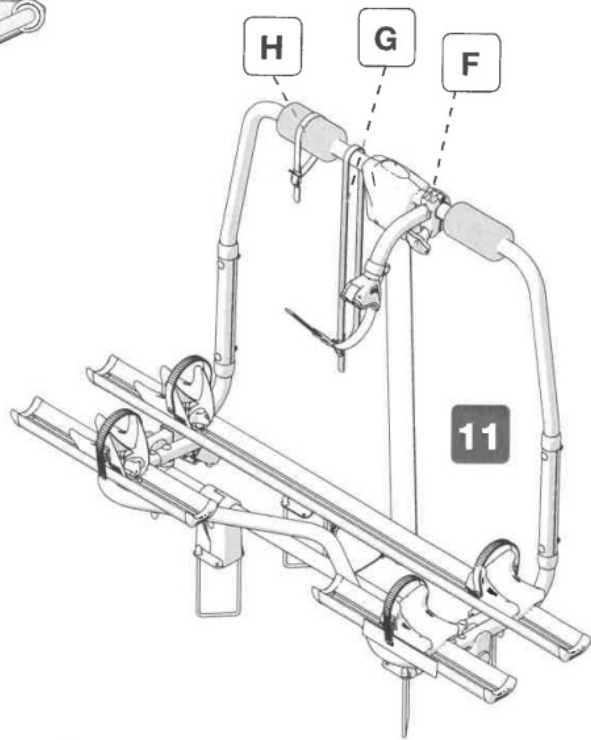
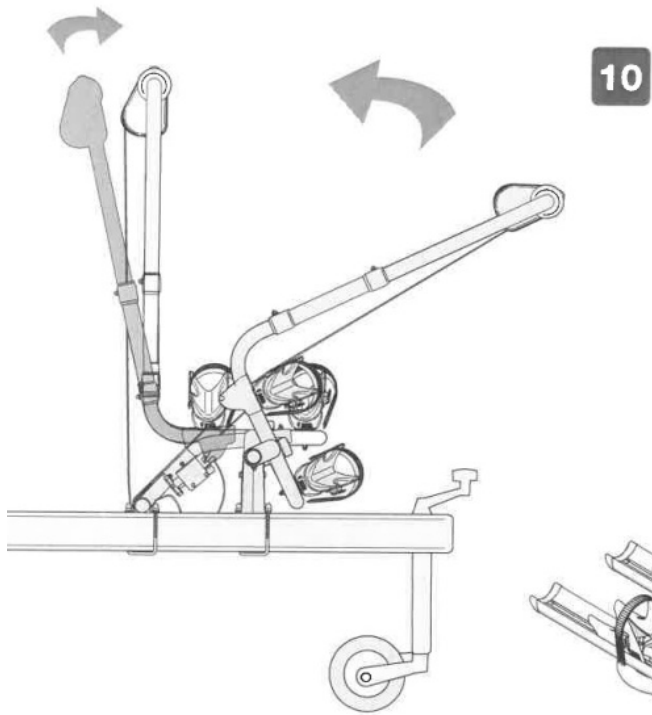
8x

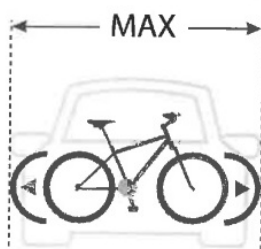
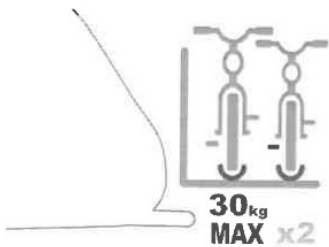
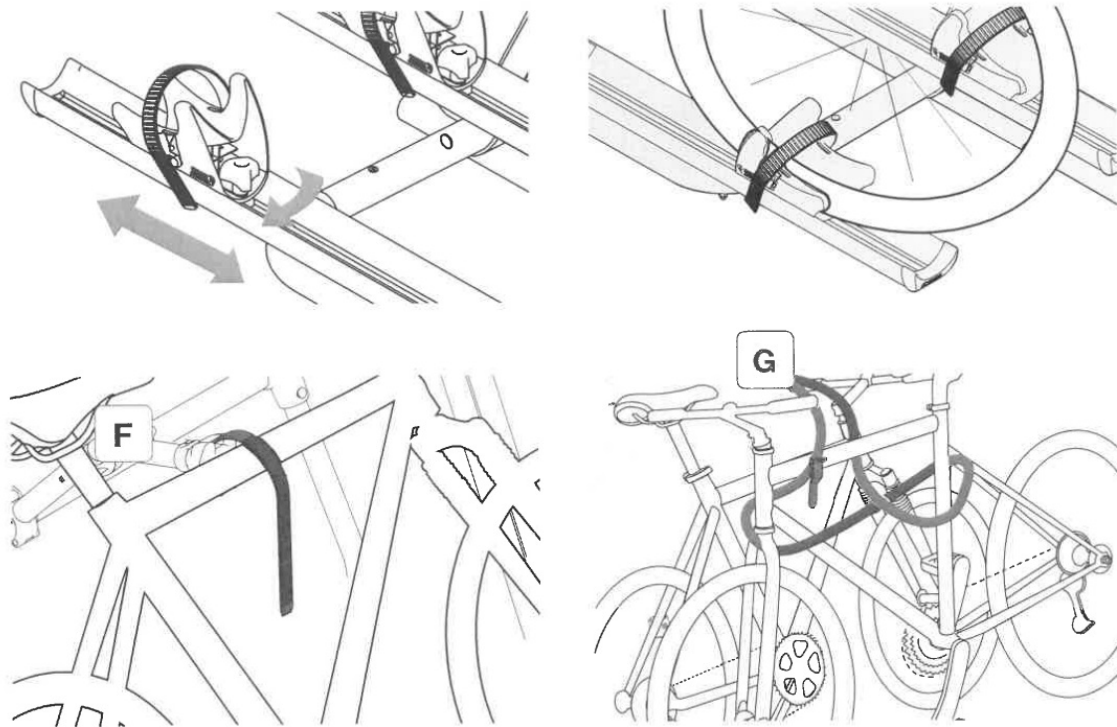


4

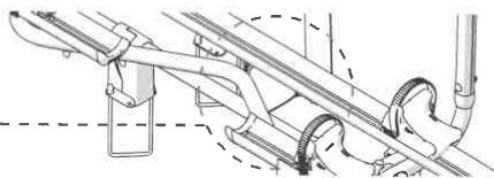








FP: 999999 M00
Carry-Bike®
 S/N: N 200001 ←



In case of problems please contact your local dealer indicating the data on the nameplate. Consult our



website for spare parts drawing.

<https://www.fiamma.it/en/spare-parts-carry-bike/bike-carriers-for-caravans-1134443429/carry-bike-caravan-active-e-bike-en>

Fiamma declines all liability for any personal injury or damage due to mounting or inability to use the product. It is suggested to keep the bike carrier instructions inside the vehicle.

Product installation is to proceed according to the mounting instructions; the product may not be modified or altered in any way.

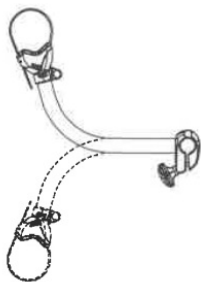
Take into account the presence of the Carry-Bike, paying attention during driving and especially during reversing maneuvers, particularly if you have a parking assist system. In case of use of the bike came with a tow make sure that the tow hook is always accessible and the corner mobility of the tow is guaranteed (volume measuring din 74058).

Check periodically the bicycle rack to make sure it is firmly attached, especially during the first kilometers of after long trips to avoid damages to the Carry-Bike/vehicle.

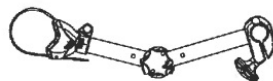
Make sure the belts are not loose and that the holding brackets have not been salted.

Replace worn components immediately. It is advisable to remove the batteries from bicycles, before loading them on the carry-bike while traveling.

BIKE-BLOCK PRO S



BIKE-BLOCK PRO S D



CABLE-LOCK

Item No. 98656-338



BIKE FRAME ADAPTER

Item No. 06602-01-



Warranty Fiamma In case of defects with regards to materials and manufacturing, the customer is entitled to the warranty in accordance with local laws and regulations of the country in which the product was purchased.

All rights reserved. Fiamma S.p.A.

reserves the right to modify at any time, without notice, prices, materials, specifications, and models or to cease production of any model.



[fiamma.com](https://www.fiamma.com)

Fiamma S.p.A. – Italy
Via San Rocco, 56 21010
Cardano al Campo (VA)

Documents / Resources



[FIAMMA 02094-06A Carry-Bike Caravan Active E-Bike](#) [pdf] Instruction Manual
02094-06A, Carry-Bike Caravan Active E-Bike, 02094-06A Carry-Bike Caravan Active E-Bike

Related Manuals / Resources



[E-BIKE NR9 Rear Bike Light Instruction Manual](#)

VENA EBIKE instruction manual

[Thule Caravan Superb Bike Rack Standard Instructions](#)

> Instructions Thule Caravan Smart 307129 THULE.COM SP914-08 | 501-7898-08 ...



[spanninga PLATEO E-Bike Instruction Manual](#)

spanninga PLATEO E-Bike INSTRUCTION



[CROSSCALL X-BIKE User Guide](#)

User Guide X-LINK™* magnetic mount Double ball joint for optimal orientation Notched strap to be attached to the...

[Manuals+](#),

- [home](#)
- [privacy](#)