

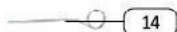
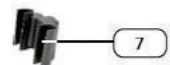
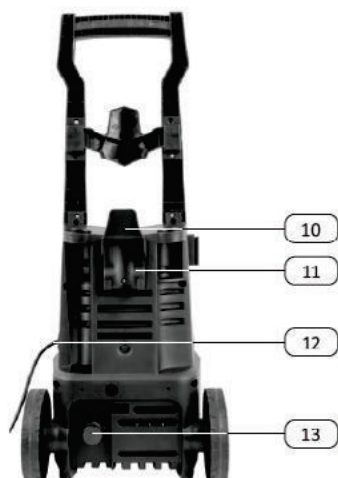


FDW 201650-E

---

English .....	5-26
Čeština.....	27-48
Slovenčina .....	49-70
Magyarul .....	71-90
Polski .....	91-110

1





# High-pressure cleaner

## USER'S MANUAL

**Thank you for purchasing this high pressure cleaner. Before using the product please carefully read this user's guide and keep it for future use**

### TABLE OF CONTENTS

1. IMPORTANT SAFETY TIPS .....	6
2. IMPORTANT SAFETY PRECAUTIONS .....	6
3. GENERAL SAFETY PRECAUTIONS .....	7
4. SYMBOLS.....	8
5. SERVICING OF A DOUBLE-INSULATED APPLIANCE .....	10
6. USE OF EXTENSION CORDS .....	10
7. PROPER USE OF THE PRESSURE CLEANER.....	11
8. MACHINE DESCRIPTION.....	12
9. ASSEMBLY INSTRUCTIONS.....	13
9. OPERATING INSTRUCTIONS .....	19
10. CLEAN-UP AND STORAGE .....	21
11. MAINTENANCE .....	22
12. TECHNICAL SPECIFICATIONS.....	23
13. DISPOSAL.....	24

# 1. IMPORTANT SAFETY TIPS

- Never** point the high-pressure nozzle at people or animals.
- Never** drink alcohol or use drugs while operating the pressure cleaner.
- Never** operate the pressure cleaner while standing in water.
- Never** touch the electrical plug with wet hands.
- Never** let electrical connections rest in water.
- Never** operate pressure cleaner without the water turned on.
- Never** use hot water with this pressure cleaner.

# 2. IMPORTANT SAFETY PRECAUTIONS

**⚠ WARNING!** When using this product, basic precautions should always be followed, including the following:

1. Read all instructions before using the product. Save all safety instructions.
2. Do not operate the pressure cleaner when fatigued or under the influence of alcohol or drugs.
3. Risk of injection or injury – do not direct the high pressure water stream at any people or animals.
4. Do not allow children to operate the pressure cleaner at any time.
5. To reduce the risk of injury, close supervision is necessary when the pressure cleaner is used near children.
6. Know how to stop the unit and reduce pressure immediately. Be completely familiar with the controls.
7. Stay alert – always be aware of where you are directing the high pressure spray
8. Keep cleaning area clear of all people.
9. Keep good footing and balance at all times – do not overreach or stand on an unstable support.
10. The work area should have adequate drainage to reduce the possibility of a fall due to slippery surfaces.
11. Follow the maintenance instructions specified in the manual.
12. To reduce the risk of electrocution, keep all connections dry and off the ground. Do not touch plug with wet hands.

### 3. GENERAL SAFETY PRECAUTIONS

1. Intended for outdoor household use only.
2. High-pressure hose can develop leaks from wear, abuse, kinking etc. Do not use a damaged hose.
3. Do not use the pressure cleaner in areas near combustible materials, combustible fumes, or dust.
4. Some chemicals or detergents may be harmful if inhaled or ingested causing severe injury. Use a respirator or mask whenever there is a chance that vapors may be inhaled. Read all instructions included with the mask so you are certain the mask will provide the necessary protection against inhaling harmful vapors.
5. Before starting the pressure cleaner in cold weather, check all of the parts of the equipment and be sure that ice has not formed. Do not store the unit anywhere that the temperature will fall below 0 °C (32 °F).
6. **DO NOT MAKE ANY MODIFICATIONS TO ANY OF THE COMPONENTS!** Units with broken or missing parts, or without the protective housing or covers should **NEVER** be operated
7. Keep the high-pressure hose connected to the pressure cleaner and the spray gun while the system is pressurized. Disconnecting the hose while the unit is pressurized is dangerous, and may cause injury.
8. Do not leave the pressure cleaner unattended while the power switch is ON.
9. Keep water spray away from electrical wiring or fatal electric shock may result.

## 4. SYMBOLS

Labels on your tools and in the manual may display symbols. They provide important information about the product or instructions for its use.



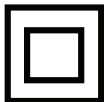
**Warning! Never point the gun at people, animals, body parts, power sources or any electrical appliances.**



The appliance is not intended for connection to a drinking water supply.



Please read the instructions



Protection Class II.



This product has been designed in compliance with approved standards.



Electrical appliances are not to be thrown in the household waste.





Please use ear protection.




Always wear safety glasses with side shields and, if necessary, a full face shield when using this product.



Acoustic power level.

## 5. SERVICING OF A DOUBLE-INSULATED APPLIANCE

In a double-insulated product, two systems of insulation are provided instead of grounding. No means of grounding is provided on a double-insulated product, nor should a means for grounding be added to the product. Servicing a double-insulated product requires extreme care and knowledge of the system, and should be done only by qualified service personnel. Replacement parts for a double-insulated product must be identical to the parts they replace. A double-insulated product is marked with the words "DOUBLE INSULATION" or "DOUBLE INSULATED".

This symbol  may also be marked on the product.

## 6. USE OF EXTENSION CORDS

Use of an extension cord with this product is NOT RECOMMENDED. If you must use an extension cord, use only extension cords that are intended for outdoor use. These cords are identified by a marking "ACCEPTABLE FOR USE WITH OUTDOOR APPLIANCES, STORE INDOORS WHILE NOT IN USE." Use only extension cords having an electrical rating not less than the rating of the product. Examine extension cord before use. DO NOT USE DAMAGED EXTENSION CORDS! Do not pull on cord to disconnect from receptacle, always disconnect by pulling on plug. Keep cord away from heat and sharp edges. Always disconnect the extension cord from the receptacle before disconnecting the product from the extension cord.

**⚠ WARNING!** To reduce the risk of electrocution, keep all connections dry and off the ground. Do not touch the plug with wet hands.

- ✿ Do not use the appliance if a supply cord or important parts of the appliance are damaged, e.g. safety devices, high pressure hoses, trigger gun.
- ✿ If an extension cord is used, the plug and socket must be of watertight construction.

**⚠ WARNING!** Inadequate extension cords can be dangerous.

- ✿ Remove the plug from the socket-outlet during cleaning or maintenance and when replacing parts or converting the machine to another function.

## 7. PROPER USE OF THE PRESSURE CLEANER

**THIS UNIT IS INTENDED FOR USE WITH COLD WATER ONLY!  
DO NOT USE HOT WATER IN THIS PRESSURE CLEANER.**

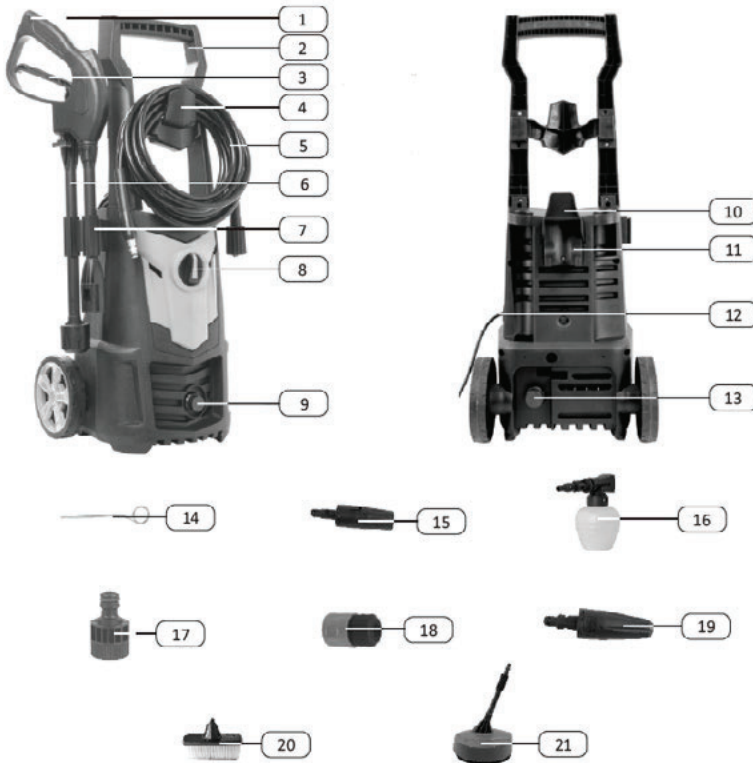
1. Operate the pressure cleaner at no more than the fluid pressure rated for the pressure cleaner. Never run the pressure cleaner without a water supply. Running the unit without a water supply will cause irreparable damage to the unit.
2. Make sure that the water supply you use for the pressure cleaner is not dirty, sandy, and does not hold any corrosive chemical products. Using a dirty water supply will compromise the long life of the pressure cleaner.
3. **⚠ CAUTION** - The pressure cleaner can be used for a variety of applications including washing cars, boats, patios, decks, garages etc. where high pressure is necessary to remove dirt and debris.  
**High-pressure water flow can damage the work surface if not used properly!** See the section titled "Operating Instructions" for more details. Always test the spray in an open area first.
4. NEVER move the unit by pulling on the high pressure hose. Use the handle provided on the top of the unit.
5. Always hold the high pressure gun and wand with two hands. Keep one hand on the gun/trigger, while supporting the wand with the other hand (see diagram).
6. When dispensing detergent, the pressure cleaner applies detergent to the cleaning area at low pressure only. Once the detergent has been applied, spray the detergent off of the work area by using the adjustable nozzle.

## 8. MACHINE DESCRIPTION

### Unpacking the box

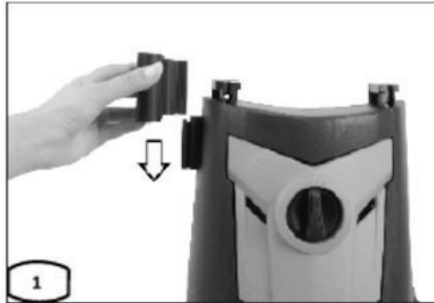
After opening the box, please remove all parts and check them against the following list of supplied components:

- |                              |                                 |
|------------------------------|---------------------------------|
| 1. Water gun                 | 12. Mains cord - 5m             |
| 2. Handle                    | 13. Terminal input thread No.17 |
| 3. Gun trigger               | 14. Cleaning needle             |
| 4. Hose holder               | 15. Variable jet                |
| 5. High-pressure hose - 5m   | 16. Shampoo container           |
| 6. Jet extension             | 17. Inlet filter terminal       |
| 7. Water gun holder          | 18. ½" hose quick coupling      |
| 8. Power on/off switch       | 19. Turbo jet                   |
| 9. Output thread             | 20. Car brush                   |
| 11. Shampoo container holder | 21. Surface cleaner             |



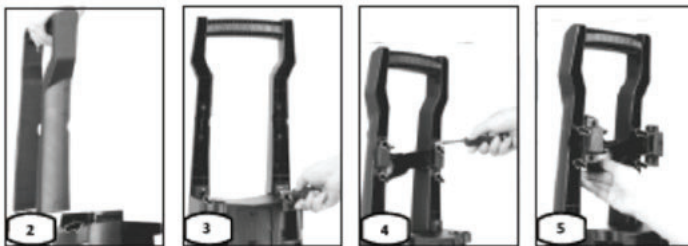
## 9. ASSEMBLY INSTRUCTIONS

### 1. Attaching the gun holder (No. 7) and accessories (fig. 1 below)



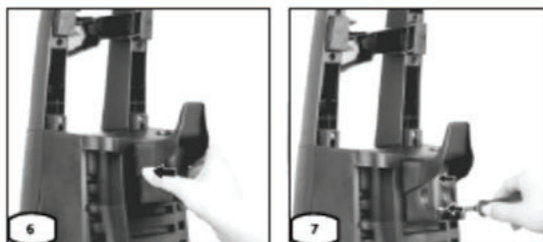
### 2. Attaching the handle and hook to the hose

1. Attach the handle onto the machine body (fig.2) and fasten it with 2 screws (fig.3).
2. Mount the hook on the hose and fasten it with screws (fig.4, 5).




### 3. Attaching the cable holder and shampoo container

1. Place the hook on the body while standing and fasten it with screws (fig.6, 7)



### 4. Installing the inlet filter terminal

1. First remove the protective cover from the inlet thread (fig.8).
2. Then screw the end with the filter onto the thread (fig.9, 10).

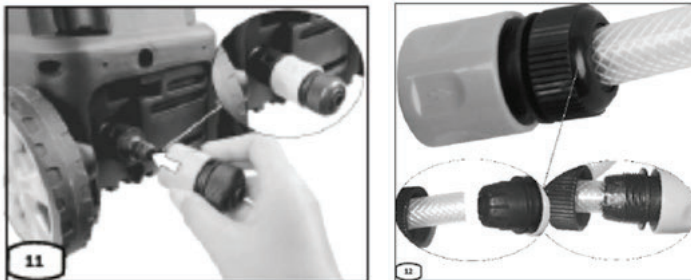
 **Note:** The inlet filter must always be installed in the water supply line to filter out sand, limestone and other contaminants as they would damage the pump valves.

 **ATTENTION!** Failure to install the filter voids the warranty.



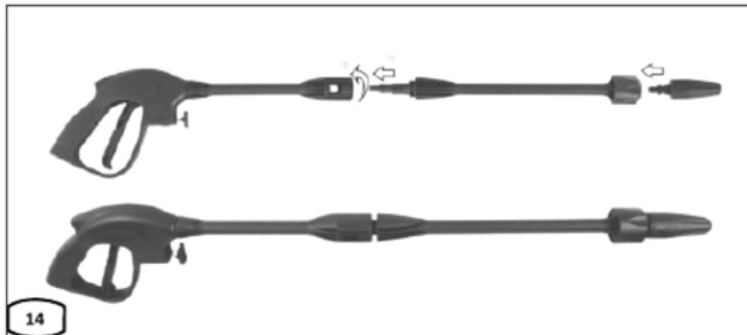
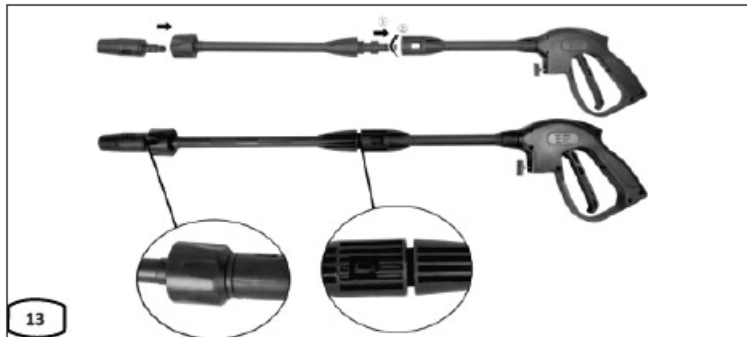
### 5. Connecting 1/2" diam. hose and quick coupling

1. Connect the 1/2" garden hose to the standard quick coupling as shown in fig.12 (quick coupling is included in package - No.18).
2. Then insert the quick coupling (No.18) onto the input terminal (No.17) until a click is heard, which means that the installation was successful. If not, water may leak at this point.



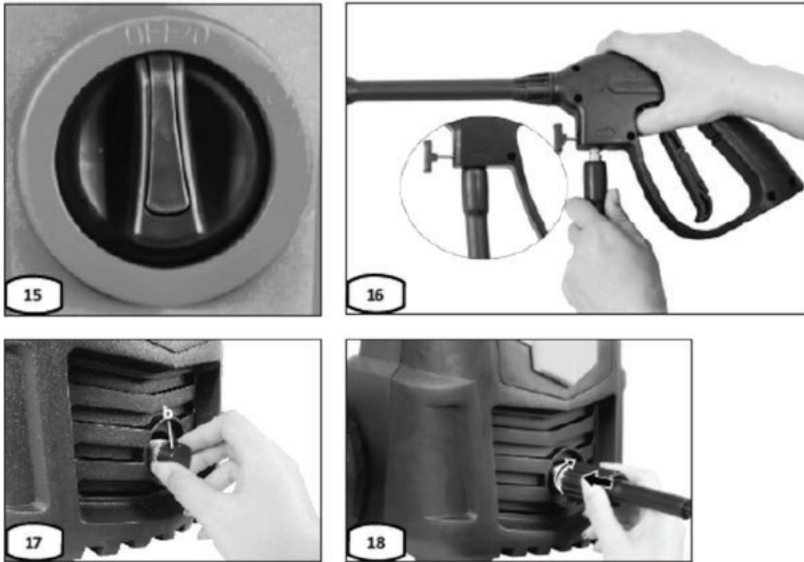
## 6. Water gun assembly

1. Insert the jet attachment (No.6) into the water gun (No.1).
2. After inserting, turn it by 90° until the locking end of the jet appears (fig.13, 14)
3. Then insert the required jet into the attachment (No.7). (fig.13, 14)



### 7. High-pressure hose assembly


1. Make sure the ON/OFF switch is in the OFF position (fig.15).
2. Attach the hose to the gun as shown in figure 16.
3. Remove the protective cover from the inlet thread (No.9), (fig.17).
4. Connect the high-pressure hose to the outlet thread as shown in figure 18




### 8. Connecting the shampoo container

1. Insert the shampoo container (No.16) into the jet attachment (No.6) as shown in fig.19.
2. After inserting, turn it by 90° until the locking end of the jet appears.




 **Note:** The detergent should be diluted with water to achieve the best possible effect.

 **WARNING!** NEVER USE PRODUCTS WITH BLEACHES, CHLORINE OR ANY OTHER CORROSIVE MATERIALS, INCLUDING SOLVENT-CONTAINING LIQUIDS (I.E. GASES, OILS, ETC.), PRODUCTS WITH SODIUM PHOSPHATE, AMMONIA OR ACID-BASED CLEANERS. THESE CHEMICALS WOULD DAMAGE THE APPLIANCE AND WILL ALSO CAUSE DAMAGE TO THE CLEANED SURFACE. ALWAYS READ THE LABEL INFORMATION.

### 9. Surface cleaner assembly (No.21)

1. Proceed according to the fig.20 below.
2. Insert the U-pin and fasten the extension.

 **Note:** Make sure that the bottom of the cleaner is properly attached to the extension with the U-pin.



### 10. Car brush attachment (No.20)

1. Insert the jet attachment (No.6) into the water gun (No.1).
2. After inserting, turn it by 90° until the locking end of the jet appears (fig.21)
3. Then insert the car brush (No.20) into the attachment (No.7). (fig.21)



## 9. OPERATING INSTRUCTIONS

**THIS APPLIANCE IS INTENDED FOR USE WITH COLD WATER ONLY!  
DO NOT USE HOT WATER IN THIS HIGH-PRESSURE CLEANER!**

### Starting

After connecting the high-pressure cleaner to the cold water supply, proceed as follows:

- ✿ Make sure the ON/OFF switch is in the OFF position.
- ✿ Assemble the machine according to steps 1 through 4 in Chapter 8, Assembly instructions
- ✿ Connect the hose to the inlet fitting according to assembly step No. 5.
- ✿ Assemble the gun according to step No.6 and insert the required jet (variable or turbo) or accessories from step No.8, 9, 10 into the gun.
- ✿ Connect the high-pressure hose according to assembly step No.7.
- ✿ Fully open the water inlet valve.
- ✿ Before turning on the instrument, press the trigger of the gun to remove any remaining air from the pump and hose.
- ✿ To start the high-pressure cleaner, set the ON/OFF switch to the ON position and press the trigger.  
**REMINDER:** The engine does not run continuously unless the trigger is depressed.

### **WARNING!**

**RISK OF INJECTION!** Unit will start spraying when trigger is squeezed. When turning the unit off after use, high pressure still exists inside the hose and unit. Point the gun in a safe direction and discharge the excess pressure. NEVER direct the high pressure water stream at people or animals.

### Automatic On/Off

The pressure cleaner is equipped with an automatic on/off switch. The pressure cleaner will only run when the power switch is in the ON position and the trigger on the gun is squeezed. When you release the trigger to stop spraying water through the gun, the motor on the pressure cleaner will automatically shut off. Simply squeeze the trigger again to resume using the cleaner. To stop using the pressure cleaner, release the trigger and switch the unit to the OFF position. The unit should be turned completely OFF while not in use or while unattended.

### Bleeding the Gun

It is very important to bleed the gun before using the pressure cleaner. Refer to the "Assembly Instructions" to assemble the pressure cleaner. To bleed the gun, simply connect the garden hose to the pressure cleaner and squeeze the trigger BEFORE turning the electrical supply on. This allows any air trapped inside the pressure cleaner and gun to be removed before using the unit. Continue holding trigger for approximately one minute to allow any excess air out of the unit. Water will flow through the gun at low pressure during this procedure. For more bleeding tips, see the section titled "Operating Instructions."

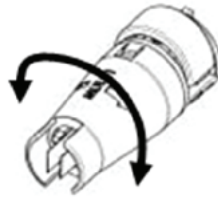
### Gun Safety Lock

This pressure cleaner is equipped with a gun trigger safety lock. When not using the pressure cleaner, use the safety lock to keep from accidentally engaging the high pressure spray.



### Adjustable Spray Nozzle

The adjustable nozzle will allow you to use any variety of spray patterns from a full fan spray to a direct stream spray. When using the pressure washer to clean wood decks, siding, vehicles etc., always start using the fan spray and begin spraying from a minimum 36" away to avoid damaging the surface of the material you are cleaning. Always begin by spraying in a testing area free and clear of people and objects.



**⚠ Warning!** Do not do this under operation to avoid that the hand hits the jet

**⚠ Warning!** High pressure jets can be dangerous if subject to misuse. The jet must not be directed at persons, live electrical equipment or the appliance itself.

✿ Do not direct the jet against yourself or others in order to clean clothes or foot-wear.

## 10. CLEAN-UP AND STORAGE

### Shutting Down the Pressure Cleaner

**WHEN FINISHED USING THE PRESSURE CLEANER,  
FOLLOW THESE STEPS TO SHUT DOWN THE UNIT:**

- ✿ Turn the pressure cleaner to the OFF position.
- ✿ Turn off the water supply.
- ✿ Before disconnecting high-pressure hose connection, point the gun in a safe direction and discharge the high-pressure water.
- ✿ Disconnect high-pressure hose from the pressure cleaner and gun.
- ✿ Disconnect garden hose from the pressure cleaner.
- ✿ Remove quick coupler fitting from garden hose and attach to the nipple portion of the fitting installed on the pressure cleaner for storage.
- ✿ Remove excess water from the pump by tipping the unit on both sides to drain any remaining water from inlet and outlet fittings.
- ✿ Remove Water Intake Filter and flush with water to remove dirt or debris. Return filter once cleaned.
- ✿ Drain detergent reservoir and flush with running water.
- ✿ Wipe away any remaining water on all parts and fittings.
- ✿ Engage the gun safety lock.
- ✿ Store the pressure cleaner, parts, and accessories in an area with a temperature above 0 °C (32 °F).

### Winterizing and Long-Term Storage

**FOLLOW ALL OF THE ABOVE SHUT-DOWN PROCEDURES,  
ADDING THE FOLLOWING STEPS....**

- ✿ After disconnecting the water supply, and before disconnecting the high-pressure hose, turn the pressure cleaner on for **2-3 seconds**, until any remaining water in the pump exits.

**TURN UNIT OFF IMMEDIATELY.  
CONTINUED USE OF THE PRESSURE CLEANER WITHOUT WATER SUPPLY ATTACHED WILL  
CAUSE SEVERE DAMAGE TO THE UNIT!**

- ✿ Always store the pressure cleaner, parts, and accessories in an area with a temperature above 0 °C (32 °F).

**⚠ WARNING!**

FAILURE TO COMPLY WITH THESE STORAGE INSTRUCTIONS WILL RESULT IN DAMAGE TO THE PUMP ASSEMBLY.

# 11. MAINTENANCE

- ✿ This pressure cleaner is supplied with a closed lubrication system, so no addition of oil is needed.
- ✿ Check all hoses and accessories for damage prior to use.
- ✿ Check the inlet filter periodically for deposits. Clean this filter regularly for maximum performance.


## CLEANING TIPS

### WARNING!

ALWAYS TEST THE SPRAY IN AN AREA FREE AND CLEAR OF PEOPLE AND OBJECTS BEFORE YOU SPRAY AT THE INTENDED CLEANING SURFACE.

### Wood and Vinyl Decks

Rinse deck and surrounding area with fresh water. If using detergent, fill the detergent reservoir and apply to the area being cleaned at low pressure. For optimal results, reduce your work area to smaller sections and clean each section one at a time. Allow the detergent to rest on the surface for a few minutes and then rinse at high pressure. **DO NOT LET THE CLEANSER DRY.** Always clean from left to right and top to bottom for best results. Rinse at high pressure **using the fan spray** keeping the tip of the spray nozzle at least 6-9 inches from the cleaning surface. Maintain a further distance from the cleaning area when using a direct spray.

 **CAUTION!** For softer woods, increase the distance from the cleaning area.

### Cement Patios, Stone, and Brick

Rinse cleaning and surrounding area with fresh water. If using detergent, fill the detergent reservoir and apply to the area being cleaned at low pressure. Rinse at high pressure **using the fan spray** in a sweeping motion keeping the tip of the spray nozzle at least 3-6 inches from the cleaning surface. Maintain a further distance from the cleaning area when using a direct spray.

### Cars, Boats, and Motorcycles

Rinse cleaning and surrounding area with fresh water. If using detergent, fill the detergent reservoir and apply to the area being cleaned at low pressure. To achieve the best results, clean one side at a time. Allow the detergent to rest on the surface for a few minutes, but do not let the detergent dry. Rinse at high pressure **using the fan spray** in a sweeping motion keeping the tip of the spray nozzle at least 8 inches from the cleaning surface. Maintain a further distance from the cleaning area when using a direct spray. Wipe surface dry for a polished finish.

### Barbecue Grills, Power Equipment, and Garden Tools

Rinse cleaning and surrounding area with fresh water. If using detergent, fill the detergent reservoir and apply to the area being cleaned at low pressure. Allow the detergent to rest on the surface for a few minutes, but do not let the detergent dry. Rinse at high pressure **using the fan spray** keeping the tip of the spray nozzle at least 1-3 inches from the cleaning surface. Maintain a further distance from the cleaning area when using a direct spray.

## 12. TECHNICAL SPECIFICATIONS

Rated voltage	230 – 240 V
Rated frequency	50Hz
Rated power input	1650W
Rated pressure	90bar (9MPa)
Maximum pressure	135bar (13.5Mpa)
Rated flow	5l/min
Maximum flow rate	7l/min
Max. water inlet temperature	40°C
Protection class	II.
Weight	8.5kg
Maximum water input pressure in pascals	1.2Mpa
Acoustic power level (K = 3dB (A)); L <sub>pA</sub>	93dB

### WARRANTY

See the enclosed warranty conditions for warranty conditions.

### ENVIRONMENT

If your appliance must be replaced after a prolonged period of being unused, do not throw it into the household waste, but dispose of it in an environmentally friendly way.

## 13. DISPOSAL



The machine, rechargeable batteries, accessories and packaging should be sorted for environmental friendly recycling.

Do not dispose of power tools and batteries/rechargeable batteries into household waste!

### Only for EC countries:



According to the European Guideline 2012/19/EU, power tools that are no longer usable, and according to the European Guideline 2006/66/EC, defective or used battery packs/batteries, must be collected separately and disposed of in an environmentally correct manner.

#### **INSTRUCTIONS AND INFORMATION ON DISPOSAL OF USED PACKAGING.**

Put any used package material to the place determined by the municipality for waste disposal.

#### **DISPOSAL OF USED ELECTRIC AND ELECTRONIC EQUIPMENT**



This symbol on products or accompanying documents means that used electric or electronic products must not be put to ordinary municipal waste. Hand over such products to determined collection points for proper disposal, restoration and recycling. Alternatively, in some countries of the European Union or other European countries you can return your products to your local dealer when you buy an equivalent new product. By dutiful disposal of this product you can preserve precious natural resources and you help prevent any potential adverse effects on the environment and human health which could be the results of wrong waste disposal. Ask your local authority or the nearest collection point for additional details. In case of improper disposal of this waste kind penalties can be imposed in accordance with national regulations.

#### **For companies in the European Union countries**

Should you want to dispose of electric and electronic devices, ask your dealer or vendor for necessary information..

#### **Disposal in other countries outside the European Union**

Should you want to dispose of this product, ask your local authorities or your dealer for necessary information about disposal method.



This product fulfils all basic requirements of the EU directives that apply to it.

Text, design and technical specifications can change without prior notice and we reserve the right for their change.

User manual in the original language.

# 14. DECLARATION OF CONFORMITY



**FAST ČR, a.s.**  
 Černokostelecká 2111, 100 00 Praha 10, Czech Republic  
 tel: +420 323 204 111, fax: +420 323 204 110

## EU DECLARATION OF CONFORMITY

**Product/ brand:** Electric High Pressure Cleaner / **FIELDMANN**

**Type/ model:** **FDW 201650-E** as factory model HRA03P  
 AC 230–240 V, 50 Hz, 1650 W, max. 7 l/min, 13,5Mpa, IPX5, Class II  
 LpA 87 dB(A), LwA 93 dB(A)

**Manufacturer:** FAST ČR, a.s.  
 Černokostelecká 2111, 100 00 Praha 10, Czech Republic  
 VAT no: CZ26726548

**The product is inline with directives and regulations listed below:**

Directive MD 2006/42/EC  
 Directive EMC 2014/30/EU  
 Directive NOISE 2000/49/EC  
 Directive RoHS 2011/65/EU

**and norms:**

EN 60335-1:2012+A11+A13+A1+A14+A2  
 EN 60335-2-79:2012  
 EN 62233:2008  
 EN 55014-1:2017+A11:2020  
 EN 55014-2:2015  
 EN IEC 61000-3-2:2019  
 EN 61000-3-3:2013+A1:2019  
 EN IEC 61000-3-11:2019



**Place of issuance:** Prague

**Name:** Ing. Zdeněk Pech  
 Chairman of the Board

**Date of issuance:** 4. 8. 2021

**Signature:**

**FAST** FAST ČR, a.s.  
 Černokostelecká 2111, 100 00 Praha 10  
 IČO 26726548 tel: +420 323 204 111  
 DIČ CZ26726548 fax: +420 323 204 110



IČO: 26726548, DIČ: CZ26726548

Bankovní spojení: Komerční banka Praha 1, č.ú. 89309011/0100, ČSOB Praha 1, č.ú. 8010-0116233383/0300  
 Česká spořitelna Praha 4, č.ú. 2375682/0800



**FIELDMANN**<sup>®</sup>  
Home & Garden Performance

**Model /Modell /Modelis:** .....

**Záruční list / Záručný list /  
Warranty Certificate / Jótállási jegy /  
Garantijos taisyklės / Karta Gwarancyjna**

Výrobní číslo  
Výrobné číslo  
Serial No.  
Szériaszám  
Serijos Nr.  
Numer seryjny

Razítko a podpis prodejce  
Pečiatka a podpis predajcu  
Dealer's stamp  
A kereskedő bélyegzője  
Pardavėjo antspaudas  
Pieczęćka i podpis sklepu

Datum prodeje  
Dátum predaja  
Date of purchase  
A vásárlás dátuma  
Pardavimo data  
Data zakupu

## Záruční podmínky

Prodávající poskytuje kupujícímu na výrobek záruku v trvání 24 měsíců od převzetí výrobku kupujícím. Záruka se poskytuje za dále uvedených podmínek. Záruka se vztahuje pouze na nové spotřební zboží prodané spotřebiteli pro běžné domácí použití. Práva z odpovědnosti za vady (reklamaci) může kupující uplatnit buď u prodávajícího, u kterého byl výrobek zakoupen nebo v níže uvedeném autorizovaném servisu. Kupující je povinen reklamaci uplatnit bez zbytečného odkladu, aby nedocházelo ke zhoršení vady, nejpozději však do konce záruční doby. Kupující je povinen poskytnout při reklamaci součinnost nutnou pro ověření existence reklamované vady. Do reklamačního řízení se přijímá pouze kompletní a z důvodů dodržení hygienických předpisů neznečištěný výrobek. V případě oprávněné reklamace se záruční doba prodlužuje o dobu od okamžiku uplatnění reklamace do okamžiku převzetí opraveného výrobku kupujícím nebo okamžiku, kdy je kupující po skončení opravy povinen výrobek převzít. Kupující je povinen prokázat své práva reklamovat (doklad o zakoupení výrobku, záruční list, doklad o uvedení výrobku do provozu...).

### Záruka se nevztahuje zejména na:

■ vady, na které byla poskytnuta sleva ■ opotřebení a poškození vzniklé běžným užíváním výrobku ■ poškození výrobku v důsledku neodborné či nesprávné instalace, použití výrobku v rozporu s návodem k použití, platnými právními předpisy a obecně známými a obvyklými způsoby používání, v důsledku použití výrobku k jinému účelu, než ke kterému je určen ■ poškození výrobku v důsledku zanedbané nebo nesprávné údržby ■ poškození výrobku způsobené jeho znečištěním, nehodou a zásahem vyšší moci (živelná událost, požár, vniknutí vody...) ■ vady funkčnosti výrobku způsobené nevhodnou kvalitou signálu, rušivým elektromagnetickým polem apod. ■ mechanické poškození výrobku (např. ulomení knoflíku, pád...) ■ poškození způsobené použitím nevhodných médií, náplní, spotřebního materiálu (baterie) nebo nevhodnými provozními podmínkami (např. vysoké okolní teploty, vysoká vlhkost prostředí, otrasy...) ■ poškození, úpravu nebo jiný zásah do výrobku provedený neoprávněnou nebo neautorizovanou osobou (servisem) ■ případy, kdy kupující při reklamaci neprokáže oprávněnost svých práv (kdy a kde reklamovaný výrobek zakoupil) ■ případy, kdy se údaje v předložených dokladech liší od údajů uvedených na výrobku ■ případy, kdy reklamovaný výrobek nelze ztotožnit s výrobkem uvedeným v dokladech, kterými kupující prokazuje své ■ práva reklamovat (např. poškození výrobního čísla nebo záruční plomba přístroje, prepisované údaje v dokladech...)

## Záručné podmienky

Prodávající poskytuje kupujúcemu na výrobok záruku 24 mesiacov záruku od jeho prevzatia kupujúcim. Záruka sa poskytuje ďalej za nižšie uvedených podmienok. Záruka sa vztahuje iba na spotrebný tovar predaný spotrebiteľovi na bežné domáce použitie. Práva zo zodpovednosti za chyby (reklamácie) môže kupujúci uplatniť buď u predávajúceho, u ktorého bol výrobok zakúpený alebo v nižšie uvedenom autorizovanom servise. Kupujúci je povinný reklamáciu uplatniť bez zbytočného odkladu, aby nedochádzalo ku zhoršeniu chyby, najneskôr však do konca záručnej doby. Kupujúci je povinný pri reklácii spolupracovať pri overení existencie reklamovanej chyby. Do reklamačného procesu sa prijíma iba kompletný a z dôvodu dodržania hygienických predpisov neznečistený výrobok. V prípade oprávnenej reklamácie sa záručná doba predlžuje o dobu od okamžiku uplatnenia reklamácie do okamžiku prevzatia opraveného výrobku kupujúcim, kedy je kupujúci po skončení opravy povinný výrobok prevziať. Kupujúci je povinný preukázať svoje práva reklamovať (doklad o zakúpení výrobku, záruční list, doklad o uvedení výrobku do prevádzky...).

### Záruka sa nevztahuje na:

■ chyby, na ktoré boli poskytnuté zľavy ■ opotrebenia a poškodenia vzniknuté bežným užívaním výrobku ■ poškodenie výrobku v dôsledku neodbornej či nesprávnej inštalácie, použitie výrobku v rozpore s návodom na použitie s platnými právnymi predpismi a všeobecne známymi a obvyklými spôsobmi používania, v dôsledku použitia výrobku za iným účelom, než na ktorý je určený ■ poškodenie výrobku v dôsledku zanedbanej alebo nesprávnej údržby ■ poškodenie výrobku spôsobené jeho znečistením, nehodou a zásahom vyššej moci (živelná udalosť, požiar, vniknutievody...) ■ chyby funkčnosti výrobku spôsobené nevhodnou kvalitou signálu, rušivým elektromagnetickým polom a pod. ■ mechanické poškodenie výrobku (napr. zlomenie gombíka, pád...) ■ poškodenie spôsobené použitím nevhodných médií, náplní, spotrebného materiálu (baterie) alebo nevhodnými prevádzkovými podmienkami (napr. vysoké teploty v okolí, vysoká vlhkosť prostredia, otrasy...) ■ poškodenie, úpravu alebo iný zásah do výrobku spôsobený neoprávnenou alebo neautorizovanou osobou (servisom) prípady, keď kupujúci pri reklácii nepreukáže oprávnenosť svojich práv (kedy a kde reklamovaný výrobok zakúpil) ■ prípady, keď sa údaje v predložených dokladoch líšia od údajov uvedených na výrobku ■ prípady, keď reklamovaný výrobok sa neshoduje s výrobkom uvedeným v dokladoch, ktorými kupujúci preukazuje svoje práva reklamovať (napr. poškodenie výrobného čísla alebo záruční plomby prístroja, prepisované údajov dokladov...)

## Conditions of guarantee

This product is warranted for the period of 24 months from the date of purchase to the end-user. Warranty is limited to the following conditions. Warranty is referred only to the customer goods using for common domestic use. The claim for service can be applied either at dealer's shop where the product was bought, or at below mentioned authorized service shops. The end-user is obligated to set up a claim immediately when the defects appeared but only till the end of warranty period. The end-user is obligated to cooperate to certify the claiming defects. Only completed and clean (according to hygienic standards) product will be accepted. In case of eligible warranty claim the warranty period will be prolonged by the period from the date of claim application till the date of taking over the product by end-user, or the date the end-user is obligated to take it over. To obtain the service under this warranty, end-user is obligated to certify his claim with duly completed following documents: receipt, certificate of warranty, certificate of installation...

### This warranty is void especially if apply as follows:

■ Defects which were put on sale. ■ Wear-out or damage caused by common use. ■ The product was damaged by unprofessional or wrong installation, used in contrary to the applicable instruction manual, used in contrary to legal enactment and common process of use or used for another purpose which has been designed for. ■ The product was damaged by uncareful or insufficient maintenance. ■ The product was damaged by dirt, accident of force majeure (natural disaster, fire, flood, ...). ■ Defects on functionality caused by low quality of signal, electromagnetic field interference etc. ■ The product was mechanically damaged (e.g. broken button, fall...). ■ Damage caused by use of unsuitable media, fillings, expendable supplies (batteries) or by unsuitable working conditions (e.g. high temperatures, high humidity, quakes,...). ■ Repair, modification or other failure action to the product by unauthorized person. ■ End-user did not prove enough his right to claim (time and place of purchase). ■ Data on presented documents differs from data on products. ■ Cases when the claiming product can not be identified according to the presented documents (e.g. the serial number or the warranty seal has been damaged).

## Autorizovaná servisní střediska / Autorizované servisné strediská / Authorized service centres

FAST ČR, a. s.  
U Sanitasu 1621 CZ  
251 01 Říčany  
Česká republika  
Tel.: +420/ 323 204 120  
Fax: +420/ 323 204 121  
servis.praha@fastcr.cz  
www.fastcr.cz

FAST ČR, a. s.  
Cejl 31  
CZ 602 00 Brno  
Česká republika  
Tel.: +420/ 531 010 295  
Fax: +420/ 531 010 296  
servis.brno@fastcr.cz  
www.fastcr.cz

Fast Plus, a. s.  
Na Pántoch 18  
SK 831 06 Bratislava  
Slovenská republika  
Tel.: +421/ 249 105 811  
Fax: +421/ 249 105 810  
fastplus@fastplus.sk  
www.fastplus.sk

## Jótállási jegy

■ A termék gyártója: FAST ČR, a.s. (U Sanitazu 1621, Řiřany u Prahy 251 01, Csehország)

■ A FAST Hungary Kft. (2310 Szigetszentmiklós, Kántor út 10.) mint a termék magyarországi importőre a jótállási jegyben feltüntetett típusú és gyártási számú készülékek jótállást biztosít a fogyasztók számára az alábbi feltételek szerint:

■ A FAST Hungary Kft. a termékre a fogyasztó részére történő átadásától (vásárlástól), illetve ha az üzembe helyezést a terméket értékesítő vállalkozás vagy annak megbízottja végzi, az üzembe helyezéstől számított 24 hónapig, míg 250.000,- Ft eladási ár felett 36 hónapig tartó időtartamra vállal jótállást. Ha a terméket a fogyasztó az átadásától számított fél éven belül helyezeti üzembe, akkor a jótállási határidő a termék átadásától kezdődik. A termék alkotórészeire és tartozékaira (pl. alkalmazó) a jótállási idő a termék átadásától számított 12 hónap.

■ A jótállási igény a jótállási jeggyel, az átadástól (ha releváns az üzembe helyezéstől) számított (i) 1 évig - 100.000,- Ft eladási árát meg nem haladó termék esetén; (ii) 2 évig - 250.000,- Ft eladási árát meg nem haladó termék esetén; (iii) 3 évig - 250.000,- Ft eladási árát meghaladó termék esetén a terméket értékesítő vállalkozásnál, annak székhelyén, vagy bármely telephelyén, fióktelepén, illetve mindhárom esetben a jótállási jegyben feltüntetett hivatalos szerviznél közvetlenül is, míg az előző (i) pont szerinti esetben, azaz 100.000,- Ft eladási árát meg nem haladó termék esetén a 13. hónaptól a 24. hónapig kizárólag a hivatalos szerviznél érvényesíthető. ■ Jótállási jegy hiányában a fogyasztói szerződés megkötését bizonyítottan kell tekinteni, ha a fogyasztó bemutatja a termék ellenértékének megfizetését hitelt érdemlően igazoló bizonylatot. Mindezek érdekében kérjük tisztelt Vásárlóinkat, hogy őrizzék meg a fizetési bizonylatot is. A jótállási időn belüli meghibásodás esetén a termék - választása szerint - (i) a hibás terméket díjmentes kijavítását vagy kicserélését követelheti, kivéve, ha a választott igény teljesítése lehetetlen, vagy ha az a jótállásra kötelezettnek a fogyasztó által érvényesíteni kívánt másik igény teljesítésével összehasonlítva aránytalan többletköltséget eredményezne, vagy (ii) ha a kötelezett a kijavítást, illetve kicserélést nem vállalata, vagy e kötelezettségének megfelelő határidőn belül, a fogyasztó érdekeit kímélve nem tud eleget tenni, vagy ha a fogyasztásból a kijavításhoz vagy kicseréléshez fűződő érdeke megszűnt, akkor a fogyasztó megfelelő árleszállítást igényelhet, vagy a hibát a kötelezett költségére maga kijavíthatja vagy mással kijavíttathatja vagy elállhat a szerződéstől. Jelentéktelen hiba miatt

elállásnak nincs helye. A fogyasztó a választott jogáról másra térhet át. Az áttéréssel okozott költséget köteles a jótállásra kötelezettnek megfizetni, kivéve, ha az áttérésre a jótállásra kötelezett adott okot, vagy az áttérés egyébként indokolt volt. ■ Ha a jótállási időtartam alatt a termék első alkalommal történő javítása során megállapítást nyer, hogy a termék nem javítható, a fogyasztó eltérő rendelkezése hiányában a termék a megállapítást követő 8 napon belül kicserélésre kerül. Ha a termék cseréjére nincs lehetőség, a fogyasztó által bemutatott, a termék ellenértékének megfizetését igazoló bizonylaton feltüntetett vételárát nyolc napon belül kell a fogyasztó részére visszatéríteni. ■ Ha a jótállási időtartam alatt a termék három alkalommal történő kijavítást követően ismét meghibásodik, a fogyasztó eltérő rendelkezése hiányában, valamint ha a fogyasztó nem igényli a vételár arányos leszállítását, és nem kívánja a terméket a jótállásra kötelezett költségére kijavítani vagy mással kijavíttatni, a termék 8 napon belül kicserélésre kerül. Ha a termék kicserélésére nincs lehetőség, a fogyasztó által bemutatott, a termék ellenértékének megfizetését igazoló bizonylaton feltüntetett vételárát nyolc napon belül kell a fogyasztó részére visszatéríteni. ■ Ha a termék kijavítására a kijavítási igény közlésétől számított 30. napig nem kerül sor, a fogyasztó eltérő rendelkezése hiányában a terméket a 30 napos határidő eredménytelen eltelteét követő nyolc napon belül cserélni kell. Ha a termék cseréjére nincs lehetőség, a fogyasztó által bemutatott, a termék ellenértékének megfizetését igazoló bizonylaton feltüntetett vételárát a 30 napos kijavítási határidő eredménytelen eltelteét követő nyolc napon belül kell a fogyasztó részére visszatéríteni. ■ A fogyasztó a hiba felfedezését követően késedelem nélkül, legkésőbb a felfedezéstől számított 2 hónapon belül köteles a hibát közölni. A bejelentés kapcsán kérjük vegye figyelembe, hogy a **jótállási igény kizárólag a jótállási határidőben érvényesíthető! Mindazonáltal a jótállási határidő meghosszabbodik a javításra átadás napjától kezdve azaz az idővel, amely alatt a fogyasztó a terméket a hiba miatt rendeltetésszerűen nem használhatta.** Ha a jótállásra kötelezett jótállási kötelezettségének megfelelő határidőben nem tesz eleget, a jótállási igény a fogyasztó erre irányuló felhívásában tűzött megfelelő határidő eltelteitől számított 3 hónapon belül akkor is érvényesíthető bíróság előtt, ha a jótállási idő már eltelt. E határidő elmulasztása jogvesztéssel jár. A jótállási kötelezettség teljesítésével kapcsolatosan felmerülő költségek a jótállás kötelezettjét terhelik.

■ A 151/2003. (IX.22.) Korm.rendeletben meghatározott tartós fogyasztási cikk meghibásodása miatt a vásárlástól (üzembe helyezéstől) számított három munkanapon belül érvényesített csereigény esetén a terméket értékesítő vállalkozás nem hivatkozhat aránytalan többletköltségre, hanem köteles a tartós fogyasztási cikket kicserélni, feltéve, hogy a meghibásodás a rendeltetésszerű használatot akadályozza (és a csere nem lehetetlen). ■ Kijavítás esetén a fogyasztási cikkbe csak új alkatrész kerülhet beépítésre. Javítási- vagy csereigény esetén törekedni kell arra, hogy a kijavítás vagy kicserélés 15 napon belül megtörténjen. Ha a javítás vagy a csere időtartama a 15 napot meghaladja, akkor tájékoztatni a fogyasztót a kijavítás vagy a csere várható időtartamáról. A tájékoztatás a fogyasztó előzetes hozzájárulása esetén elektronikus úton, vagy a fogyasztó általi átvevő igazolására alkalmas más módon történik. A rögzített bekötésű, illetve a 10kg-nál súlyosabb, vagy tömegközlekedési eszközön kézi csomagként nem szállítható fogyasztási cikket – járművek kivételével – az üzemeltetés helyén kell megjavítani. Ha a javítás az üzemeltetés helyén nem végezhető el, a le- és felszerelésről, valamint az el- és visszaszállításról a jótállás kötelezettje, vagy a javítószolgáltatást közvetlenül érvényesített kijavítási igény esetén – a javítószolgáltat gondoskodik.

■ Nem tartozik jótállás alá a hiba és a jótállásra kötelezett mentesül a jótállási kötelezettség alól, ha bizonyítja, hogy a hiba oka a termék fogyasztó részére való átadását követően keletkezett, így például ha a hibát ■ nem rendeltetésszerű használat, használati útmutató figyelmen kívül hagyása, helytelen szállítás vagy tárolás, leejtés, rongálás, elemi kár, készüléken kívüli ok (pl. hálózati feszültség megengedettnél nagyobb ingadozása) ■ illetéktelen átalakítás, beavatkozás, nem hivatalos szerviz által végzett szakszerűtlen javítás ■ fogyasztó feladatát képező karbantartási munkák elmulasztása ■ normál, természetes elhasználódásra visszavezethető (pl. elem lemerülése) vagy üzemszerű kopásnak tulajdonítható meghibásodás okozta. A jótállás a fogyasztó jogszabályból eredő jogait, így különösen a Polgári Törvénykönyv szerinti kötelezettségtől illetve termékjavítási jogait nem érinti. ■ Tájékoztatjuk, hogy a fogyasztóvédelmi törvényben meghatározott fogyasztó jogvita bíróságon kívüli rendezése érdekében Ön a megyei (fővárosi) kereskedelmi és iparkamarák által működtetett békéltető testület eljárását is kezdeményezheti (a békéltető testületek elérhetősége: <https://bekeltetes.hu/index.php?id=testuletek>).

Hivatalos szerviz / Autoryzowana sieć serwisowa

revision 01/2021

Fast Hungary Kft.  
2310, Szigetszentmiklós  
Kántor u. 10  
Hungary  
Tel.: + 36/ 23 330 830  
Fax: + 36/ 23 330 8274  
fasthungary@fasthungary.hu  
www.fasthungary.hu

### **A kereskedő tölti ki**

Megnevezés:.....

Típus:..... Gyártási szám: .....

A termék azonosításra alkalmas részeinek meghatározása (ha alkalmazható):.....

Vásárlást igazoló bizonylat száma:.....

A vásárlás (üzembe helyezés) időpontja: 20..... hó.....nap.

Kereskedő bélyegzője:

Kereskedő aláírása: .....

Kereskedő címe: .....

### **Javítás esetén alkalmazandó**

#### **A kereskedő vagy szerviznél történő közvetlen bejelentés esetén a szerviz tölti ki**

A jótállási igény bejelentésének időpontja: .....

Javításra átvétel időpontja:.....

Hiba oka:.....

Javítás módja:.....

A termék fogyasztó részére való visszaadásának időpontja:.....

A jótállás – kijavítás időtartamával meghosszabbított – új határideje:.....

Szerviz pecsétje:

Kereskedő pecsétje:.....

### **Kicserélés esetén alkalmazandó**

A jótállási igény kicseréléssel került rendezésre.

A csere időpontja: .....

Kereskedő bélyegzője:

Tisztelt Fogyasztó!

Köszönjük, hogy termékünket választotta. Cégünk és szervizünk elérhetősége:

**FAST Hungary Kft.** H-2310 Szigetszentmiklós, Kántor út 10. Tel.: 06-23-330-905; 06-23-330-830;

Fax: 06-23-330-827, E-mail: [szerviz@fasthungary.hu](mailto:szerviz@fasthungary.hu)



## Garantijos taisyklės

Šiam gaminii suteikiama 24 mėnesių nuo įsigijimo datos garantija. Garantija apsiriboja žemiau pateikiamomis sąlygomis. Garantija skirta tik gaminiams, skirtiems buitiniam naudojimui. Dėl garantinio remonto pirkejas gali kreiptis į pardavėjo parduotuvę, kurioje gaminį pirkė, arba į nurodytus įgaliotus techninės priežiūros centrus. Galutinis naudotojas įsipareigoja pateikti pretenziją nedelsiant po defekto atsiradimo, tačiau tik iki garantijos galiojimo periodo pabaigos. Galutinis naudotojas įsipareigoja bendradarbiauti patvirtinant gaminio defektus, dėl kurių pateikia pretenziją. Priimtas bus tik pilnai sukomplektuotas ir švarus (pagal higienos standartus) gaminys. Jei pretenzija dėl garantinio remonto bus pagrįsta, gaminio garantijos galiojimo periodas bus prailgintas atitinkamai periodu nuo pretenzijos pateikimo datos iki galutinio naudotojas pasius sutaisytą gaminį arba iki datos, kada galutinis naudotojas turėtų pasiimti sutaisytą gaminį. Norėdamas gauti garantinio remonto paslaugas, galutinis naudotojas turi patvirtinti pretenziją pilnai užpildytais sekančiais dokumentais: pirkimo kvitu, gaminio talonu, instaliavimo sertifikatu...

**Garantija netaikoma:** ■ Nukainotoms (brokuotoms) prekėms. ■ Įprastinai susidėvintiems gaminio dalims ■ Gedimams, atsiradusiems neprofesionaliai ar neteisingai gaminį instaliavus, nesilaikant gaminio naudojimo instrukcijų, naudojant gaminį ne pagal įstatymų numatytus standartus ar įprastinius tokio tipo gaminijų naudojimo procesus, naudojant gaminį kitai paskirčiai nei numatyta. ■ Gedimams, atsiradusiems dėl netinkamos ar nepakankamos gaminio priežiūros. ■ Gedimams, atsiradusiems dėl purvo, nenugalimos jėgos aplinkybių (stichinių nelaimių, gaisro, potvynio, ...). ■ Gedimams, atsiradusiems dėl prastos kokybės signalo, elektromagnetinio lauko trikdžių ir kt. ■ Rodus mechaninių pažeidimų (pvz. sulaužyti mygtukai, kritimo požymiai...). ■ Gedimams, atsiradusiems naudojant gaminį su netinkamomis laikmenomis, jungiant prie netinkamų tinklų, dedant į gaminį netinkamus maitinimo šaltinius (baterijas) ar dėl bet kokių kitų netinkamų naudojimo sąlygų (pvz. aukštos temperatūros, didelės drėgmės, žemės drebėjimų...). ■ Nustačius, kad gaminys taisytas, modifikuotas ar ardytas neįgaliotų tai daryti asmenų. ■ Jei galutinis naudotojas neturi visų reikalingų dokumentų, įrodančių jo teisę į garantinį remontą (pvz. dokumento, kur būtų nurodytas gaminio įsigijimo laikas ir vieta). ■ Jei data pateiktuose dokumentuose skiriasi nuo datos ant gaminio.

## Warunki gwarancji

Produkt objęty jest 24 – miesięczną gwarancją, począwszy od daty zakupu przez klienta. Gwarancja jest ograniczona tylko do przedstawionych dalej warunków. Gwarancja obejmuje tylko produkty zakupione w Polsce i jest ważna tylko na terytorium Rzeczypospolitej Polskiej. Gwarancja obejmuje tylko produkty funkcjonujące w warunkach gospodarstwa domowego (nie dotyczy produktów oznaczonych jako „Profesjonal”). Zgłoszenia gwarancyjne można dokonać w autoryzowanej sieci serwisowej lub w sklepie, gdzie produkt został nabyty. Użytkownik jest zobowiązany zgłosić usterkę niezwłocznie po jej wykryciu, a najpóźniej w ostatnim dniu obowiązywania okresu gwarancyjnego. Użytkownik jest zobowiązany do przedstawienia i udokumentowania usterki. Tylko kompletne i czyste produkty (zgodnie z standardami higienicznymi) będą przyjmowane do naprawy. Usterki będą usuwane przez autoryzowany punkt serwisowy w możliwie krótkim terminie, nieprzekraczającym 14 dni roboczych. Okres gwarancji przedłuża się o czas pobytu sprzętu w serwisie. Klient może ubiegać się o wymianę sprzętu na wolny od wad, jeżeli punkt serwisowy stwierdzi na piśmie, że usunięcie wady jest niemożliwe. Aby produkt mógł być przyjęty przez serwis, użytkownik jest zobowiązany dostarczyć oryginały: dowodu zakupu (paragon lub faktura), podbitej i wypełnionej karty gwarancyjnej, certyfikatu instalacji (niektóre produkty).

### Gwarancja zostaje unieważniona, jeśli:

■ usterka była widoczna w chwili zakupu, ■ usterka wynika ze zwykłego użytkowania i zużycia, ■ produkt został uszkodzony z powodu złej instalacji, niezastosowania się do instrukcji obsługi lub użytkowania niezgodnego z przeznaczeniem, ■ produkt został uszkodzony z powodu złej konserwacji lub jej braku, ■ produkt został uszkodzony z powodu zanieczyszczenia, wypadku lub okoliczności o charakterze sił wyższych (powódź, pożar, wojny, zamieszki itp.), ■ produkt wykazuje złe działanie z powodu słabego sygnału, zakłóceń elektromagnetycznych itp., ■ produkt został uszkodzony mechanicznie (np. wylamany przycisk, upadek, itp.), ■ produkt został uszkodzony z powodu użycia niewłaściwych materiałów eksploatacyjnych, nośników, akcesoriów, baterii, akumulatorów itp. lub z powodu użytkowania w złych warunkach (temperatura, wilgotność, wstrząsy itp.), ■ produkt był naprawiany lub modyfikowany przez nieautoryzowany personel, ■ użytkownik nie jest w stanie udowodnić zakupu (nieczytelny paragon lub faktura), ■ dane na przedstawionych dokumentach są inne niż na urządzeniu, ■ produkt nie może być zidentyfikowany ze względu na uszkodzenie numeru seryjnego lub plomby gwarancyjnej.

Uab „Senukai Prekybos Centras“ Garantinis Servisas  
Jonavos G. 62, LT-44192,  
Kaunas, Lithuania  
Tel.: +370 37 212 146  
Tex.: +370 37 212 165  
garrem@senukai.lt  
www.senukai.lt

Fast Poland, Sp. z o.o.  
Sokołowska 10  
PL 05-090 Puchały  
Poland  
Tel.: +48 500 116 777  
Fax: +48 22 869 96 13  
fastpoland@fastpoland.pl  
www.fastpoland.pl



 **FIELDMANN**<sup>®</sup>  
Home & Garden Performance