



FIELDMANN®
Home & Garden Performance



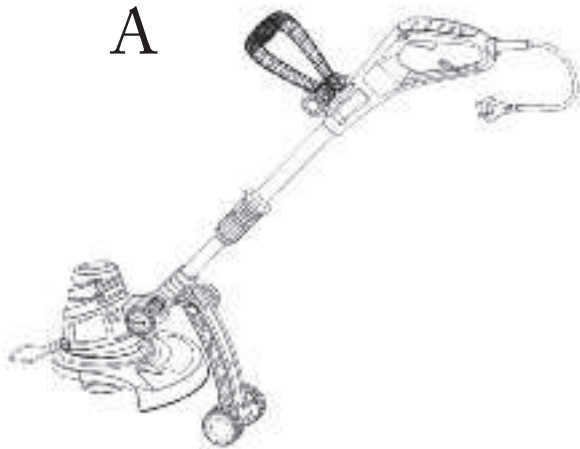
FZS 2002-E

English	9 - 20
Čeština	21 - 32
Slovenčina	33 - 44
Magyarul	45 - 56
Polski	57 - 68
Русский	69 - 81

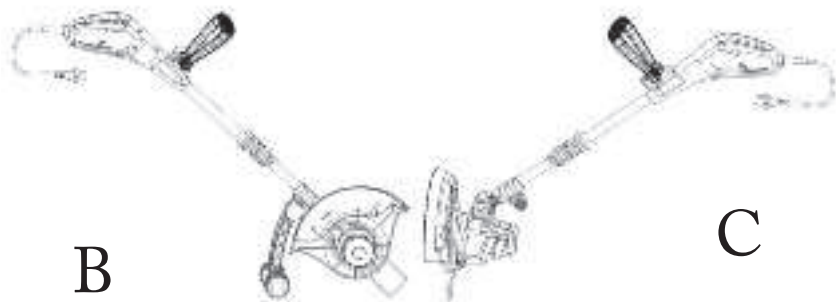


2

A

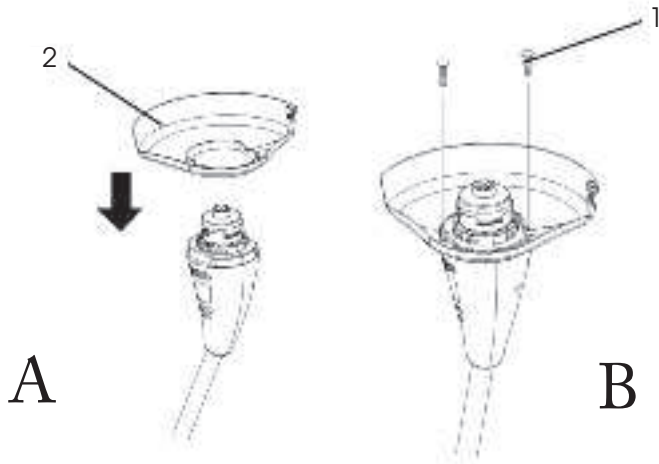


B

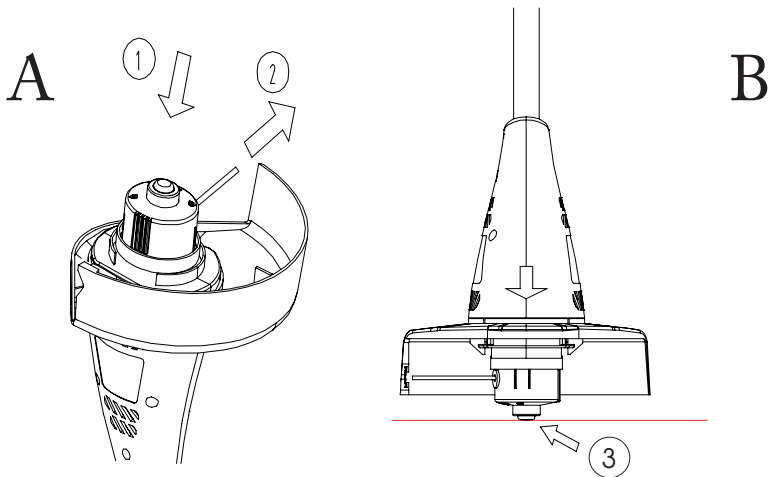


C

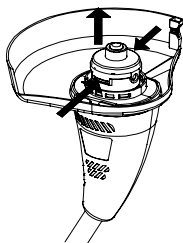
3



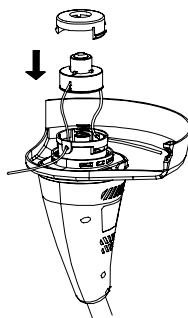
4



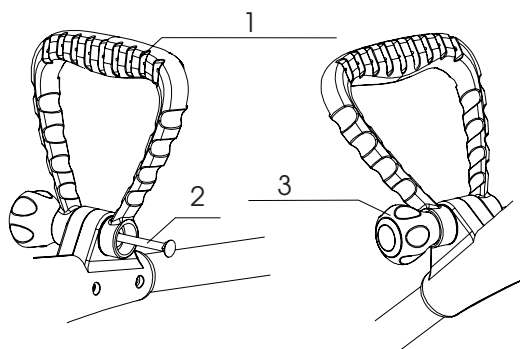
5



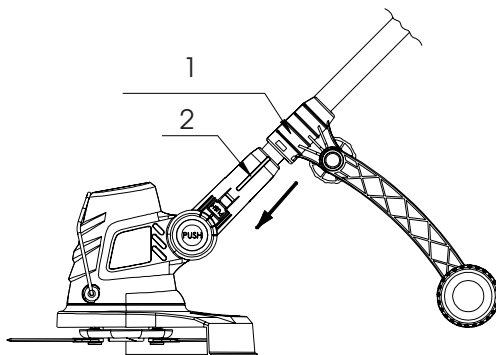
6



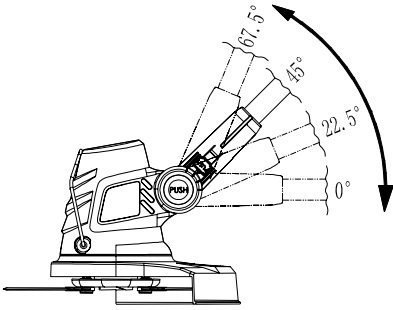
7



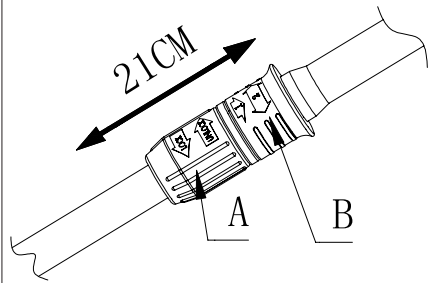
8



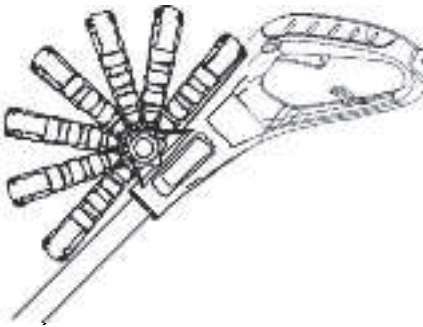
9



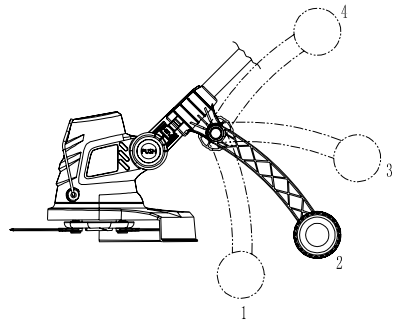
10



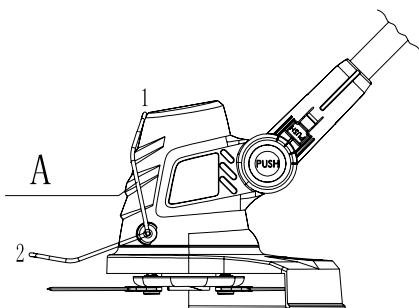
11



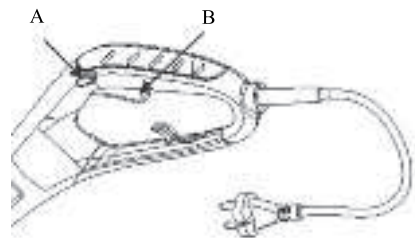
12



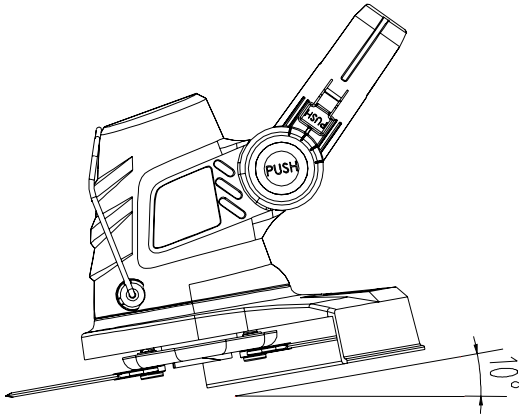
13



14



15



Electric String Trimmer

INSTRUCTION MANUAL

Thank you for your purchase of the electric string trimmer. For your personal safety, read and understand the Instruction Manual before using. Keep the Instruction Manual in a safe place for future reference.

CONTENTS

PICTORIAL APPENDIX	3
1. GENERAL SAFETY INSTRUCTIONS	10
Important Safety Instructions	
Package	
Instruction Manual	
2. SYMBOLS AND WARNINGS ON MACHINE	11
3. MACHINE DESCRIPTION AND ITEMS DELIVERED	12
4. SAFETY INSTRUCTIONS	12
5. APPLICATION	13
6. ASSEMBLY INSTRUCTIONS	14
7. OPERATION	15
8. STRING TRIMMER STARTUP	16
9. MAINTENANCE	17
10. TECHNICAL SPECIFICATIONS	17
11. DECLARATION OF CONFORMITY	18
12. DISPOSAL	19

1. GENERAL SAFETY INSTRUCTIONS

Important safety warnings


- ✿ Unpack the product carefully and be sure not to throw away any part of the package before having found all components of the product.
- ✿ Keep the product in a dry place out of reach of children.
- ✿ Read all cautions and instructions. The failure to adhere to warning cautions and instructions may result in an accident, fire and/or a serious injury.

Packaging

The product is placed in a package preventing damage during transport. This package is a raw material therefore it can be handed-over for recycling.

Instructions for use

Before beginning to work with the machine, read the following safety rules and instructions for use. Familiarize with operating elements and the proper use of the device. Keep the manual in a safe place for future reference. We recommend keeping the original package including the inner packaging materials, cash voucher and guarantee card for a period of warranty at minimum. For a case of transportation, pack the machine into the original box from the manufacturer, thus ensuring a maximum protection of the product during a possible transport (e.g. moving or sending into a service station).

-  **Note:** If you hand the machine over to next persons, hand it over together with the manual. Adherence to the attached instructions for use is a precondition for the proper use of the machine. The operation manual includes also instructions for operation, maintenance and repairs.

The manufacturer does not take any responsibility for accidents or damages resulting from the failure to adhere to this manual.

2. SYMBOLS AND WARNINGS ON MACHINE



Warning!



Read the Instruction Manual attentively before operating the tool.



Keep other persons in a safe distance off the tool!



Do not operate the tool if raining or in wet conditions.



Always wear eye protection.

3. MACHINE DESCRIPTION AND ITEMS DELIVERED

Machine Description (See fig. 1)

- | | |
|--------------------------------------------------|------------------------|
| 1 - Trigger | 8 - Safeguard |
| 2 - Handle | 9 - String |
| 3 - Adjustable second handle | 10 - String spool |
| 4 - Second handle locking bolt | 11 - Line-cutting edge |
| 5 - Telescopic boom to adjust the working height | 12 - Cable retainer |
| 6 - Telescopic boom locking bolt | 13 - Mains plug |
| 7 - Trimmer head | 14 - Edge guide wheels |

Items Delivered

Remove all contents from the box and inspect to ensure no damage was incurred during shipping, and that the items listed below are included.

- ✿ Electric garden string trimmer
- ✿ Safeguard
- ✿ Handle with a locking bolt
- ✿ Warranty card
- ✿ Instruction Manual

Should the components be missing or damaged, contact the dealer of the machine.

4. SAFETY INSTRUCTIONS

⚠ WARNING! Keep all safety instructions when operating the electric tool. For your as well as other persons' safety, read and understand the Instruction Manual attentively prior to use of the tool. Keep the Instruction Manual in a safe place for future reference.

- ✿ When operating the tool, wear the safety glasses.
- ✿ When operating the tool, wear the safety gloves.
- ✿ Do not expose the tool to rain or moisture.
- ✿ Read the Instructions Manual attentively and get familiarized with all control features and their functions.
- ✿ Do not allow children or untrained individuals to use the tool.
- ✿ Keep all bystanders, children and pets away from the trimmer; the grass which is cut and dispersed may contain stones and debris. Should other persons be in your close vicinity, particularly the children, stop mowing.

- ✿ When operating the tool, keep other persons, children or animals at the minimum distance of 4,5 m from the string trimmer.
 - ✿ Operate the tool only by daylight or by appropriate artificial lighting.
 - ✿ Prior to use of the tool or after any impact, always check the string trimmer for damage or wear. Repair the string trimmer, if necessary. Do not operate the string trimmer if the cutting is not properly fixed or is damaged.
 - ✿ Always check whether the tool is in a good condition. If not, it can endanger the user.
 - ✿ When operating the trimmer, always use all the safeguards.
 - ✿ Do not operate the trimmer in case the safeguards are damaged.
 - ✿ Clear the work area before each use. Remove all objects such as stones, metal pieces, roots, other hard objects and plastic bags, nylon ropes and other objects that cannot be cut.
 - ✿ Prior to startup of the trimmer, make sure the nylon string does not touch stones or debris.
 - ✿ Do not place your arms and legs to the cutting area; especially not when starting up the motor.
 - ✿ Protect yourselves from injuries caused by the trimmer string. After you fixed a new cutting string, return the string trimmer to the standard operation position.
 - ✿ Do not use damaged or cracked cutting elements.
 - ✿ Do not use spare parts or accessories not delivered or not recommended by the string trimmer manufacturer.
 - ✿ Always clean the debris from the ventilation slots.
 - ✿ Do not carry the trimmer with your finger on the trigger; you will avoid the accidental startup of the machine.
 - ✿ Keep the balanced and safety position when mowing.
 - ✿ Clean the work area from wires, stones and debris.
 - ✿ Do not cut hard objects. Imminent danger of an injury or damage of the trimmer.
- ⚠ WARNING!** Cutting elements keep rotating for a certain time after the motor was switched off!
- ✿ Do not attempt to stop the cutting element (nylon string) by your hands. Let it stop by itself.
 - ✿ Do not use the string trimmer to cut grass which is not in contact with the ground i. e. grass on low walls, rockeries, etc.
 - ✿ Do not cross the roads or gravel paths with the string trimmer still running.

5. APPLICATION

- ✿ The electric string trimmer is intended for grass mowing.
- ✿ Use for other purposes is strictly forbidden.
- ✿ The string trimmer is intended for domestic use only.

6. ASSEMBLY INSTRUCTIONS

For Your Safety

⚠ WARNING! Prior to any adjustments, disconnect the plug from the power supply source.

Select the appropriate operation position (Fig. 2)

You can select one out of three operation positions (A, B, C):

- ✿ The operation position A is intended for grass mowing. The wheel assembly can be used at your discretion.
- ✿ The operation position B is intended for edge mowing. Use the wheel assembly.
- ✿ The operation position C is also intended for edge mowing. Do not use the wheel assembly.

Safeguard Attachment (Fig. 3)

- ✿ Remove two screws (1) from the string trimmer casing (Fig. 3/B).
- ✿ Place the motor cover so that the string head carrier faces upwards (Fig. 3/A).
- ✿ Slide the safeguard (2) over the motor cover (Fig. 3/A).
- ✿ Insert two screws back to the trimmer head through the safeguard openings and tighten them, see the figure 3/B.


Check the nylon strings (Fig. 4)

- ✿ Prior to the first startup of the electric string trimmer, check whether the nylon strings touch the cut-off blade or whether it is by-passed. If the strings are not long enough (1), press the button (2) and pull out the nylon string to have the sufficient length. (See the figure 4/A)
- ✿ The extended nylon string will be automatically cut by the cut-off blade to the appropriate length as soon as you turn the string trimmer on.
- ✿ The nylon string gets shorter or worn during the string trimmer operation. To extend the nylon string automatically or to move the string, tap the spool button (3) slightly to the ground (the string trimmer is ON), see the figure 4/B.

You should repeat the above mentioned steps several times prior to start working with the string trimmer in order to be sure the trimmer works properly and to get familiarized with the trimmer control elements. Start off slowly, when you have gained experience, you will be able to use the string trimmer to its full potential.

Replacement of the Nylon String Spool

- ✿ Turn the machine upside down.
- ✿ Press the locking latches on the string head cover, as depicted in figure 5, pull the cover and remove it.

- ✿ Remove the worn spool from the trimmer and dispose the remaining string on the spool.
 - ✿ Pass the string end through the spool neck, see figure 6. Make sure the spring is securely placed under the spool. Place the spool to the cutting head and pull the string through the opening in order to create sufficient tension, see figure 6.
-  **Note:** Be careful, the head contains the spring which can get easily lost. Make sure the spring is securely placed in its position.
- ✿ Press the spool slightly downwards to the spring while turning it, until it gets engaged. Check that the string is not snagged under the spool.
 - ✿ Click the cover shut back in the position, place the string trimmer in the operation position and turn it on. Within a few seconds, you will hear that the nylon string is cut to the appropriate length. If not, tap slightly with the trimmer head to the ground in order to release the appropriate length of the string.

Adjustable Handle Attachment (Fig. 7)


- ✿ Turn the handle knob (3) and pull out the screw (2) of the adjustable handle (1).
- ✿ Insert the adjustable handle (1) to the trimmer handle.
- ✿ Insert the screw (2) and the handle knob (3) back and tighten the knob slightly.
- ✿ Prior to final tightening of the knob (3), turn the adjustable handle (1) to the desired angle. When the adjustable handle (1) is in the required position, tighten the handle knob finally (3).

Edge Guide Wheel Assembly (Fig. 8)

WARNING!

- ✿ The edge guide wheel assembly (1) may or need not be used to cut grass (operation position A).
 - ✿ The edge guide wheel assembly (1) must be used to cut edges (operation position B).
 - ✿ The edge guide wheel assembly (1) must not be used to cut grass (operation position C).
- ✿ While fixing the edge guide wheel assembly (1) to the guide (2) of the handle, you will hear a click when the lock gets engaged on one side.
 - ✿ remove the edge guide wheel assembly from the trimmer, press the „PUSH“ button and pull out the assembly from the guide (2) of the trimmer handle.

7. OPERATION

-  **WARNING! RISK OF INJURY!** There is an imminent risk of injury in case the string trimmer does not turn off after you have released the trigger. Never override the safety devices (e.g. by strapping down one of the start buttons).

Adjustment of Trimming Head Angle (Fig. 9)

- ✿ The trimmer head can be set to 4 different operation positions.
- ✿ Press the „PUSH“ button by one hand and turn the trimmer head to the desired position by other hand. The „PUSH“ button will lock the head automatically.

Adjustment of Handle Length and Angle (Fig. 10)

- ✿ Turn the locking sleeve (A) in the „UNLOCK“ direction and extend the upper part of the handle to the desired length. Then, turn the locking sleeve (A) in the „LOCK“ direction and tighten firmly.
- ✿ Pull the locking screw (B) upwards in the direction „1“. Turn the upper part of the handle in the direction „2“ to the operation position 0°, 90°, 180°. • The operation position 0° is intended for grass mowing only. • The operation positions 90° and 180° are intended for edge mowing only.

Adjustment of Adjustable Handle Angle (Fig. 11)

- ✿ Press the lock button and turn the adjustable handle to the desired position.
- ✿ There are 7 operation positions available.
- ✿ Then, tighten the lock button firmly.

Adjustment of Edge Guide Wheel Assembly Angle (Fig. 12)

- ✿ Release the lock knob and turn the edge guide wheel assembly to the desired angle.
- ✿ The positions „1“, „2“, „3“ are the available operation positions.
- ✿ In case you do not use the edge guide wheel assembly, you can either remove it from the trimmer or set it to the position „4“.

Safeguard Adjustment (Fig. 13)

- ✿ Position „1“ is the parking position; position „2“ is the operation position.
- ✿ Turn the safeguard (A) to the desired position, until the lock gets engaged.

8. STRING TRIMMER STARTUP (Fig. 14)

Switching the Trimmer ON

- ✿ Push and hold the safety button (A), and then press the trigger (B) on the handle.
- ✿ Release the safety button (A).

Switching the Trimmer OFF

- ✿ Release the trigger (B) on the handle.

⚠ WARNING! RISK OF INJURY! Cutting elements keep rotating for a certain time after the motor was switched off. • Do not attempt to stop the cutting element (nylon string) by your hands. Let it stop by itself.

📖 Note: Recommendation: When cutting grass in the operation position A, set the angle between the cutting blades and ground to ca. 10°, you will reach the optimum performance of the trimmer. When operating, you can hold the string trimmer and move it from left to right and consequently from right to left. You will reach the optimum performance of the electric string trimmer. (Fig. 15).

9. MAINTENANCE

- ✿ The trimmer string can dry out in the process of time. To keep the nylon string in a perfect condition, store the spare pre-wound spools or loose string in a plastic bag with a spoon of water.
- ✿ clean the string trimmer, remove the battery and use a mild soap and a damp cloth only. Do not immerse the trimmer in water, nor hose it down. Avoid any liquid to get inside the string trimmer. Do not use pressurized water when cleaning the machine.
- ✿ The line-cutting blade on the safeguard side can get blunt. Regular sharpening of the blade with a file is recommended.

10. TECHNICAL SPECIFICATIONS

Voltage / frequency	230-240V~/50Hz
Input power	500W
No-load speed	11000 rpm
Cutting width	300mm

Instructions Manual - language version only.

11. DECLARATION OF CONFORMITY

Product/Name: ELECTRIC STRING TRIMMER / FIELDMANN

Type/Model: FZS 2002-E 230V,500W

The product complies with the following directives:

- ✿ The Directive of the European Parliament and the Council No. 2006/95/EC dated 12 December 2006 on the harmonisation of the laws of Member States relating to electrical equipment designed for use within certain voltage limits.
- ✿ The Directive of the European Parliament and the Council No. 2004/108/EC dated 15 December 2004 on the harmonisation of the laws of the Member States relating to electromagnetic compatibility and repealing Directive No. 89/336/EEC.
- ✿ The Directive of the European Parliament and the Council No. 2006/42/EC dated 17 May 2006 on machinery, and amending Directive No. 95/16/EC.
- ✿ The Directive of the European Parliament and the Council No. 2002/95/EC dated 27 January 2003 on the restriction of the use of certain hazardous substances in electrical and electronic equipment.

normami:

- ✿ EN 60335-1:2002+A11:2004+A1:2004+A12:2006+A2:06+A13:08
- ✿ EN 60335-2-91:2003
- ✿ EN 786:1996+A2:2009
- ✿ EN 50366:2003+A1:2006
- ✿ EN 60335-1:2002FPRAF:09PREN 60335-2-91:2007+FPRAA:09
- ✿ EN 55014-1:2000/A1:2001/A2:2002
- ✿ EN 55014-2:1997+A1:2001
- ✿ EN 61000-3-2:2000/A2:2005
- ✿ EN 61000-3-3:1995/A1:2001/A2:2005

CE Certification: 11

FAST ČR, a.s. is authorised to act on behalf of the manufacturer.

Manufacturer:

FAST ČR, a.s.

Černokostelecká 2111, 100 00 Praha 10, Česká republika

Tax ID: CZ26726548

In Prague, 07/04/2011

Name: Zdeněk Pech

Chairman of Board



Signature and stamps:

12. DISPOSAL

The machine and its accessories are made of various materials, e.g. of metal and plastics. Hand-over damaged components to sorted waste. Get yourselves informed at a respective authority.

INSTRUCTIONS AND INFORMATION ON DISPOSAL OF USED PACKAGING.

Put any used package material to the place determined by the municipality for waste disposal.

DISPOSAL OF USED ELECTRIC AND ELECTRONIC EQUIPMENT



This symbol on products or accompanying documents means that used electric or electronic products must not be put to ordinary municipal waste. Hand over such products to determined collection points for proper disposal, restoration and recycling. Alternatively, in some countries of the European Union or other European countries you can return your products to your local dealer when you buy an equivalent new product. By dutiful disposal of this product you can preserve precious natural resources and you help prevent any potential adverse effects on the environment and human health which could be the results of wrong waste disposal. Ask your local authority or the nearest collection point for additional details. In case of improper disposal of this waste kind penalties can be imposed in accordance with national regulations.

For companies in the European Union countries

Should you want to dispose of electric and electronic devices, ask your dealer or vendor for necessary information. Disposal in other countries outside the European Union. Should you want to dispose of this product, ask your local authorities or your dealer for necessary information about disposal method.



This product fulfils all basic requirements of the EU directives that apply to it.

Text, design and technical specifications can change without prior notice and we reserve the right for their change.

Elektrická strunová sekačka

NÁVOD K OBSLUZE

Děkujeme vám, že jste si zakoupili tuto strunovou sekačku na trávu. Než ji začnete používat, přečtěte si, prosím, pozorně tento návod k obsluze a uschovejte jej pro případ dalšího použití.

OBSAH

OBRAZOVÁ PŘÍLOHA	3
1. VŠEOBECNÉ BEZPEČNOSTNÍ PŘEDPISY	22
Důležitá bezpečnostní upozornění	
Obal	
Návod k použití	
2. VYSVĚTLENÍ ŠTÍTKŮ S POKYNY NA STROJI	23
3. POPIS STROJE A OBSAH DODAVKY	24
4. BEZPEČNOSTNÍ POKYNY	24
5. POUŽITÍ	25
6. POKYNY PRO MONTÁŽ	25
7. PROVOZ	27
8. SPUŠTĚNÍ SEKAČKY	28
9. ÚDRŽBA	29
10. TECHNICKÉ ÚDAJE	29
11. PROHLÁŠENÍ O SHODĚ	30
12. LIKVIDACE	31

1. VŠEOBECNÉ BEZPEČNOSTNÍ PŘEDPISY

Důležitá bezpečnostní upozornění


- ✿ Výrobek pečlivě vybalte a dejte pozor, abyste nevyhodili žádnou část obalového materiálu dříve, než najdete všechny součásti výrobku.
- ✿ Výrobek uchovávejte na suchém místě mimo dosah dětí.
- ✿ Čtěte všechna upozornění a pokyny. Zanedbání při dodržování varovných upozornění a pokynů mohou mít za následek úraz elektrickým proudem, požár a/nebo těžká poranění.

Obal

Výrobek je umístěn v obalu bránícím poškozením při transportu. Tento obal je surovinou a lze jej proto odevzdat k recyklaci.

Návod k použití

Než začnete se strojem pracovat, přečtěte si následující bezpečnostní předpisy a pokyny k používání. Seznamte se s obslužnými prvky a správným používáním zařízení. Návod pečlivě uschovejte pro případ pozdější potřeby. Minimálně po dobu záruky doporučujeme uschovat originální obal včetně vnitřního balicího materiálu, pokladní doklad a záruční list. V případě přepravy zabalte stroj zpět do originální krabice od výrobce, zajistěte si tak maximální ochranu výrobku při případném transportu (např. stěhování nebo odeslání do servisního místa).

-  **Poznámka:** Předáváte-li stroj dalším osobám, předejte jej společně s návodem. Dodržování přiloženého návodu k obsluze je předpokladem řádného používání stroje. Návod k obsluze obsahuje rovněž pokyny pro obsluhu, údržbu a opravy.

Výrobce nepřebírá odpovědnost za nehody nebo škody vzniklé následkem nedodržování tohoto návodu.

2. VYSVĚTLENÍ ŠTÍTKŮ S POKYNY NA STROJI



Varování!



Před použitím si přečtěte uživatelskou příručku.



Udržujte jiné osoby v dostatečné vzdálenosti!



Nepoužívejte za deště nebo za mokra.



Vždy používejte ochranu očí.

3. POPIS STROJE A OBSAH DODÁVKY

Popis stroje (viz obr. 1)

- | | |
|---------------------------------------------------|---------------------------------|
| 1 - Spínač | 8 - Ochranný kryt |
| 2 - Rukojeť | 9 - Struna |
| 3 - Nastavitelná druhá rukojeť | 10 - Cívka se strunou |
| 4 - Šroub pro upevnění druhé rukojeti | 11 - Ostří pro zkrácení struny |
| 5 - Teleskopická tyč pro nastavení pracovní výšky | 12 - Odlehčovač kabelového tahu |
| 6 - Aretační šroub pro upevnění teleskopické tyče | 13 - Síťová zástrčka |
| 7 - Hlava sekačky | 14 - Kolečka |

Obsah dodávky

Stroj vyjměte opatrně z obalu a zkontrolujte, zda jsou následující díly kompletní:

- ✿ Elektrická zahradní sekačka strunová
- ✿ Ochranný kryt
- ✿ Rukojeť se šroubem k uchycení
- ✿ Záruční list
- ✿ Návod k obsluze

Pokud díly chybí nebo jsou poškozeny, obraťte se, prosím, na prodejce, kde jste stroj zakoupili.

4. BEZPEČNOSTNÍ POKYNY

⚠ POZOR! Při používání tohoto stroje dodržujte bezpečnostní pravidla. Pro vaši bezpečnost a bezpečnost ostatních osob si před použitím tohoto stroje laskavě přečtěte tyto pokyny. Uschovejte laskavě tyto pokyny pro možné použití v budoucnu.

- ✿ Při práci s tímto přístrojem noste bezpečnostní brýle.
- ✿ Při práci s tímto přístrojem noste rukavice.
- ✿ Nevystavujte tento přístroj dešti nebo vysoké vlhkosti.
- ✿ Seznamte se s ovládním a správným použitím této sekačky.
- ✿ Nikdy nedovolte dětem nebo osobám neseznámeným s těmito pokyny používat tuto sekačku.
- ✿ Zamezte dětem, ostatním osobám a domácím zvířatům přibližovat se k této sekačce; tráva, jež se přistihává a rozlétá do okolí, může obsahovat kameny nebo úlomky. Pokud jsou v blízkosti jiné osoby, obzvláště děti, zastavte používání sekačky.
- ✿ Při práci se sekačkou nedovolte ostatním osobám nebo zvířatům přiblížit se do vzdálenosti bližší než 4,5m.
- ✿ Sekačku vždy používejte pouze za denního světla nebo při dobrém umělém osvětlení.

- ✿ Před použitím sekačky nebo po jakémkoli nárazu ji vždy zkontrolujte na známky opotřebení nebo poškození, a pokud je nutno, opravte ji. Nepoužívejte sekačku, není-li řezný nástroj správně zajištěn nebo je poškozen.
- ✿ Vždy zkontrolujte, je-li sekačka v dobrém pracovním stavu; není-li, může to ohrozit uživatele.
- ✿ Při použití strunové sekačky vždy používejte ochranné kryty.
- ✿ Nepoužívejte sekačku, jsou-li ochranné kryty poškozeny.
- ✿ Odstraňte z pracovního prostoru kameny, kovové částičky, kořeny, ostatní tvrdé předměty a plastové sáčky, nylonové šňůry a jiné předměty, jež nelze rozsekat.
- ✿ Před nastartováním sekačky se ujistěte, že se nylonový břit nedotýká kamenů nebo úlomků.
- ✿ Nikdy nepřibližujte ruce a nohy do prostoru pokosu a obzvláště ne, když startujete motor.
- ✿ Chraňte se před poraněním způsobeným řezným ostřím v délce řezné struny. Po natažení nové řezné struny, před spuštěním, vždy vraťte sekačku do její normální provozní pozice.
- ✿ Nepoužívejte kovové řezné prvky.
- ✿ Nepoužívejte náhradní součástky nebo doplňky nedodané nebo nedoporučené výrobcem.
- ✿ Vždy zajistěte, aby větrací otvory byly zbavené úlomků.
- ✿ Abyste zamezili neúmyslnému spuštění, nepřenášejte stroj s prstem na spínači pro zapnutí vypnutí.
- ✿ Při práci se sekačkou udržujte stabilní a bezpečnou pozici.
- ✿ Oblast, na níž budete pracovat, zbavte drátů, kamenů a úlomků.
- ✿ Nesekejte tvrdé předměty. To by mohlo způsobit úraz nebo poškození sekačky.

⚠ POZOR! Řezné prvky se po vypnutí motoru dál otáčejí!

- ✿ Nepokoušejte se zastavit řezný nástroj (nylonovou strunu) rukama. Vždy ji nechejte, až se zastaví sama.
- ✿ Nepoužívejte sekačku pro sekání trávy, jež se nedotýká země, například trávy na zídkách nebo skalkách atd.
- ✿ Nepřecházejte přes cesty nebo štěrkové stezky se sekačkou stále v chodu.

5. POUŽITÍ

- ✿ Tato strunová sekačka je určena k přistřihávání trávy.
- ✿ Nepoužívejte k žádnému jinému účelu.
- ✿ Tento přístroj je určen pouze pro domácí použití.

6. POKYNY PRO MONTÁŽ

Pro vaši bezpečnost

⚠ POZOR! Před prováděním jakéhokoli seřizování odpojte zástrčku pohonné jednotky od napájecího zdroje.

Zvolte pracovní pozici pro přistřihávání (obr. 2)

Je zde možnost 3 pracovních pozic (A, B, C):

- ✿ Pracovní pozice A je pro přistřihávání trávniku. Montážní celek s kolem může být použit, anebo nemusí.
- ✿ Pracovní pozice B je pro přistřihávání okrajů. Je nutno použít montážní celek s kolem.
- ✿ Pracovní pozice C je také pro přistřihávání okrajů. Nepoužívejte montážní celek s kolem.

Instalace ochranného krytu (obr. 3)

- ✿ Odstraňte dva šrouby (1) z pláště strunové sekačky (obr. 3/B).
- ✿ Umístěte kryt motoru tak, aby unášec strunové hlavy směřoval nahoru (obr. 3/A).
- ✿ Nasuňte ochranný kryt (2) přes kryt motoru (obr. 3/A).
- ✿ Vložte dva šrouby zpět do hlavy sekačky přes otvory v ochranném krytu a utáhněte je, jak je zobrazeno na obr. 3/B.


Zkontrolujte nylonové struny (obr. 4)

- ✿ Před prvním spuštěním strunové sekačky zkontrolujte, zda se nylonové struny dotýkají řezného břitů nebo jej obcházejí. Pokud nejsou dostatečně dlouhé, (1) stiskněte tlačítko (2). vytáhněte více nylonového vlákna, aby se prodloužilo. (obr. 4/A)
- ✿ Prodloužená nylonová struna se automaticky ořízne na správnou velikost řezným břitem, jakmile sekačku zapnete.
- ✿ Používáním se nylonová struna zkrátí či opotřebí. Pro automatické prodloužení nebo posunutí nylonové řezné struny klepněte tlačítkem cívky (3) lehce o zem (za chodu stroje) (obr. 4/B).

Tyto úkony byste měli několikrát zopakovat před započetím práce, abyste se ujistili, zda vše řádně funguje a abyste se seznámili se sekačkou. Začínějte pomalu, až získáte zkušenosti, budete moci využívat plný potenciál strunové sekačky.

Výměna cívky nylonové struny

- ✿ Obráťte stroj vzhůru nohama.
- ✿ Stiskněte uvolňovací jazýčky na víku strunového hrdla, jak je znázorněno na obr. 5, a odstraňte víko jeho vytažením.
- ✿ Vyjměte cívku z nástroje a odstraňte a zahodte veškerou strunu na cívce.
- ✿ Prostrčte konec struny skrz otvor v hrdle cívky, viz obr. 6. Ujistěte se, že pružina je na svém místě pod cívkou. Umístěte cívku do hrdla a při tom protahujte strunu otvorem, abyste zajistili dostatečné napětí, jak vidíte na obr. 6.

 **Poznámka:** Uvnitř hlavy je pružina, která se může snadno ztratit. Ujistěte se, že je na bezpečném místě.

- ✿ Jemně tlačte cívku směrem dolů na pružinu a otáčejte jí, dokud neucítíte, že zapadla

na místo. Dávejte pozor, aby se struna nezachytila pod cívkou.

- ✿ Zacvakněte víko hrdla nazpět, dejte přístroj do pracovní pozice a zapněte jej. Za pár sekund uslyšíte, jak se nylonová struna nařeže na správnou délku; pokud ne, klepněte hlavou lehce o zem, abyste uvolnili potřebnou délku struny.

Přípevnění nastavitelných rukojetí (obr. 7)

- ✿ Otočte knoflíkem rukojeti (3) a vytáhněte šroub (2) nastavitelné rukojeti (1).
- ✿ Vložte nastavitelnou rukojeť (1) do rukojeti přístroje.
- ✿ Vložte zpět šroub (2) a knoflík rukojeti (3), pak knoflík lehce utáhněte.
- ✿ Před úplným utažením knoflíku (3) natočte nastavitelnou rukojeť (1) do požadovaného úhlu. Když jenastavitelná rukojeť (1) v požadovaném úhlu, řádně utáhněte knoflík rukojeti (3).

Instalace montážního celku s kolem (obr. 8)

⚠ POZOR!

- ✿ Montážní celek s kolem (1) můžete nebo nemusíte používat pro přistřihávání trávy (pracovní pozice A).
- ✿ Montážní celek s kolem (1) musíte používat pro přistřihávání okrajů (pracovní pozice B).
- ✿ Montážní celek s kolem (1) nemůžete používat pro přistřihávání trávy (pracovní pozice C).
- ✿ Při nasazování doplňkového montážního celku s kolem (1) na vedení (2) držáku rukojeti uslyšíte zacvaknout zajišťovací zámek na své místo na jedné straně.
- ✿ Pro odstranění doplňkového montážního celku s kolem zatlačte na tlačítko „PUSH“ a vytáhněte doplňkový celek s kolem z vedení (2) držáku rukojeti

7. PROVOZ

- ⚠ **POZOR! NEBEZPEČÍ ZRANĚNÍ!** Nebezpečí úrazu, pokud se strunová sekačka nevypne, když uvolníte spouštěcí tlačítko. Nikdy nepřemostřujte bezpečnostní zařízení (například napojením spouštěcího tlačítka na rukojeť).

Nastavení úhlu hlavy sekačky (obr. 9)

- ✿ Úhel hlavy sekačky lze nastavit na 4 různé pracovní pozice.
- ✿ Zatlačte na tlačítko „PUSH“ jednou rukou a otočte hlavou sekačky do žádané pozice. Tlačítko „PUSH“ automaticky zajistí rukojeť.

Nastavení délky a úhlu rukojeti (obr. 10)

- ✿ Otáčejte upínací objímkou (A) ve směru uvolňování („UNLOCK“) a prodlužte horní část rukojeti na požadovanou délku. Potom otočte upínací objímkou (A) ve směru zablokování („LOCK“) a pevně utáhněte.
- ✿ Zatáhněte uzamykací šroub (B) nahoru ve směru „1“. Otočte horní část rukojeti ve směru „2“ do pracovní pozice 0°, 90°, 180°. Pracovní pozice 0° je pouze pro přistřihávání trávniku. Pracovní pozice 90° a 180° je pouze pro přistřihávání okrajů.

Nastavení úhlu nastavitelné rukojeti (obr. 11)

- ✿ Uvolněte zajišťovací tlačítko a otočte nastavitelnou rukojeť do požadované pozice.
- ✿ Je zde 7 pracovních pozic.
- ✿ Potom zajišťovací tlačítko pevně utáhněte.

Nastavení úhlu montážního celku s kolem (obr. 12)

- ✿ Uvolněte zajišťovací knoflík a otočte montážním celkem do žádaného úhlu.
- ✿ Pozice „1“, „2“, „3“ jsou pracovní pozice.
- ✿ Pokud celek s kolem nepoužíváte, můžete jej odejmout nebo nastavit pozici „4“.

Nastavení ochranného krytu (obr. 13)

- ✿ Pozice „1“ je parkovací pozice, „2“ je pracovní pozice.
- ✿ Otočte ochranný kryt (A) do žádané pozice, tak, až zapadne na místo.

8. SPUŠTĚNÍ SEKAČKY (obr. 14)

Zapnutí sekačky

- ✿ Stiskněte a podržte bezpečnostní odjišťovací tlačítko (A) a potom stiskněte spouštěcí tlačítko (B) na rukojeti.
- ✿ Opět uvolněte bezpečnostní odjišťovací tlačítko (A).

Vypnutí sekačky

- ✿ Uvolněte spouštěcí tlačítko (B) na rukojeti.

⚠ POZOR! NEBEZPEČÍ ZRANĚNÍ! Řezné prvky se po vypnutí motoru dál otáčejí. Nepokoušejte se zastavit řezný nástroj (nylonovou strunu) rukama. Vždy ji nechejte, až se zastaví sama.

📖 Poznámka: Rada: Jestliže přistřiháváte trávnik v pracovní pozici A, aby to šlo lépe, úhel mezi břity a úrovní půdního horizontu by měl být nastaven na přibližně 10°. Při přistřihávání můžete držet stroj a pohybovat s ním zleva doprava a potom zprava doleva. Tímto způsobem dosáhnete lepšího účinku. (OBR. 15).

9. ÚDRŽBA

- ✿ Struna sekačky může časem vyschnout. Abyste ji udržovali stále ve výborném stavu, skladujte náhradní předvinuté cívy nebo volnou strunu v plastovém sáčku se lžičkou vody.
- ✿ Pro čištění přístroje vyjměte baterii a používejte pouze jemné mýdlo a vlhký hadřík. Neponořujte přístroj do vody, ani jej neostříkávejte hadicí. Nedovolte, aby se dovnitř dostala jakákoli tekutina. Nečistěte tlakovou vodou.
- ✿ Strunový řezač na okraji ochranného krytu se může po čase otupit. Doporučujeme pravidelně obnovovat ostrost pilníkem.

10. TECHNICKÉ ÚDAJE

Napětí/Frekvence	230-240V~/50Hz
Vstupní výkon	500W
Otáčky volnoběhu	11000/min
Šířka pokosu	300mm

Návod k použití v originálním jazyce.

11. PROHLÁŠENÍ O SHODĚ

Výrobek / značka: ELEKTRICKÁ SEKAČKA STRUNOVÁ / FIELDMANN

Typ / model: FZS 2002E 230V,500W

Výrobek je v souladu s níže uvedenými předpisy:

- ☼ Směrnice Evropského parlamentu a Rady 2006/95/ES ze dne 12.prosince 2006 o harmonizaci právních předpisů členských států týkajících se elektrických zařízení určených pro používání v určitých mezích napětí.
- ☼ Směrnice Evropského parlamentu a Rady 2004/108/ES ze dne 15. prosince 2004 o sbližování právních předpisů členských států týkajících se elektromagnetické kompatibility a o zrušení směrnice 89/336/EHS.
- ☼ Směrnice Evropského parlamentu a Rady 2006/42/ES ze dne 17. května 2006 o strojních zařízeních a o změně směrnice 95/16/ES.
- ☼ Směrnice Evropského parlamentu a Rady 2002/95/ES ze dne 27. ledna 2003 o omezení používání některých nebezpečných látek v elektrických a elektronických zařízeních.

a normami:

- ☼ EN 60335-1:2002+A11:2004+A1:2004+A12:2006+A2:06+A13:08
- ☼ EN 60335-2-91:2003
- ☼ EN 786:1996+A2:2009
- ☼ EN 50366:2003+A1:2006
- ☼ EN 60335-1:2002FPRAF:09PREN 60335-2-91:2007+FPRAA:09
- ☼ EN 55014-1:2000/A1:2001/A2:2002
- ☼ EN 55014-2:1997+A1:2001
- ☼ EN 61000-3-2:2000/A2:2005
- ☼ EN 61000-3-3:1995/A1:2001/A2:2005

Označení CE: 11

Společnost FAST ČR, a.s. je oprávněna jednat jménem výrobce.

Výrobce:

FAST ČR, a.s.
Černokostelecká 2111, 100 00 Praha 10, Česká republika
DIČ: CZ26726548

V Praze, 7.4.2011

Jméno: Ing. Zdeněk Pech
Předseda představenstva



Podpis a razítko:

12. LIKVIDACE

POKYNY A INFORMACE O NAKLÁDÁNÍ S POUŽITÝM OBALEM

Použitý obalový materiál odložte na místo určené obcí k ukládání odpadu.

LIKVIDACE POUŽITÝCH ELEKTRICKÝCH A ELEKTRONICKÝCH ZAŘÍZENÍ



Tento symbol na produktech anebo v průvodních dokumentech znamená, že použité elektrické a elektronické výrobky nesmí být přidány do běžného komunálního odpadu. Ke správné likvidaci, obnově a recyklaci předejte tyto výrobky na určená sběrná místa. Alternativně v některých zemích Evropské unie nebo jiných evropských zemích můžete vrátit své výrobky místnímu prodejci při koupi ekvivalentního nového produktu. Správnou likvidací tohoto produktu pomůžete zachovat cenné přírodní zdroje a napomáháte prevenci potenciálních negativních dopadů na životní prostředí a lidské zdraví, což by mohly být důsledky nesprávné likvidace odpadů. Další podrobnosti si vyžádejte od místního úřadu nebo nejbližšího sběrného místa. Při nesprávné likvidaci tohoto druhu odpadu mohou být v souladu s národními předpisy uděleny pokuty.

Pro podnikové subjekty v zemích Evropské unie

Chcete-li likvidovat elektrická a elektronická zařízení, vyžádejte si potřebné informace od svého prodejce nebo dodavatele. Likvidace v ostatních zemích mimo Evropskou unii Tento symbol je platný v Evropské unii. Chcete-li tento výrobek zlikvidovat, vyžádejte si potřebné informace o správném způsobu likvidace od místních úřadů nebo od svého prodejce.



Tento výrobek splňuje veškeré základní požadavky směrnic EU, které se na něj vztahují.

Změny v textu, designu a technických specifikacích se mohou měnit bez předchozího upozornění a vyhrazujeme si právo na jejich změnu.

Elektrická strunová sekačka

NÁVOD NA OBSLUHU

Ďakujeme vám, že ste si zakúpili túto strunovú kosačku na trávnu. Skôr, než ju začnete používať, prečítajte si prosím pozorne tento návod na obsluhu a uschovajte ho pre prípad ďalšieho použitia.

OBSAH

OBRAZOVÁ PRÍLOHA	3
1. VŠEOBECNÉ BEZPEČNOSTNÉ PREDPISY	34
Dôležité bezpečnostné upozornenia	
Obal	
Návod na použitie	
2. VYSVETLENIE ŠTÍTKOV S POKYNNI NA STROJI	35
3. POPIS STROJA A OBSAH DODÁVKY	36
4. BEZPEČNOSTNÉ POKYNY	36
5. POUŽITIE	37
6. POKYNY PRE MONTÁŽ	38
7. PREVÁDZKA	39
8. SPUSTENIE KOSAČKY	40
9. ÚDRŽBA	41
10. TECHNICKÉ ÚDAJE	41
11. VYHLÁSENIE O ZHODE	42
12. LIKVIDÁCIA	43

1. VŠEOBECNÉ BEZPEČNOSTNÉ PREDPISY

Dôležité bezpečnostné upozornenia


- ✿ Výrobok starostlivo vybalte a dajte pozor, aby ste nevyhodili žiadnu časť obalového materiálu skôr, ako nájdete všetky súčasti výrobku.
- ✿ Výrobok uschovávajúajte na suchom mieste mimo dosahu detí.
- ✿ Čítajte všetky upozornenia a pokyny. Zanedbanie pri dodržovaní varovných upozornení a pokynov môžu mať za následok úraz elektrickým prúdom, požiar a/alebo ťažké poranenia.

Obal

Výrobok je umiestnený v obale brániacom poškodeniu pri transporte. Tento obal je surovinou a je možné ho preto odovzdať na recykláciu.

Návod na použitie

Kým začnete so strojom pracovať, prečítajte si nasledujúce bezpečnostné predpisy a pokyny na používanie. Zoznámte sa s obslužnými prvkami a správnym používaním zariadenia. Návod starostlivo uschovajte pre prípad neskoršej potreby. Minimálne počas záruky odporúčame uschovať originálny obal vrátane vnútorného baliaceho materiálu, pokladničný doklad a záručný list. V prípade prepravy zabalte stroj späť do originálnej škatule od výrobcu, zaistíte si tak maximálnu ochranu výrobku pri prípadnom transporte (napr. sťahovaní alebo odoslaní do servisného strediska).

-  **Poznámka:** Ak odovzdávate stroj ďalším osobám, odovzdajte ho spoločne s návodom. Dodržiavanie priloženého návodu na obsluhu je predpokladom riadneho používania stroja. Návod na obsluhu obsahuje aj pokyny pre obsluhu, údržbu a opravy.

Výrobca nepreberá zodpovednosť za nehody alebo škody, ktoré vzniknú následkom nedodržiavania tohto návodu.

2. VYSVĚTLENIE ŠTÍTKOV S POKYNYMI NA STROJI



Varovanie!



Pred použitím si prečítajte návod na obsluhu.



Udržujte iné osoby v dostatočnej vzdialenosti!



Nepoužívajte v daždi alebo v mokru.



Vždy používajte ochranu očí.

3. POPIS STROJA A OBSAH DODÁVKY

Popis stroja (viz obr. 1)

- | | |
|-------------------------------------------------------|---------------------------------|
| 1 - Spínač | 8 - Ochranný kryt |
| 2 - Rukoväť | 9 - Struna |
| 3 - Nastaviteľná druhá rukoväť | 10 - Cievka so strunou |
| 4 - Skrutka na upevnenie druhej rukoväti | 11 - Ostrie na skrátenie struny |
| 5 - Teleskopická tyč na nastavenie pracovnej výšky | 12 - Odľahčovač káblového ťahu |
| 6 - Aretačné skrutky na upevnenie teleskopickkej tyče | 13 - Sieťová zástrčka |
| 7 - Hlava kosačky | 14 - Kolieska |

Obsah dodávky

Stroj vyberte opatrne z obalu a skontrolujte, či sú nasledujúce diely kompletne:

- ✿ Elektrická záhradná kosačka strunová
- ✿ Ochranný kryt
- ✿ Rukoväť so skrutkou na uchytenie
- ✿ Záručný list
- ✿ Návod na obsluhu

Pokiaľ diely chýbajú alebo sú poškodené, obráťte sa prosím na predajcu, od ktorého ste stroj zakúpili.

4. BEZPEČNOSTNÉ POKYNY

⚠ POZOR! Pri používaní tohto stroja dodržujte bezpečnostné pravidlá. Pre vašu bezpečnosť a bezpečnosť ostatných osôb si pred použitím tohto stroja láskavo prečítajte tieto pokyny. Uchovajte prosím tieto pokyny pre možné použitie v budúcnosti.

- ✿ Pri práci s týmto prístrojom noste bezpečnostné okuliare.
- ✿ Pri práci s týmto prístrojom noste rukavice.
- ✿ Nevystavujte tento prístroj dažďu alebo vysokej vlhkosti.
- ✿ Zoznámte sa s ovládaním a správnym použitím tejto kosačky.
- ✿ Nikdy nedovoľte deťom alebo osobám neoboznámeným s týmito pokynmi používať túto kosačku.
- ✿ Zabráňte deťom, ostatným osobám a domácim zvieratám približovať sa k tejto kosačke; tráva, ktorá sa pristriháva a rozlieta do okolia, môže obsahovať kamene alebo úlomky. Ak sú v blízkosti iné osoby, obzvlášť deti, zastavte používanie kosačky.

- ✿ Pri práci s kosačkou nedovoľte ostatným osobám alebo zvieratám priblížiť sa do vzdialenosti menšej ako 4,5 m.
- ✿ Kosačku vždy používajte iba pri dennom svetle alebo pri dobrom umelom osvetlení.
- ✿ Pred použitím kosačky alebo po akomkoľvek náraze ju vždy skontrolujte, či nevykazuje známky opotrebenia alebo poškodenia, a ak je potrebné, opravte ju. Nepoužívajte kosačku, ak nie je rezný nástroj správne zaistený alebo je poškodený.
- ✿ Vždy skontrolujte, či je kosačka v dobrom pracovnom stave; ak nie je, môže to ohroziť používateľa.
- ✿ Pri používaní strunovej kosačky vždy používajte ochranné kryty.
- ✿ Nepoužívajte kosačku, ak sú ochranné kryty poškodené.
- ✿ Odstráňte z pracovného priestoru kamene, kovové čiastočky, korene, ostatné tvrdé predmety a plastové vrecká, nylonové šnúry a iné predmety, ktoré nemožno rozsekať.
- ✿ Pred naštartovaním kosačky sa uistite, že sa nylonový nôž nedotýka kameňov alebo úlomkov.
- ✿ Nikdy nepribližujte ruky a nohy do priestoru pokosu a obzvlášť vtedy, keď štartujete motor.
- ✿ Chráňte sa pred poranením spôsobeným rezným ostrím v dĺžke reznej struny. Po natiiahnutí novej reznej struny, pred spustením, vždy vráťte kosačku do jej normálnej prevádzkovej polohy.
- ✿ Nepoužívajte kovové rezné prvky.
- ✿ Nepoužívajte náhradné súčiastky alebo doplnky nedodané alebo neodporúčané výrobcom.
- ✿ Vždy zaistíte, aby boli vetracie otvory zbavené úlomkov.
- ✿ Aby ste zamedzili neúmyselnému spusteniu, neprenášajte stroj s prstom na spínači na zapnutie/vypnutie.
- ✿ Pri práci s kosačkou udržiavajte stabilnú a bezpečnú pozíciu.
- ✿ Oblasť, na ktorej budete pracovať, zbavte drôtov, kameňov a úlomkov.
- ✿ Nesekejte tvrdé predmety. To by mohlo spôsobiť úraz alebo poškodenie kosačky.

⚠ POZOR! Rezné prvky sa po vypnutí motora ďalej otáčajú!

- ✿ Nepokúšajte sa zastaviť rezný nástroj (nylonovú strunu) rukami. Vždy ju nechajte, až kým sa zastaví sama.
- ✿ Nepoužívajte kosačku na kosenie trávy, ktorá sa nedotýka zeme, napríklad trávy na múrikoch alebo skalkách atď.
- ✿ Neprechádzajte cez cesty alebo štrkové chodníky s kosačkou stále v chode.

5. POUŽITIE

- ✿ Táto strunová kosačka je určená na pristrihávanie trávy.
- ✿ Nepoužívajte na žiadny iný účel.
- ✿ Tento prístroj je určený iba na domáce použitie.

6. POKYNY PRE MONTÁŽ

Pre vašu bezpečnosť

⚠ POZOR! Pred vykonávaním akéhokoľvek nastavovania odpojte zástrčku pohonnej jednotky od napájacieho zdroja.

Zvoľte pracovnú pozíciu na pristrihávanie (obr. 2)

Je tu možnosť 3 pracovných pozícií (A, B, C):

- ✿ Pracovná pozícia A je na pristrihávanie trávnik. Montážny celok s kolesom môže byť použitý, alebo nemusí.
- ✿ Pracovná pozícia B je na pristrihávanie okrajov. Je nutné použiť montážny celok s kolesom.
- ✿ Pracovná pozícia C je tiež na pristrihávanie okrajov. Nepoužívajte montážny celok s kolesom.

Inštalácia ochranného krytu (obr. 3)

- ✿ Odstráňte dve skrutky (1) z plášťa strunovej kosačky (obr. 3/B).
- ✿ Umiestnite kryt motora tak, aby unášač strunovej hlavy smeroval nahor (obr. 3/A).
- ✿ Nasuňte ochranný kryt (2) cez kryt motora (obr. 3/A).
- ✿ Vložte dve skrutky späť do hlavy kosačky cez otvory v ochrannom kryte a utiahnite ich, ako je zobrazené na obr. 3/B.


Skontrolujte nylonové struny (obr. 4)

- ✿ Pred prvým spustením strunovej kosačky skontrolujte, či sa nylonové struny dotýkajú rezného noža alebo ho obchádzajú. Ak nie sú dostatočne dlhé (1), stlačte tlačidlo (2). Vytiahnite viac nylonového vlákna, aby sa predĺžilo. (obr. 4/A)
- ✿ Predĺžená nylonová struna sa automaticky oreže na správnu veľkosť rezným nožom, hneď ako kosačku zapnete.
- ✿ Používaním sa nylonová struna skráti alebo opotrebuje. Pre automatické predĺženie alebo posunutie nylonovej reznej struny klepnite tlačidlom cievky (3) ľahko o zem (za chodu stroja) (obr. 4/B).

Tieto úkony by ste mali niekoľkokrát zopakovať pred začatím práce, aby ste sa uistili, či všetko funguje správne a aby ste sa zoznámili s kosačkou. Začínajte pomaly, až keď získate skúsenosti, budete môcť využívať plný potenciál strunovej kosačky.

Výmena cievky nylonovej struny

- ✿ Obráťte stroj hore nohami.
- ✿ Stlačte uvoľňovacie jazýčky na veko strunového hrdla, ako je znázornené na obr. 5, a odstráňte veko jeho vytiahnutím.

- ✿ Vyberte cievku z nástroja a odstráňte a zahodte všetku strunu na cievke.
 - ✿ Prestrčte koniec struny cez otvor v hrdle cievky, viď obr. 6. Uistite sa, že pružina je na svojom mieste pod cievkou. Umiestnite cievku do hrdla a pri tom preťahujte strunu otvorom, aby ste zaisťovali dostatočné napätie, ako vidíte na obrázku 6.
-  **Poznámka:** Vnútri hlavy je pružina, ktorá sa môže ľahko stratiť. Uistite sa, že je na bezpečnom mieste.
- ✿ Jemne tlačte cievku smerom nadol na pružinu a otáčajte ňou, kým nepocítite, že zapadla na miesto. Dávajte pozor, aby sa struna nezachytila pod cievkou.
 - ✿ Zacvaknite veko hrdla naspäť, dajte prístroj do pracovnej pozície a zapnite ho. Za pár sekúnd budete počuť, ako sa nylonová struna nareže na správnu dĺžku, ak nie, klepnite hlavou ľahko o zem, aby ste uvoľnili potrebnú dĺžku struny.

Pripevnenie nastaviteľných rukovätí (obr. 7)


- ✿ Otočte gombíkom rukoväti (3) a vytiahnite skrutku (2) nastaviteľnej rukoväti (1).
- ✿ Vložte nastaviteľnú rukoväť (1) do rukoväti prístroja.
- ✿ Vložte späť skrutku (2) a gombík rukoväti (3), potom gombík ľahko utiahnite.
- ✿ Pred úplným utiahnutím gombíka (3) natočte nastaviteľnú rukoväť (1) do požadovaného uhla. Keď je nastaviteľná rukoväť (1) v požadovanom uhle, riadne utiahnite gombík rukoväti (3).

Inštalácia montážneho celku s kolesom (obr. 8)

POZOR!

- ✿ Montážny celok s kolesom (1) môžete alebo nemusíte používať na pristihávanie trávy (pracovná pozícia A).
 - ✿ Montážny celok s kolesom (1) musíte používať na pristihávanie okrajov (pracovná pozícia B).
 - ✿ Montážny celok s kolesom (1) nemôžete používať na pristihávanie trávy (pracovná pozícia C).
- ✿ Pri nasadzovaní doplnkového montážneho celku s kolesom (1) na vedenie (2) držiaka rukoväti budete počuť zacvaknutie zaisťovacieho zámku na svoje miesto na jednej strane.
 - ✿ Na odstránenie doplnkového montážneho celku s kolesom zatlačte na tlačidlo „PUSH“ a vytiahnite doplnkový celok s kolesom z vedenia (2) držiaka rukoväti.

7. PREVÁDZKA

-  **POZOR! NEBEZPEČENSTVO ZRANENIA!** Nebezpečenstvo úrazu, ak sa strunová kosačka nevypne, keď uvoľníte spúšťacie tlačidlo. Nikdy nepremosťujte bezpečnostné zariadenia (napríklad napojením spúšťacieho tlačidla na rukoväť).

Nastavenie uhlu hlavy kosačky (obr. 9)

- ☼ Uhol hlavy kosačky možno nastaviť na 4 rôzne pracovné pozície.
- ☼ Zatlačte na tlačidlo „PUSH“ jednou rukou a otočte hlavou kosačky do žiadanej polohy. Tlačidlo „PUSH“ automaticky zaistí rukoväť.

Nastavenie dĺžky a uhlu rukoväti (obr. 10)

- ☼ Otáčajte upínacou objímkou (A) v smere uvoľňovania („UNLOCK“) a predĺžte hornú časť rukoväti na požadovanú dĺžku. Potom otočte upínacím krúžkom (A) v smere zablokovania („LOCK“) a pevne utiahnite.
- ☼ Zatiahnite uzamykaciu skrutku (B) hore v smere „1“. Otočte hornú časť rukoväti v smere „2“ do pracovnej pozície 0°, 90°, 180°. Pracovná pozícia 0° je iba na prístrihávajúce trávniky. Pracovné pozície 90° a 180° sú iba na prístrihávajúce okraje.

Nastavenie uhlu nastaviteľnej rukoväti (obr. 11)

- ☼ Uvoľnite zaisťovacie tlačidlo a otočte nastaviteľnú rukoväť do požadovanej pozície.
- ☼ Je tu 7 pracovných pozícií.
- ☼ Potom zaisťovacie tlačidlo pevne utiahnite.

Nastavenie uhla montážneho celku s kolesom (obr. 12)

- ☼ Uvoľnite zaisťovacie tlačidlo a otočte montážnym celkom do žiadanej pozície.
- ☼ Pozície „1“, „2“, „3“ sú pracovné pozície.
- ☼ Ak celok s kolesom nepoužívate, môžete ho odňať alebo nastaviť pozíciu „4“.

Nastavenie ochranného krytu (obr. 13)

- ☼ Pozícia „1“ je parkovacia pozícia, „2“ je pracovná pozícia.
- ☼ Otočte ochranný kryt (A) do žiadanej pozície tak, že zapadne na miesto.

8. SPUSTENIE KOSAČKY (obr. 14)

Zapnutie kosačky

- ☼ Stlačte a podržte bezpečnostné uvoľňovacie tlačidlo (A) a potom stlačte spúšťacie tlačidlo (B) na rukoväti.
- ☼ Opäť uvoľnite bezpečnostné uvoľňovacie tlačidlo (A).

Vypnutie kosačky

- ☼ Uvoľnite spúšťacie tlačidlo (B) na rukoväti.

⚠ POZOR! NEBEZPEČENSTVO ZRANENIA! Rezné prvky sa po vypnutí motora ďalej otáčajú. Nepokúšajte sa zastaviť rezný nástroj (nylonovú strunu) rukami. Vždy ju nechajte, až kým sa zastaví sama.

📖 Poznámka: Rada: Ak pristihávate trávnik v pracovnej pozícii A, aby to išlo lepšie, uhol medzi nožmi a úrovňou pôdneho horizontu by mal byť nastavený na približne 10°. Pri pristihávaní môžete držať stroj a pohybovať s ním zľava doprava a potom sprava doľava. Týmto spôsobom dosiahnete lepší účinok. (Obr. 15).

9. ÚDRŽBA

- ✿ Struna kosačky môže časom vyschnúť. Aby ste ju udržovali stále vo výbornom stave, skladujte náhradné predvinuté cievky alebo voľnú strunu v plastovom vrecku s lyžičkou vody.
- ✿ Na čistenie prístroja vyberte batériu a používajte iba jemné mydlo a vlhkú handričku. Neponárajte prístroj do vody, ani ho neostriekavajte hadicou. Nedovoľte, aby sa dovnútra dostala akákoľvek tekutina. Nečistite tlakovou vodou.
- ✿ Strunový rezač na okraji ochranného krytu sa môže po čase otupiť. Odporúčame pravidelne obnovovať ostrosť pilníkom.

10. TECHNICKÉ ÚDAJE

Napätie/Frekvencia	230-240V~/50Hz
Vstupný výkon	500W
Otáčky voľnobehu	11 000/min
Šírka pokosu	300mm

Návod na použitie – len jazyková mutácia.

11. VYHLÁSENIE O ZHODE

Výrobok/značka: ELEKTRICKÁ KOSAČKA STRUNOVÁ / FIELDMANN

Typ / model: FZS 20021 230V, 500W

Výrobok je v súlade s nižšie uvedenými predpismi:

- ☼ Smernica Európskeho parlamentu a Rady 2006/95/ES z 12. decembra 2006 o harmonizácii právnych predpisov členských štátov týkajúcich sa elektrického zariadenia určeného na používanie v rámci určitých limitov napätia
- ☼ Smernica Európskeho parlamentu a Rady 2004/108/ES z 15. decembra 2004 o aproximácii právnych predpisov členských štátov vzťahujúcich sa na elektromagnetickú kompatibilitu a o zrušení smernice 89/336/EHS.
- ☼ Smernica Európskeho parlamentu a Rady 2006/42/ES zo 17. mája 2006 o strojových zariadeniach a o zmene a doplnení smernice 95/16/ES.
- ☼ Smernica Európskeho parlamentu a Rady 2002/95/ES z 27. januára 2003 o obmedzení používania určitých nebezpečných látok v elektrických a elektronických zariadeniach.

a normami:

- ☼ EEN 60335-1:2002+A11:2004+A1:2004+A12:2006+A2:06+A13:08
- ☼ EN 60335-2-91:2003
- ☼ EN 786:1996+A2:2009
- ☼ EN 50366:2003+A1:2006
- ☼ EN 60335-1:2002FPRAF:09PREN 60335-2-91:2007+FPRAA:09
- ☼ EN 55014-1:2000/A1:2001/A2:2002
- ☼ EN 55014-2:1997+A1:2001
- ☼ EN 61000-3-2:2000/A2:2005
- ☼ EN 61000-3-3:1995/A1:2001/A2:2005

Označenie CE: 11

Spoločnosť FAST ČR, a.s. je oprávnená konať menom výrobcu.

Výrobca:

FAST ČR, a.s.

Černokostelecká 2111, 100 00 Praha 10, Česká republika

DIČ: CZ26726548

V Prahe, 07.4.2011

Meno: Ing. Zdeněk Pech

Predseda predstavenstva



Podpis a pečiatka:

12. LIKVIDÁCIA

POKYNY A INFORMÁCIE O ZAOBCHÁDZANÍ S POUŽITÝM OBALOM

Použitý obalový materiál odložte na miesto určené obcou na ukladanie odpadu.

LIKVIDÁCIA POUŽITÝCH ELEKTRICKÝCH A ELEKTRONICKÝCH ZARIADENÍ



Tento symbol na produktoch alebo v sprievodných dokumentoch znamená, že použité elektrické a elektronické výrobky sa nesmú pridávať do bežného komunálneho odpadu. Na správnu likvidáciu, obnovu a recykláciu odovzdajte tieto výrobky na určené zberné miesta. V niektorých krajinách Európskej únie alebo iných európskych krajinách môžete vrátiť svoje výrobky miestnemu predajcovi pri kúpe ekvivalentného nového produktu. Správnou likvidáciou tohto produktu pomôžete zachovať cenné prírodné zdroje a napomáhate prevencii potenciálnych negatívnych dopadov na životné prostredie a ľudské zdravie, čo by mohlo byť dôsledkom nesprávnej likvidácie odpadov. Ďalšie podrobnosti si vyžiadajte od miestneho úradu alebo najbližšieho zberného miesta. Pri nesprávnej likvidácii tohto druhu odpadu môžu byť v súlade s národnými predpismi udelené pokuty.

Pre podnikové subjekty v krajinách Európskej únie

Ak chcete likvidovať elektrické a elektronické zariadenia, vyžiadajte si potrebné informácie od svojho predajcu alebo dodávateľa.

Likvidácia v ostatných krajinách mimo Európskej únie

Tento symbol je platný v Európskej únii. Ak chcete tento výrobok zlikvidovať, vyžiadajte si potrebné informácie o správnom spôsobe likvidácie od miestnych úradov alebo od svojho predajcu.



Tento výrobok spĺňa všetky základné požiadavky smerníc EÚ, ktoré sa naň vzťahujú.

Zmeny v texte, dizajne a technických špecifikáciách sa môžu meniť bez predchádzajúceho upozornenia a vyhradujeme si právo na ich zmenu.

Elektromos szegélynyíró

HASZNÁLATI ÚTMUTATÓ

Köszönjük, hogy cégünk elektromos szegélynyírójának megvásárlása mellett döntött. Mielőtt használatba venné, kérjük, olvassa el figyelmesen ezt a használati útmutatót, majd őrizze meg, hogy később bármikor újraolvashassa.

TARTALOM

KÉPMELLÉKLET	3
1. ÁLTALÁNOS BIZTONSÁGI RENDELKEZÉSEK	46
Fontos biztonsági figyelmeztetések	
Csomagolás	
Használati útmutató	
2. A GÉPEN TALÁLHATÓ CÍMKÉK UTASÍTÁSAINAK ISMERTETÉSE	47
3. A GÉP BEMUTATÁSA ÉS A CSOMAGOLÁS TARTALMA	48
4. BIZTONSÁGI UTASÍTÁSOK	48
5. HASZNÁLAT	50
6. ÖSSZESZERELÉS	50
7. ÜZEMELTETÉS	52
8. A SZEGÉLYNYÍRÓ BEINDÍTÁSA	53
9. KARBANTARTÁS	53
10. MŰSZAKI ADATOK	53
11. MEGFELELŐSÉGI NYILATKOZAT	54
12. MEGSEMMSÍTÉS	55

1. ÁLTALÁNOS BIZTONSÁGI ELŐÍRÁSOK

Fontos biztonsági figyelmeztetések


- ✿ Figyelmesen csomagolja ki a terméket, és ügyeljen arra, hogy ne dobja ki a csomagolás semelyik részét mindaddig, amíg meg nem találta a termék valamennyi alkotóelemét.
- ✿ A terméket száraz helyen, gyermekektől távol tartsa.
- ✿ Olvassa el az összes figyelmeztetést és utasítást. A figyelmeztetések be nem tartás áramütéshez, tűzhoz és/vagy súlyos sérülésekhez vezethet.

Csomagolás

A csomagolóanyag szállítás közben óvja a terméket. Ez a csomagolás nyersanyag, ezért újrahasznosítás céljával leadható.

Használati útmutató

Mielőtt megkezdene a munkavégzést a készülékkel, olvassa el figyelmesen a következő biztonsági és használati utasításokat. Ismerkedjen meg a gép kezelőszerveivel, és a helyes használat szabályaival. A használati útmutató őrizze meg egy esetleges későbbi újraolvasáshoz. A csomagolóanyagot, beleértve a belső csomagolóanyagot, a pénztárblokkot és a jótállási jegyet is, ajánlott legalább a jótállás érvényessége alatt megőrizni. Szállítás esetén csomagolja vissza a készüléket a gyártótól kapott eredeti dobozba, így biztosíthatja a termék esetleges szállítás közbeni maximális védelmét (pl. költözés vagy szervizbe küldés).

 **Megjegyzés:** Amennyiben a készüléket más személyeknek kívánja átadni, mellékelje a használati útmutatót is. A mellékelt használati útmutató betartása a sövénynyíró előírászerű használatának előfeltétele. A használati útmutató egyben használati, kezelési és javítási utasításokat is tartalmaz.

A gyártó nem felel a jelen használati útmutató be nem tartása következtében felmerült sérülésekért vagy károkért.

2. A GÉPEN TALÁLHATÓ CÍMKÉK UTASÍTÁSAINAK ISMERTETÉSE



Figyelem!



Használat előtt olvassa el
figyelmesen a használati útmutatót.



Tartsa a közelben tartózkodó
személyeket biztonságos
távolságban!



Ne használja esőben,
nedves környezetben.



Mindig használjon szemvédőt.

3. A GÉP BEMUTATÁSA ÉS A CSOMAGOLÁS TARTALMA

A gép bemutatása (lásd az 1. képet)

1 - Kapcsoló	8 - Védőburkolat
2 - Markolat	9 - Damil
3 - Beállítható másik markolat	10 - Damil orsó
4 - Markolatrögzítő csavar	11 - Damilvágó
5 - Munkamagasság beállító kihúzható rúd	12 - Kábeltartó fül
6 - Kihúzható rúd rögzítő csavar	13 - Csatlakozódugó
7 - Vágófej	14 - Kerekek

A csomagolás tartalma

Emelje ki óvatosan a gépet a csomagolásból, és ellenőrizze le, hogy az alább ismertetett részek mindegyike megtalálható benne:

- ✿ Elektromos kerti szegélynyíró
- ✿ Védőburkolat
- ✿ Markolat rögzítő csavarral
- ✿ Jótállási jegy
- ✿ Használati útmutató

Abban az esetben, ha bizonyos részek hiányoznak, vagy sérültek, forduljon a gép eladóójához.

4. BIZTONSÁGI UTASÍTÁSOK

⚠ FIGYELEM! A gép használata során tartsa be a biztonsági előírásokat. A saját biztonsága, illetve a közelben tartózkodó többi személy biztonsága érdekében a gép használatba vétele előtt olvassa el a jelen használati útmutatót. Az útmutatót a későbbi újraolvasáshoz őrizze meg.

- ✿ A készülékkel folytatott munkavégzés során használjon védőszemüveget.
- ✿ A készülékkel folytatott munkavégzés során használjon munkakesztyűt.
- ✿ Ne tegye ki a készüléket eső, nedvesség hatásának.
- ✿ Ismerkedjen meg a szegélynyíró kezelésével és helyes használatával.
- ✿ Ne engedje, hogy a szegélynyírót gyermekek, vagy a készülék használati útmutatójával meg nem ismerkedő személyek használják.

- ✿ Ne engedje meg, hogy a bekapcsolt szegélynyíróhoz kisgyermek, hivatlan személyek vagy háziállatok közelítsenek; fűnyírás közben a készülék apró kavicsokat, törmeléket dobhat ki. Ha a közelben hivatlan személyek, különösen kisgyermek tartózkodnak, kapcsolja ki a szegélynyíró.
- ✿ A szegélynyíróval végzett munka során ne engedje, hogy hivatlan személyek, háziállatok 4,5 méternél közelebb kerüljenek a géphez.
- ✿ A szegélynyíró kizárólag jó természetű látási viszonyok, vagy megfelelő megvilágítás esetén használja.
- ✿ Használatba vétel előtt, illetve bármilyen ütődés esetén ellenőrizze le, nem sérült-e meg a készülék, és szükség esetén javítsa meg. Soha ne használja a szegélynyíró, ha a vágószerző nincs megfelelően rögzítve, vagy sérült.
- ✿ Rendszeresen ellenőrizze le, hogy a szegélyvágó műszaki állapota megfelelő; ellenkező esetben veszélyt jelenthet a felhasználó részére.
- ✿ Damilos szegélyvágó használat esetén minden esetben győződjön meg arról, hogy a védőburkolatok a helyükön vannak.
- ✿ Soha ne használja a szegélynyíró, ha sérültek a védőburkolatok.
- ✿ Távolítsa el a munkaterületről a köveket, fémekeket, gyökereket, egyéb kemény tárgyakat, műanyag zacskókat, nylonhuzalokat és más nem vágható tárgyakat.
- ✿ A szegélynyíró beindítása előtt győződjön meg róla, hogy a damil nem ér kövekhez, sem szilárd törmelékhez.
- ✿ Soha ne helyezze a kezét, lábát a vágóterbe, különösen ne a motor beindításakor.
- ✿ Ügyeljen arra, hogy a damil ne okozhasson vágási sérülést. Új damil kihúzásakor, beindítás előtt mindig állítsa vissza kiindulási pozícióba a szegélynyíró.
- ✿ Soha ne használjon fém vágóeszközöket.
- ✿ Ne használjon nem gyári, vagy nem a gyártó által ajánlott pótalkatrészeket.
- ✿ Rendszeresen ellenőrizze, hogy a szellőzőnyílások hulladéktól, törmeléktől mentesek.
- ✿ A nemkívánatos beindítás megelőzése érdekében soha ne szállítsa a gépet úgy, hogy közben az ujját a főkapcsolón tartja.
- ✿ A géppel végzett munka során törekedjen a stabil, biztonságos testtartásra.
- ✿ A leendő munkaterületet tisztítsa meg a kövektől, huzaloktól, építési törmeléktől.
- ✿ Ne akarjon kemény tárgyakat elvágni. Ellenkező esetben baleset veszélye áll fenn, vagy a szegélyvágó megsérülhet.

⚠ FIGYELEM! A motor kikapcsolását követően a vágó részek tovább forognak!

- ✿ Soha ne próbálja a vágószerzőt (damilt) kézzel megállítani. Minden esetben várja meg, amíg magától meg nem áll.
- ✿ Soha ne használja a szegélyvágót nem földön növény (pl. falakon, sziklákon sarjadó növényzet stb.) nyírására
- ✿ Ne keresztezen kavicsos utakat bekapcsolt állapotú szegélyvágóval.

5. HASZNÁLAT

- ✿ Ez a damilos szegélyvágó fűvágásra alkalmas.
- ✿ Soha semmilyen más célra ne használja.
- ✿ A készülék kizárólag háztartási használatra alkalmas.

6. ÖSSZESZERELÉS

Biztonsági rendelkezések

⚠ FIGYELEM! Bármilyen beállítás előtt húzza ki a csatlakozódugót a konnektorból.

Válassza ki a kívánt munkavégzési pozíciót (2. ábra)

3 munkavégzési pozíció közül választhat (A, B, C):

- ✿ A munkavégzési pozíció fűnyíráshoz. A kerekes egység használatára lehetőség nyílik, ugyanakkor nem kötelező.
- ✿ B munkavégzési pozíció szegélynyíráshoz. A kerekes egység használata kötelező.
- ✿ C munkavégzési pozíció szintén szegélynyíráshoz. Ne használja a kerekes egységet.

A védőburkolat telepítése (3. ábra)


- ✿ Távolítsa el a szegélynyíró burkolatán található két csavart (1) (3/B ábra).
- ✿ Helyezze a motorburkolatot úgy, hogy a damilfej-menesztő felfelé nézzen (3/A ábra).
- ✿ Tolja a motorburkolaton keresztül a helyére a védőburkolatot (2) (3/A ábra).
- ✿ Helyezze vissza a két csavart a szegélynyíró fejébe a védőburkolat nyílásain keresztül, majd húzza meg őket a 3/B ábrán látható módon.

Ellenőrizze le a damilokat (4. ábra)

- ✿ A szegélynyíró első bekapcsolása előtt ellenőrizze le, hogy a damilok hozzáérnek-e a vágóélhez, vagy elkerülik azt. Ha nem elég hosszúk, (1) nyomja be a gombot (2). a meghosszabbításhoz húzzon ki további damilt. (4/A ábra)
- ✿ A meghosszabbított damilt a gép bekapcsolását követően a vágóél automatikusan a helyes hosszra rövidíti.
- ✿ A damil a használat során lerövidül vagy elkopik. A damil automatikus meghosszabbításához kopogtassa az orsó gombját (3) enyhén a földhöz (bekapcsolt állapotban) (4/B ábra).

E műveleteket a munka megkezdése előtt ismételten többször is ajánlott elvégezni annak érdekében, hogy meggyőződjön róla, minden helyesen működik, illetve a szegélynyíróval való megismerkedés érdekében. A fűnyírást lassan végezze mindaddig, amíg megfelelő tapasztalatokra nem tesz szert a damilos szegélynyíró használatára terén.

A damilorsó cseréje

- ✿ Fordítsa fel a gépet.
 - ✿ Oldja meg a damilcsonk fedelén látható rögzítő nyelveket, amint azt az 5. képen látja, majd húzza le a fedelet.
 - ✿ Vegye ki az orsót a szerszámból, majd távolítsa el az orsón található damilt.
 - ✿ Dugja át a damil végét az orsócsonk nyílásán, lásd a 6. ábrát. Ellenőrizze le, hogy a rugó az orsó alatt a helyén található. Helyezze az orsót a csonkba, és közben húzza át a húrt a nyíláson, hogy a 6. képen látható módon megfelelően megfeszüljön.
-  **Megjegyzés:** A fejben egy rugó található, amely könnyedén elveszhet. Ellenőrizze le, hogy biztonságos helyen található.
- ✿ Nyomja rá enyhét az orsót a rugóra, és forgassa el, amíg azt nem érzi, hogy beugrott a helyére. Ügyeljen arra, hogy a damil ne akadjon be az orsó alatt.
 - ✿ Kattints vissza a helyére a csonk fedelét, állítsa munkaadásba a gépet, és kapcsolja be. Pár másodperc múlva hallható, ahogy a damil megfelelő hosszúságúra vágja a fűvet; ha nem, a damil megfelelő hosszának beállításához koppintsa finoman a fejet a földhöz.

A beállítható markolatok rögzítése (7. ábra)

- ✿ Forgassa el a markolat gombját (3), és vegye ki a beállítható markolat (1) csavarját (2).
- ✿ Illessze a beállítható markolatot (1) a készülék markolatába.
- ✿ Helyezze vissza a csavart (2) és a markolat gombját (3), majd enyhén húzza meg a gombot.
- ✿ A gomb (3) teljes meghúzása előtt forgassa el a beállítható markolatot (1) a kívánt szögbe. Ha a beállítható markolat (1) a kívánt szögben áll, húzza meg a markolat gombját (3).

A kerekese egység telepítése (8. ábra)

FIGYELEM!

- ✿ A kerekese egység (1) használata fűnyíráskor (A munkaadás) lehetséges, de nem kötelező.
- ✿ A kerekese egység (1) használata szegélynyíráskor (B munkaadás) kötelező.
- ✿ A kerekese egység (1) használata fűnyíráskor (C munkaadás) nem lehetséges.
- ✿ A kiegészítő kerekese egység (1) markolattartó vezetékere (2) szerelésekor hallható, ahogyan az egyik oldalon a rögzítőzár a helyére kattan.
- ✿ A kiegészítő kerekese egység leszerelésekor nyomja meg a „PUSH” gombot, majd húzza le a kerekese egységet a markolattartó vezetékéről (2).

7. ÜZEMELTETÉS

⚠ FIGYELEM! BALESETVESZÉLY! Baleset veszélye áll fenn, ha a damilos szegélynyíró nem kapcsol ki, amikor elengedi az indítógombot. Soha ne iktassa ki a biztonsági berendezést (például az indítógomb markolatra csatlakoztatásával).

A szegélynyíró-fej szögének beállítása (9. ábra)

- ✿ A szegélynyíró-fej szöge 4 különböző munkaállásba állítható.
- ✿ Nyomja be az egyik kezével a „PUSH” gombot, és forgassa el a szegélyvágó fejét a kívánt állásba. A „PUSH” gomb automatikusan rögzíti a markolatot.

A markolat hosszának és szögének beállítása (10. ábra)

- ✿ Forgassa el a rögzítő foglalatot (A) a kioldás irányába („UNLOCK”), majd hosszabbítsa meg a markolat felső részét a kívánt hosszra. Ezt követően forgassa el a rögzítő foglalatot (A) a zárás („LOCK”) irányába, és jól húzza meg.
- ✿ Húzza meg a záró csavart (B) az „1” irányba. Forgassa el a markolat felső részét a „2” irányba, egészen a 0°, 90°, 180° munkaállásig. A 0° munkaállás kizárólag fűnyírásra alkalmas. A 90° és 180° munkaállás kizárólag szegélynyírásra alkalmas.

A beállítható markolat szögének beállítása (11. ábra)

- ✿ Oldja meg a rögzítőgombot, és forgassa el a beállítható markolatot a kívánt állásba.
- ✿ Itt 7 munkaállás áll rendelkezésre.
- ✿ Ezt követően jól húzza meg a rögzítőgombot.

A kerekes egység szögének beállítása (12. ábra)

- ✿ Oldja meg a rögzítőgombot, és forgassa el az egységet a kívánt szögbe.
- ✿ Az „1”, „2”, „3” állások munkaállások.
- ✿ Ha nem használja a kerekes egységet, vegye le vagy állítsa „4” állásba.

A védőburkolat beállítása (13. ábra)

- ✿ Az „1” állás parkoló állás, a „2” állás munkaállás.
- ✿ Forgassa el a védőburkolatot (A) a kívánt állásba, amíg a helyére nem ugrik.

8. A SZEGÉLYVÁGÓ BEINDÍTÁSA (14. ábra)

A szegélynyíró bekapcsolása

- ✿ Nyomja be és tartsa benyomva a biztonsági kioldó gombot (A), majd nyomja be a markolaton található indítógombot (B).
- ✿ Engedje ismét el a biztonsági kioldó gombot (A).

A szegélynyíró kikapcsolása

- ✿ Engedje el a markolaton lévő indítógombot (B).

⚠ FIGYELEM! SÉRÜLÉSVESZÉLY! A kikapcsolást követően a motor vágóelemei tovább forognak. Soha ne próbálja a vágószerszámot (damilt) kézzel megállítani. Minden esetben várja meg, amíg magától meg nem áll.

📖 Megjegyzés: Tanács: Ha fűvet vág A munkaállásban, a könnyebb munkavégzés érdekében állítsa megközelítőleg 10° -ra az élek és a talajszint közötti szöveget. Fűnyíráskor tartsa a gépet, és balról jobbra majd jobbról balra mozgassa. Így jobb hatásfokkal végezheti a munkát. (15. ábra).

9. KARBANTARTÁS

- ✿ A szegélynyíró damilja idővel kiszáradhat. Annak érdekében, hogy tartósan kitűnő állapotú damilt használhasson, tartson pótorsókat vagy szabad damilt egy kanál vizet tartalmazó műanyag zacskóban.
- ✿ A készülék megtisztítása előtt vegye ki az akkumulátort, majd kizárólag lágy tisztítószer és nedves ruhadarabot használjon. Ne merítse a gépet vízbe, és ne permetezze le vízzel. Ne engedje, hogy bármilyen víz jusson a gépbe. Ne tisztítsa nyomás alatt lévő erős vízsugárral.
- ✿ A védőburkolat szélén a damilvágó idővel elkophat. Ajánlott reszelővel rendszeresen megélezni.

10. MŰSZAKI ADATOK

Feszültség/Frekvencia	230-240V~/50Hz
Kimenő teljesítmény	500W
Üresjárat fordulatszám	11000/min
Vágási szélesség	300mm

Használati útmutató - nyelvi változat.

11. MEGFELELŐSÉGI NYILATKOZAT

Termék / márka: ELEKTROMOS SZEGÉLYNYÍRÓ / FIELDMANN

Typ / model: FZS 2002-E 230V,500W

A termék megfelel az alább ismertetett előírásoknak:

- ☼ Az Európai Parlament és a Tanács 2006/95/ek irányelve (2006. december 12.) a meghatározott feszültséghatáron belüli használatra tervezett elektromos berendezésekre vonatkozó tagállami jogszabályok összehangolásáról.
- ☼ Az Európai Parlament és a Tanács 2004/108/EK irányelve (2004. december 15.) az elektromágneses összeférhetőségre vonatkozó tagállami jogszabályok közelítéséről és a 89/336/EGK irányelv hatályon kívül helyezéséről.
- ☼ Az Európai Parlament és a Tanács 2006/42/EK irányelve (2006. május 17.) a gépekről és a 95/16/EK irányelv módosításáról.
- ☼ Az Európai Parlament és a Tanács 2002/95/ek irányelve (2003. január 27.) egyes veszélyes anyagok elektromos és elektronikus berendezésekben való alkalmazásának korlátozásáról.

és szabványoknak:

- ☼ EN 60335-1:2002+A11:2004+A1:2004+A12:2006+A2:06+A13:08
- ☼ EN 60335-2-91:2003
- ☼ EN 786:1996+A2:2009
- ☼ EN 50366:2003+A1:2006
- ☼ EN 60335-1:2002FPRAF:09PREN 60335-2-91:2007+FPRAA:09
- ☼ EN 55014-1:2000/A1:2001/A2:2002
- ☼ EN 55014-2:1997+A1:2001
- ☼ EN 61000-3-2:2000/A2:2005
- ☼ EN 61000-3-3:1995/A1:2001/A2:2005

CE jelzet: 11

A FAST ČR, a.s. a gyártó nevében eljárni jogosult személy.

Gyártó:

FAST ČR, a.s.
Černokostelecká 2111, 100 00 Prága 10, Cseh Köztársaság
ASZ: CZ26726548

Kelt Prágában, 2011. 04. 07.

Név: Ing. Zdeněk Pech
Az igazgatóság elnöke



Alíráás és bélyegzők:

12. MEGSEMMISÍTÉS

UTASÍTÁSOK ÉS TÁJÉKOZTATÓ A HASZNÁLT CSOMAGOLÓANYAG KEZELÉSÉRŐL.

A használt csomagolóanyagot helyezze a község által erre a célra kijelölt hulladékgyűjtőbe.

A HASZNÁLT ELEKTROMOS ÉS ELEKTRONIKUS BERENDEZÉSEK LIKVIDÁLÁSA



A termékeken vagy a kísérő dokumentumokban levő jel azt jelzi, hogy a használt elektromos és elektronikus termékeket tilos a megszokott települési hulladékba rakni. A megfelelő likvidálás, felújítás vagy újrahasznosítás céljával adja át ezen termékeket a kijelölt gyűjtőhelyre. Az EK némely országában vagy más európai országokban alternatív módon a terméket visszaviheti az értékesítőnek, akitől a terméket megvásárolta egy új, ekvivalens termék vásárlása esetén. Ezen termék megfelelő likvidálásával hozzásegít az értékes természeti kincsek megőrzéséhez és segíti a környezetre és emberi egészségre gyakorolt potenciális negatív hatások megelőzését, ami a helytelen hulladék likvidálás következménye lehet. A további részleteket a helyi hivatalban vagy a legközelebbi gyűjtőhelyen kaphat. Az ilyen jellegű hulladék helytelen likvidálása a nemzeti előírásoknak megfelelően bírsággal sújtható.

Az Európai Közösség országában működő cégek részére

Ha elektromos vagy elektronikus berendezéseket kíván likvidálni, kérje ki a szükséges információkat az kereskedelmi képviselőjénél vagy az áru értékesítőjénél.

Likvidálás az Európai Közösségen kívüli országokban

Ez a jel az Európai Közösségen belül érvényes. Ha ezen terméket kívánja likvidálni, a megfelelő likvidálást illetően kérje a tájékoztatást a helyi hivatalokban vagy áru értékesítőjénél.



Ezen termék megfelel az EK szabványok alapvető követelményeinek, amelyek a terméket érintik.

A szöveg, formatervezés és műszaki specifikációk változása megengedett előzetes figyelmeztetés nélkül és fenntartjuk magunknak a jogot azok módosítására.

Podkaszarka elektryczna

INSTRUKCJA OBSŁUGI

Dziękujemy za dokonanie zakupu podkaszarki elektrycznej. Przed rozpoczęciem użytkowania należy dokładnie zapoznać się z treścią niniejszej instrukcji obsługi i zachować ją na przyszłość.

SPIS TREŚCI

ILUSTRACJE	3
1. OGÓLNE PRZEPISY BEZPIECZEŃSTWA	58
Ważne uwagi dotyczące bezpieczeństwa	
Opakowanie	
Instrukcja obsługi	
2. OBJAŚNIENIE TABLICZEK INFORMACYJNYCH ZNAJDUJĄCYCH SIĘ NA URZĄDZENIU ..	59
3. OPIS URZĄDZENIA I ZAWARTOŚCI OPAKOWANIA	60
4. ZALECENIA DOTYCZĄCE BEZPIECZEŃSTWA	60
5. ZASTOSOWANIE	62
6. ZALECENIA DOTYCZĄCE MONTAŻU	62
7. EKSPLOATACJA	64
8. URUCHOMIENIE PODKASZARKI	65
9. KONSERWACJA	65
10. DANE TECHNICZNE	65
11. DEKLARACJA ZGODNOŚCI	66
12. LIKWIDACJA	67

1. OGÓLNE PRZEPISY BEZPIECZEŃSTWA

Ważne uwagi dotyczące bezpieczeństwa


- ✿ Produkt należy starannie rozpakować, należy zwrócić uwagę na wyjęcie z opakowania wszystkich części produktu.
- ✿ Produkt należy przechowywać w miejscu suchym, zabezpieczyć przed dostępem dzieci.
- ✿ Przeczytać wszelkie uwagi i instrukcje. Zaniedbania w stosunku do uwag i instrukcji mogą być powodem urazu, pożaru i/lub ciężkiego zranienia.

Opakowanie

Produkt jest zapakowany do opakowania chroniącego go przed uszkodzeniem w czasie transportu. Opakowanie jest surowcem wtórnym i należy poddać je recyklingowi.

Instrukcja obsługi

Przed rozpoczęciem korzystania z urządzenia należy zapoznać się z poniższymi przepisami bezpieczeństwa i instrukcją obsługi. Należy zapoznać się z elementami obsługi i właściwym korzystaniem z urządzenia. Instrukcje należy przechowywać w celu późniejszego z niej korzystania. Przez okres trwania gwarancji zaleca się przechowanie oryginalnego opakowania wraz z materiałami opakunkowymi, dokument zakupu i kartę gwarancyjną. Przechowanie opakowania ułatwi w przyszłości ewentualny transport urządzenia (przeprowadzka, odesłanie do naprawy).

 **Uwaga:** Jeżeli nastąpi przekazanie urządzenia innym użytkownikom, należy przekazać również instrukcję obsługi. Stosowanie się do zaleceń zawartych w instrukcji zapewni właściwe użytkowanie urządzenia. Instrukcja obsługi zawiera również instrukcje konserwacji urządzenia i napraw.

Producent nie ponosi odpowiedzialności za wypadki lub szkody powstałe w wyniku nie stosowania się do niniejszej instrukcji obsługi.

2. OBJAŚNIENIE TABLICZEK INFORMACYJNYCH ZNAJDUJĄCYCH SIĘ NA URZĄDZENIU



Ostrzeżenie!



Przed uruchomieniem należy zapoznać się z treścią instrukcji obsługi.



Nie pozwalać na przebywanie osób postronnych w pobliżu miejsca pracy!



Nie pracować podczas deszczu ub jeżeli trawa jest wilgotna.



Zawsze należy stosować okulary ochronne.

3. OPIS URZĄDZENIA I ZAWARTOŚCI OPAKOWANIA

Opis pilarki (patrz: ilustracja 1)

- | | |
|----------------------------------------------------------|--------------------------------------|
| 1 - Włęcznik | 8 - Osłona ochronna |
| 2 - Rękojeść | 9 - Żyłka |
| 3 - Uchwyt regulowany dodatkowy | 10 - Kasetka z żyłką |
| 4 - Śruba do mocowania uchwytu dodatkowego | 11 - Ostrze do skracania żyłki |
| 5 - Prowadnica z teleskopową regulacją długości roboczej | 12 - Odciążacz przewodu zasilającego |
| 6 - Śruba do blokowania ustawionej długości prowadnicy | 13 - Wtyczka przewodu elektrycznego |
| 7 - Głowica podkaszarki | 14 - Kółka |

Zawartość opakowania

Maszynę należy wyjąć z opakowania i sprawdzić, czy w opakowaniu znajdują się wszystkie elementy wyposażenia:

- ✿ Elektryczna ogrodowa podkaszarka do trawy
- ✿ Osłona ochronna
- ✿ Rękojeść ze śrubą mocującą
- ✿ Karta gwarancyjna
- ✿ Instrukcja obsługi

Jeżeli brakuje jakiegokolwiek elementu lub jest uszkodzony, należy zwrócić się do sprzedawcy, u którego urządzenie zostało zakupione.

4. ZALECENIA DOTYCZĄCE BEZPIECZEŃSTWA

⚠ UWAGA! Podczas pracy należy stosować się do zaleceń dotyczących bezpieczeństwa. Dla własnego bezpieczeństwa i bezpieczeństwa pozostałych osób należy dokładnie zapoznać się z niniejszymi zaleceniami. Należy zachować je na przyszłość.

- ✿ Podczas pracy należy stosować okulary ochronne.
- ✿ Podczas pracy należy stosować rękawice robocze.
- ✿ Nie narażać urządzenia na działanie opadów atmosferycznych lub oddziaływanie dużej wilgotności.
- ✿ Zapoznać się z obsługą i właściwym użytkowaniem podkaszarki.

- ✿ Nigdy nie należy dopuszczać do pracy z urządzeniem dzieci lub osób nie zapoznanych z obsługą urządzenia.
- ✿ Nie dopuszczać do przebywania w pobliżu pracy podkaszarki dzieci, osób postronnych i zwierząt domowych. W koszonej trawie mogą znajdować się kamienie i inne przedmioty. Jeżeli w pobliżu znajdują się inne osoby, zwłaszcza dzieci należy przerwać pracę.
- ✿ Utrzymywać podczas pracy dystans przynajmniej 4,5 m od osób postronnych i zwierząt.
- ✿ Należy używać podkaszarki przy świetle dziennym lub dobrym oświetleniu sztucznym.
- ✿ Przed uruchomieniem podkaszarki lub po uderzeniu o jakiś przedmiot należy sprawdzić stan zużycia lub uszkodzenia, a jeżeli jest to konieczne dokonać naprawy. Nie używać podkaszarki jeżeli mechanizm tnący nie jest właściwie zabezpieczony lub jest uszkodzony.
- ✿ Zawsze należy sprawdzać stan podkaszarki, czy nie zagraża jej stan użytkownikowi.
- ✿ Podczas pracy z podkaszarką należy stosować okulary ochronne.
- ✿ Nie używać podkaszarki jeżeli są uszkodzone osłony ochronne.
- ✿ Usunąć z powierzchni roboczej kamienie, przedmioty metalowe, korzenie, przedmioty twarde, woreczki plastikowe, kawałki sznurka i inne przedmioty, które nie poddają się cięciu.
- ✿ Przed uruchomieniem podkaszarki należy upewnić się czy ostrze tnące nie dotyka kamieni lub innych twardych przedmiotów.
- ✿ Nigdy nie należy zbliżyć ręk lub stóp do powierzchni pokosu, a zwłaszcza w czasie uruchamiania podkaszarki.
- ✿ Należy chronić się przed możliwością zranienia przez żyłkę tnącą. Po naciągnięciu nowej żyłki tnącej, przed uruchomieniem, należy ustawić podkaszarkę w normalnej pozycji roboczej.
- ✿ Zabronione jest stosowanie metalowych ostrzy tnących.
- ✿ Zabronione jest używanie części zamiennych lub wyposażenia niezalecanego przez producenta.
- ✿ Otwory wentylacyjne silnika muszą być zawsze drożne i czyste.
- ✿ Aby zapobiec przypadkowemu uruchomieniu, nie należy przenosić podkaszarki z palcem umieszczonym na włączniku.
- ✿ Podczas pracy należy przyjąć stabilną i bezpieczną pozycję.
- ✿ Powierzchnię roboczą należy oczyścić z kamieni, drutów i innych twardych przedmiotów.
- ✿ Zabronione jest cięcie twardych przedmiotów. Może to spowodować zranienie operatora lub uszkodzenie podkaszarki.
- ✿ **Ostrzeżenie!** Po wyłączeniu silnika elementy tnące nadal rotują!
- ✿ Zabronione jest zatrzymywanie urządzenia tnącego (żyłka nylonowa) ręką. Zawsze należy poczekać na samoistne zatrzymanie się.
- ✿ Nie używać podkaszarki do cięcia trawy na murkach lub skałkach.
- ✿ Nie przechodzić przez drogi lub ścieżki z pracującą podkaszarką.

5. ZASTOSOWANIE

- ✿ Podkaszarka jest przeznaczona do koszenia trawy.
- ✿ Zabronione jest używanie podkaszarki do innych celów.
- ✿ Urządzenie to jest przeznaczone do stosowania w gospodarstwach domowych.

6. ZALECENIA DOTYCZĄCE MONTAŻU

Dla bezpiecznej obsługi

⚠ UWAGA! Przed przeprowadzaniem regulacji należy odłączyć przewód zasilający od zasilania.

Należy przystąpieniem do pracy należy wybrać odpowiednie ustawienie robocze do cięcia (ilustracja 2)

Są trzy możliwości wyboru pozycji roboczej (A, B, C):

- ✿ Pozycja robocza A jest przeznaczona do koszenia trawnika. Element montażowy wyposażony w kółko może być zastosowany, ale nie jest to wymagane.
- ✿ Pozycja robocza B jest przeznaczona do podkaszania brzegów trawnika. Konieczne jest użycie elementu montażowego z kółkiem.
- ✿ Pozycja robocza C jest przeznaczona także do podkaszania brzegów trawnika. Nie należy stosować elementu montażowego z kółkiem.

Montaż osłony ochronnej (ilustracja 3)

- ✿ Wykręcić dwie śruby (1) z obudowy podkaszarki (ilustracja 3/B).
- ✿ Umieścić osłonę silnika tak, aby nośnik głowicy tnącej był skierowany w górę (ilustracja 3/A).
- ✿ Nasunąć obudowę ochronną (2) na osłonę silnika (ilustracja 3/A).
- ✿ Wkręcić dwie śruby w głowicę podkaszarki przez otwory w osłonie i ponownie dokręcić je jak jest pokazane na ilustracji 3/B.

Sprawdzić żyłki tnące (ilustracja 4)


- ✿ Przed pierwszym uruchomieniem należy sprawdzić, czy żyłki dotykają ostrza ucinającego, czy je mijają. Jeżeli nie są wystarczająco długie (1), należy nacisnąć przycisk (2), i wyciągnąć żyłkę (ilustracja 4/A).
- ✿ Wyciągnięta żyłka zostanie automatycznie docięta do wymaganej długości przez ostrze ucinające natychmiast po uruchomieniu podkaszarki.

- ✿ W czasie pracy żyłka ulega skróceniu lub zużyciu. W celu automatycznego wydłużenia lub wysunięcia żyłki należy delikatnie uderzyć przyciskiem kasety (3) o ziemię (podczas pracy maszyny) (ilustracja 4/B).

Czynności te należy kilkakrotnie powtórzyć przed rozpoczęciem pracy, aby upewnić się czy wszystko prawidłowo pracuje i w celu zapoznania się z funkcjonowaniem podkaszarki. Należy wolno przystąpić do pracy w celu zyskania doświadczenia w pełnym wykorzystywaniu potencjału podkaszarki.

Wymiana szpuli z żyłką

- ✿ Obrócić urządzenie do góry nogami.
- ✿ Z dwu stron wcisnąć zaciski blokady na pokrywie, zgodnie z ilustracją 5 i zdjąć pokrywę.
- ✿ Wyjąć szpulę z urządzenia i usunąć pozostałą na niej żyłkę.
- ✿ Wsunąć końcówkę żyłki przez otwór w szpuli (ilustracja 6). Upewnić się, że sprężyna znajduje się pod szpulą. Umieścić szpulę w głowicy tnącej jednocześnie przeciągając żyłkę przez otwór, aby zapewnić prawidłowy naciąg, w sposób przedstawiony na ilustracji 6.

 **Uwaga:** Wewnątrz głowicy umieszczona jest sprężyna, która bardzo łatwo można zgubić. Należy zawsze upewnić się, że znajduje się w odpowiednim miejscu.

- ✿ Delikatnie naciskać na szpulę w kierunku do sprężyny i obracać do chwili, aż wskoczy na swoje miejsce. Należy uważać, aby żyłka nie zakleszczyła się pod szpulą.
- ✿ Wcisnąć pokrywę głowicy, ustawić podkaszarkę w pozycji roboczej i uruchomić. Po paru sekundach słychać będzie, że żyłka została ucięta na odpowiednią długość; jeżeli nie należy lekko uderzyć o podłoże w celu wysunięcia odpowiedniego odcinka żyłki.

Mocowanie rękojeści nastawnych(ilustracja 7)

- ✿ Obracając pokrętkę na rękojeści (3) uwolnić śrubę (2) rękojeści nastawnej(1).
- ✿ Umieścić rękojeść nastawną (1) w rękojeści maszyny.
- ✿ Włożyć śrubę (2) i pokrętkę rękojeści (3), następnie pokrętkę lekko dokręcić.
- ✿ Przed ostatecznym dokręceniem pokrętki (3) ustawić rękojeść nastawną (1) pod wymaganym kątem. Kiedy rękojeść (1) zostanie ustawiona pod odpowiednim kątem, należy dobrze dokręcić pokrętkę (3).

Instalacja elementu montażowego z kołem (ilustracja 8)

UWAGA!

- ✿ Element montażowy z kółkiem (1) można stosować przy koszeniu trawy (pozycja robocza A).
- ✿ Element montażowy z kółkiem (1) musi być zamontowany przy koszeniu brzegów trawnika (pozycja robocza B).
- ✿ Element montażowy z kółkiem (1) nie można stosować podczas koszenia (pozycja robocza C).

- * Podczas montowania dodatkowego elementu montażowego z kółkiem (1) na prowadzeniu (2) uchwytu rękojeści słychać zatrzaśnięcie zamka zabezpieczającego.
- * W celu zdemontowania dodatkowego elementu montażowego z kółkiem należy nacisnąć przycisk „PUSH” i zdjąć dodatkowy element montażowy z kółkiem z prowadzenia (2) uchwytu rękojeści.

7. EKSPLOATACJA

⚠ UWAGA! NIEBEZPIECZEŃSTWO ZRANIENIA! Zagrożenie zranieniem jeżeli podkaszarka nie wyłączy się po zwolnieniu przycisku włącznika. Zabronione jest zwieranie na krótko urządzenia zabezpieczającego.

Ustawienie kąta głowicy podkaszarki (ilustracja 9)

- * Kąt głowicy podkaszarki można ustawić w 4 różnych pozycjach roboczych.
- * Nacisnąć na przycisk „PUSH” jedną ręką i obrócić głowicę podkaszarki dożądanego położenia. Przycisk „PUSH” automatycznie zablokuje rękojeść.

Ustawienie długości i kąta rękojeści (ilustracja 10)

- * Obracać obejmę mocującą (A) w kierunku uwolnienia („UNLOCK”) i wyciągnąć górną część rękojeści do wymaganej długości. Następnie obracać obejmę (A) w kierunku zablokowania („LOCK”) i dobrze dokręcić.
- * Pociągnąć blokującą śrubę (B) w górę w kierunku „1”. Obrócić górną część rękojeści w kierunku „2” do pozycji roboczej 0°, 90°, 180°. Pozycję roboczą 0° stosuje się tylko podczas koszenia trawnika. Pozycje robocze 90° i 180° tylko podczas koszenia brzegów trawnika.

Ustawienie kąta rękojeści nastawnej (ilustracja 11)

- * Zwolnić przycisk blokady i obrócić rękojeść nastawną do wymaganego położenia.
- * Jest do wyboru 7 pozycji roboczych.
- * Następnie przycisk blokady należy dobrze dokręcić.

Ustawienie kąta elementu montażowego z kółkiem (ilustracja 12)

- * Odbezpieczyć przycisk blokady i obrócić element montażowy do wymaganego położenia.
- * Pozycje „1”, „2”, „3” są pozycjami roboczymi.
- * Jeżeli element z kółkiem nie jest używany można go zdjąć lub ustawić w pozycji „4”.

Ustawienie osłony zabezpieczającej (ilustracja 13)

- * Pozycja „1” jest pozycją parkingową, „2” jest pozycją roboczą.
- * Obracać osłonę zabezpieczającą (A) do wymaganego położenia do chwili, aż zaskoczy w swoje miejsce.

8. URUCHOMIENIE PODKASZARKI (ilustracja 14)

Włączenie podkaszarki

- ✿ Nacisnąć i trzymać przycisk zabezpieczający (A) a następnie nacisnąć przycisk uruchamiający (B) na rękojeści.
- ✿ Następnie zwolnić przycisk zabezpieczający (A).

Wyłączenie podkaszarki

- ✿ Zwolnić przycisk uruchamiający (B) na rękojeści.

⚠ UWAGA! NIEBEZPIECZEŃSTWO ZRANIENIA! Po wyłączeniu silnika elementy tnące nadal rotują! Zabronione jest zatrzymywanie urządzenia tnącego (żyłka nylonowa) ręką. Zawsze należy poczekać na samoistne zatrzymanie się.

📖 Uwaga: Rada: Jeżeli trawnik jest koszony w pozycji roboczej A, to najbardziej efektywne jest zachowanie kąta między poziomem a ostrzami tnącymi o wartości około 10°. Podczas koszenia należy wykonywać maszyną ruchy w kierunku od lewej do prawej i następnie od prawej do lewej strony. Ułatwia to osiągnięcie oczekiwanego efektu. (ilustracja 15).

9. KONSERWACJA

- ✿ Żyłka z czasem ulega wysuszeniu. Aby zawsze była w dobrym stanie, należy przechowywać zapasowe nawinięte szpule lub samą żyłkę w zamkniętym woreczku plastikowym z wlaną łyżeczką wody.
- ✿ Przed czyszczeniem urządzenia należy wyjąć akumulator, a do czyszczenia używać delikatne mydło i wilgotną ścierekę. Nie wolno zanurzać urządzenia w wodzie ani nie myć strumieniem wody z węża. Należy zwrócić uwagę, aby do wnętrza urządzenia nie dostała się żadna ciecz. Nie myć myjką ciśnieniową.
- ✿ Ostrze obcinające żyłkę na krawędzi osłony ochronnej z czasem może ulec stępieniu, zalecamy regularne ostrzenie przy użyciu pilnika.

10. DANE TECHNICZNE

Napięcie/Częstotliwość	230-240V~/50Hz
Moc silnika	500W
Obroty	11000/min
Szerokość pokosu	300mm

Instrukcja użytkownika - tylko wersja językowa.

11. DEKLARACJA ZGODNOŚCI

Produkt / marka: PODKASZARKA ELEKTRYCZNA / FIELDMANN

Typ / model: FZS 2002-E 230V,500W

Produkt spełnia wymagania następujących przepisów:

- ✿ Dyrektywa Parlamentu Europejskiego i Rady 2006/95/WE z dnia 12. grudnia 2006 w sprawie harmonizacji ustawodawstw państw członkowskich odnoszących się do sprzętu elektrycznego przewidzianego do stosowania w określonych granicach napięcia.
- ✿ Dyrektywa Parlamentu Europejskiego i Rady 2004/108/WE z dnia 15. grudnia 2004 w sprawie zbliżenia ustawodawstw państw członkowskich odnoszących się do kompatybilności elektromagnetycznej oraz uchylającej dyrektywę 89/336/EWG..
- ✿ Dyrektywa Parlamentu Europejskiego i Rady 2006/42/WE z dnia 17. maja 2006 w sprawie maszyn, zmieniająca dyrektywę 95/16/WE.
- ✿ Dyrektywa Parlamentu Europejskiego i Rady 2002/95/WE z dnia 27. stycznia 2003 w sprawie ograniczenia stosowania niektórych niebezpiecznych substancji w sprzęcie elektrycznym i elektronicznym.

i norm:

- ✿ EN 60335-1:2002+A11:2004+A1:2004+A12:2006+A2:06+A13:08
- ✿ EN 60335-2-91:2003
- ✿ EN 786:1996+A2:2009
- ✿ EN 50366:2003+A1:2006
- ✿ EN 60335-1:2002FPRAF:09PREN 60335-2-91:2007+FPRAA:09
- ✿ EN 55014-1:2000/A1:2001/A2:2002
- ✿ EN 55014-2:1997+A1:2001
- ✿ EN 61000-3-2:2000/A2:2005
- ✿ EN 61000-3-3:1995/A1:2001/A2:2005

Oznaczenie CE: 11

Firma FAST ČR, a.s. jest uprawniona do występowania w imieniu producenta.

Producent:

FAST ČR, a.s.
 Černokostelecká 2111, 100 00 Praha 10, Republika Czeska
 NIP: CZ26726548

Praga, 7.4.2011

Jmię i nazwisko: inż. Zdeněk Pech
 Prezes Zarządu



Podpis i pieczętka:

12. LIKWIDACJA

ZALECENIA I INFORMACJE O POSTĘPOWANIU Z ZUŻYTYM PAKOWANIEM.

Zużyty materiał z opakowania przekazuje się na gminne wysypisko odpadów.

LIKWIDACJA ZUŻYTYCH URZĄDZEŃ ELEKTRYCZNYCH I ELEKTRONICZNYCH



Ten symbol na produktach albo w dokumentach przewodnich oznacza, że zużyte wyroby elektryczne i elektroniczne nie mogą być dodawane do zwykłych odpadów komunalnych. W celu właściwej likwidacji, odzysku i recyklingu trzeba je przekazywać w ustalone zbiorcze miejsca. Alternatywnie w niektórych krajach Unii Europejskiej albo w innych krajach europejskich można zwrócić takie wyroby lokalnemu sprzedawcy przy zakupie nowego, ekwiwalentnego produktu. Właściwa likwidacja tego produktu pomoże zachować cenne źródła naturalne i pomaga w zapobieganiu negatywnym wpływom na środowisko naturalne i zdrowie ludzi, które mogłaby spowodować niewłaściwa likwidacja odpadów. Szczegółowych informacji udziela Urząd gminy albo najbliższe wysypisko odpadów. Przy niewłaściwej likwidacji tego rodzaju odpadu, zgodnie z przepisami krajowymi, może dojść do nałożenia mandatu karnego.

Dotyczy podmiotów gospodarczych w Unii Europejskiej

Jeżeli trzeba zlikwidować urządzenia elektryczne i elektroniczne, to niezbędne informacje należy uzyskać od swojego sprzedawcy albo dostawcy.

Likwidacja w innych krajach poza Unią Europejską

Ten symbol obowiązuje w Unii Europejskiej. Jeżeli chcemy ten wyrób zlikwidować, to niezbędne informacje o właściwym sposobie likwidacji otrzymujemy od urzędów lokalnych albo od swojego sprzedawcy.



Ten wyrób spełnia wszystkie podstawowe wymagania dyrektyw UE, które go dotyczą.

Zmiany w tekście, designie i specyfikacji technicznej mogą nastąpić bez wcześniejszego uprzedzenia i zastrzegamy sobie prawo do ich wprowadzania.

Электрический триммер

ИНСТРУКЦИЯ ПО ПРИМЕНЕНИЮ

Благодарим Вас, что Вы приобрели этот электрический триммер. Прежде, чем Вы начнете им пользоваться, прочтите, пожалуйста, внимательно настоящую инструкцию по применению и сохраните ее на случай дальнейшего использования.

СОДЕРЖАНИЕ

РИСУНКИ К ИНСТРУКЦИИ	3
1. ОБЩИЕ УКАЗАНИЯ ПО ТЕХНИКЕ БЕЗОПАСНОСТИ	70
Важные предупреждения по безопасности	
Упаковка	
Инструкция по применению	
2. ОПИСАНИЕ ТАБЛИЧЕК С УКАЗАНИЯМИ НА УСТРОЙСТВЕ	71
3. ОПИСАНИЕ УСТРОЙСТВА И КОМПЛЕКТ ПОСТАВКИ	72
4. УКАЗАНИЯ ПО ТЕХНИКЕ БЕЗОПАСНОСТИ	72
5. ПРИМЕНЕНИЕ	74
6. УКАЗАНИЯ ПО МОНТАЖУ	74
7. ЭКСПЛУАТАЦИЯ	76
8. ЗАПУСК ТРИММЕРА	77
9. ОБСЛУЖИВАНИЕ	77
10. ТЕХНИЧЕСКИЕ ДАННЫЕ	78
11. СЕРТИФИКАТ СООТВЕТСТВИЯ	79
12. УТИЛИЗАЦИЯ	80

1. ОБЩИЕ ПРАВИЛА БЕЗОПАСНОСТИ

Важные предупреждения по безопасности


- ✿ Изделие аккуратно распакуйте и следите за тем, чтобы случайно не выбросить какую-нибудь часть упаковки раньше, чем будут распакованы все детали изделия.
- ✿ Изделие храните в сухом месте, недоступном для детей.
- ✿ Прочтите все предупреждения и указания. Пренебрежение соблюдением предупреждений и указаний может привести к поражению электрическим током, пожару и/или получению тяжелых травм.

Упаковка

Изделие уложено в упаковке, предотвращающей повреждение при транспортировке. Эта упаковка является вторсырьем, поэтому ее можно сдать на переработку.

Инструкция по применению

Прежде чем Вы начнете работать с устройством, прочтите следующие предписания по безопасности и указания по применению. Ознакомьтесь с элементами управления и правильным применением устройства. Инструкцию надежно уложите для последующего использования. Минимально в течение гарантийного срока рекомендуем хранить оригинальную упаковку вместе с внутренним упаковочным материалом, кассовый чек и гарантийный талон. В случае транспортировки упакуйте устройство снова в оригинальную коробку изготовителя. Так Вы обеспечите максимальную защиту изделия во время возможной транспортировки (напр. переезд или посылание в сервисный центр).

 **Примечание:** Если будете передавать устройство другим лицам, передавайте его вместе с инструкцией. Соблюдение приложенной инструкции по применению является предпосылкой надлежащего использования устройства. Инструкция по применению содержит также указания по применению, обслуживанию и ремонту.

Изготовитель не берет на себя ответственность за несчастные случаи или ущерб, возникший в результате несоблюдения настоящей инструкции.

2. ОПИСАНИЕ ТАБЛИЧЕК С УКАЗАНИЯМИ НА УСТРОЙСТВЕ



Предупреждение!



Перед применением прочтите инструкцию пользователя.



Удерживайте других людей на достаточном расстоянии!



Не пользуйтесь под дождем или при высокой влажности.



Всегда пользуйтесь средствами для защиты зрения.

3. ОПИСАНИЕ УСТРОЙСТВА И КОМПЛЕКТ ПОСТАВКИ

Описание устройства (см. рис. 1)

- | | |
|-----------------------------------------------------------|--------------------------------|
| 1 - Выключатель | 8 - Защитный кожух |
| 2 - Рукоятка | 9 - Струна |
| 3 - Регулируемая вторая рукоятка | 10 - Катушка со струной |
| 4 - Винт для крепления второй рукоятки | 11 - Лезвие для обрезки струны |
| 5 - Телескопическая штанга для регулировки рабочей высоты | 12 - Фиксатор кабеля |
| 6 - Фиксирующий винт для крепления телескопической штанги | 13 - Сетевой штепсель |
| 7 - Головка триммера | 14 - Колесики |

Комплект поставки

Устройство аккуратно извлеките из упаковки и проверьте, комплектны ли следующие детали:

- ✿ Электрический триммер
- ✿ Защитный кожух
- ✿ Рукоятка с винтом для крепления
- ✿ Гарантийный талон
- ✿ Инструкция по эксплуатации

Если детали отсутствуют или повреждены, обратитесь, пожалуйста, к продавцу, где Вы приобрели устройство.

4. УКАЗАНИЯ ПО ТЕХНИКЕ БЕЗОПАСНОСТИ

⚠ ВНИМАНИЕ! При пользовании этим устройством соблюдайте правила техники безопасности. Для вашей безопасности и безопасности других лиц перед применением этого устройства прочтите, пожалуйста, эти указания. Сохраните, пожалуйста, эти указания для возможного применения в будущем.

- ✿ При работе с этим устройством пользуйтесь защитными очками.
- ✿ При работе с этим устройством пользуйтесь перчатками.
- ✿ Не подвергайте изделие воздействию дождя или повышенной влажности.
- ✿ Ознакомьтесь с управлением и правильным применением этого триммера.

- ✿ Никогда не позволяйте детям или лицам, не ознакомленным с настоящей инструкцией, пользоваться этим триммером.
- ✿ Не позволяйте детям, другим лицам и домашним животным приближаться к этому триммеру; трава, которая стрижется и разлетается вокруг, может содержать камни или осколки. Если поблизости находятся иные лица, особенно дети, остановите работу триммера.
- ✿ При работе с триммером не позволяйте другим лицам или животным приближаться на расстояние ближе 4,5 м.
- ✿ Триммер всегда используйте только при дневном освещении или при хорошем искусственном освещении.
- ✿ Перед применением триммера или после любого удара всегда проверьте его на наличие признаков износа или повреждений и, если это необходимо, отремонтируйте его. Не пользуйтесь триммером, если режущий инструмент закреплен неправильно или поврежден.
- ✿ Всегда проверьте, чтобы триммер находился в хорошем рабочем состоянии; если нет, это может угрожать пользователю.
- ✿ При применении триммера всегда используйте защитные кожанки.
- ✿ Не пользуйтесь триммером, если защитные кожанки повреждены.
- ✿ Устраните из рабочего пространства камни, металлические частицы, корни, другие твердые предметы и полиэтиленовые пакеты, нейлоновые шнуры и иные предметы, которые нельзя раздробить струной.
- ✿ Перед включением триммера убедитесь, что нейлоновое лезвие не касается камней или осколков.
- ✿ Никогда не приближайте руки и ноги к пространству стрижки и особенно, когда включите мотор.
- ✿ Берегитесь ранений, вызванных режущим лезвием или чрезмерной длиной режущей струны. После натяжения новой режущей струны, перед запуском, всегда верните триммер в его нормальную рабочую позицию.
- ✿ Не пользуйтесь металлическими режущими элементами.
- ✿ Не пользуйтесь запасными частями или принадлежностями, не входящими в комплект или не рекомендованными изготовителем.
- ✿ Всегда обеспечьте, чтобы вентиляционные отверстия были свободны от осколков.
- ✿ Чтобы предотвратить случайный запуск, не переносите устройство с пальцем на выключателе для включения/выключения.
- ✿ При работе с триммером поддерживайте стабильное и безопасное положение.
- ✿ Область, где вы будете работать, очистите от проволоки, камней и осколков.
- ✿ Не пытайтесь подстригать твердые предметы. Это могло бы вызвать получение травмы или повреждение триммера.
- ✿ Предупреждение! Режущие элементы после выключения мотора вращаются и далее!
- ✿ Не пытайтесь остановить режущее устройство (нейлоновую струну) руками. Всегда дождитесь, пока она не остановится сама.

- ✿ Не пользуйтесь триммером для подстригания травы, которая не касается земли, например, травы на стенах или горках и т.д.
- ✿ Не переходите через дорожки или тропинки с гравием с включенным триммером.

5. ПРИМЕНЕНИЕ

- ✿ Этот триммер предназначен для подстригания травы.
- ✿ Не используйте его ни для каких иных целей.
- ✿ Это устройство предназначено только для домашнего применения.

6. УКАЗАНИЯ ПО МОНТАЖУ

Для Вашей безопасности

⚠ ВНИМАНИЕ! Перед выполнением какой-либо регулировки отключите штепсель привода от источника питания.

Выберите рабочее положение для подстригания (рис. 2)

Здесь имеется возможность 3 рабочих положений (А, В, С):

- ✿ Рабочее положение А для подстригания газона. Приспособление с колесом можно использовать, но необязательно.
- ✿ Рабочее положение В для подстригания краев газона. Необходимо воспользоваться приспособлением с колесом.
- ✿ Рабочее положение С также для подстригания краев газона. Не пользуйтесь приспособлением с колесом.

Установка защитного кожуха (рис. 3)

- ✿ Устраните два винта (1) с корпуса триммера (рис. 3/В).
- ✿ Расположите кожух мотора так, чтобы поводок струнной головки был направлен вверх (рис. 3/А).
- ✿ Наденьте защитный кожух (2) через кожух мотора (рис. 3/А).
- ✿ Вставьте два винта обратно в головку триммера через отверстия в защитном кожухе и затяните их, как показано на рис. 3/В.

Проверьте нейлоновые струны (рис. 4)


- ✿ Перед первым запуском триммера проверьте, чтобы нейлоновые струны касались режущего лезвия или обходили его. Если они недостаточно длинные, (1), нажмите на кнопку (2), вытяните больше нейлонового волокна, чтобы оно удлинилось (рис. 4/А).

- ✿ Удлиненная нейлоновая струна автоматически обрежется до правильной длины режущим лезвием, как только вы включите триммер.
- ✿ При работе нейлоновая струна укоротится или износится. Для автоматического удлинения или вытягивания нейлоновой режущей струны слегка стукните кнопкой катушки (3) о землю (при работающем устройстве) (рис. 4/В).

Эти шаги необходимо повторить несколько раз перед началом работы, чтобы убедиться, все ли нормально работает, чтобы вы ознакомились с триммером. Начинайте не спеша, пока не приобретете опыт, тогда вы сможете использовать полный потенциал триммера.

Замена катушки нейлоновой струны

- ✿ Поверните устройство вверх ногами.
- ✿ Нажмите на боковые язычки на крышке струнного механизма, как показано рис. 5, и снимите крышку, потянув за нее.
- ✿ Выньте катушку из устройства и выбросьте всю оставшуюся струну на катушке.
- ✿ Проденьте конец струны через отверстие в корпусе катушки, см. рис. 6. Убедитесь, что пружина находится на своем месте под катушкой. Расположите катушку в корпусе и при этом протягивайте струну через отверстие, чтобы обеспечить достаточное натяжение, как видно на рис. 6.

 **Примечание:** Внутри головки находится пружина, которая может легко потеряться. Убедитесь, что она в безопасном месте.

- ✿ Слегка нажимайте на катушку вниз к пружине и поворачивайте ее, пока не почувствуете, что она встала на место. Обращайте внимание, чтобы струна не застряла под катушкой.
- ✿ Защелкните крышку корпуса на место, поверните устройство в рабочее положение и включите его. Через несколько секунд вы услышите, как нейлоновая струна отрежется на правильную длину; если нет, слегка стукните головкой о землю, чтобы отпустить струну на необходимую длину.

Крепление регулируемой рукоятки (рис. 7)

- ✿ Поверните фиксатор рукоятки (3) и выньте винт (2) регулируемой рукоятки (1).
- ✿ Вложите регулируемую рукоятку (1) в рукоятку устройства.
- ✿ Вставьте обратно винт (2) и фиксатор рукоятки (3), потом фиксатор слегка затяните.
- ✿ Перед полной затяжкой фиксатора (3) поверните регулируемую рукоятку (1) на необходимый угол. Когда регулируемая рукоятка (1) будет повернута на правильный угол, хорошо затяните фиксатор рукоятки (3).

Установка приспособления с колесом (рис. 8)

ВНИМАНИЕ!

- ✿ Приспособление с колесом (1) вы можете использовать для подстригания травы (рабочее положение А), но это необязательно.
- ✿ Приспособление с колесом (1) нужно обязательно использовать для подстригания краев газона (рабочее положение В).
- ✿ Приспособление с колесом (1) необязательно использовать для подстригания травы (рабочее положение С).
- ✿ При насаживании дополнительного приспособления с колесом (1) на направляющие (2) рукоятки будет слышно защелкивание фиксатора на своем месте с одной стороны.
- ✿ Для снятия дополнительного приспособления с колесом нажмите на кнопку „PUSH“ и вытяните дополнительное приспособление с колесом из направляющих (2) рукоятки.

7. ЭКСПЛУАТАЦИЯ

⚠ ВНИМАНИЕ! ОПАСНОСТЬ ПОЛУЧЕНИЯ ТРАВМЫ! Опасность получения травмы, если триммер не выключится, когда вы отпустите кнопку включения. Никогда не блокируйте защитное устройство (например, соединением кнопки включения к рукоятке).

Регулировка угла головки триммера (рис. 9)

- ✿ Угол головки триммера можно установить в 4 разные рабочие положения.
- ✿ Нажмите на кнопку „PUSH“ одной рукой и поверните головку триммера в необходимое положение. Кнопка „PUSH“ автоматически зафиксирует рукоятку.

Регулировка длины и угла рукоятки (рис. 10)

- ✿ Поворачивайте зажимной патрон (А) в направлении ослабления („UNLOCK“) и удлините верхнюю часть рукоятки на необходимую длину. Потом поверните зажимной патрон (А) в направлении блокирования („LOCK“) и хорошо затяните.
- ✿ Затяните фиксирующий винт (В) вверх в направлении „1“. Поверните верхнюю часть рукоятки в направлении „2“ в рабочее положение 0°, 90°, 180°. Рабочее положение 0° только для подстригания газона. Рабочие положения 90° и 180° только для подстригания краев.

Регулировка угла регулируемой рукоятки (рис. 11)

- ✿ Ослабьте фиксатор и поверните регулируемую рукоятку в необходимое положение.
- ✿ Здесь имеется 7 рабочих положений.
- ✿ Потом фиксатор крепко затяните.

Регулировка угла приспособления с колесом (рис. 12)

- ✿ Ослабьте фиксатор и поверните приспособление на требуемый угол.

- ✿ Позиции „1“, „2“, „3“ это рабочие положения.
- ✿ Если вы не используете приспособление с колесом, то можете его снять или установить положение „4“.

Регулировка защитного кожуха (рис. 13)

- ✿ Позиции „1“ это нерабочее положение, „2“ это рабочее положение.
- ✿ Поверните защитный кожух (А) в требуемое положение, так, чтобы он встал на место.

8. ЗАПУСК ТРИММЕРА (рис. 14)

Включение триммера

- ✿ Нажмите и придержите предохранительную блокирующую кнопку (А), а потом нажмите на кнопку включения (В) на рукоятке.
- ✿ Снова ослабьте предохранительную блокирующую кнопку (А).

Выключение триммера

- ✿ Ослабьте кнопку включения (В) на рукоятке.

⚠ ВНИМАНИЕ! ОПАСНОСТЬ ПОЛУЧЕНИЯ ТРАВМЫ! Режущие элементы выключения мотора вращаются и далее. Не пытайтесь остановить режущее устройство (нейлоновую струну) руками. Всегда дождитесь, пока оно не остановится.

📖 Примечание: Совет: если вы подстригаете газон в рабочем положении А, чтобы получалось лучше, отрегулируйте угол между лезвиями и уровнем газона приблизительно на 10°. При подстригании вы можете держать устройство и двигать им слева направо, а потом справа налево. Этим способом вы достигнете лучшего результата. (Рис. 15).

9. ОБСЛУЖИВАНИЕ

- ✿ Струна триммера может со временем высохнуть. Чтобы поддерживать ее все время в отличном состоянии, храните запасные предварительно намотанные катушки или свободную струну в полиэтиленовом пакете с ложечкой воды.
- ✿ Для очистки устройства выньте аккумулятор и используйте только мягкое мыло и влажную ткань. Не погружайте устройство в воду и не брызгайте на него из шланга. Предотвращайте попадание внутрь любой жидкости. Не мойте водой под давлением.
- ✿ Режущее лезвие на краю защитного кожуха может со временем затупиться. Рекомендуем регулярно подтачивать острие напильником.

10. ТЕХНИЧЕСКИЕ ДАННЫЕ

Напряжение / частота	230-240 В~/50 Гц
Входная мощность	500 Вт
Холостые обороты	11000 об./мин.
Ширина захвата	300 мм

Инструкция по эксплуатации - только языковая версия.

11. СЕРТИФИКАТ СООТВЕТСТВИЯ

Изделие / марка: ЭЛЕКТРИЧЕСКИЙ ТРИММЕР / FIELDMANN

Тип / модель: FZS 2002-E 230 В, 500 Вт

Изделие отвечает нижеуказанным нормам:

- ✿ Норме Европейского парламента и Совета 2006/95/ES от 12 декабря 2006 г. о согласовании правовых норм стран-членов, касающихся электрооборудования, предназначенной для использования в определенных пределах напряжения.
- ✿ Норме Европейского парламента и Совета 2004/108/ES от 15 декабря 2004 г. о приближении правовых норм стран-членов, касающихся электромагнитной совместимости и об отмене нормы 89/336/EHS.
- ✿ Норме Европейского парламента и Совета 2006/42/ES от 17 мая 2006 г. о механических устройствах и об изменении нормы 95/16/ES.
- ✿ Норме Европейского парламента и Совета 2002/95/ES от 27 января 2003 г. об ограничении использования некоторых опасных веществ в электрических и электронных устройствах.

и нормам:

- ✿ EN 60335-1:2002+A11:2004+A1:2004+A12:2006+A2:06+A13:08
- ✿ EN 60335-2-91:2003
- ✿ EN 786:1996+A2:2009
- ✿ EN 50366:2003+A1:2006
- ✿ EN 60335-1:2002FPRAF:09PREN 60335-2-91:2007+FPRAA:09
- ✿ EN 55014-1:2000/A1:2001/A2:2002
- ✿ EN 55014-2:1997+A1:2001
- ✿ EN 61000-3-2:2000/A2:2005
- ✿ EN 61000-3-3:1995/A1:2001/A2:2005

Обозначение CE: 11

Компания АО «FAST ČR, a.s.» имеет право выступать от имени изготовителя.

Изготовитель:

АО «FAST ČR, a.s.»
 Šternokostelecká 2111, 100 00 Praha 10, Чешская Республика
 ИНН: CZ26726548

В Праге, 07.04.2011 г.

Имя, фамилия: Зденек Пех
 Председатель совета директоров



Подпись и печати:

12. УТИЛИЗАЦИЯ

УКАЗАНИЯ И ИНФОРМАЦИЯ ОБ ОБРАЩЕНИИ С БЫВШЕЙ В УПОТРЕБЛЕНИИ УПАКОВКОЙ

Бывший в употреблении упаковочный материал доставьте на место, предназначенное городской администрацией для сбора отходов.

УТИЛИЗАЦИЯ БЫВШЕГО В УПОТРЕБЛЕНИИ ЭЛЕКТРИЧЕСКОГО И ЭЛЕКТРОННОГО ОБОРУДОВАНИЯ



Этот символ на изделиях или в сопроводительной документации означает, что бывшие в употреблении электрические и электронные изделия не должны выбрасываться в обычные коммунальные отходы. Для правильной утилизации, обновления и переработки сдайте изделия в установленные пункты приема. Альтернативно в некоторых странах Европейского Союза или иных европейских странах можно вернуть свои изделия местному продавцу при покупке эквивалентного нового изделия. Правильной утилизацией этого изделия Вы помогаете сохранению ценных природных ресурсов и помогаете профилактике потенциального негативного влияния на окружающую среду и здоровье человека. Дальнейшие подробности запрашивайте у местной администрации или в ближайшем пункте приема. При неправильной утилизации этого вида отходов в соответствии с государственными предписаниями могут быть наложены штрафы.

Для предприятий в странах Европейского Союза

Если Вы хотите утилизировать электрические и электронные изделия, требуйте необходимую информацию у своего продавца или поставщика

Утилизация в остальных странах за пределами Европейского Союза

Этот символ действует в Европейском Союзе. Если Вы хотите утилизировать это изделие, запрашивайте необходимую информацию о правильном способе утилизации в местной администрации или у своего продавца.



Это изделие отвечает всем основным требованиям норм EC EU, которые на него распространяются.

Изменения в тексте, дизайне и технологической спецификации могут быть проведены без предварительного предупреждения. Изготовитель оставляет за собой право на их изменение.

