

# Fiilex

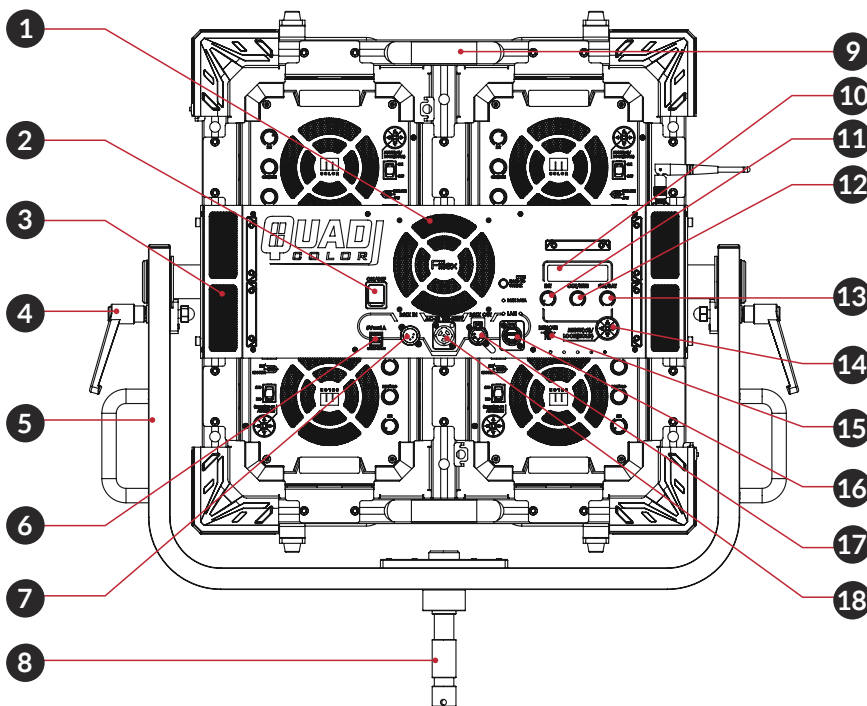
# QUAD COLOR

## User Guide

### Safety Instructions

- DO NOT disassemble QUAD Color. This will void the warranty.
- DO NOT install QUAD Color in damp or wet locations.
- DO NOT obstruct the fixture's air vents.
- Use safety cable (not included) when rigging QUAD Color overhead.
- Only use Fiilex approved power supply and accessories. Failure to do so may damage the fixture.
- The luminaire is intended for professional use only.
- Do not look into the light source with any instrument that could concentrate the light output: this includes magnifiers, binoculars, telescopes, etc.
- This fixture corresponds to Risk Group 1 according to EN 62471 under normal operation condition, which considers all photobiological risks. It corresponds to Risk Group 1 according to EN 62778 under those conditions, which considers risk from blue light only.
- The light output can potentially cause eye injury if stared at for a prolonged period of time


### Parts Diagram



1. Fan Intake Vent
2. ON/OFF Switch
3. Vent Holes
4. Tilt Lock Lever
5. Yoke
6. USB Type-A Port (5V/1A Power)
7. DMX Input (XLR-Male 5-pin)
8. Junior Pin Receiver
9. Handle
10. OLED
11. Intensity Control Knob
12. CCT/HUE Knob
13. GN/SAT Knob
14. Navigation Pad
15. USB Type-C Port  
(For updating firmware)
16. LAN Port
17. DMX Output (XLR-Female 5-pin)
18. AC Input Port

## Fixture Operation


### • Mode Selection


Use Navigation Pad  to enter MODES menu, then navigate to select the desired mode.



### • Fixture Control

#### 1 Manual / Local :

Use Intensity Control Knob or the Navigation Pad  to control the parameters.

For CCT modes and HSI modes, use either CCT/HUE Knob and GN/SAT Knob or the Navigation Pad .



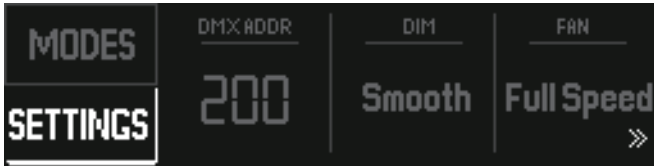
#### 2 DMX / RDM / Ethernet (ArtNet / sACN) :

Display shows DMX connection status, NO DMX or DMX OK.



## Settings

Use Navigation Pad  to enter and edit SETTINGS. Navigate to the right to access additional settings.



### • Fan speed options

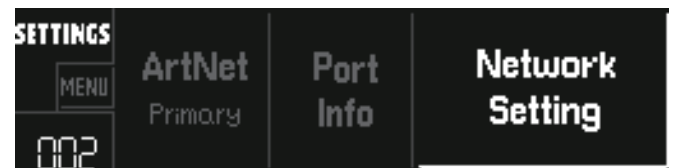
Off	The fan is completely off. (Operation time is limited.)
Variable	The fan speed varies based on light intensity.
Silent	The fan operates at reduced speed.
Full Speed	The fan operates at full speed.

### • Dimming options

Sharp	Best for flash and strobe effects.
Smooth	Best for gradual fades.

### • Ethernet

Modify ArtNet and sACN settings of the fixture.



### • Info

View current fixture firmware versions and fixture temperature.

