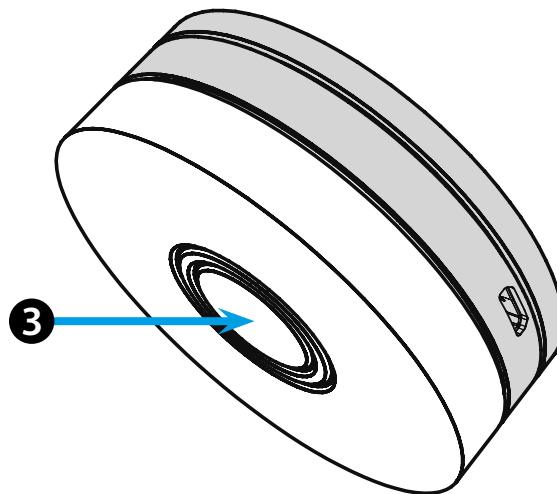
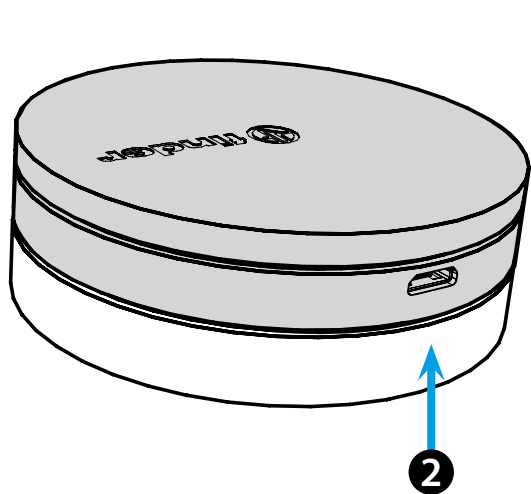
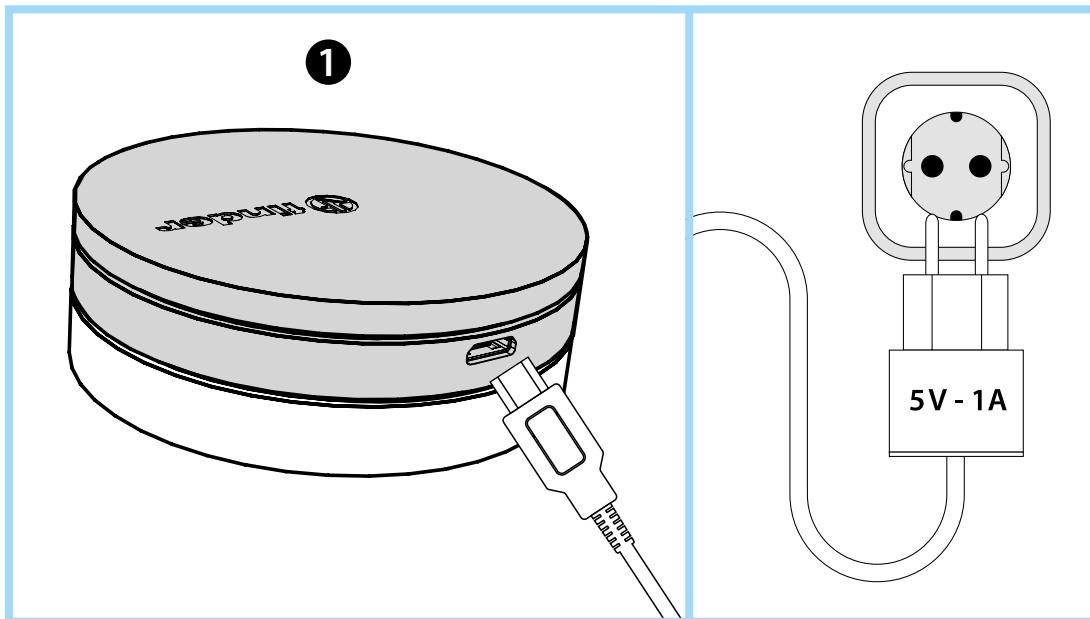




**1Y.GU.005.1**  
**2<sup>nd</sup> GENERATION**

Utility Model - IB1YGU0051VXX - 08/22 - Finder S.p.A. con unico socio - 10040 ALMESE (TO) - ITALY



# ENGLISH

1Y.GU.005.1 GATEWAY 2<sup>nd</sup> GENERATION Wi-Fi 2.4 GHz - Radio 868 MHz

## 1 INSTALLATION

Connect the Micro USB connector to the Gateway and the power supply to the electrical outlet.

After switching on, the Gateway's luminous base will flash with a fading white light, awaiting configuration.

**YESLY:** Use the YESLY APP Finder to configure the Gateway, *only after creating the Yesly system with the TOOLBOX PLUS App Finder.*

For more information: [yesly.life/setup-gateway](https://yesly.life/setup-gateway)

**SMART BLISS2 THERMOSTAT:** Use the FINDER BLISS application to configure the Gateway and the Smart Bliss2 Thermostat.

For more information: [yesly.life/setup-bliss2](https://yesly.life/setup-bliss2)

## 2 LUMINOUS BASE

### WHITE LED

- **Flashing fading:** waiting for configuration

- **Fixed:** connection established with both the Wi-Fi network and the Cloud

- **2 flashes:** connected only to the Wi-Fi network - no connection to the Cloud (internet not active)

- **3 flashes:** no connection to the Wi-Fi network and no connection to the Cloud (internet not active)

### BLUE LED

**Flashing:** sending Bluetooth commands to the devices

### RED LED

**Flashing:** commands are sent to the Smart Bliss2 thermostat

## 3 GATEWAY SETTING

To change the light intensity of the GATEWAY base:

- press the button once: Low brightness

- press the button twice: Medium-Low brightness

- press the button 3 times: Medium-High brightness

- press the button 4 times: High brightness

### RESET

Press the button for > 10 seconds to reset the settings to factory



**YESLY**



**BLISS2**

