

Wall Rangehood, 120cm, Box Chimney

Series 7 | Contemporary

Stainless Steel and Glass

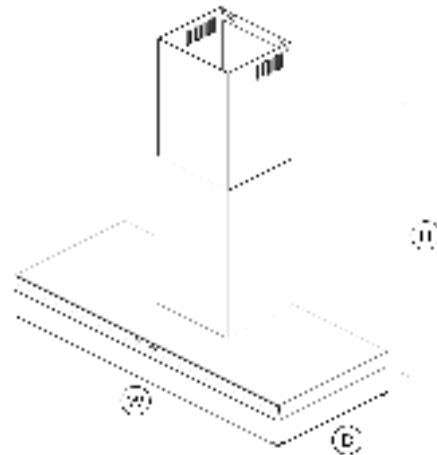


The wall chimney rangehood has a contemporary styling, extracting steam, grease and cooking odours quietly and efficiently.

- With three fan speeds, select the perfect extraction rate for your cooking
- Powerful maximum air movement of 800m³/hr
- Energy-efficient LED lighting to illuminate your cooking surface

DIMENSIONS

| | |
|--------|---------------|
| Height | 595 - 1035 mm |
| Width | 1198 mm |
| Depth | 500 mm |



FEATURES & BENEFITS

Effective and quiet

This rangehood features three fan speeds, providing powerful extraction to quickly remove odours and steam. The timer keeps the rangehood working for up to 15 minutes before automatically turning off.

Simple To Use

This Fisher & Paykel rangehood features a sleek and easy to use touch-control panel. Low energy, dimmable LED lights provide superb illumination over the entire cooking surface.

Easy cleaning

Designed for simple removal, the filters are easy to clean and dishwasher safe. The stainless steel mesh cover just needs a quick wipe to keep clean. An alert reminds you when to clean the filter to ensure you get the best performance out of your rangehood.

Seamless integration

This wall chimney rangehood features sleek black glass and stainless steel styling that will complement any contemporary kitchen, and is designed to match the rest of Fisher & Paykel's kitchen appliance family.

SPECIFICATIONS

Accessories (included)

| | |
|------------------|--------|
| Aluminium filter | 791824 |
|------------------|--------|

Accessories (sold separately)

| | |
|-----------------------------|--------|
| Chimney extension | 791774 |
| Ducting solution | • |
| Light bulb | 791822 |
| Recirculation carbon filter | 791823 |
| Recirculation diverter | 791820 |

Fan ratings

| | |
|---------------------------|------------------------|
| Maximum air movement | 800 m ³ /hr |
| Maximum motor performance | 1200 cm/hr |
| Maximum sound rating | 65 dBA |

Installation and cleaning

| | |
|----------------------------------|----------------|
| Dishwasher safe filters | 4 |
| Ducted | Top extraction |
| Two piece height adjustable flue | • |

SKU 81335



Our In-use Energy Carbon Emissions Estimate is designed to assist customers in making informed purchasing decisions when comparing different Fisher & Paykel products. For example, a heat pump dryer typically has a lower In-use Energy Carbon Emissions Estimate than a vented dryer.

The product dimensions and specifications in this page apply to the specific product and model. Under our policy of continuous improvement, these dimensions and specifications may change at any time. You should therefore check with Fisher & Paykel's Customer Care Centre to ensure this page correctly describes the model currently available. © Fisher & Paykel Appliances Ltd 2020

Performance

| | |
|-------------------------|---------|
| Airflow balancing plate | • |
| Extraction type | Surface |
| Fan speeds | 3 |
| Filter type | Mesh |
| Number of filters | 4 |

Other product downloads available at fisherpaykel.com

- [↓](#) 2D-DWG Wall Rangehood
- [↓](#) 2D-DXF Wall Rangehood
- [↓](#) Archicad Wall Rangehood
- [↓](#) Data Sheet Wall Rangehood
- [↓](#) Service & Warranty
- [↓](#) Installation Guide 
- [↓](#) Installation Guide
- [↓](#) Revit Wall Rangehood
- [↓](#) Rhino Wall Rangehood
- [↓](#) Sketchup Wall Rangehood
- [↓](#) User Guide 
- [↓](#) User Guide

Power requirements

| | |
|------------------|-------|
| Lighting power | 100 W |
| Motor power | 270 W |
| Supply frequency | 50 Hz |
| Total Power | 370 W |

Where applicable:

All appliances use energy, and energy usage typically generates carbon emissions. **Fisher & Paykel Appliances' In-use Energy Carbon Emissions Estimate** indicates carbon emissions from a product's in-use energy. This is calculated either annually or per cycle, using the product's market-specific energy label energy consumption data multiplied by the carbon emissions factor for energy in your country or region.

Product dimensions

| | |
|--------|---------------|
| Depth | 500 mm |
| Height | 595 - 1035 mm |
| Width | 1198 mm |

Ventilation features

| | |
|-----------------------|---------|
| Dimmable lights | • |
| Filter cleaning alert | • |
| Light type | Halogen |
| Timer function | • |