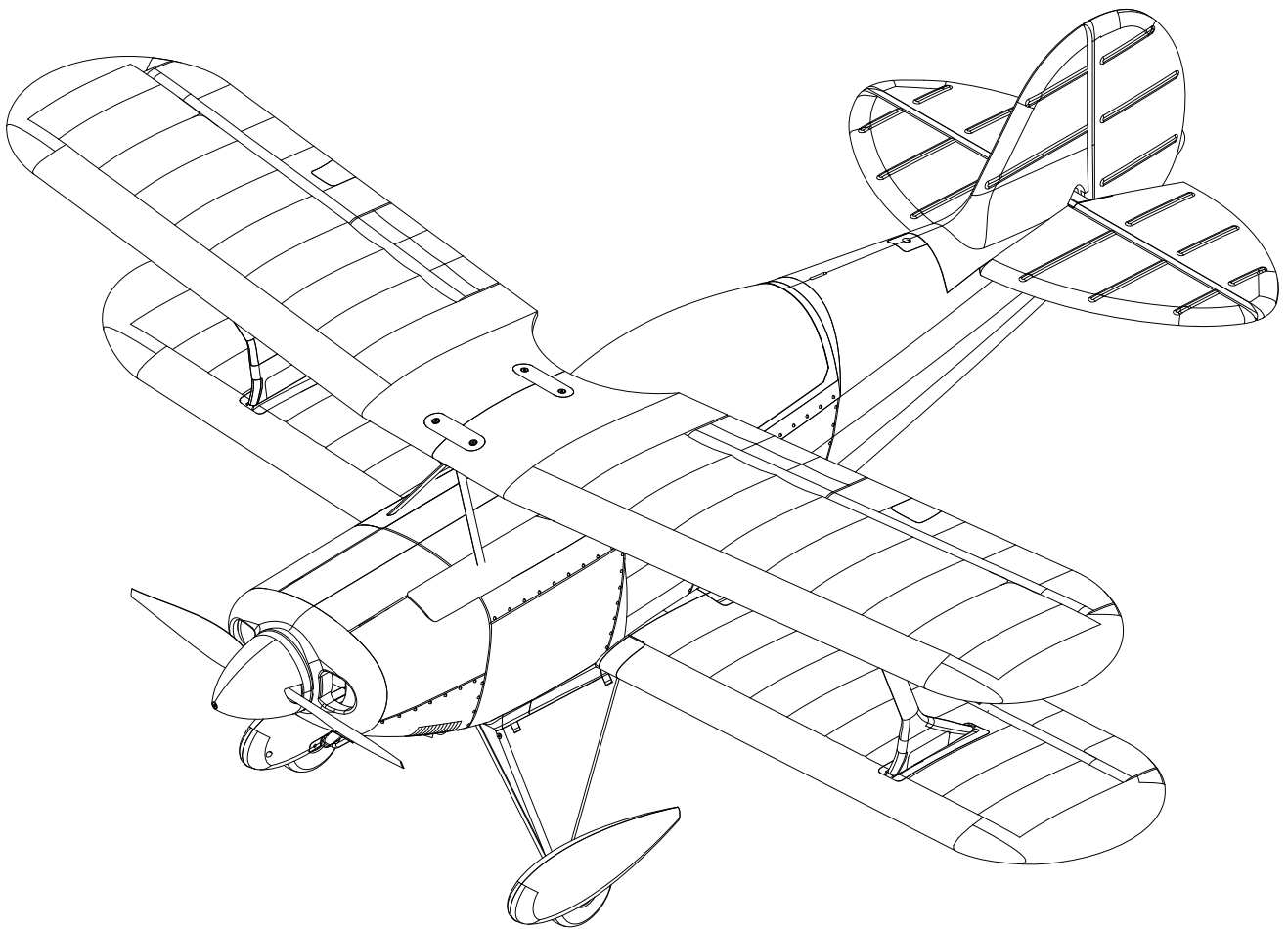




1400mm Pitts



Instruction Manual
Bedienungsanleitung
Manuel d'utilisation
操作手册

SIMPLE

REALISTIC

RIGID

FMSMODEL.COM

WARNING

WARNING: Read the ENTIRE instruction manual to become familiar with the features of the product before operating. Failure to operate the product correctly can result in damage to the product, personal property and cause serious injury.

This is a sophisticated hobby product and NOT a toy. It must be operated with caution and common sense and failure to do so could result in injury or damage to the product or other property. This product is not intended for use by children without direct adult supervision.

This manual contains instructions for safety operation and maintenance. It is essential to read and follow all the instructions and warnings in the manual prior to assembly, setup or use, in order to operate and avoid damage or serious injury.

Safety precautions and warnings

As the user of this product, you are solely responsible for operating in a manner that does not endanger yourself and others or result in damage to the product or the property of others. This model is controlled by a radio signal subject to interference from many sources outside your control. This interference can cause momentary loss of control so it is advisable to always keep a safe distance in all directions around your model, as this margin will help avoid collisions or injury.

Age Recommendation: Not for children under 14 years. This is not a toy.

- Never operate your model with low transmitter batteries.
- Always operate your model in an open area away from cars, traffic or people.
- Avoid operating your model in the street where injury or damage can occur.
- Never operate the model in populated areas for any reason.
- Carefully follow the directions and warnings for this and any optional support equipment you use (chargers, rechargeable battery packs, etc.)
- Keep all chemicals, small parts and anything electrical out of the reach of children.
- Moisture causes damage to electronics. Avoid water exposure to all equipment not specifically designed and protected for this purpose.
- Never lick or any place of any your model in your mouth as it could cause serious injury or even death.

Safety**Lithium Polymer (Li-Po) Battery Warning**

CAUTION: Always follow the manufacturer's instructions for safe use and disposal of batteries. Fire, property damage, or serious injury can result from the mishandling of Li-Po batteries.

- By handling, charging or using a Li-Po Battery you assume all risks associated with lithium batteries.
 - If at any time the batteries begin to swell or balloon, discontinue use immediately!
 - Always store the batteries at room temperature in a dry area to extend the life of the battery. Always transport or temporarily store the battery in a temperature range of 40-120F. Do not store the battery or model in a car or in direct sunlight. If stored in a hot car, the battery can be damaged or even catch fire.
 - Never use a Ni-Mh Charger to charge Li-Po Batteries. Failure to charge the battery with a Li-Po compatible charger may cause fire resulting in personal injury and property damage.
 - Never discharge Li-Po Cells below 3V.
 - Never leave charging batteries unattended.
 - Never charge damaged batteries.
- Charging the Flight Battery Warning**
- Use a battery charger that is designed to safely charge the Li-Po Battery. Read the charger instructions carefully before use. When charging the battery, make certain the battery is on a heat resistant surface. It is also highly recommended to place the Li-Po Battery inside a fire resistant charging bag readily available at hobby shops or online.

Introduction

The Pitts Special is a light aerobatic biplane designed by Curtis Pitts. It has accumulated many competitions wins since its first flight in 1944. The Pitts biplanes dominated world aerobatic competition in the 1960s and 1970s and, even today, remain a potent competition aircraft in the lower categories.

Built upon the successful V1 Pitts biplane, FMS is proud to announce the brand-new Pitts V2. Redesigned with a massive 1400mm wingspan, the Pitts V2 is constructed of lightweight and robust EPO foam material. Proprietary connector plugs built into the wing structure means that the wings can be attached to and detached from the fuselage using just a few screws. The slide-fit wing struts are just as simple, slide them on in just a few seconds and the wing is securely braced!

An oversized battery bay accommodates most 6S packs with ease- giving the pilot ample power to attempt all aerobatic maneuvers. Hobbywing 50A ESC provides bulletproof performance!

While ensuring that the Pitts Special is faithfully recreated, FMS has worked hard to minimize its profit margins in the hopes that pilots who love the Pitts V2 will find it affordable.

With graceful lines from a bygone era, robust airframe and a state-of-the-art power system, the Pitts V2 is a model you shouldn't miss!

Features:

- Power: 4258 brushless motor, 50A Hobbywing-sourced ESC, 17g servos.
- Realistic trim scheme, rivets, panel lines and pilot figure.
- Screw-together assembly greatly reduces assembly time.
- Oversized battery compartment for larger, more powerful 6S packs.
- Robust and durable EPO construction.

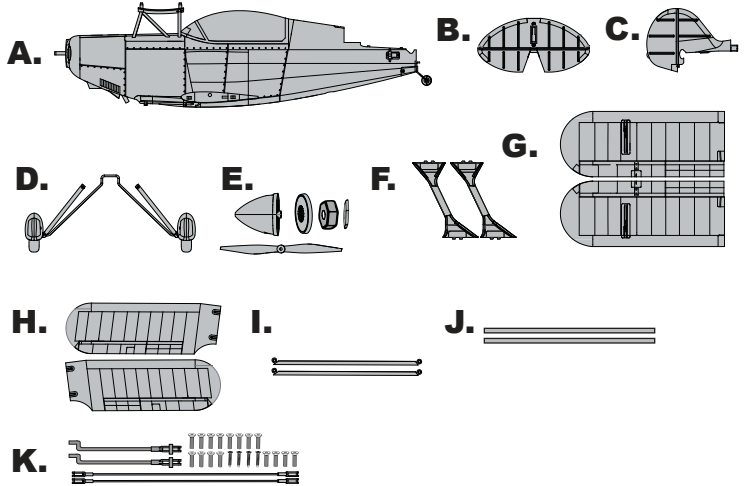
Table of contents

Introduction	4
Kit contents	4
Model assembly	5
Battery installation	9
Receiver diagram	9
Get your model ready to fly	9
Clevis installation	11
Control horn and servo arm settings	11
Center of gravity(CG)	11
Before flying the model	12
Flying course	12
Troubleshooting	13
Spare parts list content	13

Kit contents

Before assembly, please inspect the contents of the kit. The photo below details the contents of the kit with labels. If any parts are missing or defective, please identify the name or part number (refer to the spare parts list near the end of the manual) then contact your local shop or email us: support@fmsmodel.com.

Specifications
Wingspan: 1400mm (55.1 in)
Overall Length: 1298mm (51.1 in)
Flying Weight: ~ 3500g
Motor Size: 4258 KV460
Wing Load: 72.5 g/dm ² (0.15oz/in ²)
Wing Area: 48.3 dm ² (748.5 sq.in)
ESC: 50A
Servo: 17g Servo x 4
Recommended Battery: 22.2V 4000mAh 35c

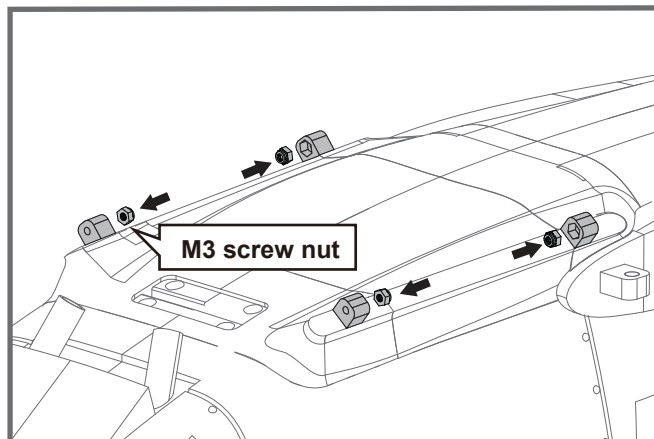


- | | | |
|--------------------------|---------------------------------|------------------------|
| A: Fuselage | F: Interplane struts | K: pushrods and Screws |
| B: Horizontal stabilizer | G: Lower main wings | (KA2.0X8mm*4 |
| C: Vertical stabilizer | H: Upper main wings | KA2.6X12mm*1 |
| D: Landing gear | I :Horizontal stabilizer struts | HKM3.0X20mm*4 |
| E: Propeller components | J:Wing spar | HKM3.0X10mm*12) |

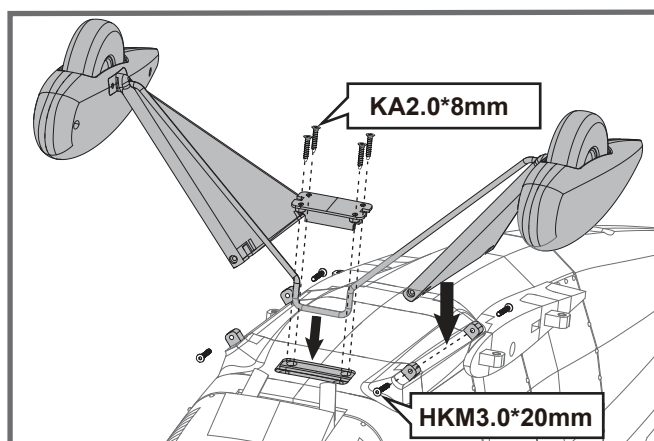
Model assembly

Main landing gear assembly

1. Apply screw nuts to the plastic parts as shown.

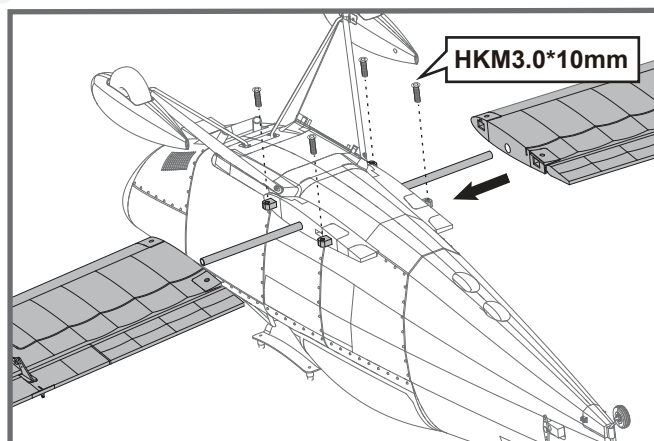


2. With the fuselage inverted, install the landing gear assembly and retainer then secure it with screws as shown in the diagram.



Lower wing assembly

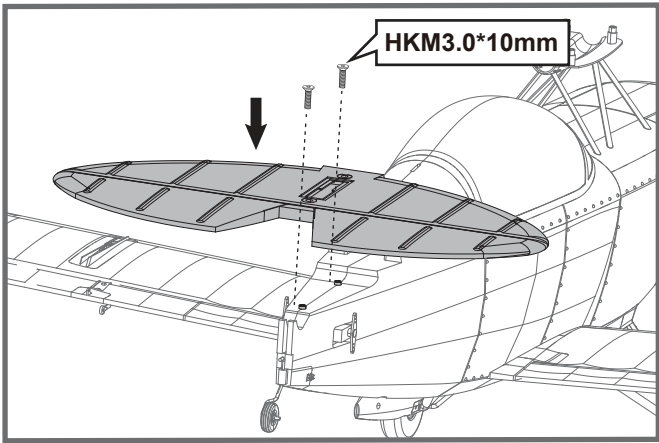
1. With the fuselage still inverted, install the wing spar and the wing halves. Secure the wing sections with the HKM3.0*10mm screws.



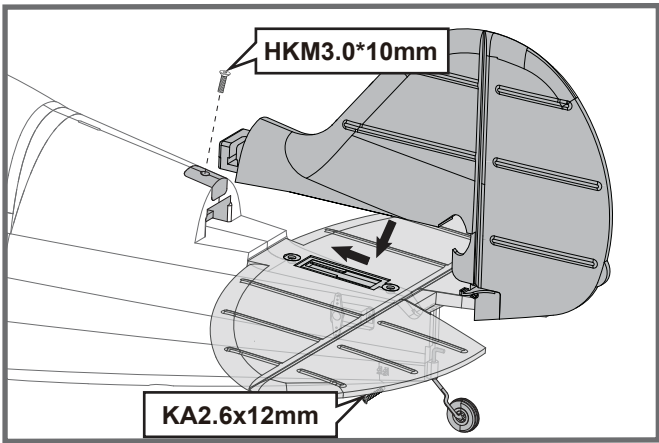
Model assembly

Installation of the horizontal and vertical stabilizers

1. Install the horizontal stabilizer into the fuselage cutout and secure the assembly with screws.

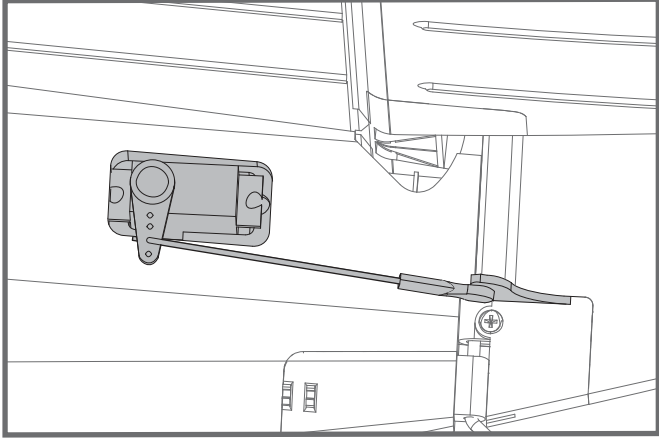


- 2. Align the vertical stabilizer with the horizontal stabilizer and push the surface down and forward until it is held securely in place.
- 3. Secure the vertical stabilizer and tail wheel using the included screws.



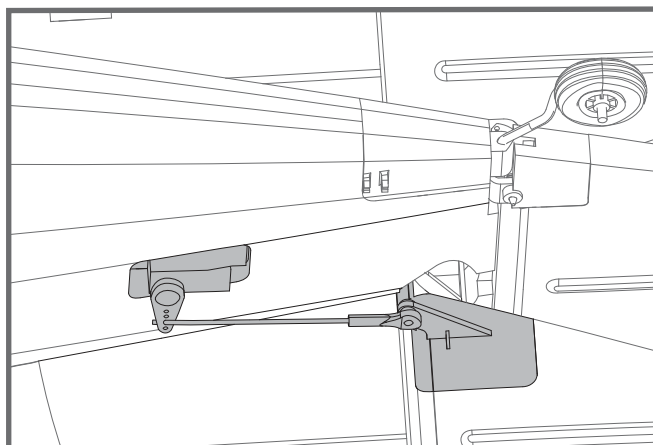
Pushrod installation

1. Install the pushrod to the control horn on the vertical stabilizer as shown.



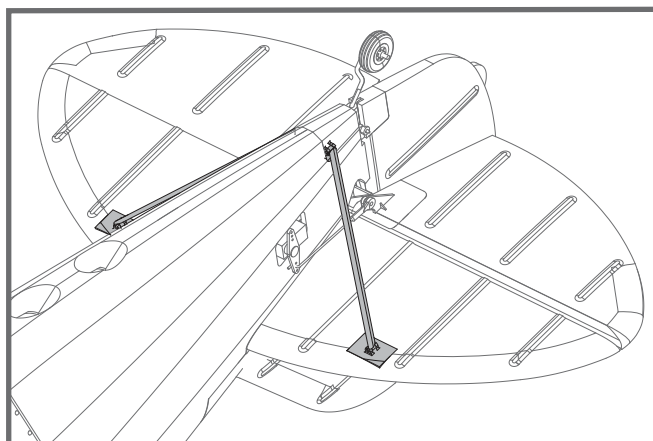
Model assembly

2. Install the pushrod to the control horn on the horizontal stabilizer as shown.



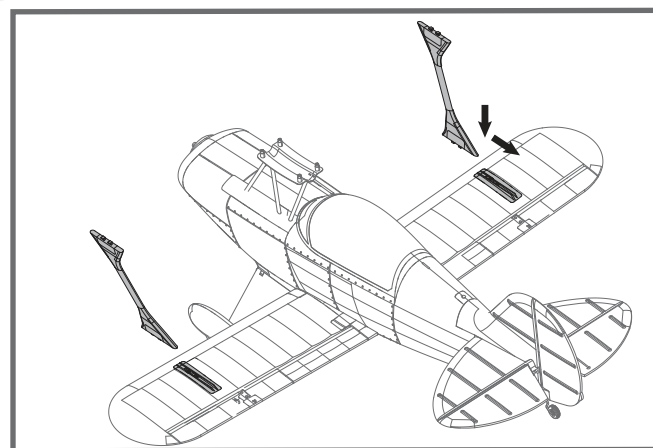
Installation of the horizontal stabilizer struts

1. Connect the horizontal stabilizer and the fuselage using the included horizontal stabilizer struts by sliding them into place.



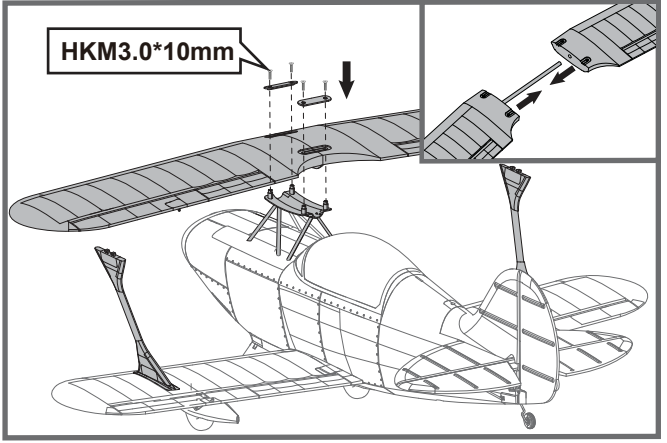
Upper wing installation

1. Install the interplane struts onto the retainer on the lower wing.

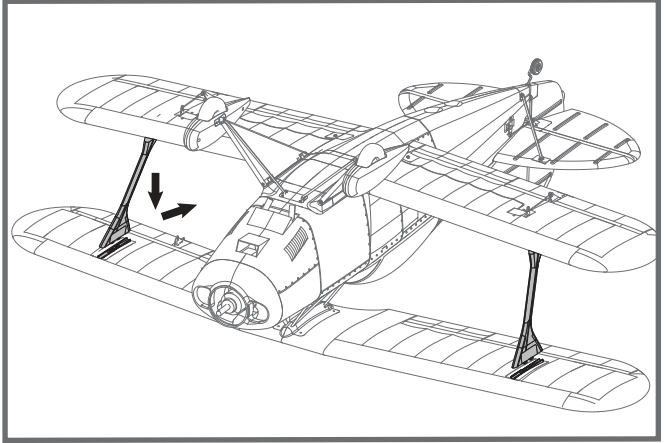


Model assembly

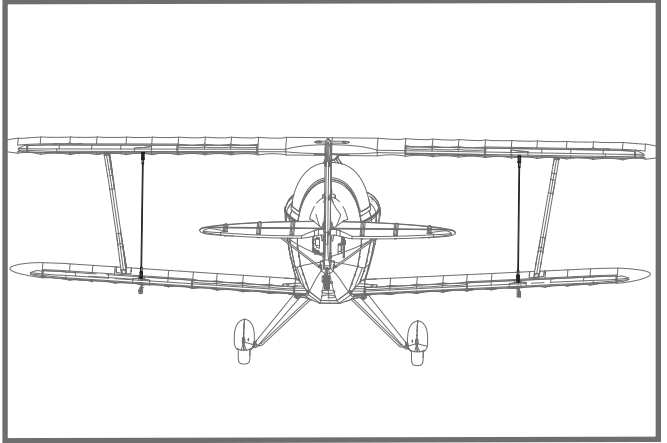
- 2. Install the wing spar between the two upper wing halves.
- 3. Secure the upper wing onto the mounting bracket by using the included screws and retainer as shown in the diagram.



- 4. Once both wing halves are aligned, push the inter-plane strut rearwards to lock the structure.

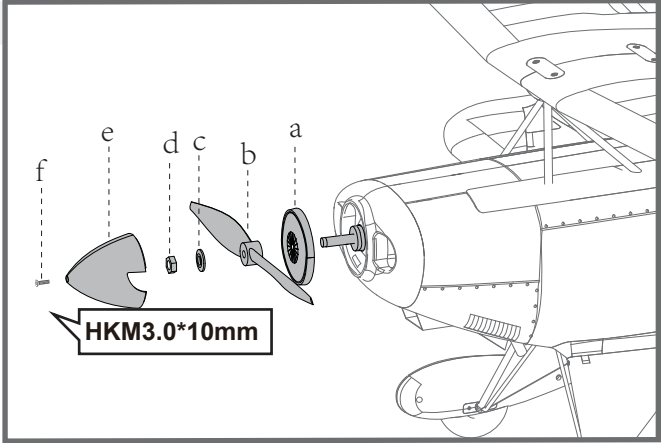


- 5. Connect the aileron pushrods between the upper and lower wings as shown in the diagram.



Propeller installation

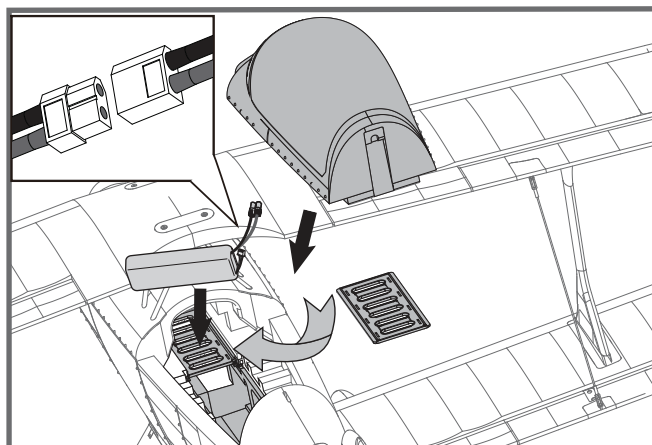
- 1. Assemble the propeller and spinner in the order shown.



Battery installation

1. Pull back on the latch and remove the battery hatch.
2. Apply the hook tape to the cable end of the battery.
3. Slide the full charged battery into the battery compartment with the power supply cable toward the rear end of the plane.

Note: The center of gravity can be adjusted by moving the battery forward or aft. Having the correct center of gravity is critical to achieving proper flight characteristics.



Receiver diagram

The cables from the servo connector board should be connected to your receiver in the order shown. Note that the LEDs can be powered by any spare channel on the receiver. Tuck the wire leads into the recessed cavity towards the rear of the battery hatch.

		Receiver
Aileron	1	Channel-1 — Aile
Elevator	2	Channel-2 — Elev
Throttle	3	Channel-3 — Thro
Rudder	4	Channel-4 — Rudd
Gear	5	Channel-5 — Gear
spare		Spare Channel

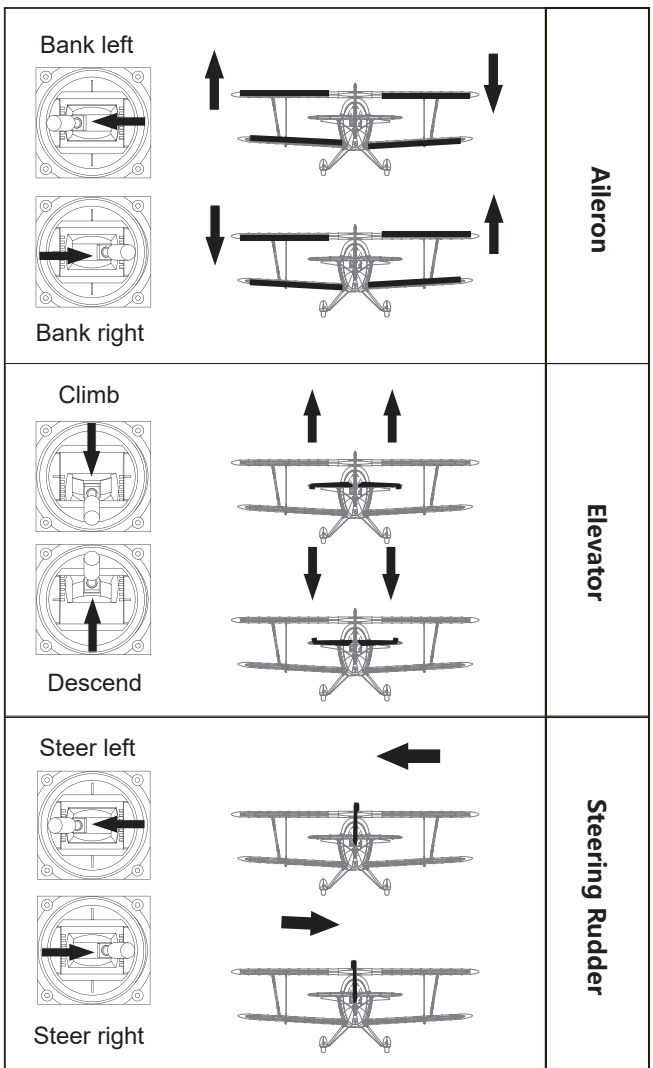
Get your model ready to fly

Important ESC and model information

1. The ESC included with the model has a safe start. If the motor battery is connected to the ESC and the throttle stick is not in the low throttle or off position, the motor will not start until the throttle stick is moved to the low throttle or off position. Once the throttle stick is moved to the low throttle or off position, the motor will emit a series of beeps. Several beeps with the same tune means the ESC has detected the cells of the battery. The count of the beeps equals the cells of the battery. The motor is now armed and will start when the throttle is moved.
2. The motor and ESC come pre-connected and the motor rotation should be correct. If for any reason the motor is rotating in the wrong direction, simply reverse two of the three motor wires to change the direction of rotation.
3. The motor has an optional brake setting. The ESC comes with brake switched off and we recommend that the model be flown with the brake off. However, the brake could be accidentally switched on if the motor battery is connected to the ESC while the throttle stick is set at full throttle. To switch the brake off, move the throttle stick to full throttle and plug in the motor battery. The motor will beep one time. Move the throttle stick to low throttle or the off position. The motor is ready to run and the brake will be switched off.
4. Battery Selection and Installation. We recommend the 22.2V 4000mAh 35c Li-Po battery. If using another battery, the battery must be at least a 22.2V 4000mAh 35c battery. Your battery should be approximately the same capacity, dimension and weight as the 22.2V 4000mAh 35c Li-Po battery to fit the fuselage without changing the center of gravity significantly.

Transmitter and model setup

Before getting started, bind your receiver with your transmitter. Please refer to your transmitter manual for proper operation.
CAUTION: To prevent personal injury, DO NOT install the propeller assembly onto the motor shaft while testing the control surfaces. DO NOT arm the ESC and do not turn on the transmitter until the Transmitter Manual instructs you to do so.
 Tips: Make sure all control sticks on your radio are in the neutral position (rudder, elevator, ailerons) and the throttle is in the OFF position. Make sure both ailerons move up and down (travel) the same amount. This model tracks well when the left and right ailerons travel the same amount in response to the control stick. Move the controls on the transmitter to make sure the aircraft control surface moves correctly. See diagrams right.



Control throws

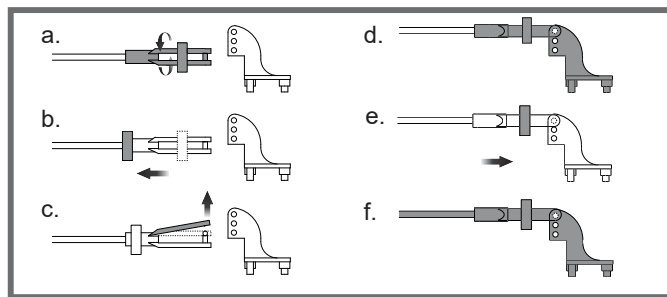
The suggested control throw setting for the pitts are as follows (dual rate setting):

Tips: On the first flight, fly the model in low rate. The first time you use high rates, be sure to fly at low to medium speeds. High rate, as listed, is only for EXTREME maneuvering.

	High Rate	Low Rate
Elevator	20mm up / down	16mm up / down
Aileron	18mm up / down	14mm up / down
Rudder	24mm left / right	20mm left / right

Clevis installation

1. Pull the tube from the clevis to the linkage.
2. Carefully spread the clevis, then insert the clevis pin into the desired hole in the control horn.
3. Move the tube to hold the clevis on the control horn.



Control horn and servo arm settings

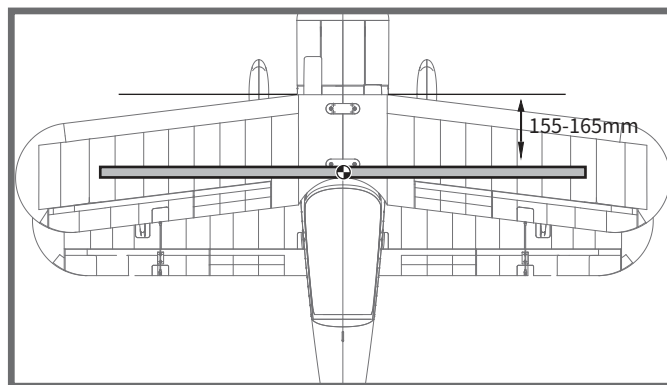
The table shows the factory settings for the control horns and servo arms. Fly the aircraft at the factory settings before making changes. After flying, you may choose to adjust the linkage positions for the desired control response.

	Horns	Arms	More control throw
Elevator			
Rudder			
Ailerons			
			Less control throw

Check the C.G. (Center of gravity)

When balancing your model, adjust the battery as necessary so the model is level or slightly nose down. This is the correct balance point for your model. After the first flight, the CG position can be adjusted for your personal preference.

1. The recommended Center of Gravity (CG) location for your model is (155-165mm) from the leading edge of the main wing (as shown) with the battery pack installed. Mark the location of the CG on top of the wing.
2. When balancing your model, support the plane at the marks made on the bottom of the main wing with your fingers or a commercially available balancing stand. This is the correct balance point for your model. Make sure the model is assembled and ready for flight before balancing.



Before flying the model

Find a suitable flying site

Find a flying site clear of buildings, trees, power lines and other obstructions. Until you know how much area will be required and have mastered flying your plane in confined spaces, choose a site which is at least the size of two to three football fields - a flying field specifically for R/C planes is best. Never fly near people - especially children, who can wander unpredictably.

Perform the range check for your plane

As a precaution, an operational ground range test should be performed before the first flight each time you go out. Performing a range test is a good way to detect problems that could cause loss of control such as low batteries, defective or damaged radio components, or radio interference. This usually requires an assistant and should be done at the actual flying site you will be using.

First turn on the transmitter, then install a fully-charged battery into the fuselage. Connect the battery and install the hatch.

Remember, use care not to bump the throttle stick. Otherwise, the propeller/fan will turn and possibly cause damage or injury.

Note: Please refer to your Transmitter Manual that came with your radio control system to perform a ground range check. If the controls are not working correctly or if anything seems wrong, do not fly the model until you correct the problem. Make certain all the servo wires are securely connected to the receiver and the transmitter batteries have a good connection.

Monitor your flight time

Monitor and limit your flight time using a timer (such as on a wristwatch or in your transmitter if available). When the batteries are getting low you will usually notice a performance drop before the ESC cuts off motor power, so when the plane starts flying slower you should land. Often (but not always) power can be briefly restored after the motor cuts off by holding the throttle stick all the way down for a few seconds. To avoid an unexpected dead-stick landing on your first flight, set your timer to a conservative 4 minutes. When your alarm sounds you should land right away.

Flying course

Take off

While applying power, slowly steer to keep the model straight. The model should accelerate quickly. As the model gains flight speed you will want to climb at a steady and even rate. It will climb out at a nice angle of attack (AOA).

Flying

Always choose a wide-open space for flying your plane. It is ideal for you to fly at a sanctioned flying field. If you are not flying at an approved site always avoid flying near houses, trees, wires and buildings. You should also be careful to avoid flying in areas where there are many people, such as busy parks, schoolyards, or soccer fields. Consult laws and ordinances before choosing a location to fly your aircraft. After takeoff, gain some altitude. Climb to a safe height before trying technical manoeuvres, including high speed passes, inverted flight, loops, and point rolls.

Landing

Land the model when you hear the motor pulsing (LVC) or if you notice a reduction in power. If using a transmitter with a timer, set the timer so you have enough flight time to make several landing approaches. The model's three point landing gear allows the model to land on hard surfaces. Align model directly into the wind and fly down to the ground. Fly the airplane down to the ground using 1/4-1/3 throttle to keep enough energy for proper flare. Before the model touches down, always fully decrease the throttle to avoid damaging the propeller or other components. The key to a great landing is to manage the power and elevator all the way to the ground and set down lightly on the main landing gear. After a few flights you will find the model can be set down lightly on the mains and you can hold the nose wheel off balancing the model on the mains until it slows and gently settles the nose.

Maintenance

Repairs to the foam should be made with foam safe adhesives such as hot glue, foam safe CA, and 5min epoxy. When parts are not repairable, see the Spare Parts List for ordering by item number. Always check to make sure all screws on the aircraft are tightened. Pay special attention to make sure the spinner is firmly in place before every flight.

Trouble shooting

Problem	Possible Cause	Solution
Aircraft will not respond to the throttlebut responds to other controls.	-ESC is not armed. -Throttle channel is reversed.	-Lower throttle stick and throttle trim to lowest settings. -Reverse throttle channel on transmitter.
Extra propeller noise or extra vibration.	-Damaged spinner, propeller, motor or motor mount. -Loose propeller and spinner parts. -Propellor installed backwards.	-Replace damaged parts. -Tighten parts for propeller adapter, propeller and spinner. -Remove and install propeller correctly.
Reduced flight time or aircraft underpowered.	-Flight battery charge is low. -propeller installed backward. -Flight battery damaged.	-Completely recharge flight battery. -Replace flight battery and follow flight battery instructions.
Control surface does not move, or is slow to respond to control inputs.	-Control surface, control horn, linkage or servo damage. -Wire damaged or connections loose.	-Replace or repair damaged parts and adjust controls. -Do a check of connections for loose wiring.
Controls reversed.	Channels are reversed in the transmitter.	Do the control direction test and adjust controls for aircraft and transmitter.
-Motor loses power -Motor power pulses then motor loses power.	-Damage to motor, or battery. -Loss of power to aircraft. -ESC uses default soft Low Voltage Cutoff(LVC).	-Do a check of batteries, transmitter, receiver, ESC, motor and wiring for damage(replace as needed). -Land aircraft immediately and recharge flight battery.
LED on receiver flashes slowly.	Power loss to receiver.	-Check connection from ESC to receiver. -Check servos for damage. -Check linkages for binding.

Spare parts list content

FMSRY101	Fuselage	FMSRY116	Linkage Rod
FMSRY102	Main Wing Set(top)	FMSRY117	Screws Set
FMSRY103	Main Wing Set(lower)	FMSRY118	Stickers
FMSRY104	Vertical Stabilizer	FMSRY119	Pipe
FMSRY105	Horizontal Stabilizer	FMSRY120	Battery Tray
FMSRY106	Canopy	FMSPROP035	Propeller
FMSRY107	Canopy	FMSBM003	Motor Board
FMSRY108	Cowl	FMSDZ005	Motor Shaft
FMSRY109	Front Landing Gear Set	FMSDJ014	Motor Mount
FMSRY110	Front Landing Gear Mounting Plate	PRKV460E	4258-KV460 motor
FMSRY111	Interplane Strut	PRESC033	50A ESC with 5A BEC
FMSRY112	Cabane	FMS17GAP	17g analog gear servo positive
FMSRY113	Spinner		
FMSRY114	Inclined Stay Bar		
FMSRY115	Rear landing Gear Assembly		

Visit our website: www.fmsmodel.com to see photo of this product. Enter the key word "ESC" in the search bar for the stock ESC instruction manual.