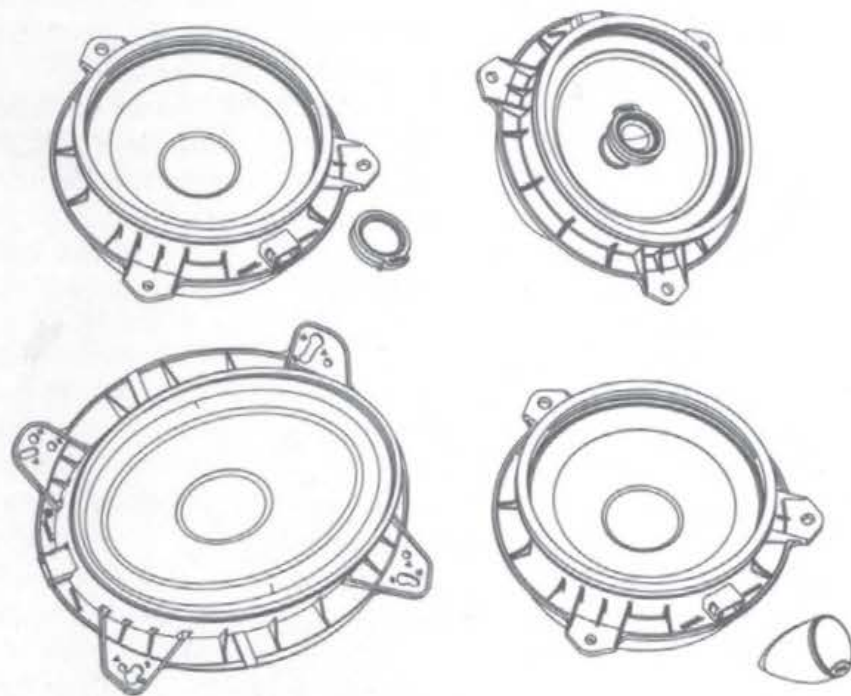


IC TOY 165, IS TOY 165, IS TOY 690 & IS TOY 165 TWU

Manuel d'utilisation / User Manual / Gebrauchsanleitung /
Manuale d'uso / Manual de uso / Manual de utilização /
Handleiding / Руководство по эксплуатации /
使用手册 / 사용 설명서 / 取扱説明書 / دليل المستخدم



Français : page 22
English : page 24

 **FOCAL**[®]
LISTEN BEYOND



READ FIRST!
IMPORTANT SAFETY INSTRUCTIONS!



The exclamation mark represented in an equilateral triangle is intended to alert users to the existence of important instructions in the user manual relating to the use and maintenance of the device.

1. Read these instructions.
2. Keep these instructions.
3. Heed all the warnings.
4. Follow all the instructions.
5. To avoid damaging your hearing, do not listen to loudspeakers at high volumes for long periods of time. Listening to loudspeakers at high volumes can cause damage to the user's ears and may lead to hearing problems (temporary or permanent deafness, buzzing in the ears, tinnitus, hyperacusis). Exposure to excessive volumes (over 85 dB) for more than one hour can cause irreparable damage to your hearing.

6. If a subwoofer is installed in your vehicle, it is important to secure it firmly. We recommend that you attach the enclosure to the floor or chassis of the vehicle for safety. If the subwoofer is not properly secured, it could become a projectile in the event of an accident. This point is even more important if the subwoofer is installed in a hatchback, a station wagon, a utility vehicle or a van.



(CEI 60417-6044)

7. If cables or harnesses are provided, use them the proper way (like mentioned in this user manual) without replacing or modifying them.
8. If a fuse is included in the kit or harness, use only same rating one in case of replacement.

**Vérifiez en ligne
les compatibilités et les consignes
d'installation mises à jour.**

**Check Online Updated
Compatibility list
and installation manual.**

www.focal-inside.com

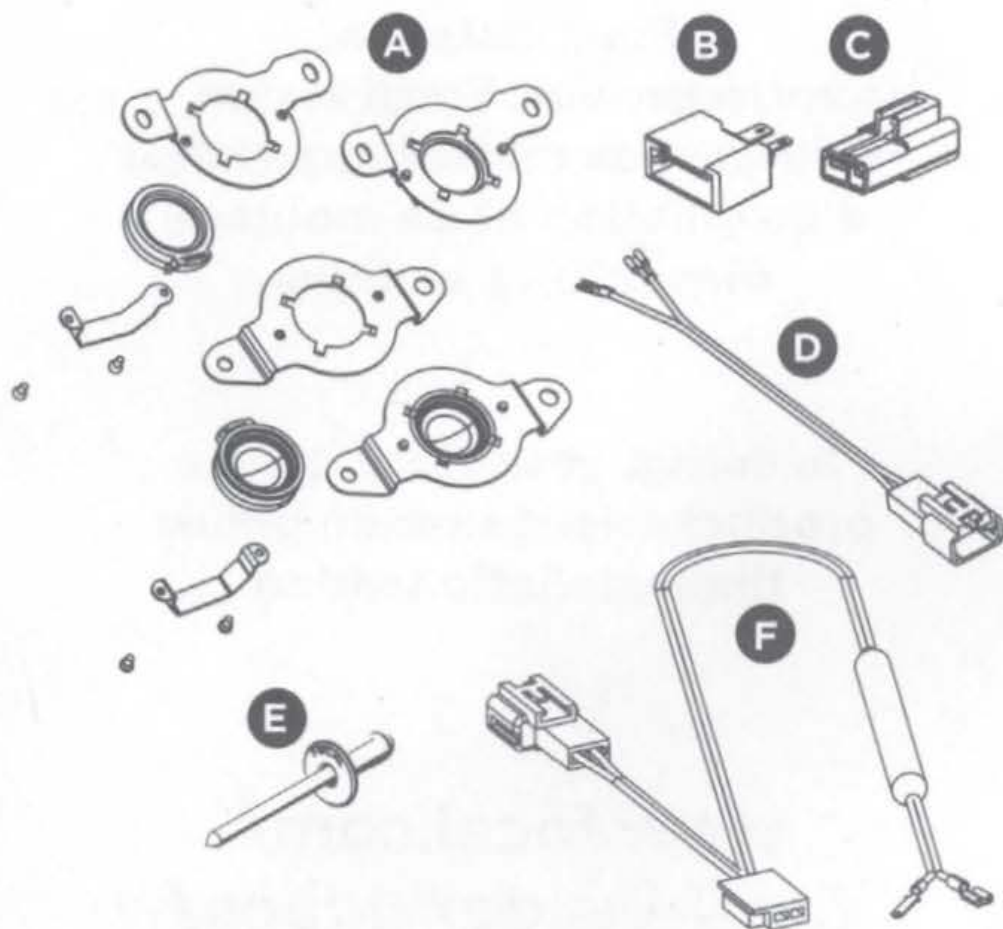


**Pour installer
votre produit Focal Inside,
veuillez-vous référer aux vidéos
d'installation et de montage
disponibles en ligne.**

**To set up your Focal Inside
product, please watch online
the installation video.**

**[www.focal.com/
focal-inside/videos/](http://www.focal.com/focal-inside/videos/)**





IC TOY 165 :

D (x2) / **E** (x8)

IS TOY 165 :

A (x2) / **B** (x2) / **D** (x2) / **E** (x8)

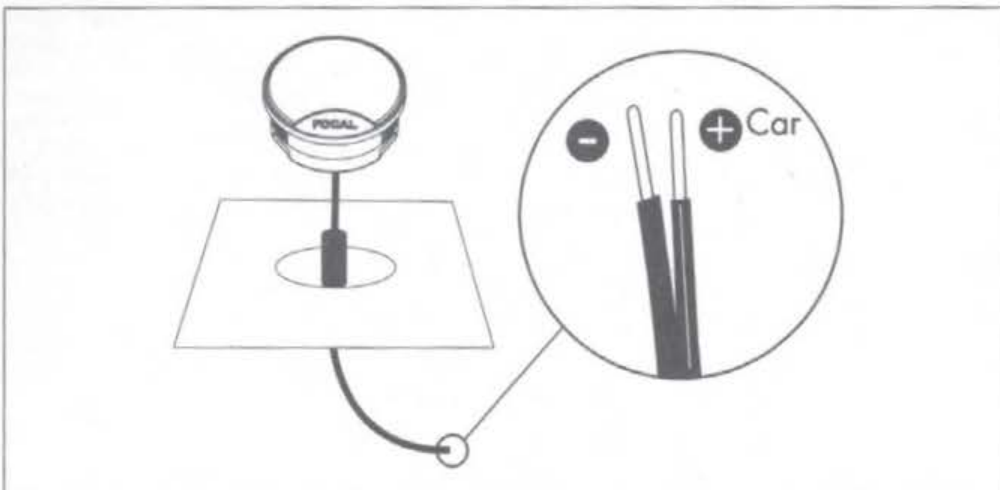
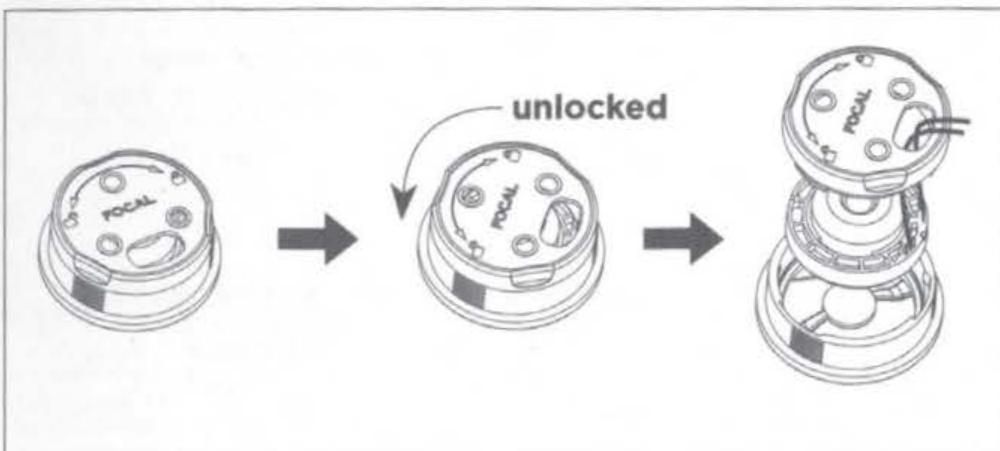
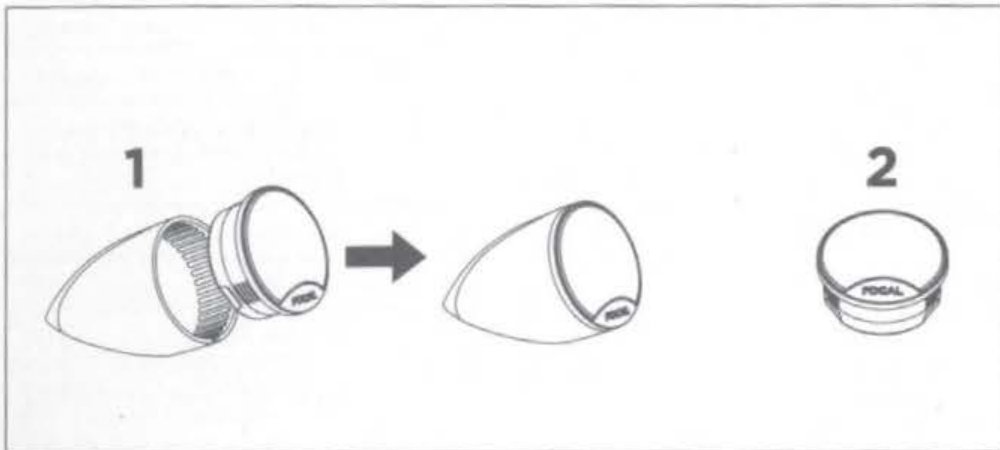
IS TOY 690 :

A (x2) / **B** (x2) / **C** (x2) / **D** (x2) / **E** (x8)

IS TOY 165 TWU :

E (x8) / **F** (x2)

Installation du tweeter TWU / Fitting the TWU tweeter



IC TOY 165, IS TOY 165, IS TOY 690 & IS TOY 165 TWU Specifications

21

	IC TOY 165	IS TOY 165
Voice coil diameter	25 mm	25 mm
Magnet	85 x 15 mm	85 x 15 mm
Cone	Black Polyglass	Black Polyglass
Suspension	Butyl	Butyl
Nominal impedance	4Ω	4Ω
Max. power	120 W	120 W
Nom. power	60 W RMS	60 W RMS
Sensitivity (2,83V/1m)	92,5 dB	91,7 dB
Frequency response	60 Hz - 20 kHz	60 Hz - 20 kHz
Crossover	Integrated	Woofer: integrated Tweeter: on line

	IS TOY 690	IS TOY 165 TWU
Voice coil diameter	30 mm	25 mm
Magnet	90 x 15 mm	85 x 15 mm
Cone	Black Polyglass	Black Polyglass
Suspension	Butyl	Butyl
Nominal impedance	4 Ω	4Ω
Max. power	150 W	120 W
Nom. power	75 W RMS	60 W RMS
Sensitivity (2,83V/1m)	92,3 dB	91,7 dB
Frequency response	50 Hz - 20 kHz	60 Hz - 20 kHz
Crossover	Woofer: integrated Tweeter: on line	Woofer: integrated Tweeter: integrated in the harness

Please validate your Focal-JMlab warranty,
it is now possible to register
your product online:
www.focal.com/warranty



Thank you for choosing Focal kits IC TOY 165, IS TOY 165, IS TOY 690 & IS TOY 165 TWU and for sharing our passion for sound and for music, revealed with precision and purity: "Listen Beyond". Designed using acoustic technologies, these speakers integrate Focal's perfectionist believes, developing products with high power handling, and unrivalled sound quality. To obtain the best results from this product, we recommend that you follow carefully all the information contained in this user's manual. If not correctly followed, any fault observed may not be covered by the warranty.

Conditions of warranty

All Focal loudspeakers are covered by warranty drawn up by the official Focal distributor in your country. Your distributor can provide all details concerning the conditions of warranty. Warranty cover extends at least to that granted by the legal warranty in force in the country where the original purchase invoice was issued.

Our policy of continual product improvement means that Focal-JMlab reserves the right to modify the technical specifications of its products without notice. Product may vary from images.

Important recommendations

Before attempting any installation, check first how much space is available to fit the speakers into the vehicle (cf plans on the packaging), then proceed with the cutting. In the case of assembly in original location, check that there is enough space between the speaker and the protections grille.

- Ensure the speaker is clean from debris and metallic particles that may be attached (especially after drilling).
- Clean before mounting the speakers.

Running period

IC TOY 165, IS TOY 165, IS TOY 690 & IS TOY 165 TWU drive units use the very latest components. To ensure such complex mechanical elements work in harmony with each other, they must be allowed to function correctly in this environment. Changes in temperature and humidity are regarded as very hostile. In order to get the best of your IC TOY 165, IS TOY 165, IS TOY 690 & IS TOY 165 TWU speakers, a running-in period must be respected to ensure they are ready for this. We recommend that, once the system is ready for listening, the drive units should be run-in with medium volume setting, with music that has the full bandwidth of frequencies (sub-bass through treble). This running-in period should last for a few weeks, to gain the full potential. After which the excellent performance of your IC TOY 165, IS TOY 165, IS TOY 690 & IS TOY 165 TWU kits can be fully appreciated.

**Élimination correcte de ce produit.**

Ce marquage indique que ce produit ne doit pas être éliminé avec les autres déchets ménagers au sein de l'UE. Par mesure de prévention pour l'environnement et pour la santé humaine, veuillez le recycler de manière responsable, pour favoriser la réutilisation des ressources matérielles. Pour retourner votre appareil usé, veuillez utiliser les systèmes de retour et de collecte ou contactez le détaillant chez lequel le produit a été acheté. Celui-ci pourra procéder au recyclage du produit en toute sécurité.

**Correct elimination of this product.**

This marking indicates that within the EU this product should not be disposed of with other household wastes. To prevent any risk to the environment or human health, please recycle them responsibly to encourage the reuse of material resources. To return your used device, please use the return and collection systems available, or contact the retailer where you purchased the product. They can recycle this product safely.

**Ordnungsgemäße Entsorgung des Produkts.**

Diese Kennzeichnung weist darauf hin, dass dieses Produkt innerhalb der EU nicht mit anderen Haushaltsabfällen entsorgt werden darf. Als Präventivmaßnahme für die Umwelt und die menschliche Gesundheit muss auf eine verantwortungsbewusste Wiederverwertung zur Förderung der Wiederverwendung von materiellen Ressourcen geachtet werden. Für die Rückgabe von Gebrauchtgeräten verwenden Sie bitte zur Verfügung stehende Rückgabe- und Recyclingsysteme oder wenden Sie sich an den Händler, bei dem Sie das Produkt erworben haben. Letzterer kann das Gerät sicher dem Wertstoffkreislauf zuführen.

**Eliminación correcta de este producto.**

Este símbolo indica que este producto no debe eliminarse con el resto de residuos domésticos dentro de la UE. Con el objetivo de proteger el medioambiente y la salud pública, recicle de forma responsable para favorecer la reutilización de los recursos materiales. Para devolver su aparato usado, utilice los sistemas de devolución y recogida o póngase en contacto con el vendedor del producto. Este podrá proceder al reciclaje del producto de forma totalmente segura.

**Corretto smaltimento di questo prodotto.**

Questa marcatura indica che, nell'UE, questo prodotto non deve essere smaltito insieme agli altri rifiuti domestici. A titolo preventivo per l'ambiente e la salute, deve essere riciclato in modo responsabile per favorire il riutilizzo delle risorse materiali. Per mandare indietro l'apparecchio usato, si prega di utilizzare il sistema di reso e raccolta o di contattare il rivenditore da cui è stato acquistato il prodotto, il quale potrà procedere a riciclare il prodotto in totale sicurezza.

Pour validation de la garantie
Focal-JMlab, il est maintenant possible
d'enregistrer son produit en ligne :
www.focal.com/garantie



Please validate your Focal-JMlab
warranty, it is now possible to register
your product online:
www.focal.com/warranty



Registrieren Sie Ihr Produkt online, um Ihre Focal-JMlab-Garantie zu bestätigen:
www.focal.com/warranty

Per validare la garanzia Focal-JMlab adesso è possibile registrare il prodotto on-line su:
www.focal.com/warranty

Para validar la garantía Focal-JMlab, ahora también puede registrar su producto en línea:
www.focal.com/warranty

Para validar a garantia Focal-JMlab, agora é possível registrar um produto online:
www.focal.com/warranty

Voor garantie validatie Focal -JMlab, Het is nu mogelijk om het product online te registreren:
www.focal.com/warranty

Для подтверждения гарантии Focal-JMlab, еперь продукт можно зарегистрировать на сайте
www.focal.com/warranty

请于10天内寄回随附的产品质保书，使Focal-JMlab质保生效。您现在可以在线注册产品：
www.focal.com/warranty

Focal-JMlab의 개런티 유효화를 위해, 이제 웹사이트에서 제품의 온라인 저장 등록도 가능합니다 :
www.focal.com/warranty

Focal-JMlabの保証を有効にするには、現在、製品のオンライン登録が可能になりました:
www.focal.com/warranty

الرجاء تفعيل ضمان Focal-JMlab الخاص بك،
يمكنك الآن تسجيل منتجك عبر الإنترنت على موقع:
www.focal.com/warranty



CE



Focal-JMlab* - BP 374 - 108, rue de l'Avenir -
42353 La Talaudière cedex - France - www.focal.com
Tel. (+33) 04 77 43 57 00 - Fax (+33) 04 77 43 57 04 -
SCAA-190514/1 - CODO1626

FOCAL® *INSIDE* IS TOY 165

2-way component kit / Kit 2 voies séparées



Plug & Play
Easy to install



Performance gain
Gain de performances



Detailed sound
Son + détaillé



Max. Power
Puissance max.



Toyota®, Lexus® and Subaru® compatible
Compatible Toyota®, Lexus® et Subaru®

[Toyota : Prius, Tundra, Tacoma, Rav4, Corolla, C-HR... /
Lexus : RX, CT, IS... / Subaru : Impreza IV, WRC, Forester...]

www.focal.com/focal-inside/is-toy-165/



Check online your
vehicle compatibility

Vérifiez en ligne
la compatibilité
de votre véhicule

www.focal-inside.com

Audio systems optimized for the greatest manufacturer's vehicles
Des solutions audio conçues pour les véhicules de grandes marques

 **FOCAL**[®]
LISTEN BEYOND

FOCAL[®] INSIDE IS TOY 165



Check online your vehicle compatibility

Vérifiez en ligne la compatibilité de votre véhicule

Toyota[®], Lexus[®] and Subaru[®] compatible

Compatible Toyota[®], Lexus[®] et Subaru[®]

[Toyota : Prius, Tundra, Tacoma, Rav4, Corolla, C-HR... /

Lexus : RX, CT, IS... / Subaru : Impreza IV, WRX, Forester...]

www.focal.com/focal-inside/is-toy-165/

www.focal-inside.com

Audio systems optimized for the greatest manufacturer's vehicles
Des solutions audio conçues pour les véhicules de grandes marques

Packaging content / Contenu de l'emballage



2 x woofer



2 x tweeter



Tweeter mountings
Supports tweeter



Fixing kit and connectors
Kit de fixation et connectique

EAN

KINT165S09



3 544053 7507 12

Serial numbers / Numéros de série



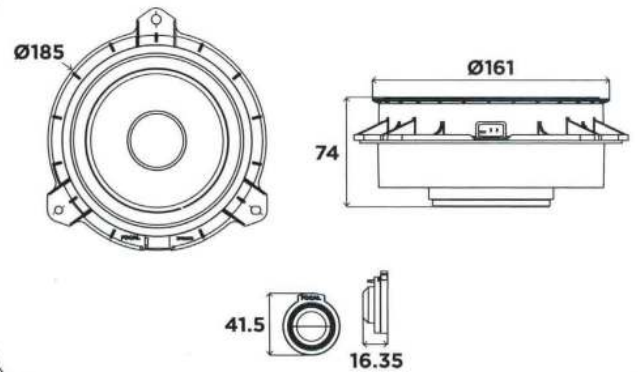
CHBYOF001429

UPCA



9

Dimensions (mm)



© Focal-JMlab - BP 374 - 108, rue de l'Avenir - 42353 La Talaudière cedex - France - 2019 - All rights reserved - Made in China. SCAA190724/2 - EMCA2066

FOCAL[®]
LISTEN BEYOND

FOCAL[®] INSIDE IS TOY 165

- F** Kit 2 voies séparées, diamètre 165 mm
Woofer : 165 mm
Profondeur : 45 mm
Membrane : Polyglass
Tweeter compact à dôme inversé en Aluminium/Magnésium
Puissance max. : 120 W
Puissance nom. : 60 W RMS
Sensibilité (2,83 V/1m) : 91,7 dB
Réponse en fréquence : 60 Hz - 20 kHz
(Accessoires de connexion et de fixation fournis)
- E** Kit de 2 vías separadas, diámetro 165 mm
Woofer: 165 mm
Profundidad: 45 mm
Membrana: Polyglass
Tweeter compacto de cúpula invertida en aluminio/magnesio
Potencia máx.: 120 W
Potencia nom.: 60 W RMS
Sensibilidad (2,83 V/1m): 91,7 dB
Respuesta en frecuencia: 60 Hz - 20 kHz
(Accesorios de conexión y fijación incluidos)
- GB** 2-way component kit, diameter 6^{1/2}" (165mm)
Woofer: 6^{1/2}" (165mm)
Depth: 1^{3/4}" (45mm)
Cone: Polyglass
Compact inverse dome Aluminium/Magnesium tweeter
Max. power: 120W
Nom. power: 60W RMS
Sensitivity (2.83 V/3 feet - 3.2 ft/1m): 91.7dB
Frequency response: 60Hz - 20kHz
(Connection and fixing accessories provided)
- P** Kit de 2 vias separadas, diâmetro de 165 mm
Woofer: 165 mm
Profundidade: 45 mm
Membrana: Polyglass
Tweeter compacto de cúpula invertida em alumínio/magnésio
Potência máx.: 120 W
Potência nom.: 60 W RMS
Sensibilidade (2,83 V/1m): 91,7 dB
Frequência de resposta: 60 Hz - 20 kHz
(Acessórios de ligação e fixação fornecidos)
- D** 2-Wege-Einbausatz, Durchmesser 165 mm
Basslautsprecher: 165 mm
Tiefe: 45 mm
Membran: Polyglass
Kompakter Aluminium-/Magnesium-Kalottenhohtöner
Maximale Leistung: 120 W
Nennleistung: 60 W RMS
Kernschalldruck/Empfindlichkeit (2,83 V/1m): 91,7 dB
Frequenzgang: 60 Hz - 20 kHz
(Verbindungs- und Befestigungszubehör im Lieferumfang enthalten)
- PL** 2-drożny zestaw odseparowany, średnica 165 mm
Woofer: 165 mm
Głębokość: 45 mm
Membrana: Polyglass
Kompaktowy głośnik wysokotonowy z odwróconą aluminiowo-magnezową kopułką
Moc maksymalna: 120 W
Moc nominalna: 60 W RMS
Czułość (2,83 V/1 m): 91,7 dB
Charakterystyka częstotliwościowa: 60 Hz - 20 kHz
(akcesoria do łączenia i mocowania w zestawie)
- I** Kit a 2 vie separate, diametro 165 mm
Woofer: 165 mm
Profondità: 45 mm
Membrana: Polyglass
Tweeter compatto a cupola rovesciata in alluminio/magnesio
Potenza max.: 120 W
Potenza nom.: 60 W RMS
Sensibilità (2,83 V/1m): 91,7 dB
Risposta in frequenza: 60 Hz - 20 kHz
(Accessori di collegamento e fissaggio inclusi)
- NL** Gescheiden 2-wegkit, diameter 165 mm
Woofer: 165 mm
Breedte: 45 mm
Membran: Polyglass
Compacte tweeter met omgekeerde koepel in aluminium/magnesium
Maximaal vermogen: 120 W
Nominaal vermogen: 60 W RMS
Gevoeligheid (2,83 V/1m): 91,7 dB
Frequentierespons: 60 Hz - 20 kHz
(Accessoires voor aansluiting en montage meegeleverd)

IS TOY 165

Product Data Sheet

The 2-way component kit IS TOY 165 is designed for drivers who want to replace their original audio system with a quality sound solution. The speaker drivers integrate the Polyglass cone for defined midrange and the Aluminium inverted dome tweeter, a Focal technology allowing perfectly rendered trebles.



Key Points

- Quick installation
- No wire to cut, no modification
- 100% compatible with your vehicle
- Sound quality superior compared to the original one
- Mounting accessories included

Check your vehicle compatibility at www.focal-inside.com



TOYOTA



LEXUS



SUBARU

[Toyota : Prius, Tundra, Tacoma, Rav4, Corolla, C-HR... /
Lexus : RX, CT, IS... / Subaru : Impreza IV, WRX, Forester...]

Type	2-way component kit
Woofer	6 ¹ / ₂ " (165mm)
Tweeter	Inverted dome
Voice coil diameter	1" (25mm)
Magnet	85x15mm
Cone	Black Polyglass
Surround	Butyl
Impedance	4Ω
Max. power	120W
Nom. power	60W RMS
Sensitivity (2.83V/1m)	91.7dB
Frequency response	60Hz-20kHz
Crossover	Woofer : integrated Tweeter : on line

FOCAL® INSIDE

Focal is a trademark of Focal-JMLab - www.focal.com - SCAA191002/1

 **FOCAL**®
LISTEN BEYOND

IS TOY 165

Technical Sheet

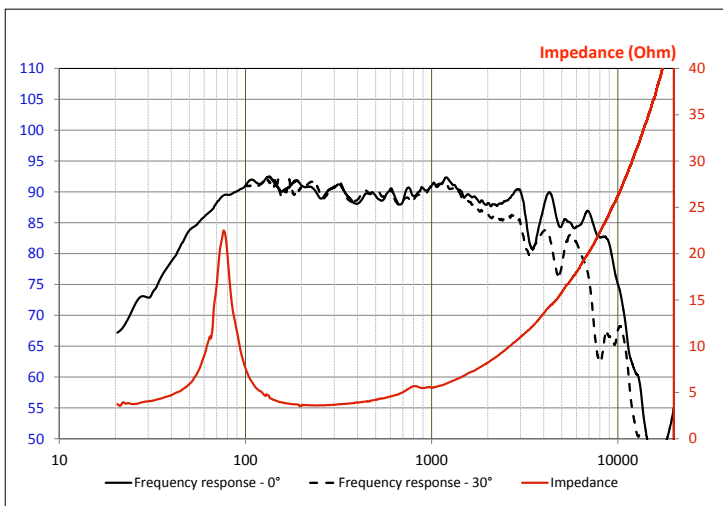
Woofer



SPECIFICATIONS

Nominal power	60 W
Maximum power	120 W
Sensitivity	91.7dB
Nom. impedance	4 Ω
Cone	Black Polyglass
Surround	Butyl
DC resistance	3.3 Ω
VC diameter	25 mm
Former	Kapton 1"
Layers	2
Wire	Copper
Magnet d x h	85x15mm 3 ³ / ₈ x ¹ / ₁₆ "
Net weight	950g 2.1lbs

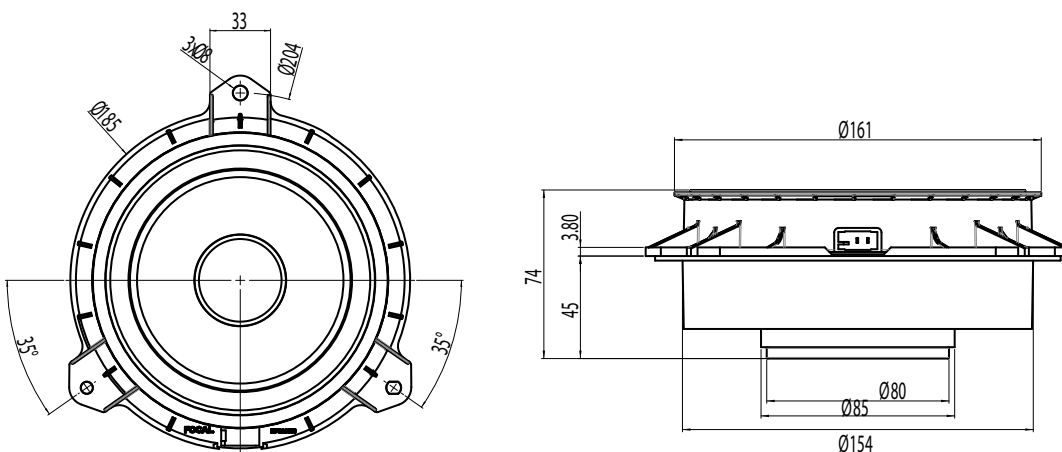
FREQUENCY RESPONSE/IMPEDANCE



PARAMETERS

Rdc	3.3 Ω
Fs	75 Hz
Mms	13.7 g
Cms	0.31 mm/N
Vas	8.2L
Qts	0,84
Qes	0,986
Qms	5,87
Bxl	4.73 N/A
Sd	136.85 cm ²
SPL	87.9dB
Xmax	3mm

MECHANICAL DRAWING



FOCAL® INSIDE

Focal® is a trademark of Focal-JMLab® - www.focal.com - SCAA190919/1

FOCAL®
LISTEN BEYOND

TWEETER TOY

Technical Sheet

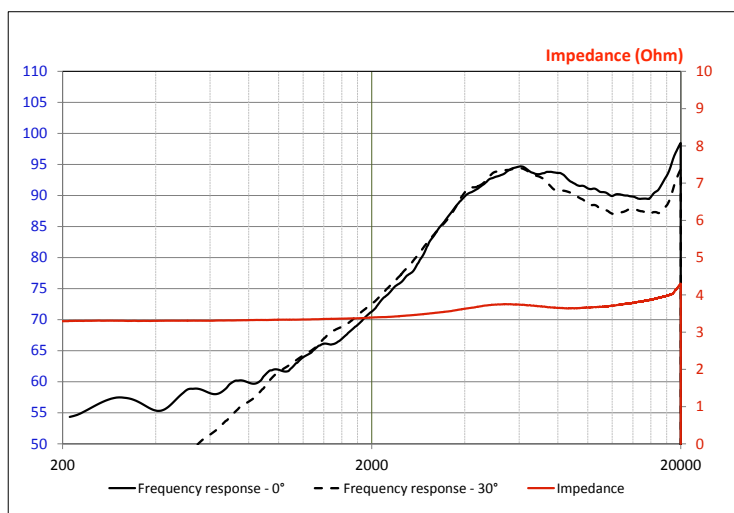
Tweeter



SPECIFICATIONS

Nominal power	15W
Maximum power	100W
Sensitivity	91dB
Nom. impedance	4 Ω
Cone	Alu/Mg
Surround	Fabric
DC resistance	3.5 Ω
Former	Kapton
Layers	2
Wire	Alu
Net weight	40g 0.08lbs

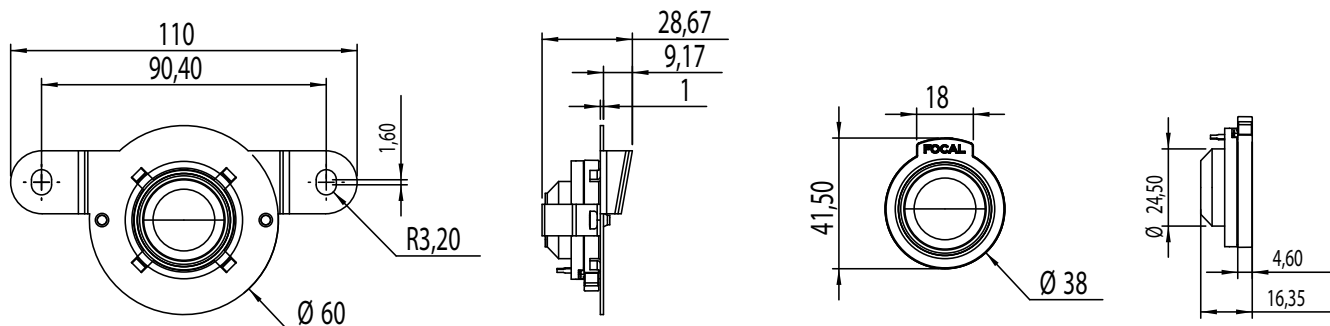
FREQUENCY RESPONSE/IMPEDANCE



PARAMETERS

Rdc	3.5 Ω
Fs	3500 Hz
SPL	87dB

MECHANICAL DRAWING



FOCAL[®] INSIDE

Focal[®] is a trademark of Focal-JMLab[®] - www.focal.com - SCAA190919/1

FOCAL[®]
LISTEN BEYOND