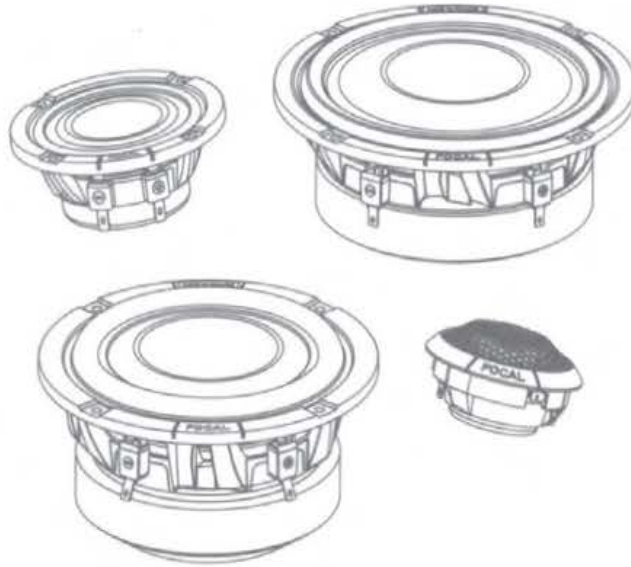


K2 POWER M

FRAK - 3 KM
6.5 KM - SUB 5 KM

Démarrage rapide / *Quick Start*



GO TO THE
USER MANUAL



[https://www.focal.com/
usermanual/k2-power-m](https://www.focal.com/usermanual/k2-power-m)

- FR Accédez à la notice d'utilisation
- DE Bedienungsanleitung lesen
- ES Acceda a las instrucciones de uso
- IT Accedi alle istruzioni per l'uso
- PT Ir para o manual do utilizador
- NL Ga naar de gebruiksaanwijzing
- PO Przejdź do instrukcji obsługi
- RU Перейти к инструкции по эксплуатации
- ZH 访问使用说明
- KO 사용설명서 보러가기
- JP 取扱説明書を見る
- AR اذهب إلى دليل الاستخدام

 **FOCAL**[®]

FRAK



A x 1



B x 2



C x 2

3 KM



A x 1



B x 1



D x 4

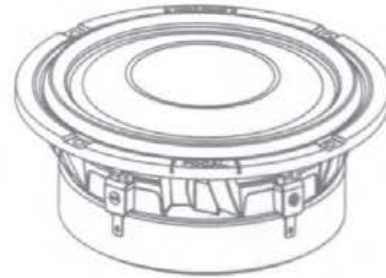


E x 4

6.5 KM



A x 1



B x 2



D x 8



E x 8

SUB 5



A x 1



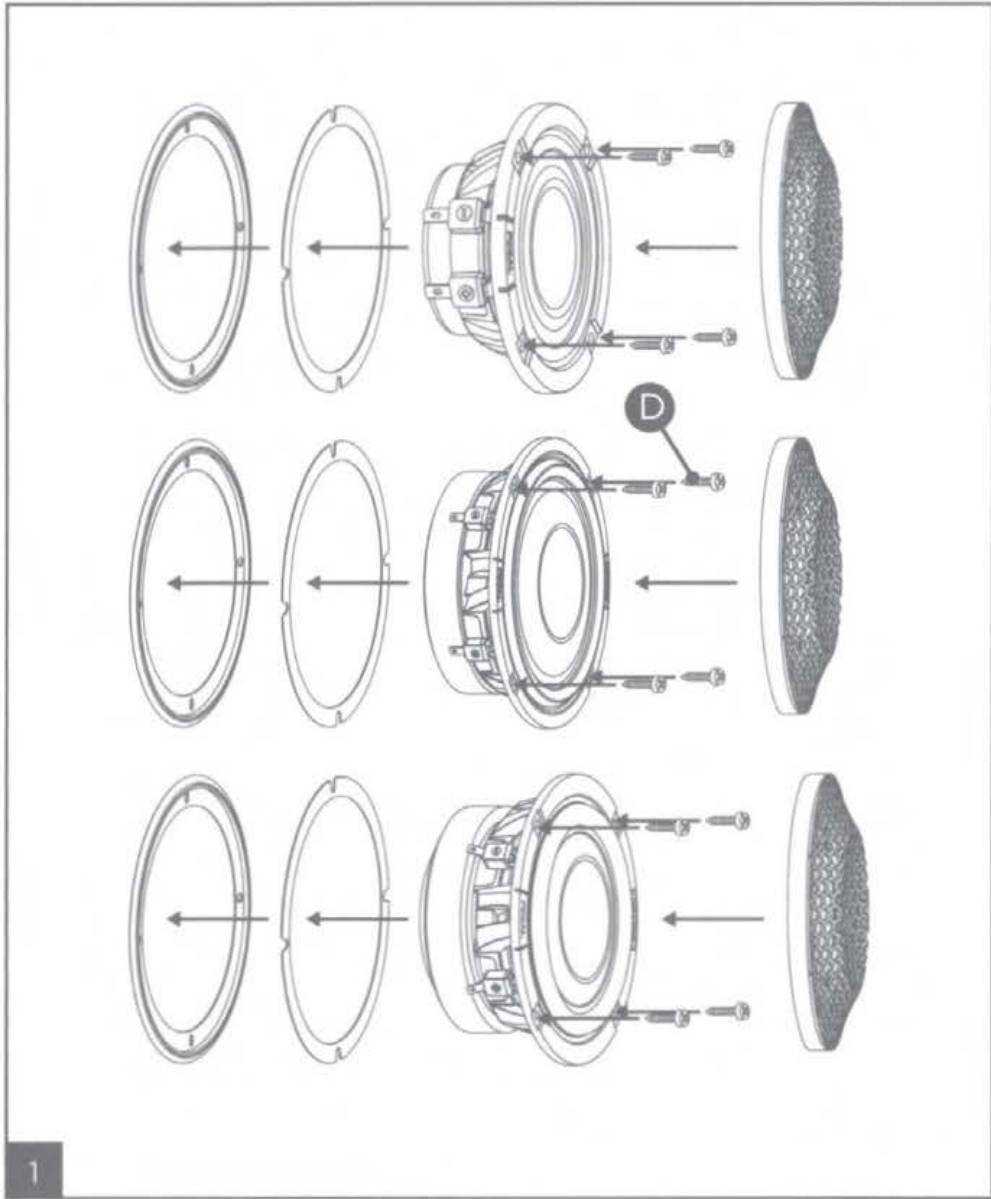
B x 1



D x 4



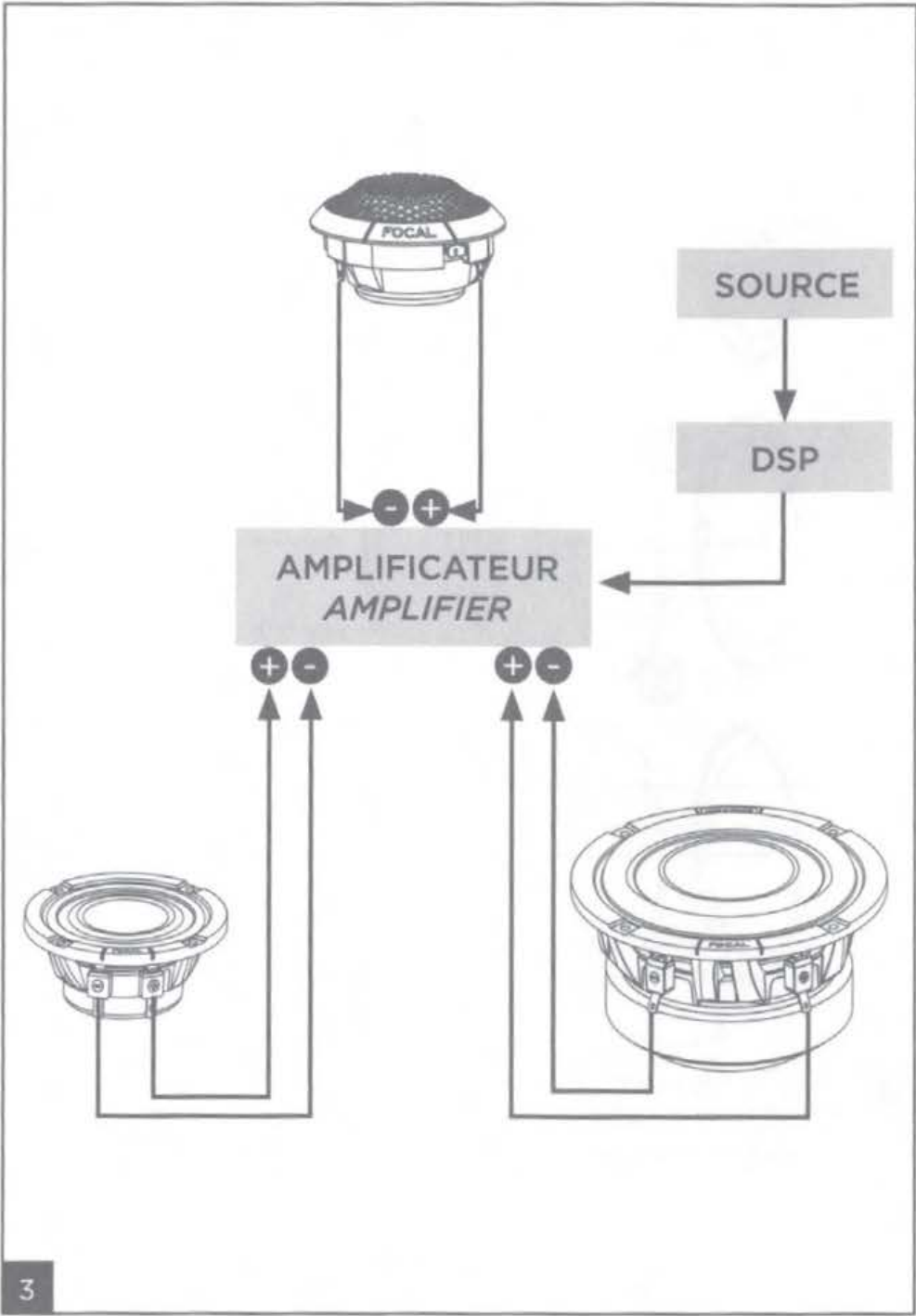
E x 4



1

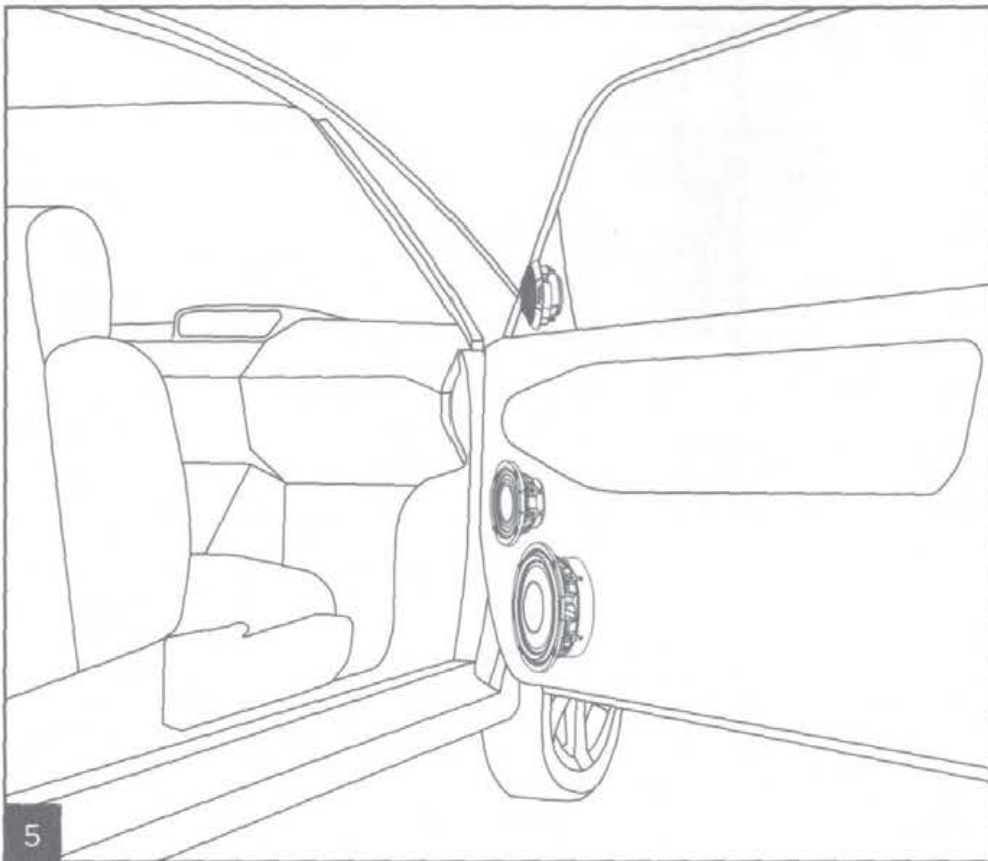
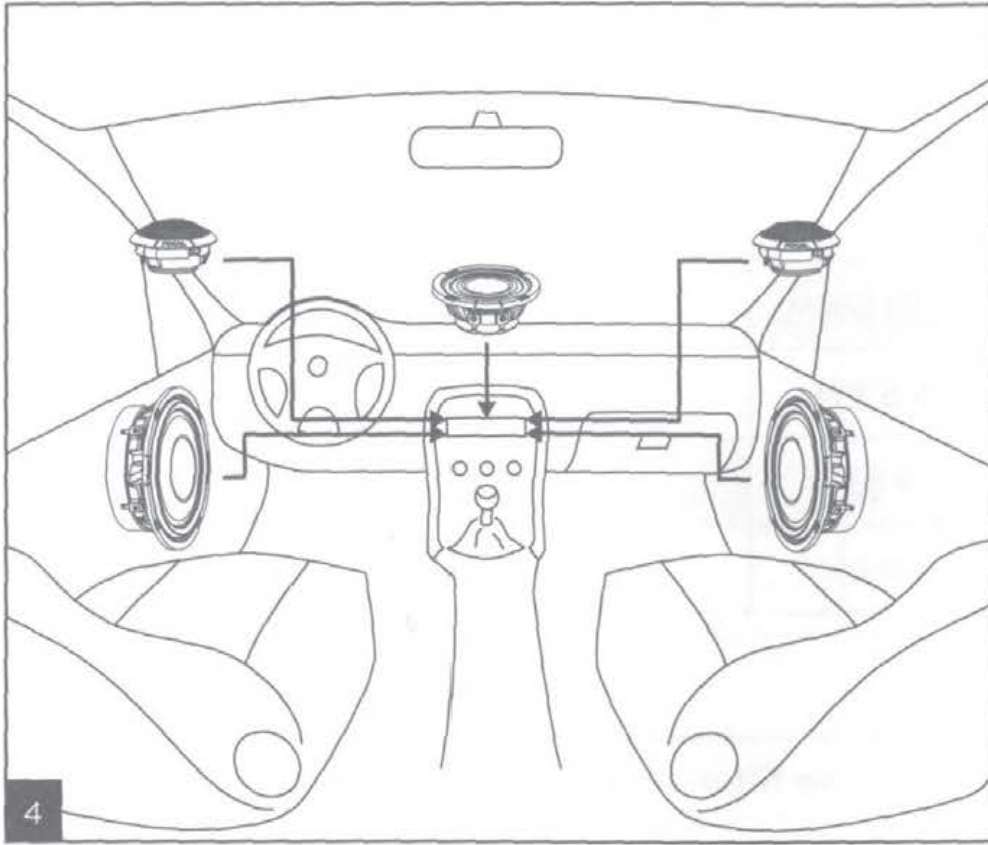


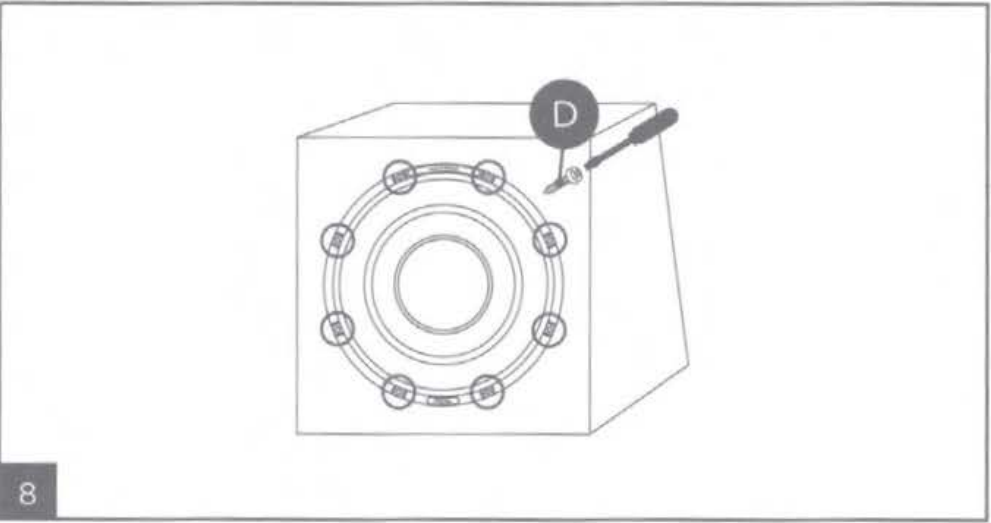
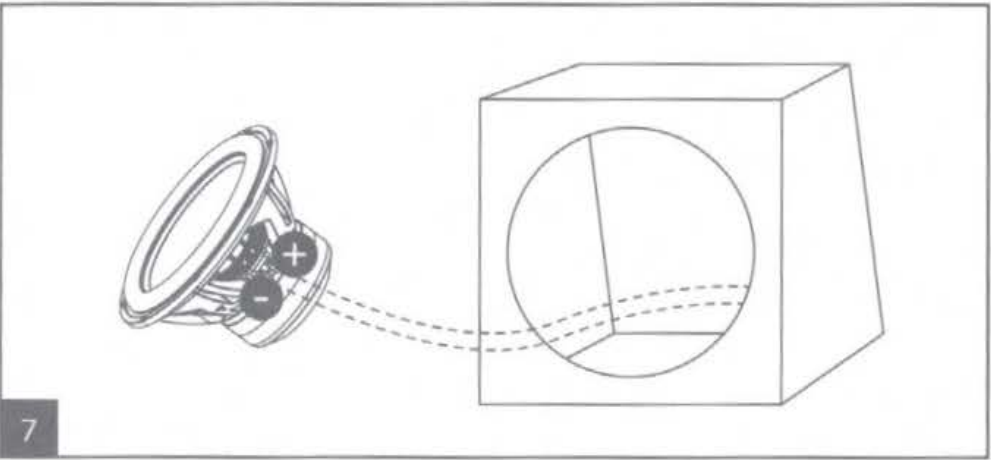
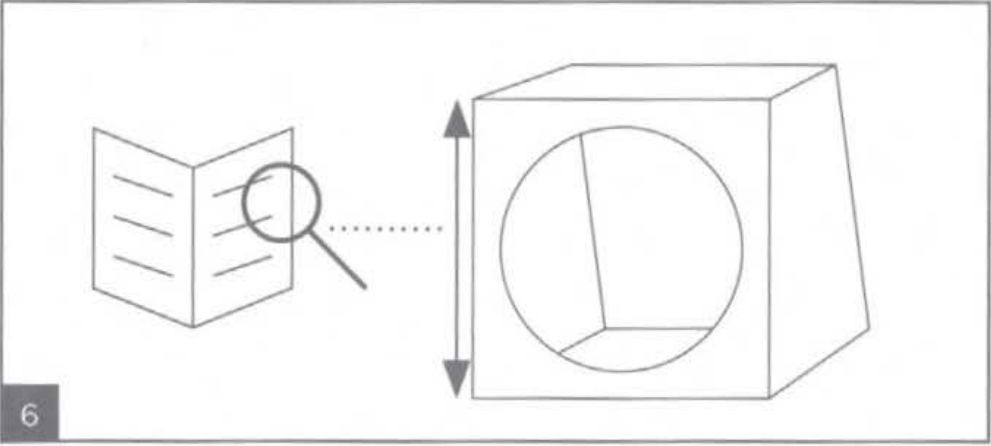
2

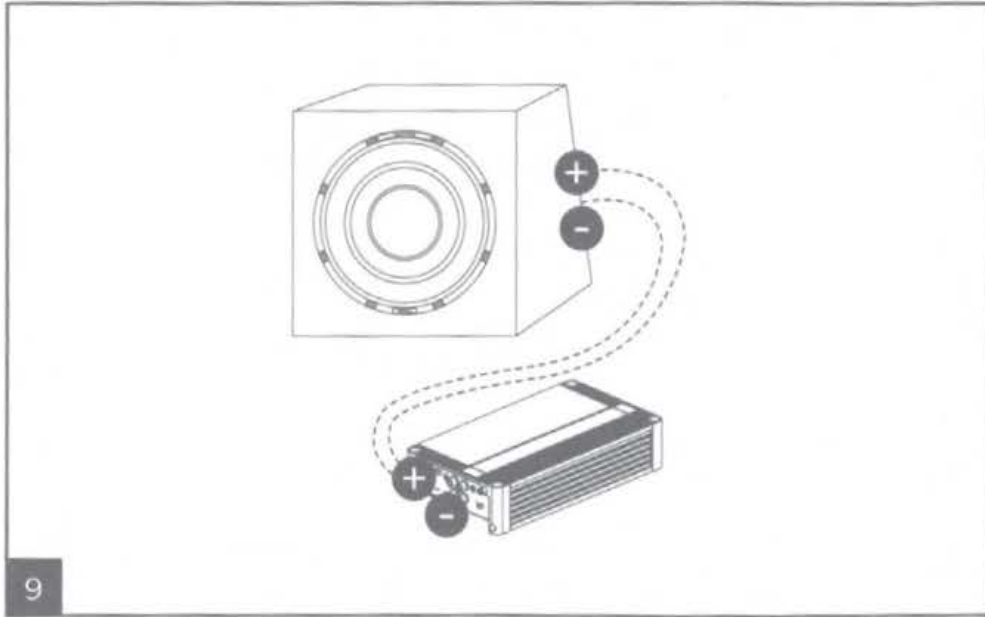


Active filter setup suggested frequency range Configuration filtre actif, réponses en fréquence suggérées		
	2-way	3-way
SUB 5 KM	30Hz/70-100Hz	30Hz/70-100Hz
6.5 KM	50Hz/2.5kHz	50Hz/400Hz
3 KM		400Hz/4kHz
FRAK	1.5-3Hz/30kHz	4kHz/30kHz

Active filter setup suggested frequency range Configuration filtre actif, réponses en fréquence suggérées		
	Center channel	Surround
SUB 5 KM		
6.5 KM		
3 KM	300Hz/13kHz	300Hz/14kHz
FRAK		600Hz/30kHz







9

Volume(L)	Fréquence/Frequency F-3 (Hz)
4	41
6	39

**REGISTER YOUR
PRODUCT ONLINE**



[www.focal.com/
warranty](http://www.focal.com/warranty)

- FR** Enregistrez votre produit en ligne
- DE** Registrieren Sie Ihr Produkt online
- ES** Registre su producto en línea
- IT** Registra il tuo prodotto online
- PT** Possível registar um produto online
- NL** Registreer uw product online
- PO** Zarejestruj swój produkt online
- RU** Зарегистрируйте свой продукт онлайн
- ZH** 您可以在线注册产品
- KO** 당신의 제품을 온라인에서 등록하세요
- JP** 製品のオンライン登録をお願いします
- AR** يمكنك الآن تسجيل منتجك عبر الإنترنت



UK Aamp
CA 25B
GU35 9QE

Focal-JMlab* - BP 374 - 108, rue de l'Avenir -
42353 La Talaudière cedex - France - www.focal.com
Tel. (+33) 04 77 43 57 00 - Fax (+33) 04 77 43 57 04 -
SCTL - 19/08/2022 - v1 - CODO1713

K2 POWER M

6.5 KM

MADE IN
FRANCE

Product sheet

Power and compactness are the watchwords of the new K2 Power M line. Our engineers have packed the best Focal technologies, around our iconic K2 cone made with aramid fibre, renowned for its exceptional dynamics and high performance. Available “à la carte”, the K2 Power M products enable you to create the active audio system of your choice for a bespoke installation.



Key points

- Exclusive 'M'-profile K2 cone
- Compact speaker driver
- Exceptional power handling
- Active product
- Aluminium grille (optional)

Type	Woofers
Woofers	6 1/2" (165mm)
Depth	2 1/8" (54mm)
Cone	K2 Sandwich, M-shaped
Maximum power	240W
Nominal power	120W RMS
Sensitivity (2.83V/1m)	92.5dB
Frequency response	50Hz- 5kHz
Impedance	4 Ω
Magnet	Ferrite
Voice-coil diameter	2 3/8" (60mm)
Suspension	TMD®

K2 POWER M

6.5 KM

Technical Sheet

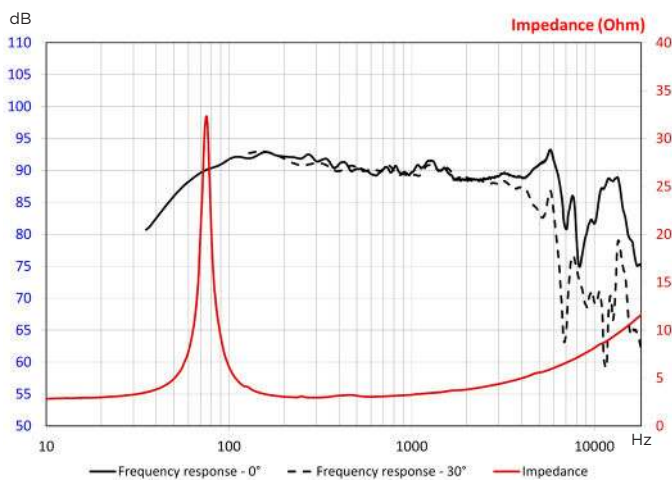
Woofer



SPECIFICATIONS

Nominal power	120W
Maximum power	240W
Sensitivity	93dB
Nom. impedance	4Ω
Frequency response	50Hz-5KHz
Cone	Kevlar Sandwich, M
Surround	TMD®
VC diameter	60mm 2 3/8"
Net weight	1950g

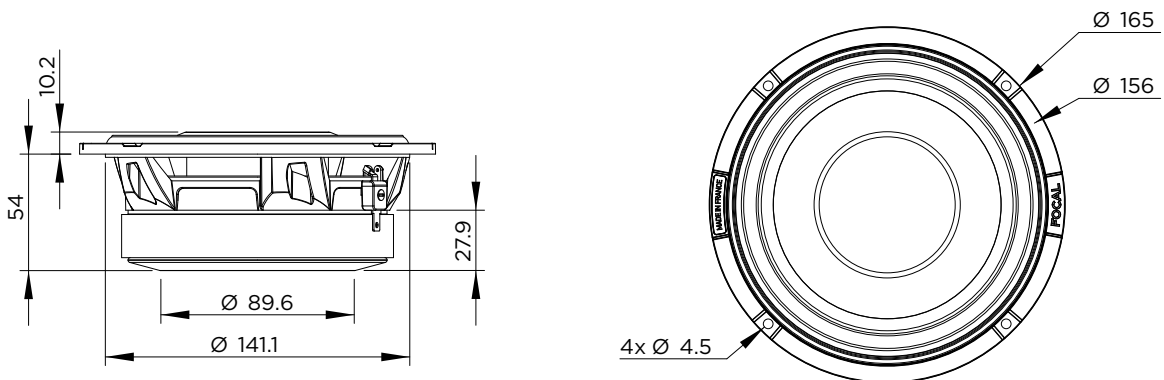
FREQUENCY RESPONSE/IMPEDANCE



PARAMETERS

Rdc	3Ω
Fs	76Hz
Mms	14g
Cms	0.3mm/N
Vas	7l
Qts	0.77
Qes	0.82
Qms	10.7
Bxl	5N/A
Sd	128cm ²

MECHANICAL DRAWING



Woofers

Reference / référence	6.5 KM
Cone / membrane	K2 Sandwich, M-shaped
Woofers	6 1/2" 165mm
Max. power / puissance max.	240W
Nom. power / puissance nom.	120W RMS
Sensitivity / sensibilité (2.83V/1m)	93dB
Impedance / impédance	4 Ω
Frequency response / réponse en fréquence	50Hz- 5000Hz
Woofers	6 1/2" 165mm
Depth / profondeur	2 1/8" 54mm
Magnet / moteur	Ferrite
Suspension	TMD®



Aamp
25B
GU35 9QE

FOAKKMW6KM00000



© Focal-JMLab - BP 374 - 108, rue de l'Avenir
42353 La Talaudière cedex - France
Made in France - 2022 - All rights reserved.
SCCG - 20/07/2022 - v1 - EMCA2280

