

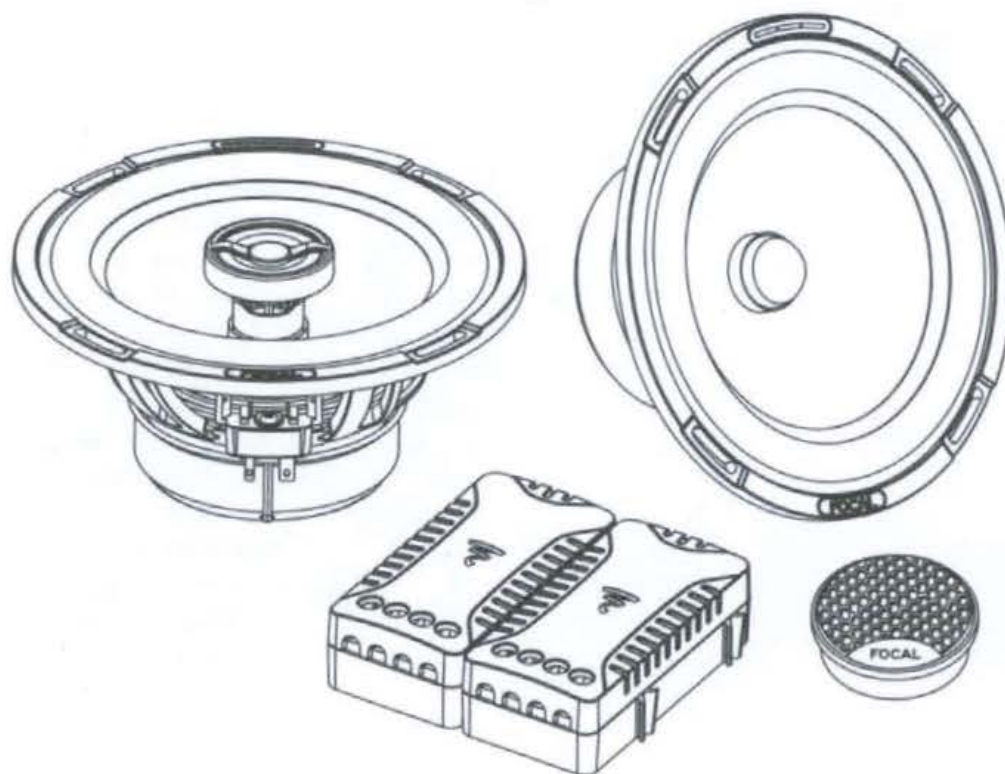
SLATEFIBER

PC 165 SF | PS 165 SF

FR

EN

Manuel d'utilisation / User Manual / Gebrauchsanleitung /
Manuale d'uso / Manual de uso / Manual de utilização /
Handleiding / Instrukcja obsługi / Руководство по
эксплуатации / 使用手册 / 사용 설명서 /
取扱説明書 / دليل المستخدم



 **FOCAL®**

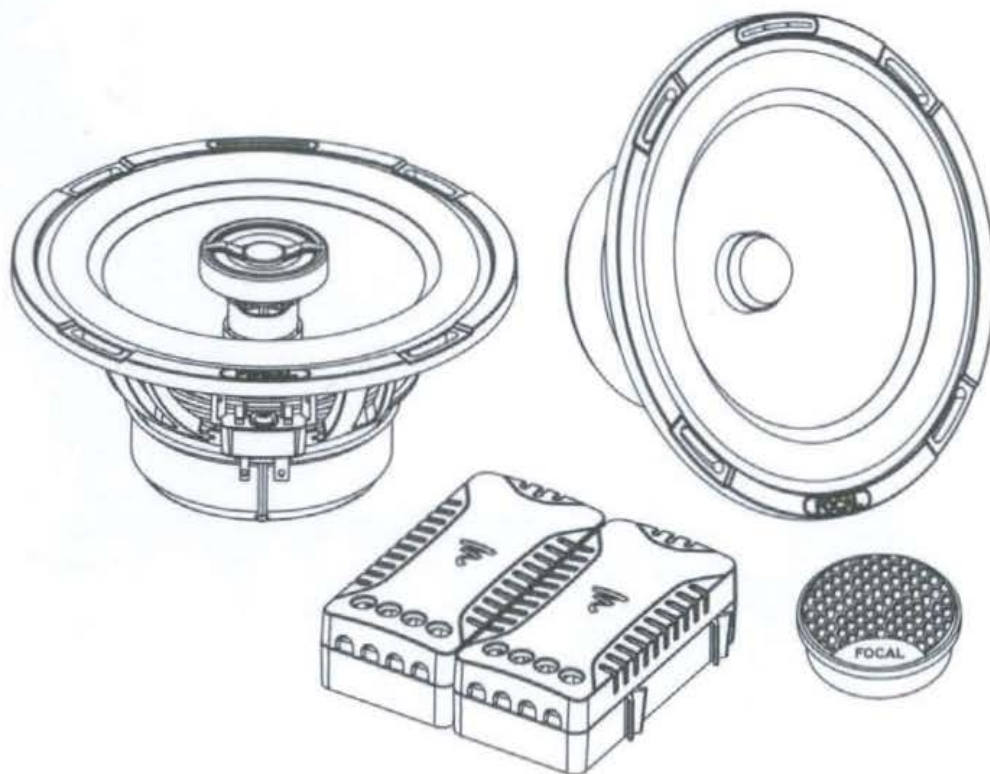
SLATEFIBER

PC 165 SF | PS 165 SF

Manuel d'utilisation / User Manual / Gebrauchsanleitung /
Manuale d'uso / Manual de uso / Manual de utilização /
Handleiding / Instrukcja obsługi / Руководство по
эксплуатации / 使用手册 / 사용 설명서 /
取扱説明書 / دليل المستخدم

FR



EN



 **FOCAL**®



READ FIRST! IMPORTANT SAFETY INSTRUCTIONS!

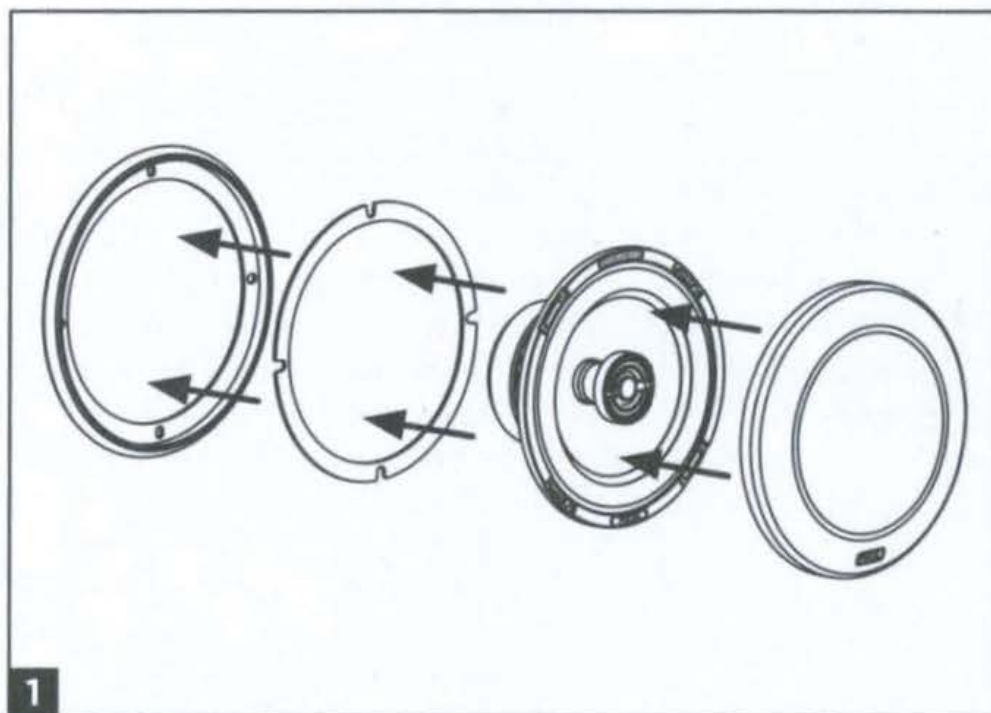
	<p>The exclamation mark represented in an equilateral triangle is intended to alert users to the existence of important instructions in the user manual relating to the use and maintenance of the device.</p>	
<p>1. Read these instructions. 2. Keep these instructions. 3. Heed all the warnings. 4. Follow all the instructions. 5. To avoid damaging your hearing, do not listen to loudspeakers at high volumes for long periods of time. Listening to loudspeakers at high volumes can cause damage to the user's ears and may lead to hearing problems (temporary or permanent deafness, buzzing in the ears, tinnitus, hyperacusis). Exposure to excessive volumes (over 85 dB) for more than one hour can cause irreparable damage to your hearing.</p>	<p>6. If a subwoofer is installed in your vehicle, it is important to secure it firmly. We recommend that you attach the enclosure to the floor or chassis of the vehicle for safety. If the subwoofer is not properly secured, it could become a projectile in the event of an accident. This point is even more important if the subwoofer is installed in a hatchback, a station wagon, a utility vehicle or a van.</p>  <p>(CEI 60417-6044)</p>	<p>7. If cables or harnesses are provided, use them the proper way (like mentioned in this user manual) without replacing or modifying them. 8. If a fuse is included in the kit or harness, use only same rating one in case of replacement.</p>

SLATEFIBER

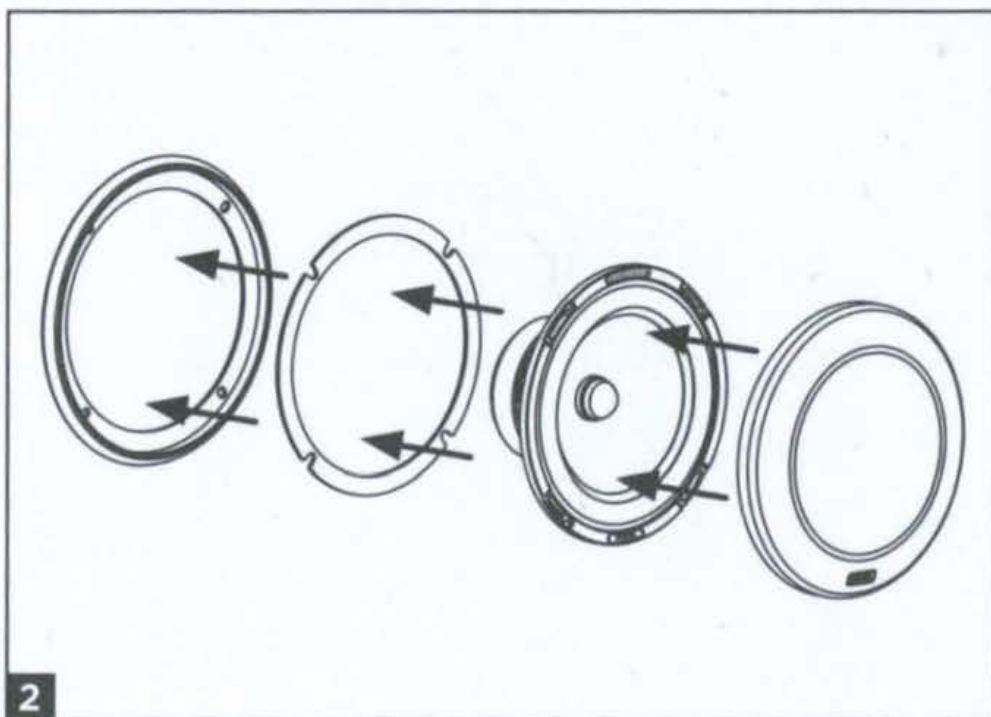
Manuel d'utilisation / User manual

16

PC 165 SF



PS 165 SF

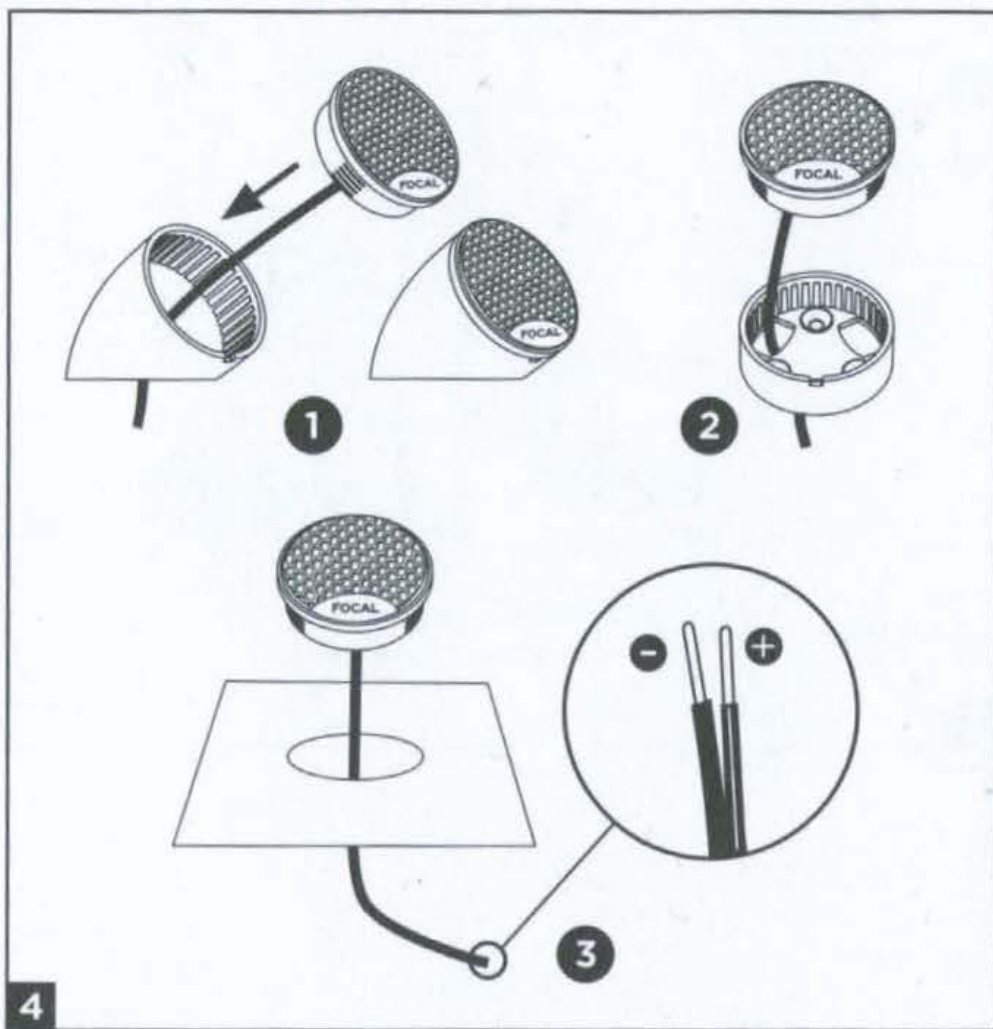
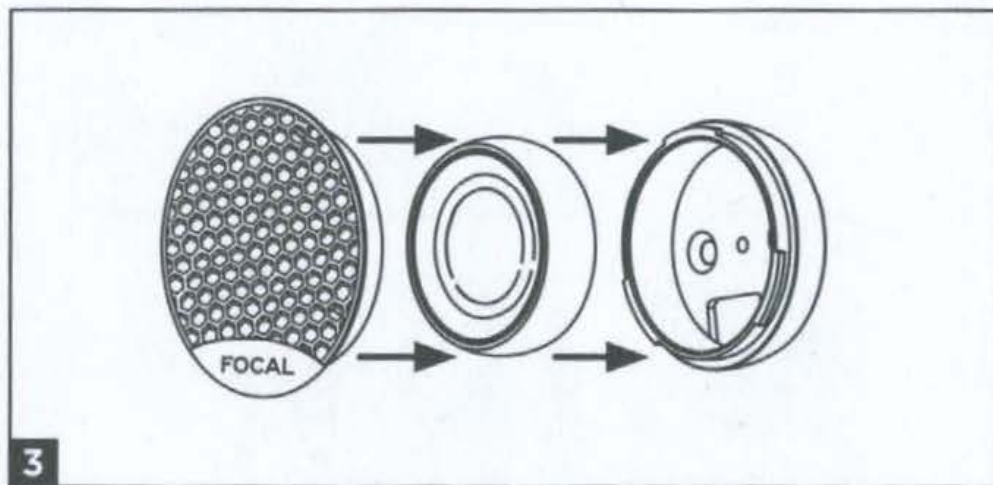


SLATEFIBER

Manuel d'utilisation / User manual

17

PS 165 SF

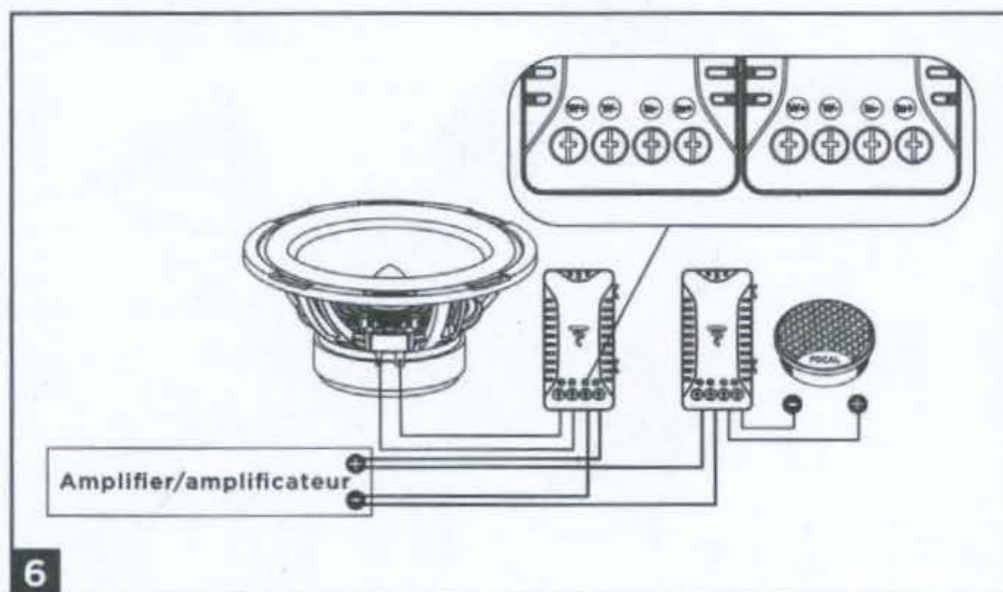
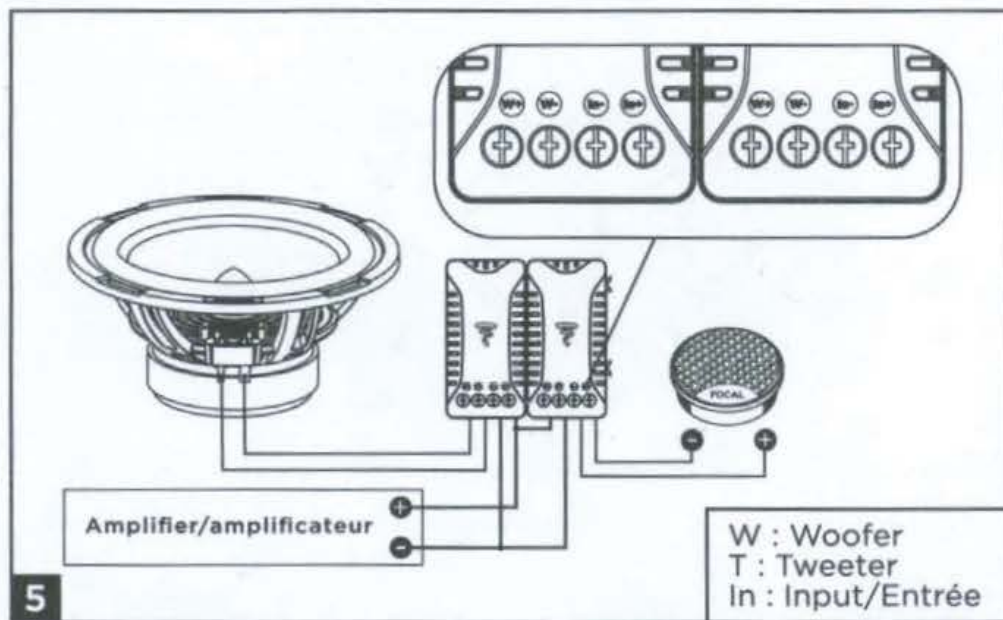


SLATEFIBER

Manuel d'utilisation / User manual

18

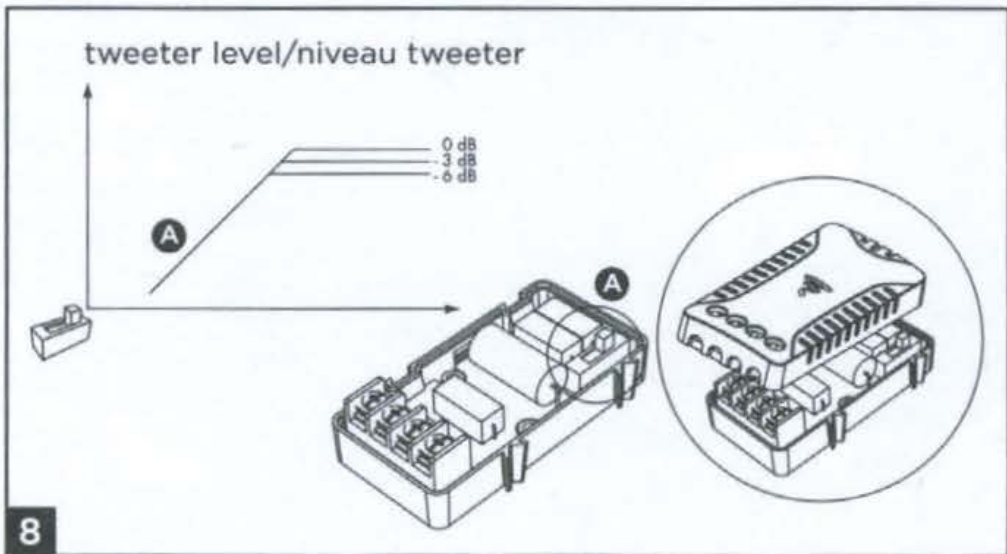
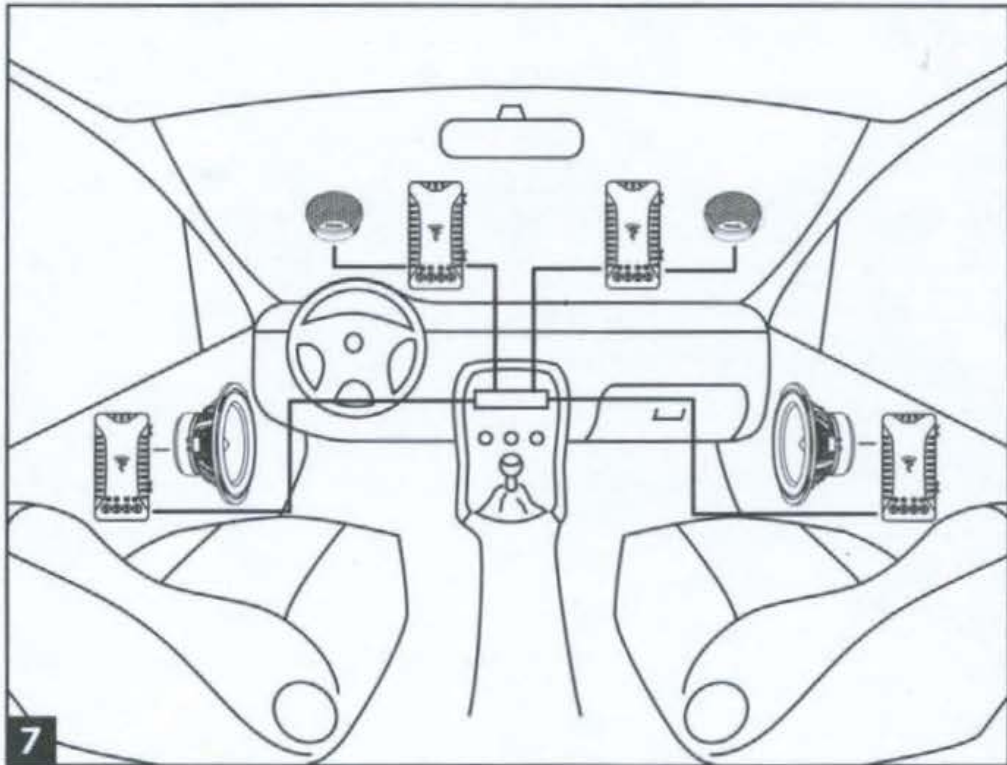
PS 165 SF



SLATEFIBER

Manuel d'utilisation / User manual

19



SLATEFIBER

Spécifications / Specifications

20

	PC 165 SF	PS 165 SF
Type	Kit coaxial 2 voies	Kit 2 voies séparées
Woofer	165 mm	165 mm
Profondeur	70 mm	70 mm
Membrane	Slatefiber	Slatefiber
Puissance max.	160 W	160 W
Puissance nom.	80 W RMS	80 W RMS
Sensibilité (2,83 V/1 m)	91 dB	91 dB
Réponse en fréquence	60 Hz - 21 kHz	60 Hz - 21 kHz
Impédance	4 Ω	4 Ω
Diamètre bobine	25 mm	25 mm
Moteur	Ferrite	Ferrite
Suspension	Butyle	Butyle
	Tweeter Aluminium/Magnesium à dôme inversé	
Filtre	Intégré	Filtres woofer/tweeter indépendants

	PC 165 SF	PS 165 SF
Type	2-way coaxial kit	2-way component kit
Woofer	165mm	165mm
Depth	70mm	70mm
Cone	Slatefiber	Slatefiber
Maximum power	160W	160W
Nominal power	80W RMS	80W RMS
Sensitivity (2.83V/1m)	91dB	91dB
Frequency response	60Hz - 21kHz	60Hz - 21kHz
Impedance	4 Ω	4 Ω
Voice-coil diameter	25mm	25mm
Magnet	Ferrite	Ferrite
Suspension	Butyl	Butyl
	Aluminium/Magnesium inverted dome tweeter	
Crossover	Integrated	Independent woofer/tweeter crossovers

SLATEFIBER

User manual

23

Please validate your Focal-JMlab warranty, it is now possible to register your product online:
www.focal.com/warranty



EN

Thank you for choosing Focal kits PC 165 SF, PS 165 SF, and for sharing our passion for sound and for music. Designed using acoustic technologies, these speakers integrate Focal's perfectionist believes, developing products with high power handling, and unrivalled sound quality. To obtain the best results from this product, we recommend that you follow carefully all the information contained in this user's manual. If not correctly followed, any fault observed may not be covered by the warranty.

Important recommendations

First of all, check the space available for fitting the speaker drivers (refer to the plans on the packaging) then proceed with the cutting required. If mounted in the factory location, check that there is sufficient space between the speaker driver and the protective grille.

- Clear the speaker drivers of any metal shavings and dust particles.
- Clean carefully before mounting the speaker drivers.

Conditions of warranty

All Focal loudspeakers are covered by warranty drawn up by the official Focal distributor in your country. Your distributor can provide all details concerning the conditions of warranty. Warranty cover extends at least to that granted by the legal warranty in force in the country where the original purchase invoice was issued.

SLATEFIBER

24



Élimination correcte de ce produit.

Ce marquage indique que ce produit ne doit pas être éliminé avec les autres déchets ménagers au sein de l'UE. Par mesure de prévention pour l'environnement et pour la santé humaine, veuillez le recycler de manière responsable, pour favoriser la réutilisation des ressources matérielles. Pour retourner votre appareil usé, veuillez utiliser les systèmes de retour et de collecte ou contactez le détaillant chez lequel le produit a été acheté. Celui-ci pourra procéder au recyclage du produit en toute sécurité.



Correct elimination of this product.

This marking indicates that within the EU this product should not be disposed of with other household wastes. To prevent any risk to the environment or human health, please recycle them responsibly to encourage the reuse of material resources. To return your used device, please use the return and collection systems available, or contact the retailer where you purchased the product. They can recycle this product safely.



Ordnungsgemäße Entsorgung des Produkts.

Diese Kennzeichnung weist darauf hin, dass dieses Produkt innerhalb der EU nicht mit anderen Haushaltsabfällen entsorgt werden darf. Als Präventivmaßnahme für die Umwelt und die menschliche Gesundheit muss auf eine verantwortungsbewusste Wiederverwertung zur Förderung der Wiederverwendung von materiellen Ressourcen geachtet werden. Für die Rückgabe von Gebrauchtgeräten verwenden Sie bitte zur Verfügung stehende Rückgabe- und Recyclingsysteme oder wenden Sie sich an den Händler, bei dem Sie das Produkt erworben haben. Letzterer kann das Gerät sicher dem Wertstoffkreislauf zuführen.



Eliminación correcta de este producto.

Este símbolo indica que este producto no debe eliminarse con el resto de residuos domésticos dentro de la UE. Con el objetivo de proteger el medioambiente y la salud pública, recicle de forma responsable para favorecer la reutilización de los recursos materiales. Para devolver su aparato usado, utilice los sistemas de devolución y recogida o póngase en contacto con el vendedor del producto. Este podrá proceder al reciclaje del producto de forma totalmente segura.

Pour validation de la garantie
Focal-JMlab, il est maintenant possible
d'enregistrer son produit en ligne :
www.focal.com/garantie



Please validate your Focal-JMlab
warranty, it is now possible to register
your product online:
www.focal.com/warranty



Registrieren Sie Ihr Produkt online, um Ihre Focal-JMlab-Garantie
zu bestätigen:
www.focal.com/warranty

Per validare la garanzia Focal-JMlab adesso è possibile registrare
il prodotto on-line su:
www.focal.com/warranty

Para validar la garantía Focal-JMlab, ahora también puede registrar
su producto en línea:
www.focal.com/warranty

Para validar a garantia Focal-JMlab, agora é possível registrar um
produto online:
www.focal.com/warranty

Voor garantie validatie Focal -JMlab, Het is nu mogelijk om het
product online te registreren:
www.focal.com/warranty

**Для подтверждения гарантии Focal-JMlab, теперь продукт можно
зарегистрировать на сайте
www.focal.com/warranty**

请于10天内寄回随附的产品质保书，使Focal-JMlab质保生效。您现在可
以在线注册产品：
www.focal.com/warranty

Focal-JMlab의 개런티 유효화를 위해, 이제 웹사이트에서 제품의 온라인
저장 등록도 가능합니다 :
www.focal.com/warranty

Focal-JMlabの保証を有効にするには、現在、製品のオンライン登録が
可能になりました:
www.focal.com/warranty

الرجاء تفعيل ضمان Focal-JMlab الخاص بك،
يمكنك الآن تسجيل منتجك عبر الإنترنت على موقع:
www.focal.com/warranty



Focal-JMlab* - BP 374 - 108, rue de l'Avenir
42353 La Talaudière cedex - France - www.focal.com
Tel. (+33) 04 77 43 57 00 - Fax (+33) 04 77 43 57 04
SCCG - 10/05/2021 - V1 - COD01703



Focal-JMlab* - BP 374 - 108, rue de l'Avenir
42353 La Talaudière cedex - France - www.focal.com
Tel. (+33) 04 77 43 57 00 - Fax (+33) 04 77 43 57 04
SCCG - 10/05/2021 - V1 - CODO1703

SLATEFIBER PC 165 SF

MADE IN
FRANCE

Fiche Produit

The 6^{1/2}" (16.5cm) 2-way coaxial Slatefiber kit can be summed up in one word: efficiency. This product incorporates the essence of Focal's latest technologies to deliver performance, reliability and French manufacturing. With standard dimensions and a smart design, it can be installed in most vehicles on the market without the need for an additional dedicated amplifier. However, you can still link these speaker drivers to an amplifier if you want to get the very best performance out of them.



Key points

- Made in France in the Focal workshops
- High power handling for intensive use
- Little amplification requirements due to high sensitivity
- Tough design and high quality materials
- Flexible installation and usage options

Type	2-way coaxial kit
Woofers	165mm
Depth	70mm
Cone	Slatefiber
Maximum power	160W
Nominal power	80W RMS
Sensitivity (2.83V/1m)	91dB
Frequency response	60Hz - 21kHz
Impedance	4 Ω
Voice-coil diameter	25mm
Magnet	Ferrite
Suspension	Butyl
Tweeter	Aluminium/Magnesium inverted dome tweeter
Crossover	Integrated

 **FOCAL**[®]

SLATEFIBER

PC 165 SF

Technical Sheet

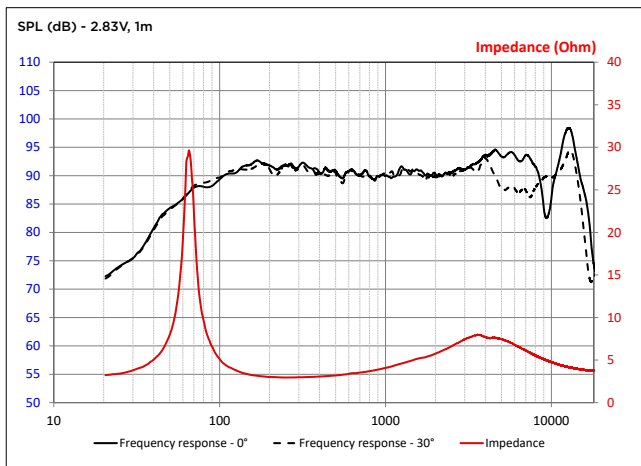
6.5" Woofer



SPECIFICATIONS

Nominal power	80W
Maximum power	160W
Sensitivity	91dB
Nom. impedance	4 Ω
Frequency response	60Hz-21kHz
Cone	Slatefiber
Surround	Butyl
VC diameter	25mm 1"
Net weight	1050g

FREQUENCY RESPONSE/IMPEDANCE



PARAMETERS

Rdc	2.8 Ω
Fs	67Hz
Mms	11.85g
Cms	0.42mm/N
Vas	11.78 l
Qts	0.583
Qes	0.621
Qms	9.42
Bxl	4.8N/A
Sd	132cm

MECHANICAL DRAWING

