

THEVA

N°1 - N°2 - N°3

Démarrage rapide / Quick Start



FIRST STEPS WITH THEVA



- FR** Accédez à la notice d'utilisation
- DE** Bedienungsanleitung lesen
- ES** Acceda a las instrucciones de uso
- IT** Accedi alle istruzioni per l'uso
- PT** Ir para o manual do utilizador
- NL** Ga naar de gebruiksaanwijzing
- PO** Przejdź do instrukcji obsługi
- RU** Перейти к инструкции по эксплуатации
- ZH** 访问使用说明
- KO** 사용설명서 보러가기
- JP** 取扱説明書を見る
- AR** اذهب إلى دليل الاستخدام

GO TO THE USER MANUAL



[https://www.focal.com/
usermanual/theva](https://www.focal.com/usermanual/theva)

 **FOCAL**®



A

x 4



B

x 8



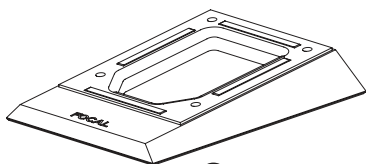
C

x 4



D

x 4



E

x 1



F

x 1



G

x 1



H

x 2

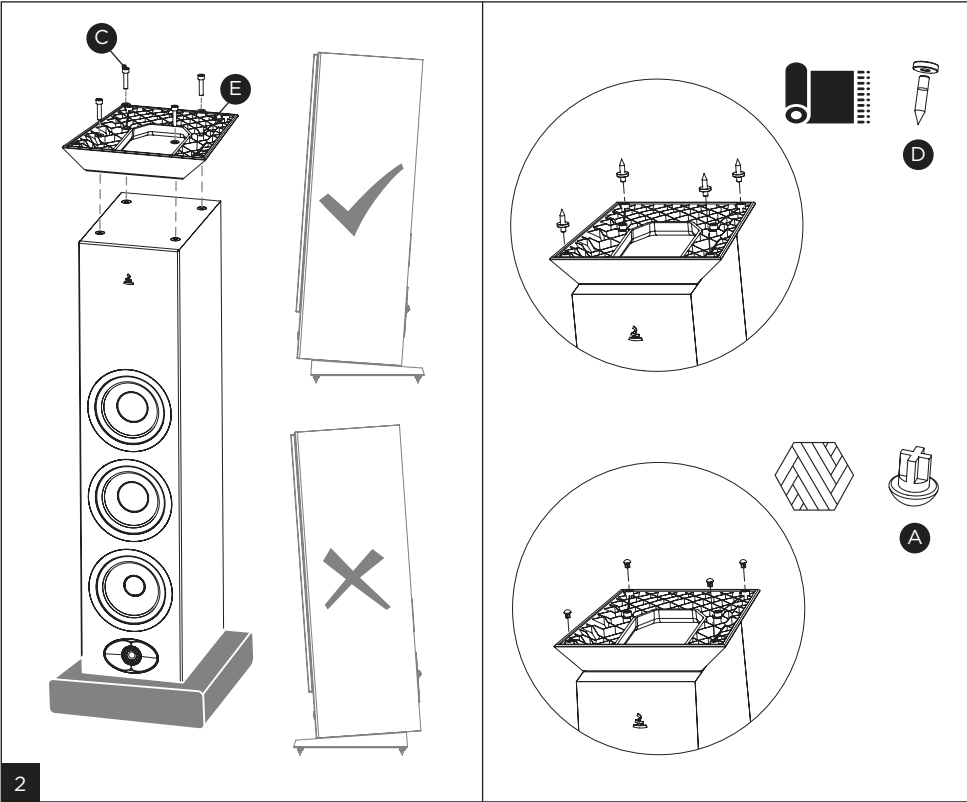
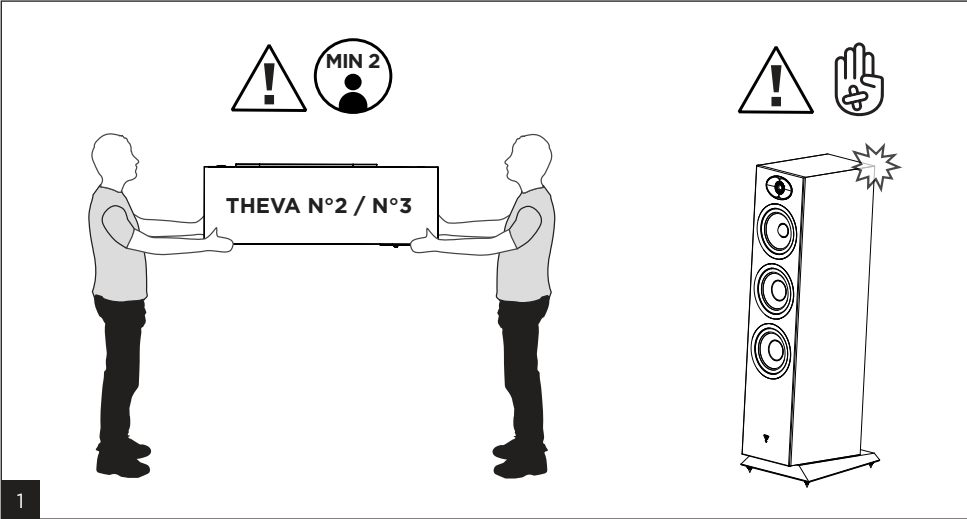


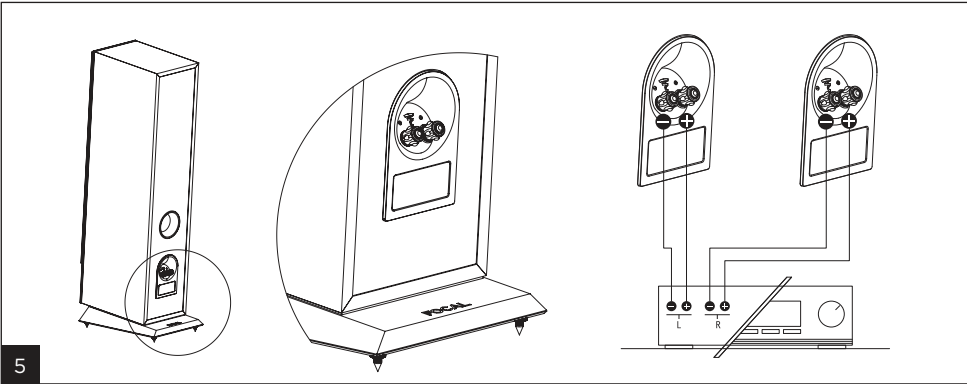
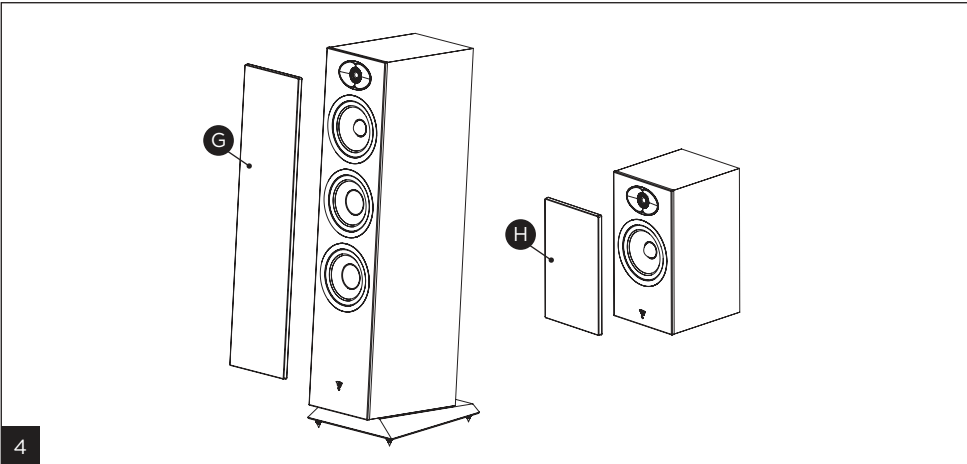
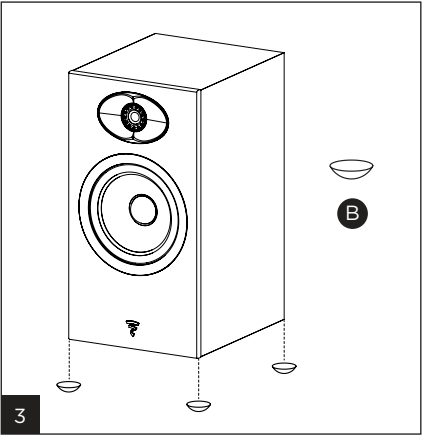
I

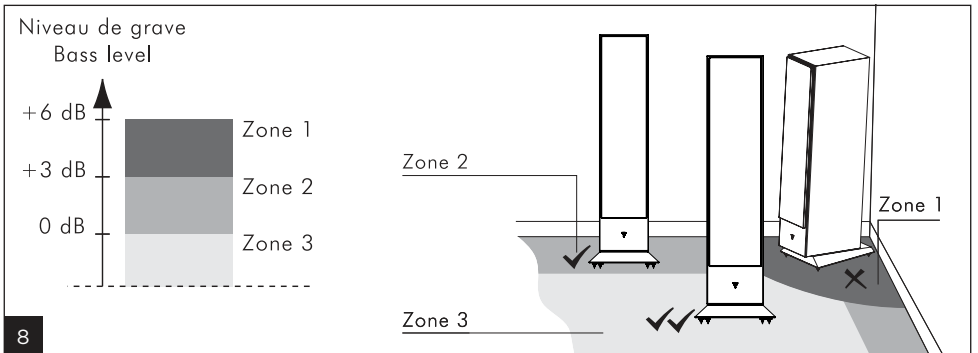
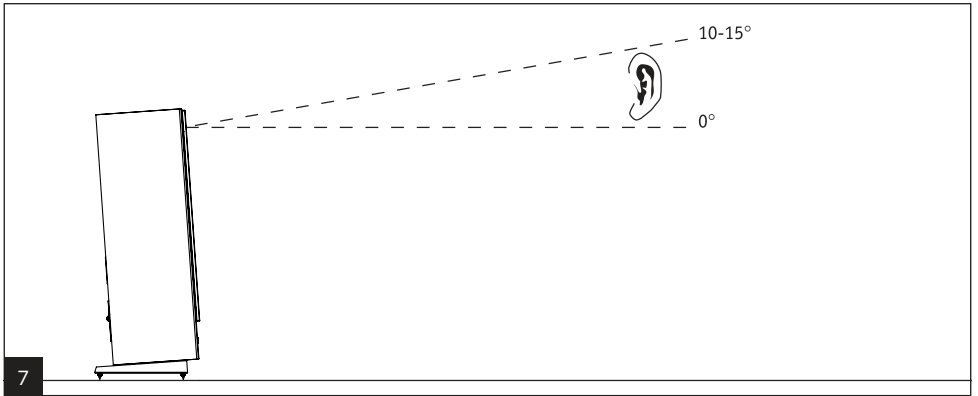
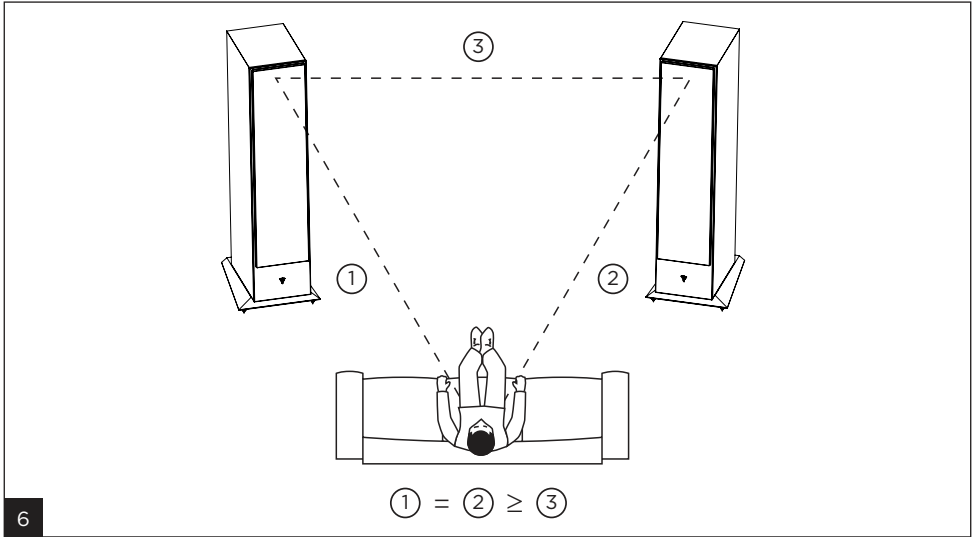
x 1

THEVA N°1 B + H + I

THEVA N°2 / THEVA N°3 A + C + D + E + F + G + I









The exclamation mark represented in an equilateral triangle is intended to alert users to the existence of important instructions in the user manual relating to the use and maintenance of the device.

1. Read these instructions.
2. Keep these instructions.
3. Take the warnings into consideration
4. Follow all the instructions.
5. Do not use this device around water.
6. Only clean with a dry cloth.
7. Keep the loudspeakers away from sources of heat, such as radiators, stoves, heat register or any other devices which give off heat (including amplifiers).
8. Only use fixing devices, stands, tripods, supports or tables recommended by the manufacturer or those supplied with the product.
- If using a trolley or cart, pay particular attention when moving the equipment to avoid any risk of damage or injury.



9. All maintenance must be carried out by a qualified professional. Maintenance is necessary if any damage has been caused to the device, damage due to liquid spilt on the device or objects inserted into the device, exposure to rain or humidity, a malfunction or physical damage.
10. Do not use accessories not recommended by the manufacturer to prevent any risk of damage or injury.
11. Never insert an object into the vents on the device. It may come into contact with high-voltage components or cause a short circuit which may lead to fire or electric shock. Never get liquid on the device.
12. Never try to repair this device yourself; opening the device may expose you to high-voltages and other risks. For any maintenance or repairs, contact a qualified professional.

13. When it's necessary to replace components, make sure the technician uses the components specified by the manufacturer or ones which have exactly the same characteristics as the original. Components which aren't compliant may cause a fire, an electric shock or other accidents.
14. After any repairs or an intervention on the device, ask the technician to test the equipment in order to check that the product works correctly and is safe.
15. The device must not be mounted to a wall or ceiling unless intended by the manufacturer.
16. In order to avoid damaging your hearing, do not listen to speakers at high volumes for extended periods of time. Listening to speakers at high volumes can cause damage to the user's ears and may lead to hearing problems (temporary or permanent deafness, buzzing in the ears, tinnitus, hyperacusis). Exposure to excessive volumes (over 85dB) for more than one hour can cause irreparable damage to your hearing.



(CEI 60417-6044)

**REGISTER YOUR
PRODUCT ONLINE**



[www.focal.com/
warranty](http://www.focal.com/warranty)

- FR** Enregistrez votre produit en ligne
- DE** Registrieren Sie Ihr Produkt online
- ES** Registre su producto en línea
- IT** Registra il tuo prodotto online
- PT** Possível registar um produto online
- NL** Registreer uw product online
- PO** Zarejestruj swój produkt online
- RU** Зарегистрируйте свой продукт онлайн
- ZH** 您可以在线注册产品
- KO** 당신의 제품을 온라인에서 등록하세요
- JP** 製品のオンライン登録をお願いします
- AR** يمكنك الآن تسجيل منتجك عبر الإنترنت



THEVA™

N°1 / N°2 / N°3

Manuel d'utilisation / User Manual / Gebrauchsanleitung / Manuale d'uso / Manual de uso /
Manual de utilização / Handleiding / Руководство по эксплуатации /
使用手册 / 사용 설명서 /取扱説明書 / دليل المستخدم



FR

EN

DE

IT

ES

PT

NL

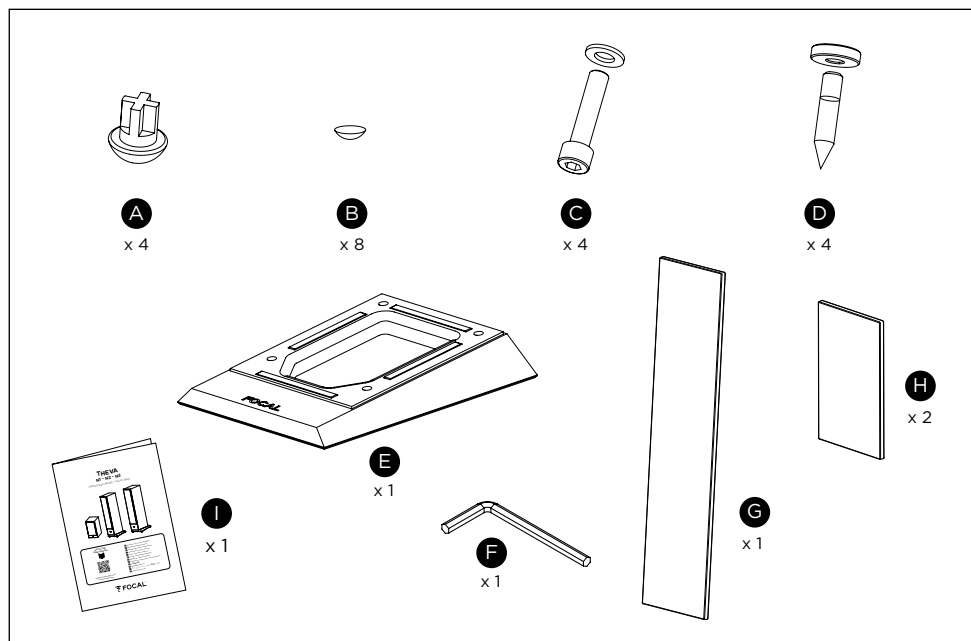
RU

ZH

KO

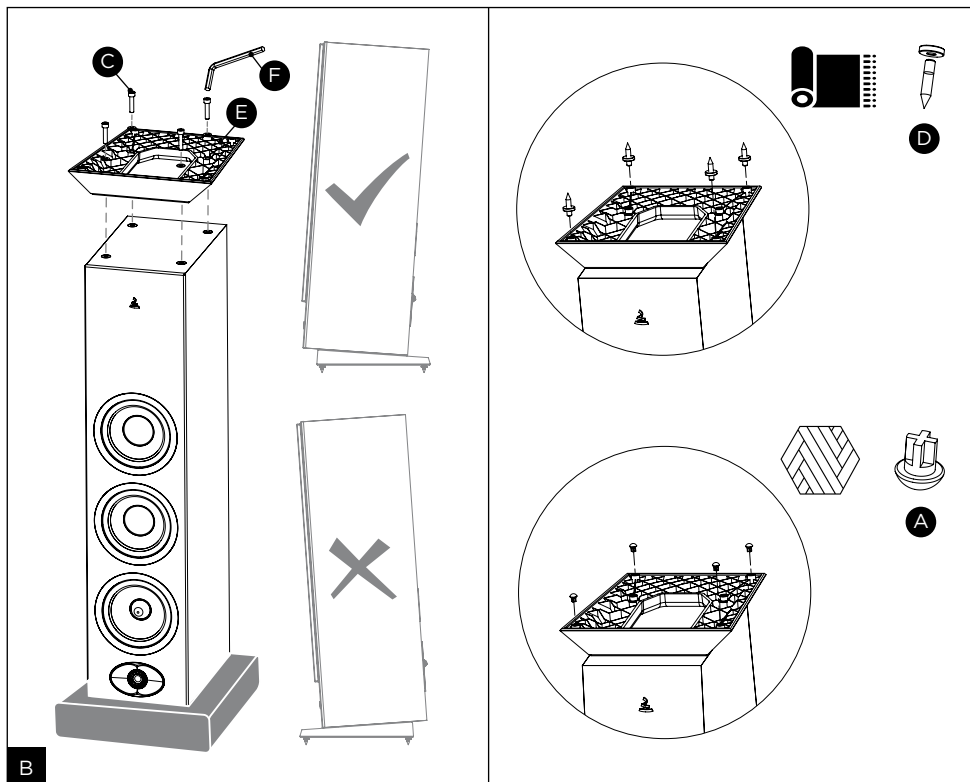
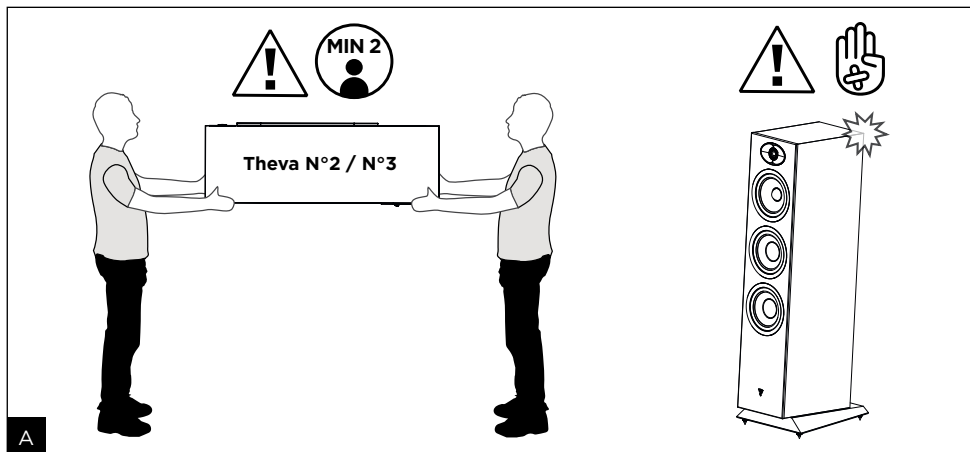
JP

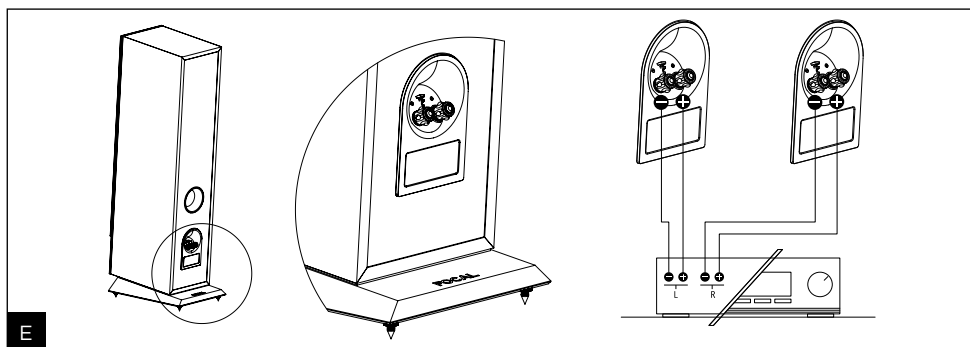
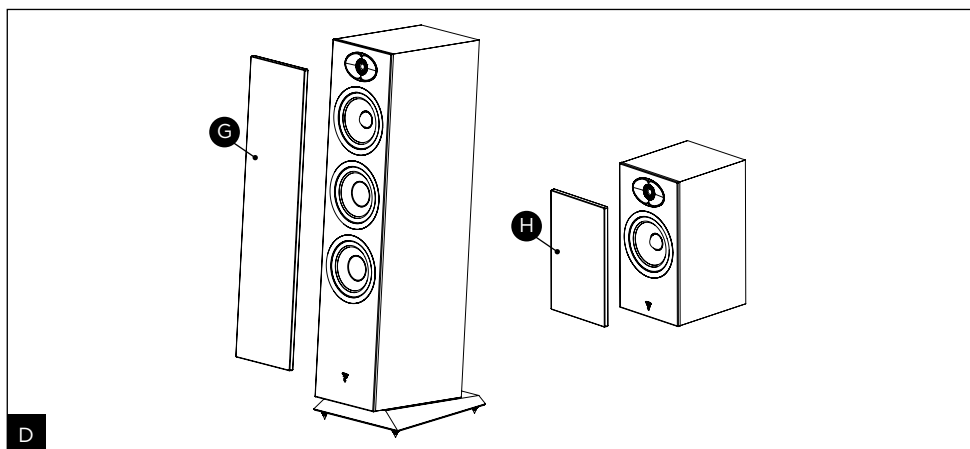
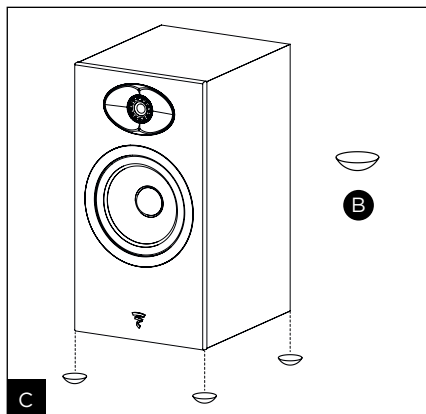
AR

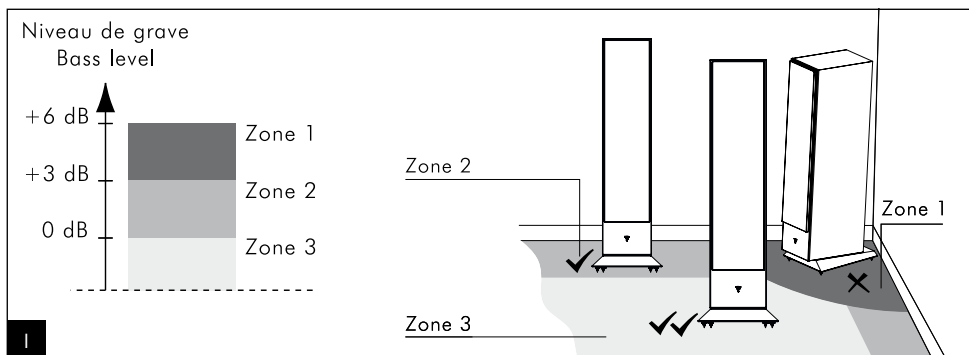
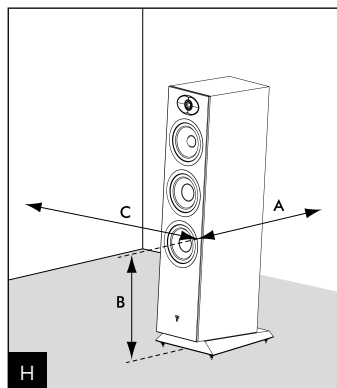
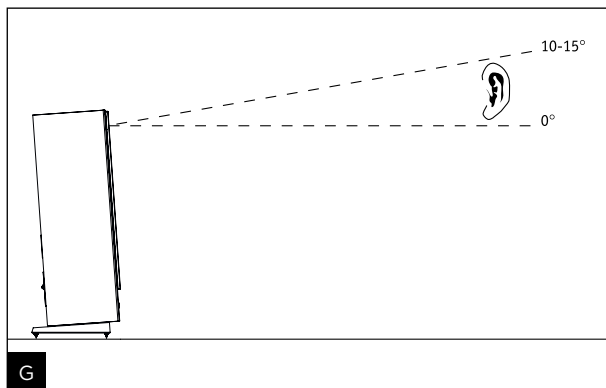
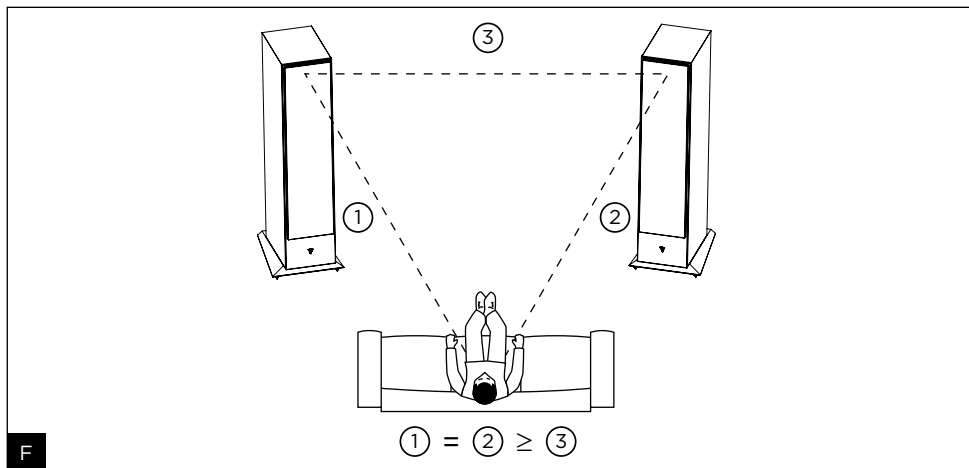


THEVA N°1 **B + H + I**

THEVA N°2 / THEVA N°3 **A + C + D + E + F + G + I**











	THEVA N°1	THEVA N°2	THEVA N°3
Type	Enceinte bibliothèque 2 voies bass-reflex	Enceinte colonne 3 voies bass-reflex	Enceinte colonne 3 voies bass-reflex
Haut-parleurs	Médium/Grave Slatefiber 16,5 cm Tweeter TNF à dôme inversé Al/Mg 25 mm	2 x Grave Slatefiber 13 cm Médium Slatefiber 13 cm Tweeter TNF à dôme inversé Al/Mg 25 mm	2 x Grave Slatefiber 16,5 cm Médium Slatefiber 16,5 cm Tweeter TNF à dôme inversé Al/Mg 25 mm
Sensibilité	89 dB	90 dB	91 dB
Bande passante	58 Hz - 28 kHz	53 - 28 kHz	48 Hz - 28 kHz
Coupure basse	49 Hz	44 Hz	39 Hz
Impédance nominale	8 Ω	8 Ω	8 Ω
Impédance minimale	4,6 Ω	2,9 Ω	2,9 Ω
Puissance ampli recommandée	25 - 100 W	40 - 200 W	40 - 250 W
Fréquence de filtrage	3 000 Hz	280 Hz / 2 900 Hz	270 Hz / 2 700 Hz
Dimensions (H x L x P)	39,2 x 21,2 x 26 cm	93,1 x 19,1 x 35,2 cm	98,9 x 21,2 x 38,8 cm
Poids net (avec porte-tissu)	7 kg	17 kg	20 kg
Dimensions carton (H x L x P)	50 x 59 x 39 cm	48 x 105 x 32 cm	48 x 110 x 34 cm
Poids net (avec emballage)	17 kg (2 pièces)	21 kg	24,5 kg

	THEVA N°1	THEVA N°2	THEVA N°3
Type	Bass-reflex 2-way bookshelf loudspeaker	Bass-reflex 3-way floorstanding loudspeaker	Bass-reflex 3-way floorstanding loudspeaker
Speaker drivers	6 ¹ / ₂ " (16.5cm) Slatefiber Midrange/Bass 1" (25mm) Al/Mg inverted dome TNF tweeter	2 x 5" (13cm) Slatefiber bass 5" (13cm) Slatefiber midrange 1" (25mm) Al/Mg inverted dome TNF tweeter	2 x 6 ¹ / ₂ " (16.5cm) Slatefiber bass 6 ¹ / ₂ " (16.5cm) Slatefiber midrange 1" (25mm) Al/Mg inverted dome TNF tweeter
Sensitivity	89dB	90dB	91dB
Bandwidth	58Hz - 28kHz	53 - 28kHz	48Hz - 28kHz
Low-frequency cut-off	49Hz	44Hz	39Hz
Nominal impedance	8 Ω	8 Ω	8 Ω
Minimal impedance	4.6 Ω	2.9 Ω	2.9 Ω
Recommended amp power	25 - 100W	40 - 200W	40 - 250W
Crossover frequency	3,000Hz	280Hz / 2,900Hz	270Hz / 2,700Hz
Dimensions (HxWxD)	15 ³ / ₈ "x8 ³ / ₈ "x10 ¹ / ₄ " (39.2x21.2x26cm)	36 ⁵ / ₈ "x7 ¹ / ₂ "x13 ⁷ / ₈ " (93.1x19.1x35.2cm)	39" ³ / ₈ "x15 ¹ / ₄ " (98.9x21.2x38.8cm)
Net weight (with grille)	15.43lbs (7kg)	37.48lbs (17kg)	44.09lbs (20kg)
Box dimensions (HxWxD)	19 ³ / ₄ "x23 ¹ / ₄ "x15 ³ / ₈ " (50x59x39cm)	18 ⁷ / ₈ "x41 ³ / ₈ "x12 ⁵ / ₈ " (48x105x32cm)	18 ⁷ / ₈ "x43 ¹ / ₄ "x13 ³ / ₈ " (48x110x34cm)
Net weight (with packaging)	17kg (37.5lbs, 2 pieces)	46.30lbs (21kg)	54.01lbs (24.5kg)

READ FIRST!

IMPORTANT SAFETY INSTRUCTIONS!

	<div style="border: 1px solid black; padding: 5px; text-align: center;"> CAUTION RISK OF ELECTRIC SHOCK DO NOT OPEN </div>	
<p>The bolt of lightning in an equilateral triangle warns the user that the device has high voltage that could result in a risk of electric shock.</p>	<p>WARNING: To prevent any risk of electric shock, do not remove the cover (or the back) from the device. There are no user-serviceable parts in this device. For maintenance or repairs, contact a qualified professional.</p>	<p>Warning symbol. This symbol is designed to warn the user of the presence of important instructions mentioned in the user manual and relating to the handling, operation and maintenance of the device.</p>
<ol style="list-style-type: none"> 1. Read these instructions. 2. Keep these instructions. 3. Heed all warnings. 4. Follow all instructions. 5. Do not use this apparatus near water. 6. Clean only with dry cloth. 7. Do not block any ventilation openings. Install in accordance with the manufacturer's instructions. 8. Do not install near any heat sources such as radiators, heat registers, stoves, or other apparatus (including amplifiers) that produce heat. 9. Only use attachments/accessories specified by the manufacturer. 10. Use only with the cart, stand, tripod, bracket, or table specified by the manufacturer, or sold with the apparatus. When a cart is used, use caution when moving the cart/apparatus combination to avoid injury from tip-over. 	<ol style="list-style-type: none"> 11. Refer all servicing to qualified service personnel. Servicing is required when the apparatus has been damaged in any way, such as power-supply cord or plug is damaged, liquid has been spilled or objects have fallen into the apparatus, the apparatus has been exposed to rain or moisture, does not operate normally, or has been dropped. 12. When using the device, the ambient temperature should not exceed 95°F (35 degrees Celsius). 13. Do not use this device in tropical climates. 14. Do not place naked flame sources, such as lit candles, near the device. 15. The appliance should only be mounted on a wall or ceiling if the manufacturer allows for this. 16. This product has sharp corners. Handle it with care. 17. Do not attempt to repair this device yourself. Opening the device may be dangerous. Contact a qualified professional for all work on the device. 18. When replacement components are needed, use only the components specified by the manufacturer or components with identical technical features to those of the original product. Using non-compliant components could cause fires, electric shocks or other risks. 19. After any maintenance or repair work on the device, test it to check that it is working safely. 20. Turn the source to minimum before connecting the products and turning up the volume. Once the products are in place, gradually increase the volume to a reasonable and comfortable level. 	<ol style="list-style-type: none"> 21. To avoid damaging your hearing, do not listen to loudspeakers at high volumes for long periods of time. Listening to loudspeakers at an excessive volume can cause damage to the user's ears and may lead to hearing problems (temporary or permanent deafness, buzzing in the ears, tinnitus, hyperacusis). Exposing your ears to a volume higher than 85dB SPL-LAeq for several hours can irreversibly damage your hearing.  <p style="text-align: center;">(CEI 60417-6044)</p> <ol style="list-style-type: none"> 22. After removing the product from its packaging, keep the packaging out of the reach of children. It could present a suffocation risk. 23. Some users who are not self-sufficient enough to use the product on their own without danger. In particular, children under 14 or people with some types of disabilities must be supervised and/or accompanied when using the device.

Please validate your Focal-JMLab warranty,
it is now possible to register your product online: www.focal.com/warranty



Thank you for purchasing a Focal product. Welcome to our High-Fidelity world. Innovation, tradition, excellence and pleasure are our values; our one and only aim is to bring you a sound that is rich, pure and true. To get the most out of your product, we recommend that you read the instructions in this booklet, then store it in a safe place to refer to in the future.

Handling (fig. A)



Theva N°2/N°3 loudspeakers weigh almost 20kg. We strongly advise having 2 people lift them during unpacking and installation.

Theva loudspeakers have sharp corners. Take care not to injure yourself when handling your loudspeakers.

Fixing the base (N°2, N°3) (fig. B)

Align the base opposite the fixing holes, position the 4 screws supplied and tighten them using the Allen-key provided. Make sure the base is the right way up (upper part at the front of the loudspeaker).

Then simply attach the rubber feet or spikes depending on the type of floor your loudspeaker will stand on. For hard floors, we recommend using the rubber feet.

If installing your loudspeaker on carpet, using the spikes will provide greater stability.

Fixing the silicone feet (N°1) (fig. C)

Silicone feet are included with the Theva N°1 library loudspeakers. If positioning the loudspeakers on a shelf or furniture unit, make sure you stick on the silicone feet before installation.

If you wish to install your loudspeakers on the Theva feet (optional), please refer to the assembly instructions supplied with the feet.

Grilles (fig. D)

Theva loudspeakers are supplied with grilles to protect the speaker drivers. They are easy to fit or remove thanks to their magnetic attachment system.

We advise removing them when you are listening to music to get the best performance from your loudspeakers.

Connections (fig. E)

Theva connectors provide reliable, multi-purpose contacts for stripped cables (up to 4mm diameter), fork terminals or banana connectors. It is imperative to respect the connector polarity of both the loudspeaker and the amplifier. The connector marked "+" must be connected to the positive output on the amplifier and the connector marked "-" must be connected to the negative terminal. Stereo image and bass perception would be seriously compromised if these conditions are not respected. Choose good quality cables with a cross-section appropriate to their length: your retailer will be able to advise you.

Positioning (fig. F, G, I)

These loudspeakers have been designed to deliver the most faithful reproduction of all kinds of music or home cinema programmes. Nonetheless, we recommend following these simple rules to optimise their performance and to warranty good tonal balance and a realistic sound image.

The loudspeakers should be positioned symmetrically, facing the listening area, ideally forming an equilateral triangle with it. However, these distances may be adjusted to find the ideal compromise according to the design of your interior (fig. F).

The loudspeakers should be positioned at the same height, in the same horizontal plane. Ideally, the tweeter should be positioned at the same height as the listener's ears in the usual listening position (fig. G).

Do not position your loudspeakers too close to a corner of the room and do not place them too close to a wall. This will induce some unwanted room resonance and artificially increase bass response. On the other hand, if the bass level is considered to be insufficient, you could try moving the loudspeakers nearer a wall to re-balance the bass level (fig. I).

Optimisation (fig. H)

For perfectionists, here is a formula for optimal positioning:

If A is the distance from the centre of the woofer to the nearest floor or wall, B is the distance to the next closest floor or wall, and C is the greatest distance ($A < B < C$), the equation $B^2 = AC$ defines the ideal loudspeaker position.

• Example:

If the centre of the woofer is 20" (50cm) away from the rear wall (A) and 24" (60cm) above the floor (B), then the side wall will be ideally 28" (72cm) away [$C = B^2 / A = 28"$ (72cm)].

Recommendations for use

The behaviour of the loudspeakers depends on the acoustics of the listening room, on the correct positioning of the loudspeakers within the room, and on the position of the listener.

It is possible to tweak each of these parameters to obtain or improve a desired effect.

Stereo perception is imprecise and poorly centred: try moving the loudspeakers closer together and/or have them facing the listening point:

The sound is harsh, aggressive: the acoustics of your listening room are probably too reverberant. Consider using sound-absorbing materials (carpets, upholstered furniture, tapestries, curtains, etc.) and sound-reflecting materials (furniture) to absorb or diffuse resonance.

The sound is "flat", strangled: there are too many sound-absorbing materials in the room, the sound is soaked up, it has no relief. Look for the best compromise between sound-absorbing and sound-reflecting materials in your room.

In general, aim to have a reflective wall behind the loudspeakers for the sound to develop correctly. The wall behind the listening area, on the other hand, should ideally be sound-absorbing to avoid rear reflections "contaminating" the stereo image.

Furniture can be judiciously placed near the side walls of the room to diffuse sound waves and ensure certain frequency ranges are not excited, particularly in the midrange (suppression of flutter echoes).

Break-in period

The speaker drivers used in Theva loudspeakers are complex mechanical components which require a certain time to adapt to operate at their best and to become acclimatised to the temperature and humidity of the listening environment. This break-in period varies depending on the climate and may last a few weeks. To reduce the break-in period, we recommend operating the loudspeakers for approximately twenty consecutive hours. Once the loudspeakers' characteristics have totally stabilised, you will be able to enjoy your Theva loudspeakers' performance to the full.

Special precautions



The only maintenance required for the Theva loudspeakers is dusting with a dry cloth. If your loudspeaker becomes dirty, we recommend simply cleaning it with a damp cloth.

Never use solvents, detergents, alcohol-based or corrosive products, scrapers or scourers to clean the surface of a loudspeaker.

Keep the loudspeakers away from sources of heat.

Choosing the right amplifier

It is not an excess of amplifier power that can damage your loudspeakers and speaker drivers but a lack of power. Moreover, if the volume is turned up too high, the amplifier saturates and generates parasite signals that may damage the tweeter. The dynamic capacity and definition of Theva loudspeakers are sufficient to reveal the strengths and weaknesses of whatever amplifier is connected. Your retailer will be able to help you choose the amplifier best suited to your tastes and budget.

Conditions of warranty

All Focal loudspeakers are covered by warranty drawn up by the official Focal distributor in your country. Your distributor can provide all details concerning the conditions of warranty. Warranty cover extends at least to that granted by the legal warranty in force in the country where the original purchase invoice was issued.



Élimination correcte de ce produit.

Ce marquage indique que ce produit ne doit pas être éliminé avec les autres déchets ménagers au sein de l'UE. Par mesure de prévention pour l'environnement et pour la santé humaine, veuillez le recycler de manière responsable, pour favoriser la réutilisation des ressources matérielles. Pour retourner votre appareil usé, veuillez utiliser les systèmes de retour et de collecte ou contactez le détaillant chez lequel le produit a été acheté. Celui-ci pourra procéder au recyclage du produit en toute sécurité

(FR)



Correct elimination of this product.

This marking indicates that within the EU this product should not be disposed of with other household wastes. To prevent any risk to the environment or human health, please recycle them responsibly to encourage the reuse of material resources. To return your used device, please use the return and collection systems available, or contact the retailer where you purchased the product. They can recycle this product safely.

(EN)



Ordnungsgemäße Entsorgung des Produkts.

Diese Kennzeichnung weist darauf hin, dass dieses Produkt innerhalb der EU nicht mit anderen Haushaltsabfällen entsorgt werden darf.

Als Präventivmaßnahme für die Umwelt und die menschliche Gesundheit muss auf eine verantwortungsbewusste Wiederverwertung zur Förderung der Wiederverwendung von materiellen Ressourcen geachtet werden. Für die Rückgabe von Gebrauchtgeräten verwenden Sie bitte zur Verfügung stehende Rückgabe- und Recyclingsysteme oder wenden Sie sich an den Händler, bei dem Sie das Produkt erworben haben. Letzterer kann das Gerät sicher dem Wertstoffkreislauf zuführen.

(DE)



Eliminación correcta de este producto.

Este símbolo indica que este producto no debe eliminarse con el resto de residuos domésticos dentro de la UE. Con el objetivo de proteger el medioambiente y la salud pública, recicle de forma responsable para favorecer la reutilización de los recursos materiales. Para devolver su aparato usado, utilice los sistemas de devolución y recogida o póngase en contacto con el vendedor del producto. Este podrá proceder al reciclaje del producto de forma totalmente segura.

(ES)



Corretto smaltimento di questo prodotto.

Questa marcatura indica che, nell'UE, questo prodotto non deve essere smaltito insieme agli altri rifiuti domestici. A titolo preventivo per l'ambiente e la salute, deve essere riciclato in modo responsabile per favorire il riutilizzo delle risorse materiali. Per mandare indietro l'apparecchio usato, si prega di utilizzare il sistema di reso e raccolta o di contattare il rivenditore da cui è stato acquistato il prodotto, il quale potrà procedere a riciclare il prodotto in totale sicurezza.

(IT)



Points de collecte sur www.quefairedemesdechets.fr



Raccolta differenziata.
Verifica le disposizioni
del tuo Comune.



Scansionare il codice QR per
informazioni sullo smaltimento
degli imballaggi
Scan QR code for information
on packaging disposal



Regards sur

 **FOCAL**

At a glance

LE SON FOCAL

Vous venez d'acquérir un produit Focal : nous vous en remercions et vous souhaitons la bienvenue dans notre univers de musique et d'émotions. Innovation, tradition, performance et plaisir sont nos valeurs. Où que vous soyez, notre unique objectif est de vous offrir un son d'exception.

THE FOCAL SOUND

You have just purchased a Focal product. We would like to thank you and welcome you to our world, a world of music and emotions. Our key values are innovation, tradition, performance and pleasure. Wherever you are, our only aim is to bring you exceptional sound from our solutions.

LES COLLECTIONS FOCAL

Mêlant performances et design, les collections Focal sont un éveil aux émotions à travers la qualité ultime d'écoute qu'elles offrent. Et ce, partout: à la maison avec des enceintes acoustiques et intégrées, des systèmes Home Cinéma et des casques ouverts ; en déplacement avec des casques fermés et des kits automobiles ; en studio avec des moniteurs pour les professionnels ; et même en mer avec des solutions dédiées aux yachts.

FOCAL COLLECTIONS

Combining performance and design, Focal's collections are a revelation, awakening the emotions through a supreme listening experience. And it doesn't matter where you are. At home with traditional and in-wall/in-ceiling loudspeakers, Home Cinema systems and open-back headphones; on the go with closed-back headphones and in-car kits; in the studio with professional monitors; and even at sea with specialist yacht solutions.



Home Collection



Motorities Collection



Professional Collection

INNOVATION

Nos produits se démarquent par leurs technologies brevetées exclusives - vous ne les trouverez nulle part ailleurs -, mais aussi par la façon dont ils ont été pensés et conçus par nos ingénieurs acousticiens. Dans nos ateliers se côtoient réalisations artisanales et techniques de pointe au service de l'audio. Nous cultivons la rigueur, l'inventivité et la précision qui nous mènent à l'excellence.

INNOVATION

Our products stand apart for their exclusive patented technologies - you won't find them anywhere else - as well as for the way in which they have been designed and created by our sound engineers. Our workshops are places where handcrafted creations sit alongside cutting-edge techniques, all in the name of audio. We cultivate fine-tuning and precision, which is what makes us excellent.



EXCELLENCE

Réaliser les meilleures solutions pour offrir une expérience d'écoute absolue ; telle est la singularité de notre offre. Nous vous proposons un produit uniquement si nous sommes persuadés qu'il sera une référence dans sa catégorie. Notre savoir-faire en acoustique, associé à la maîtrise de notre fabrication, nous permet de présenter des produits uniques.

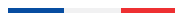
EXCELLENCE

Our distinction is to create the very best solutions that deliver the ultimate listening experience. We will only offer you a product if we are convinced that it will be the gold standard in its category. Our expertise in acoustics combined with complete control over our manufacturing process is what enables us to present unique products.



MANUFACTURÉ EN FRANCE

Depuis 1979, l'histoire de Focal s'écrit chaque jour avec des hommes et des femmes aux savoir-faire uniques. Nous sommes fiers de fabriquer nos produits d'exception dans nos ateliers de production à Saint-Étienne et d'ébénisterie à Bourbon-Lancy. Nous honorons chaque jour cet héritage singulier qui nous vaut aujourd'hui de compter parmi les Entreprises du Patrimoine Vivant français et d'être reconnus mondialement.



HANDCRAFTED IN FRANCE

Founded in 1979, Focal continues to write its own history each day, driven by men and women whom possess unique know-how. We are proud to manufacture exceptional products in our production workshops in Saint-Étienne and cabinetry workshops in Bourbon-Lancy, France. Every day we honour this exclusive heritage, which has afforded us certification as a French Living Heritage Company and recognition worldwide.



UTOPIA

Symboles de l'exception Focal, les lignes Utopia incarnent « l'impossible rendu possible ». L'histoire est née en 1995, avec Grande Utopia. Pari technologique, concentré d'innovations et démesure esthétique, cette enceinte donnera naissance à toute une génération de produits unanimement salués par la presse internationale. Aujourd'hui, l'enceinte acoustique Grande Utopia EM Evo, le casque Utopia, la ligne Utopia M pour l'automobile et les enceintes intégrées 1000 Series Utopia incarnent plus que tout l'excellence Focal.

UTOPIA

Symbolic of Focal exceptionalism, our Utopia lines embody 'the impossible made possible'. The story began in 1995, with Grande Utopia. A technological gamble, packed with innovations and with audacious styling, this loudspeaker would give rise to an entire generation of products universally acclaimed by the international press. Today, the Grande Utopia EM Evo hi-fi loudspeakers, Utopia headphones, the Utopia M line for vehicles and the 1000 Series Utopia integrated loudspeakers embody Focal excellence.



VERVENT AUDIO

Afin de vous offrir une expérience totale, Focal et Naim Audio - marque anglaise leader en électronique de pointe - sont unies au sein du groupe Vervent Audio. Nous travaillons main dans la main pour vous proposer une gamme de produits complémentaires. Nos solutions audio incarnent ce mélange de haute technologie et d'artisanat de luxe. Au cours des dernières années, nous avons accompli ensemble ce que nos marques n'auraient jamais pu réaliser séparément.

VERVENT AUDIO

Focal and Naim Audio — renowned, cutting-edge English hi-fi brand — have been working together as part of the Vervent Audio group to offer you a complete experience. We work hand-in-hand to offer you a range of complementary products. Our audio solutions perfectly embody this combination of high technology and luxury craftsmanship. Together, we have accomplished things in recent years that our brands would never have been able to achieve on their own.

