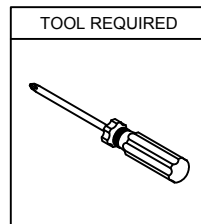
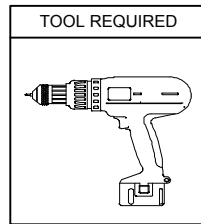
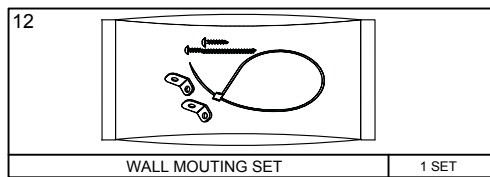
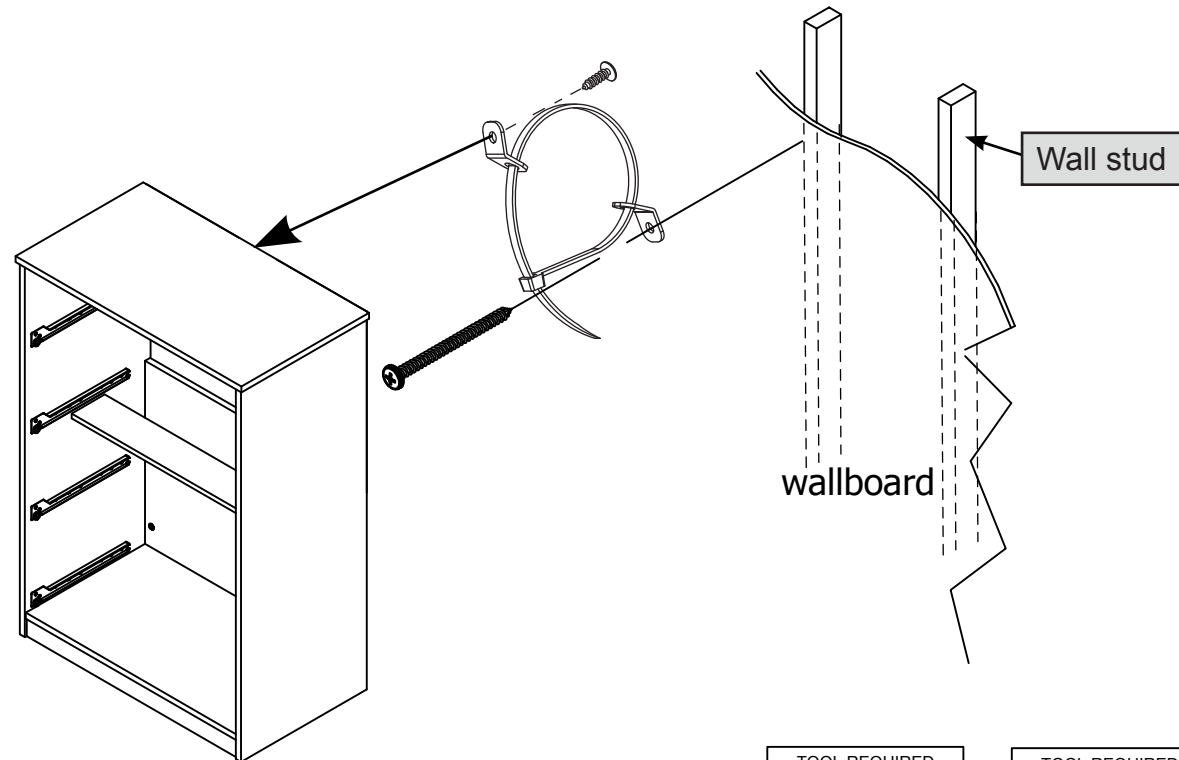
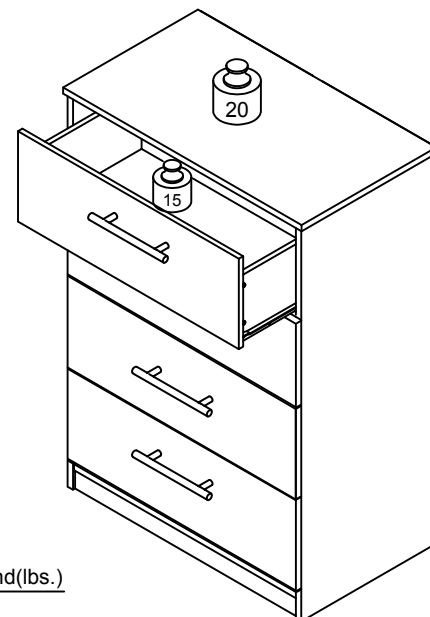
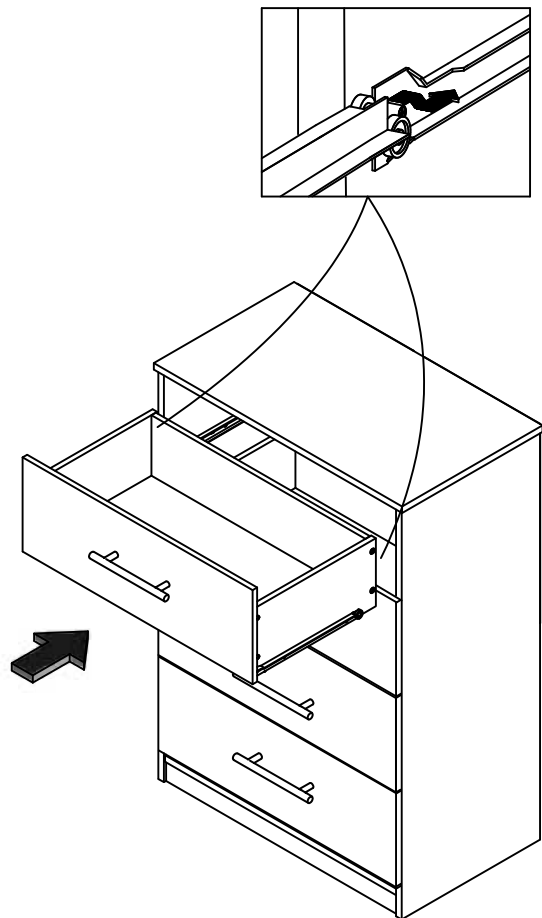


## STEP 11



## STEP 12

### Recommended Maximum Weight



\*Unit in Pound(lbs.)

#### **WARNING:**

>This unit has been designed to support the maximum loads shown. Exceeding these load limits could cause sagging, instability, product collapse, and/or serious injury.

>DO NOT allow children to climb on unit.

> Put heavier items on lower shelves.



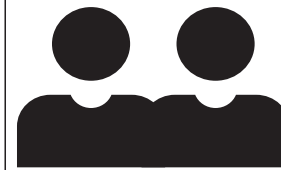
## Assembly Instruction

Furinno Lucca Simple Design 4-Drawer Dresser

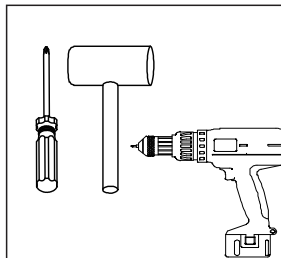
MODEL : 19155H

01:30

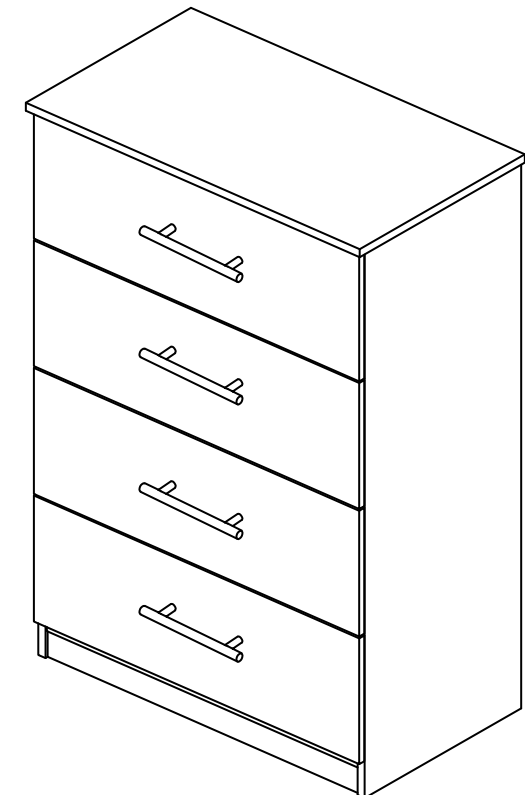
Approx. 1.5 Hours



Recomm. 2 Persons



Tool Required



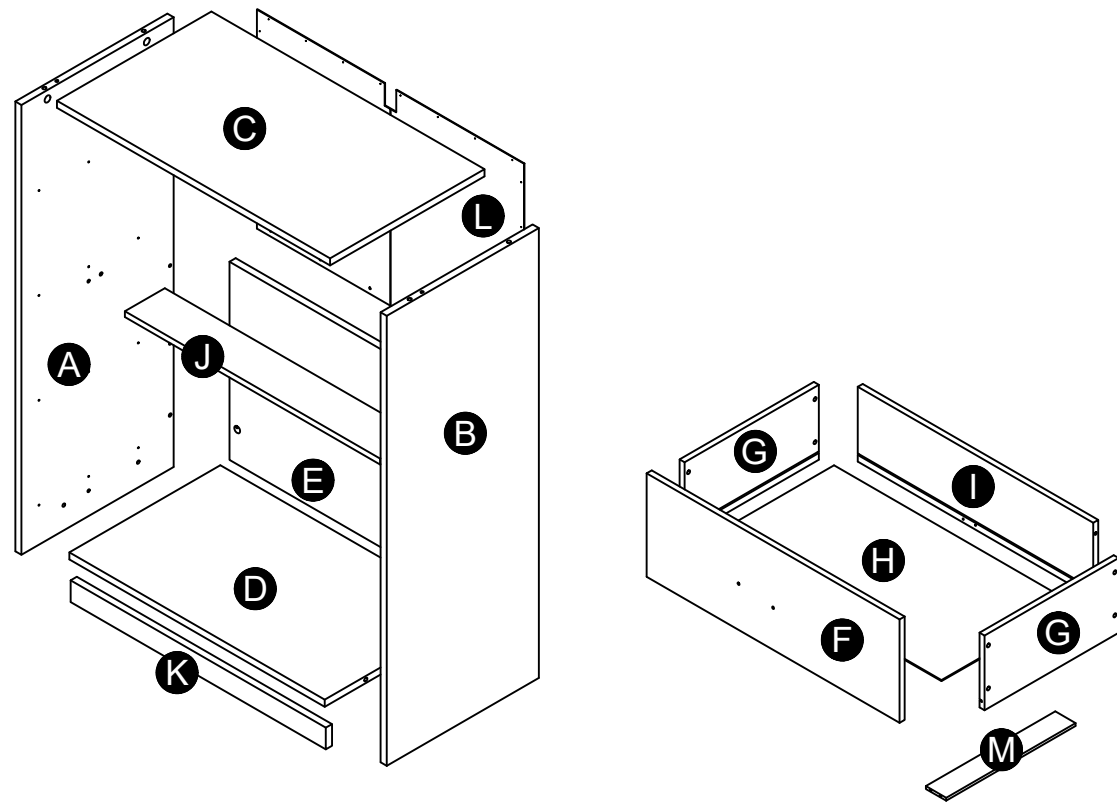
### Customer Support

**NEED HELP?** For replacement requests or product inquiries, please contact our Customer Service Team by emailing us at [support@furinno.com](mailto:support@furinno.com). Thank you for selecting Furinno!

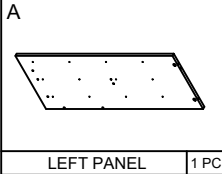
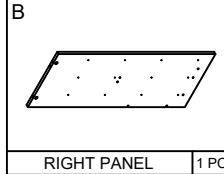
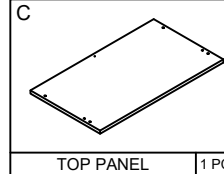
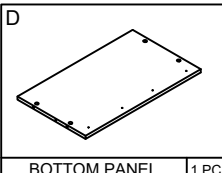
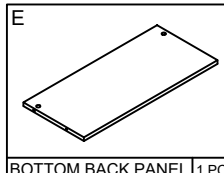
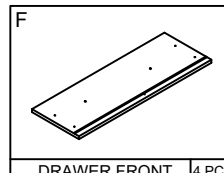
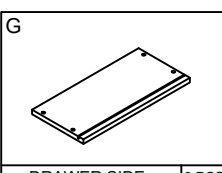
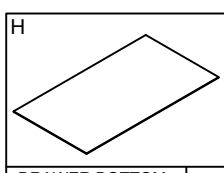
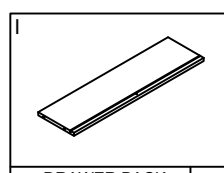
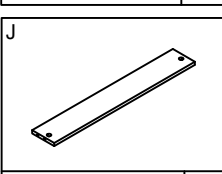
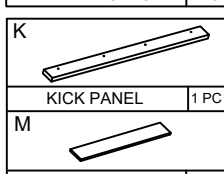
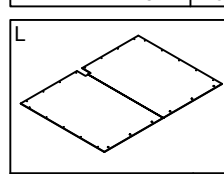

[www.furinno.com](http://www.furinno.com)



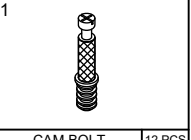
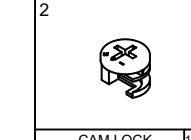
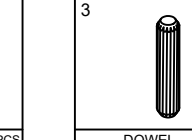
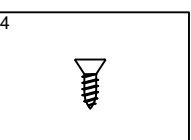
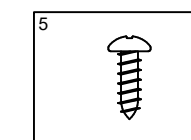
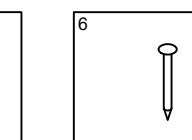
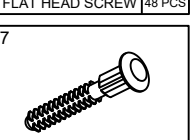
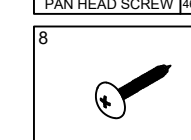
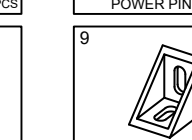
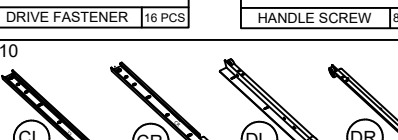
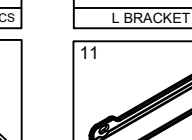
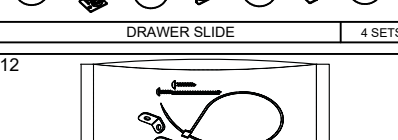
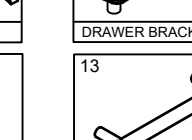
## EXPLODED VIEW



## PARTS LIST

 LEFT PANEL   1 PC	 RIGHT PANEL   1 PC	 TOP PANEL   1 PC
 BOTTOM PANEL   1 PC	 BOTTOM BACK PANEL   1 PC	 DRAWER FRONT   4 PCS
 DRAWER SIDE   8 PCS	 DRAWER BOTTOM   4 PCS	 DRAWER BACK   4 PCS
 SUPPORT PANEL   1 PC	 KICK PANEL   1 PC	 UPPER BACK PANEL   1 PC
	 DRAWER SUPPORT   4 PCS	

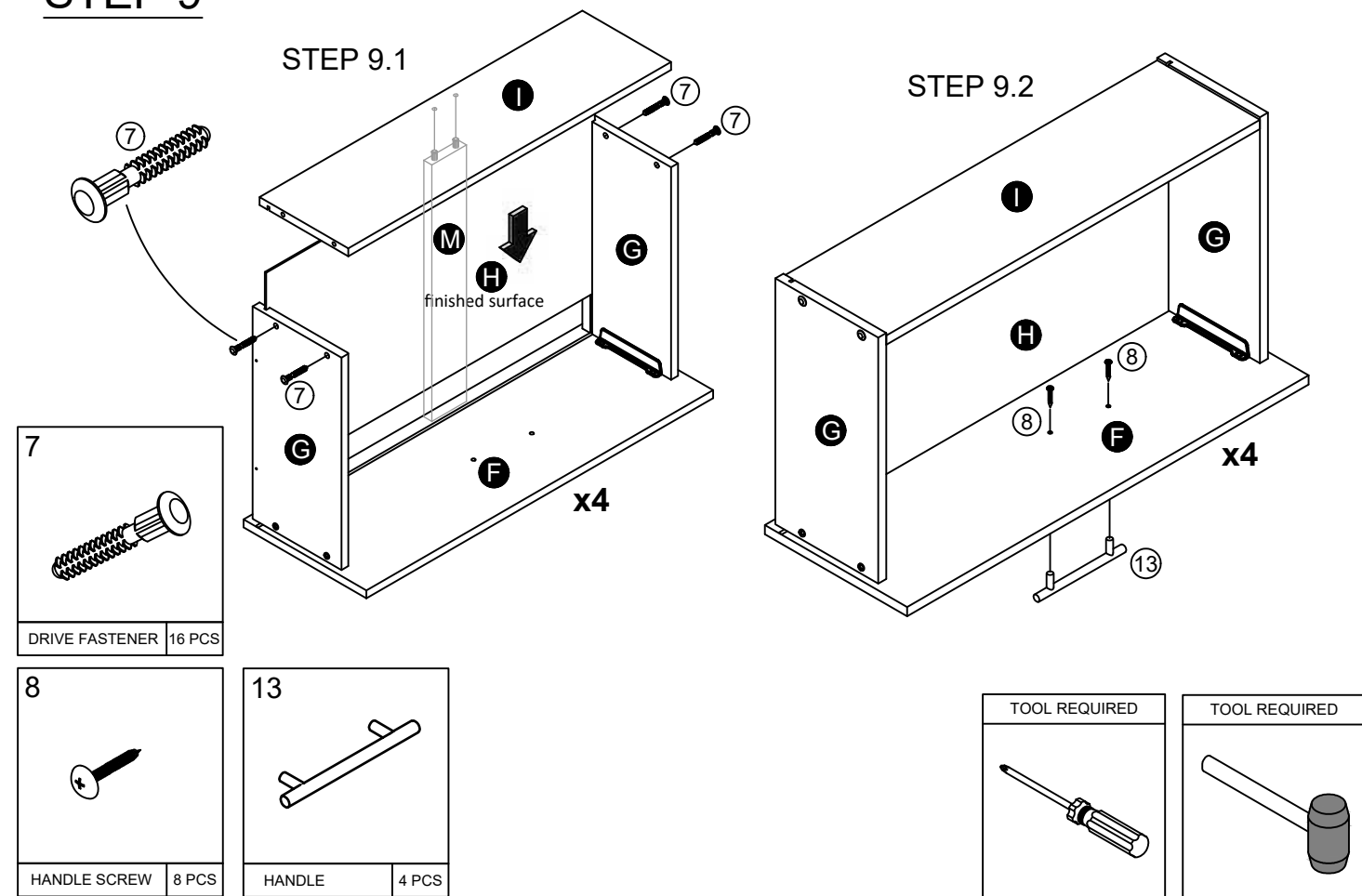
## HARDWARE LIST

 CAM BOLT   12 PCS	 CAM LOCK   12 PCS	 DOWEL   24 PCS
 FLAT HEAD SCREW   48 PCS	 PAN HEAD SCREW   46 PCS	 POWER PIN   18 PCS
 DRIVE FASTENER   16 PCS	 HANDLE SCREW   8 PCS	 L BRACKET   4 PCS
 DRAWER SLIDE   4 SETS		 DRAWER BRACKET   8 PCS
 WALL MOUNTING SET   1 SET		 HANDLE   4 PCS

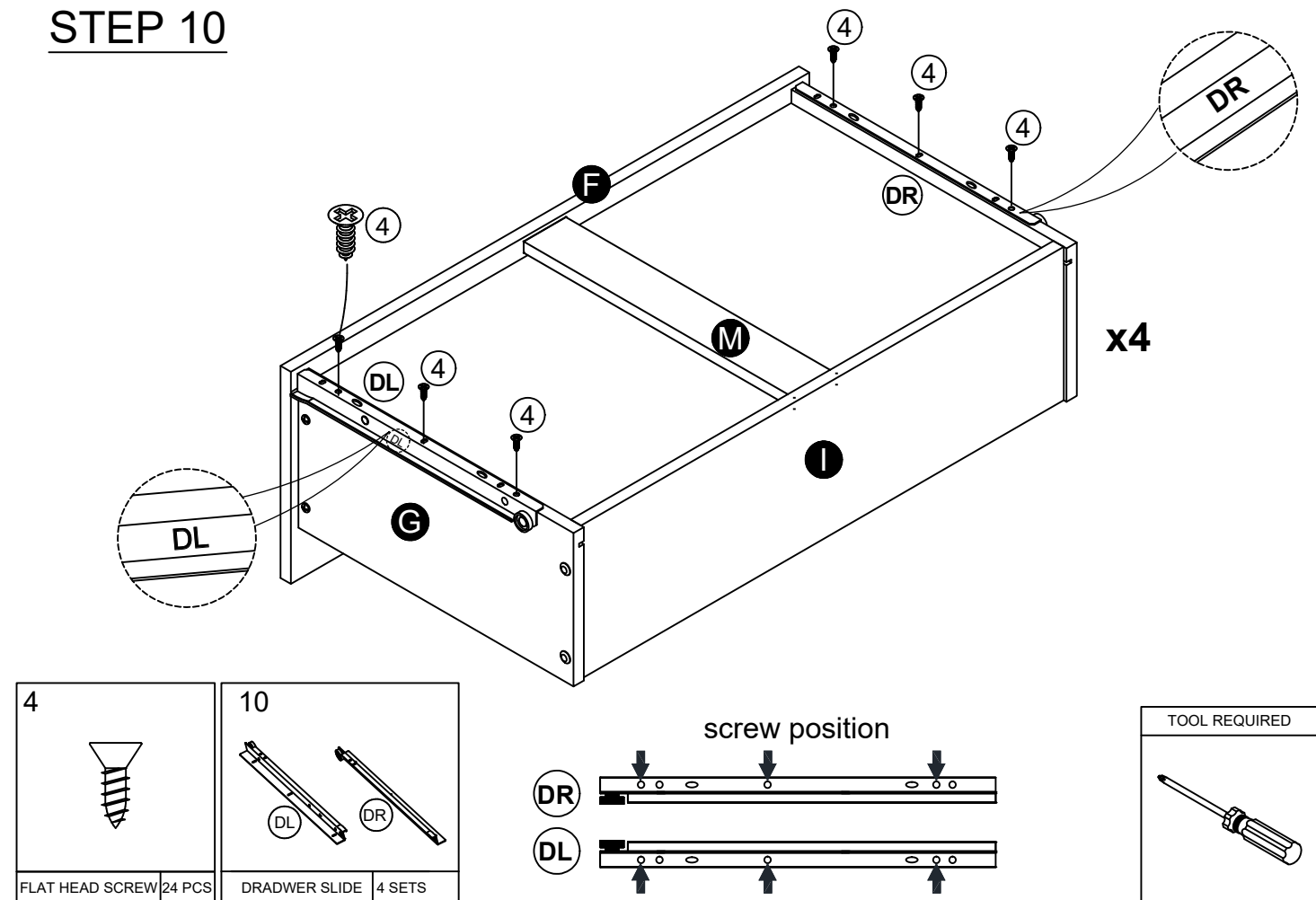
### USEFUL HINTS BEFORE YOU START:

1. Read each step carefully before starting.
2. It is important that each step is performed in correct order to avoid difficulties.
3. Identify, soft and count the parts before assembly.
4. Assemble your furniture on packaging cardboard to prevent scratch or damage.
5. Clean the product with mild cleanser using soft damp cloth. Do not use harsh or abrasive cleanser.
6. Using incompatible hardware might cause damage to product.

## STEP 9

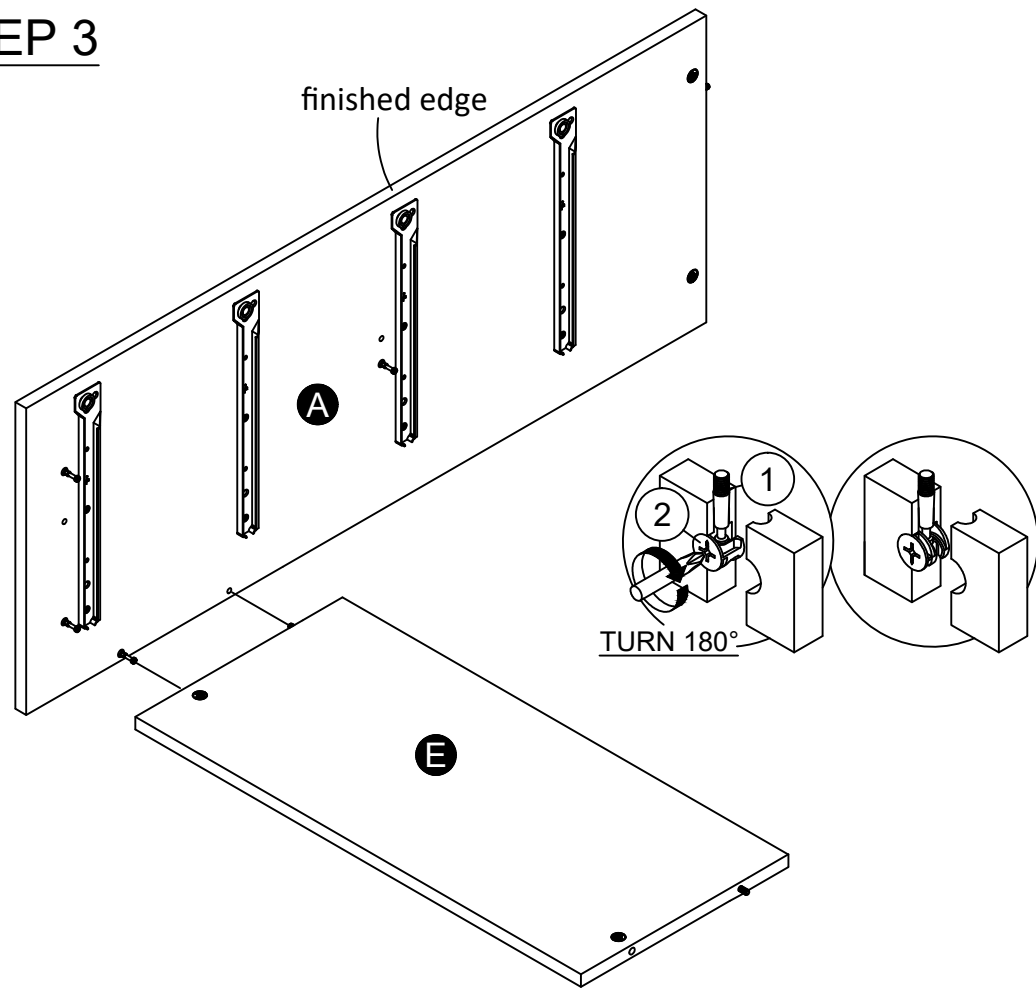


## STEP 10



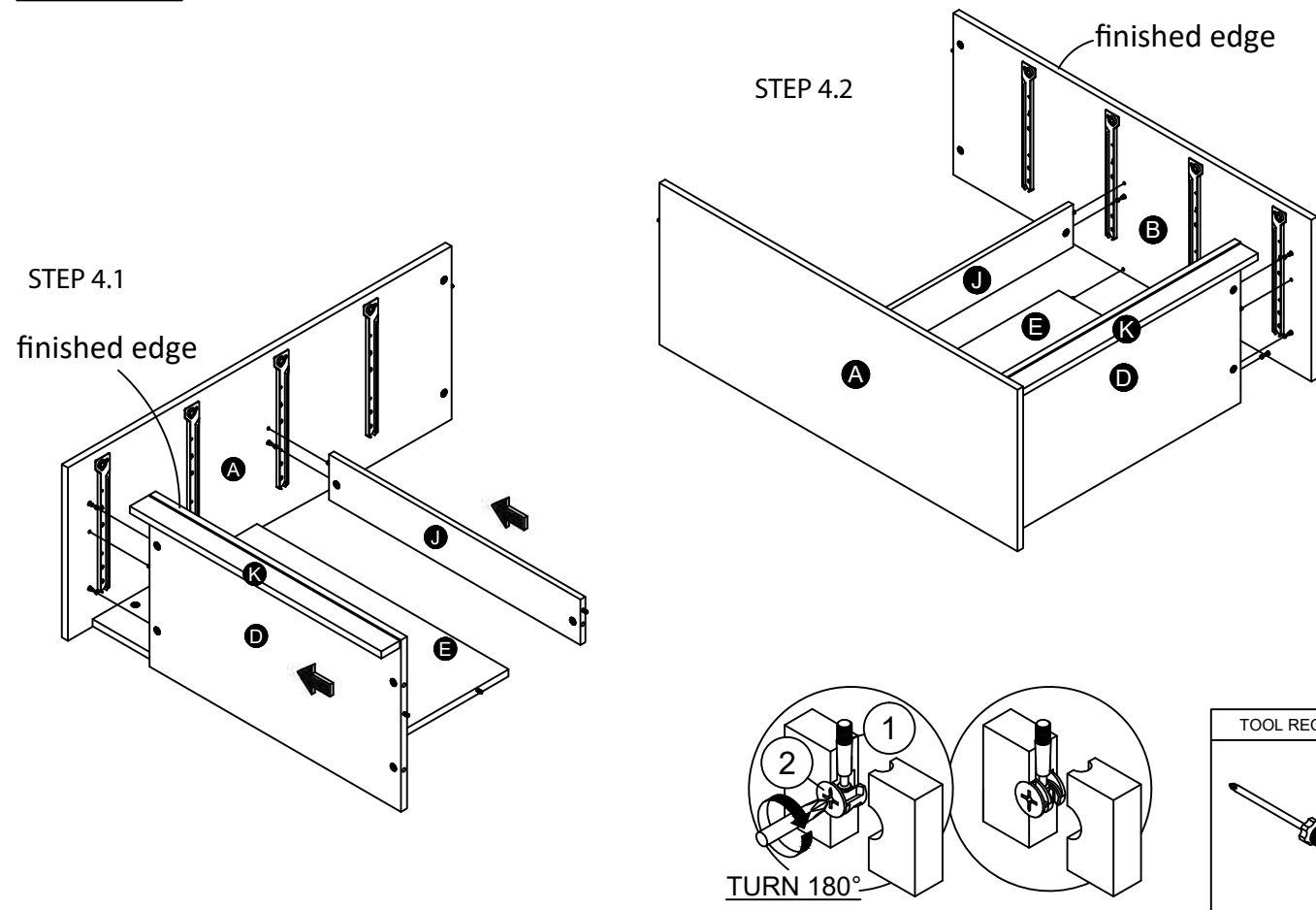


### STEP 3



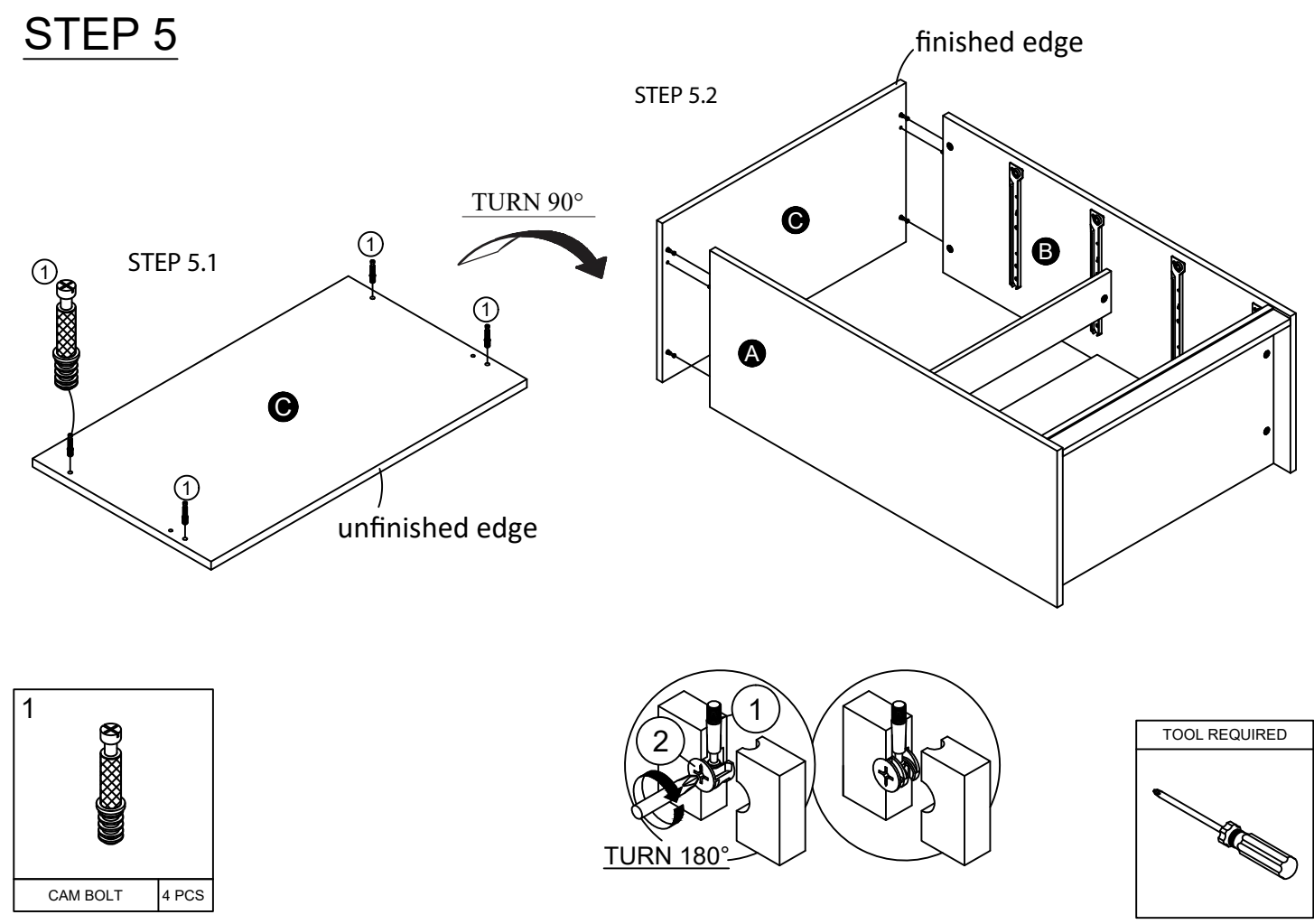
TOOL REQUIRED

### STEP 4



TOOL REQUIRED

### STEP 5

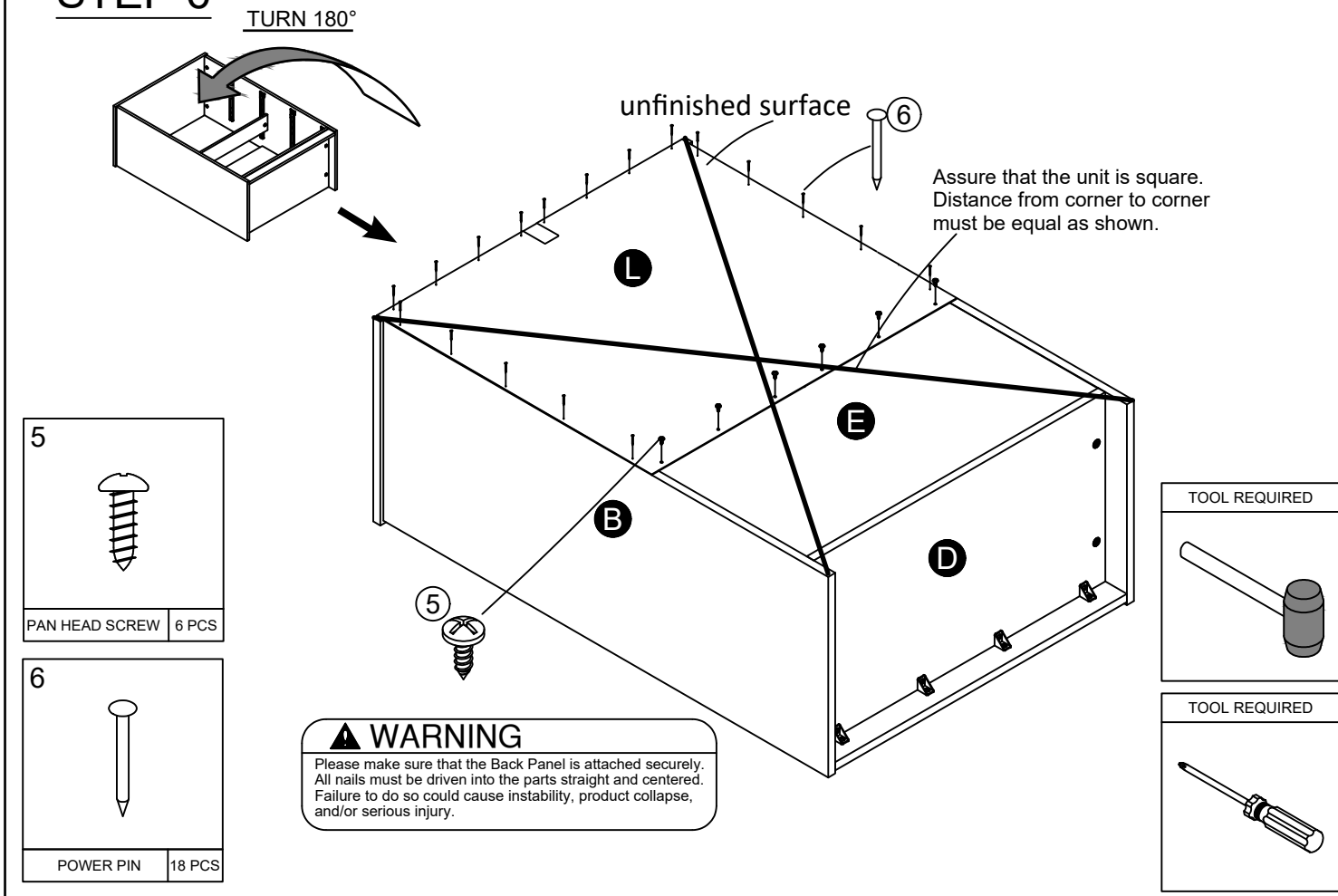


1

CAM BOLT 4 PCS

TOOL REQUIRED

### STEP 6



5

PAN HEAD SCREW 6 PCS

6

POWER PIN 18 PCS

TOOL REQUIRED

TOOL REQUIRED

**WARNING**  
Please make sure that the Back Panel is attached securely. All nails must be driven into the parts straight and centered. Failure to do so could cause instability, product collapse, and/or serious injury.