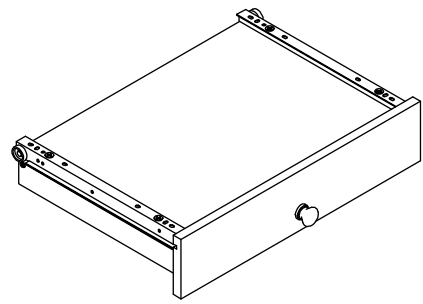
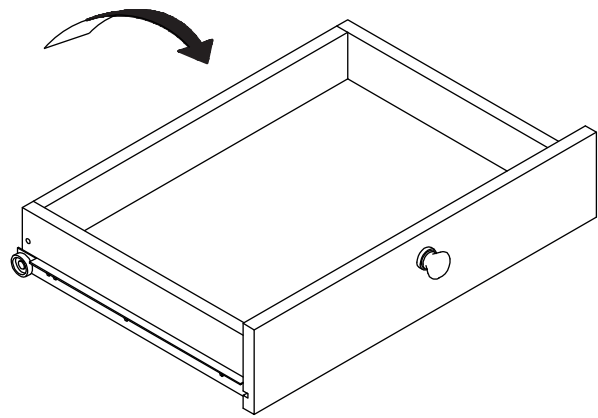


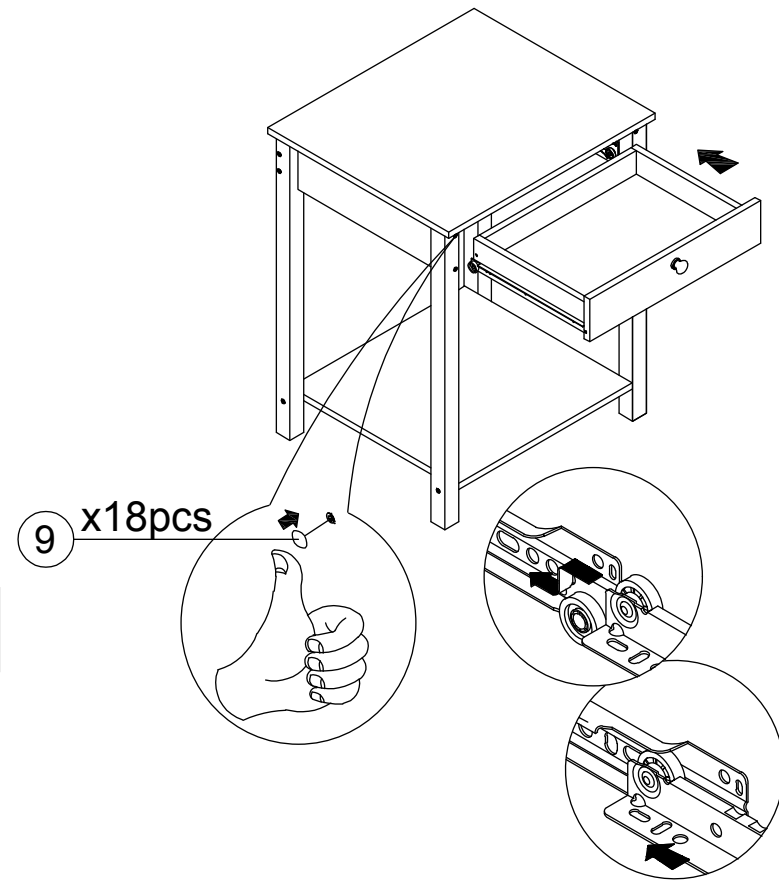
## STEP 12



TURN 180°

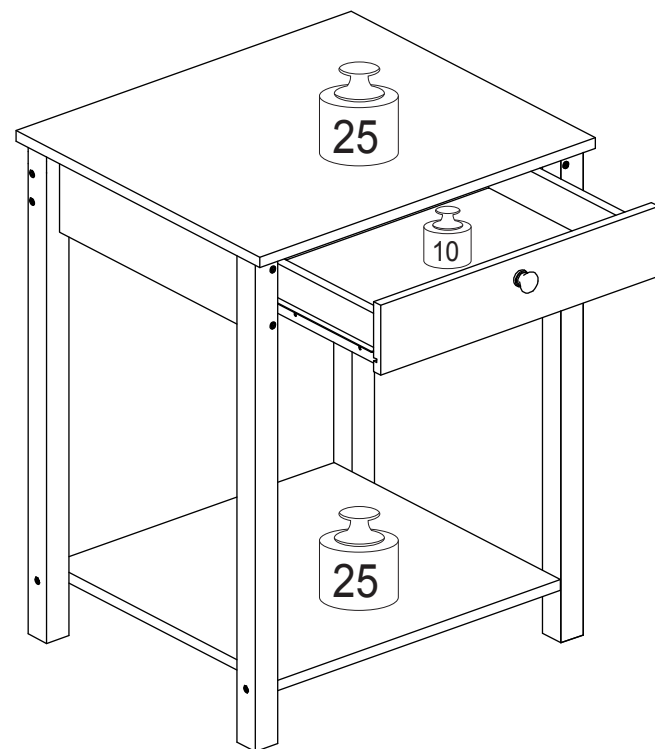


## STEP 13



9 x18pcs

## Recommended Maximum Weight



\*Unit in Pound(lbs.)

### **WARNING:**

>This unit has been designed to support the maximum loads shown. Exceeding these load limits could cause sagging, instability, product collapse, and/or serious injury.

>DO NOT allow children to climb on unit.

> Put heavier items on lower shelves.

# Furinno®

*Fits Space, Fits Budget*

## **Assembly Instruction**

Furinno Side Table With Drawer

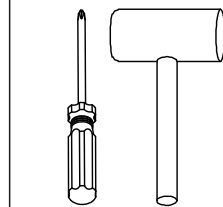
MODEL : 20231

00:20

Approx. 20 minutes



Recomm. 2 Person



Tools Required





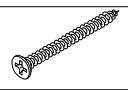

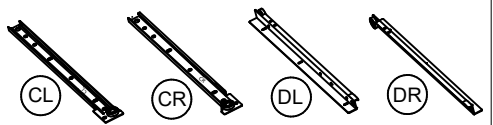



## **Customer Support**

**NEED HELP?** For replacement requests or product inquiries, please contact our Customer Service Team by emailing us at [support@furinno.com](mailto:support@furinno.com). Thank you for selecting Furinno!

[www.furinno.com](http://www.furinno.com)



# HARDWARE & PARTS LIST

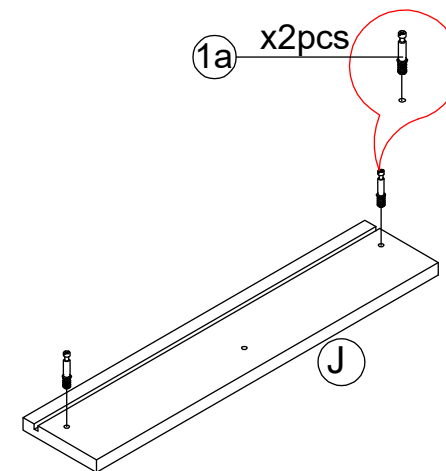
NO	HARDWARE LIST	QTY
1	MINIFIX 	7pcs
2	DOWEL 	4pcs
3	SCREW 38mm 	18pcs
4	SCREW 12mm 	12pcs
5	DRAWER SLIDE 	1set
6	KNOB HANDLE 	1pc
7	SCREW 25mm 	1pc
8	POWER PIN 	3pcs
9	ROUND STICKER	18pcs

NO	PARTS LIST	QTY
A	TOP PANEL	1pc
B	LEFT SIDE PANEL	1pc
C	RIGHT SIDE PANEL	1pc
D	SHELF PANEL	1pc
E	BACK PANEL	1pc
F	FRONT LEFT LEG PANEL	1pc
G	BACK LEFT LEG PANEL	1pc
H	FRONT RIGHT LEG PANEL	1pc
I	BACK RIGHT LEG PANEL	1pc
J	DRAWER FACE PANEL	1pc
K	DRAWER LEFT PANEL	1pc
L	DRAWER RIGHT PANEL	1pc
M	DRAWER BACK PANEL	1pc
N	DRAWER BASE PANEL	1pc

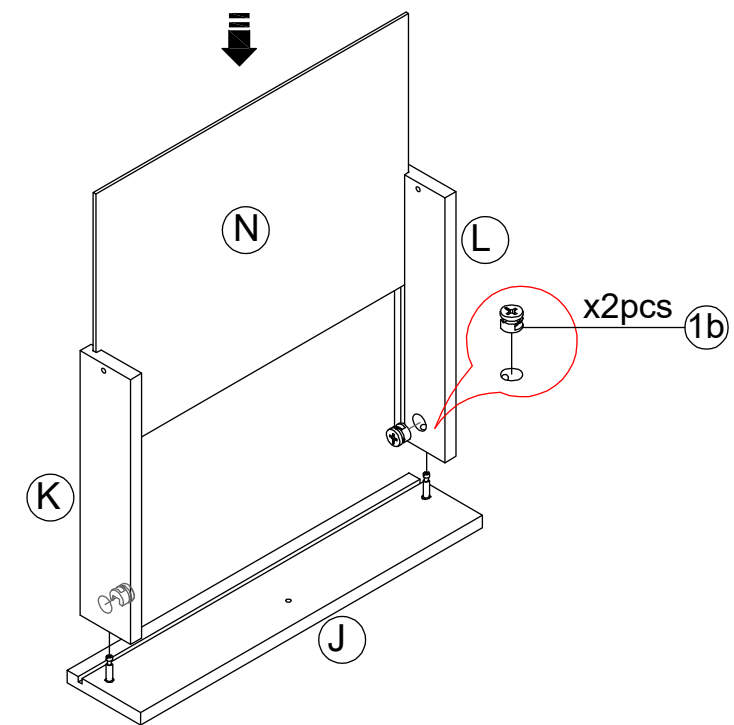
## USEFUL HINTS BEFORE YOU START:

1. Read each step carefully before starting.
2. It is important that each step is performed in correct order to avoid difficulties.
3. Identify, sort and count the parts before assembly.
4. Assemble your furniture on packaging cardboard to prevent scratch or damage.
5. Clean the product with mild cleanser using soft dampened cloth. Do not use harsh or abrasive cleanser.
6. Using incompatible hardware might cause damage to product.

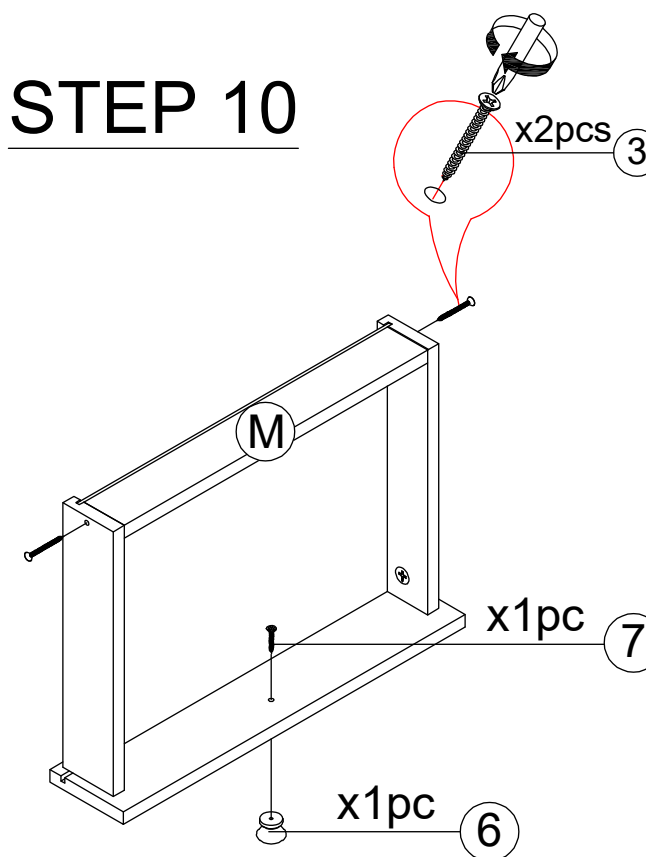
## STEP 8



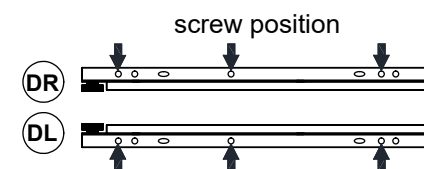
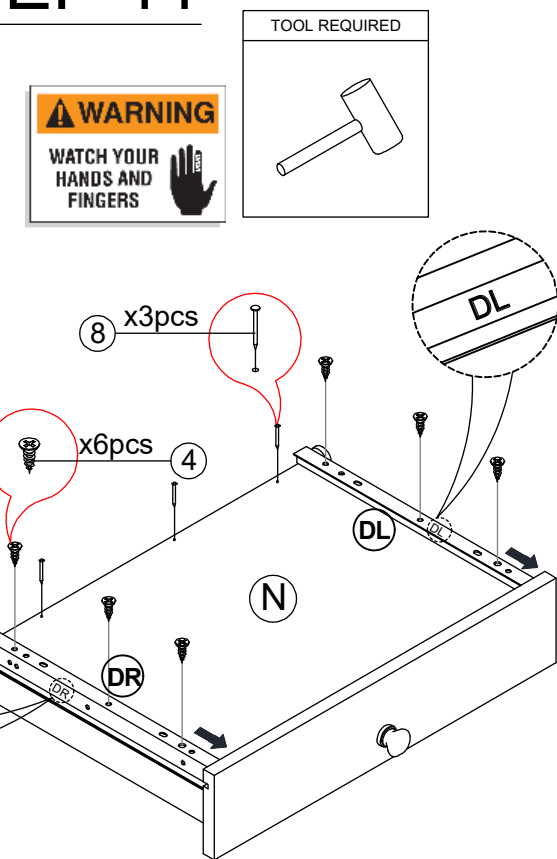
## STEP 9



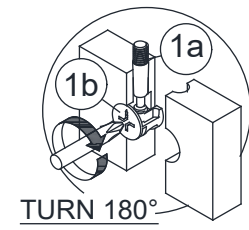
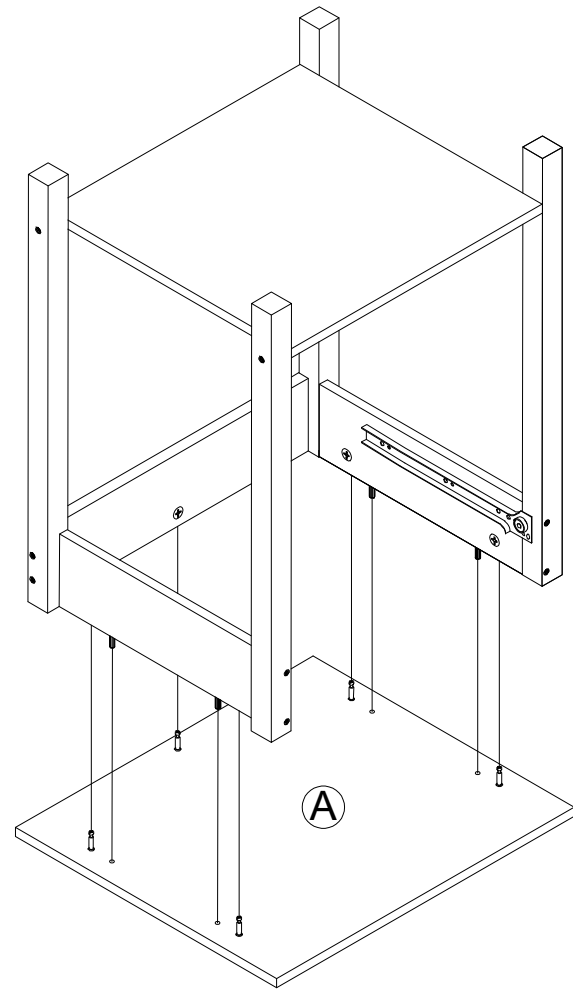
## STEP 10



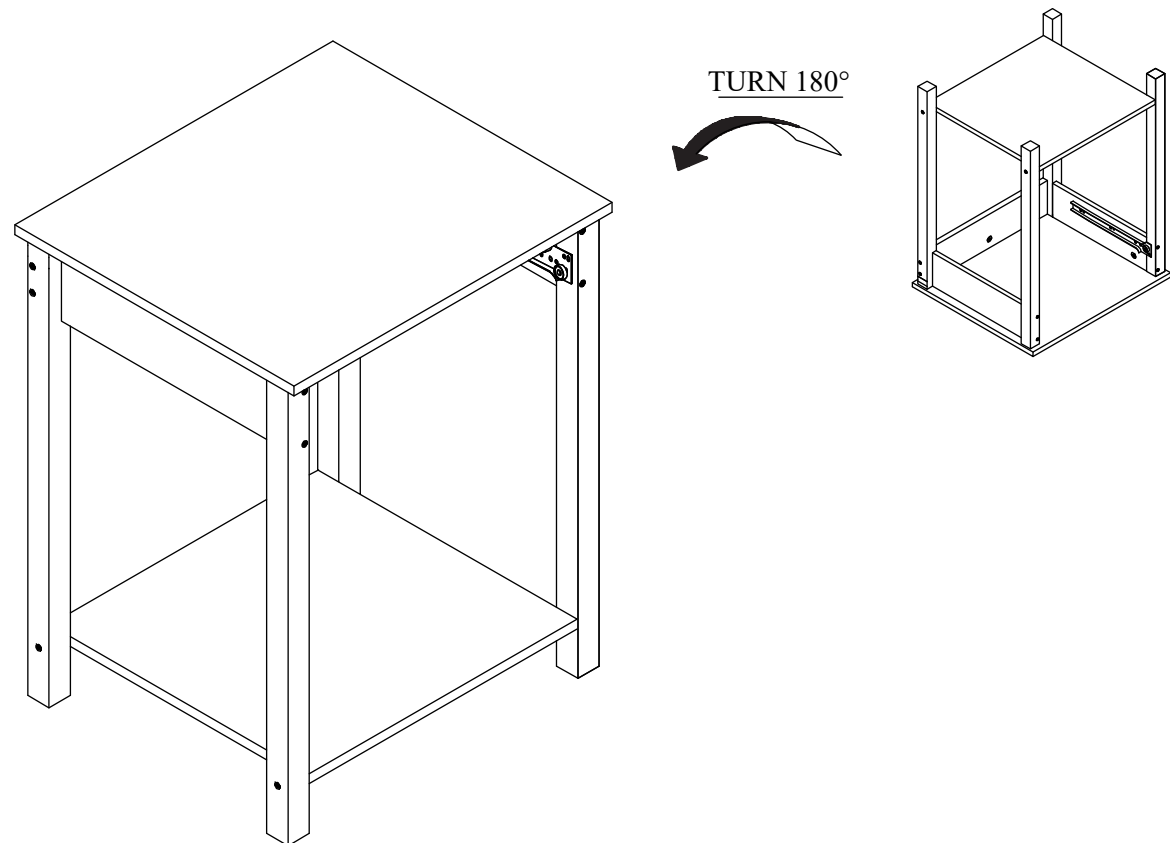
## STEP 11



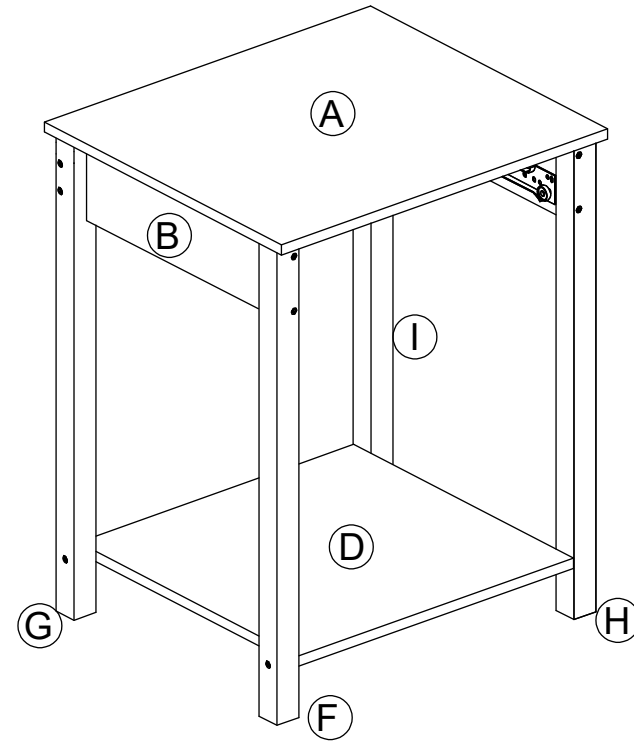
# STEP 6



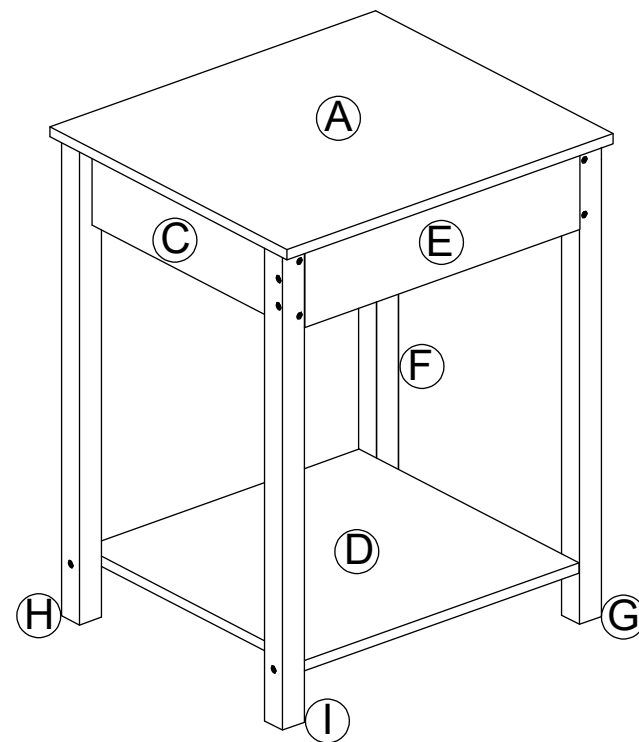
# STEP 7



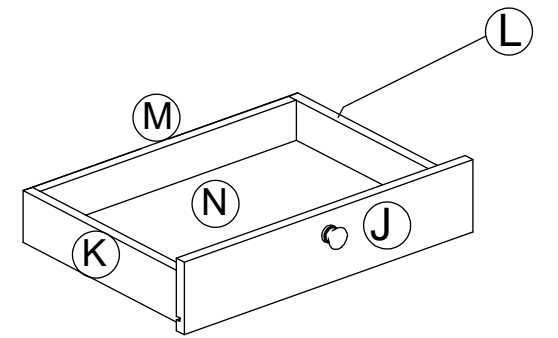
# FRONT VIEW



# BACK VIEW



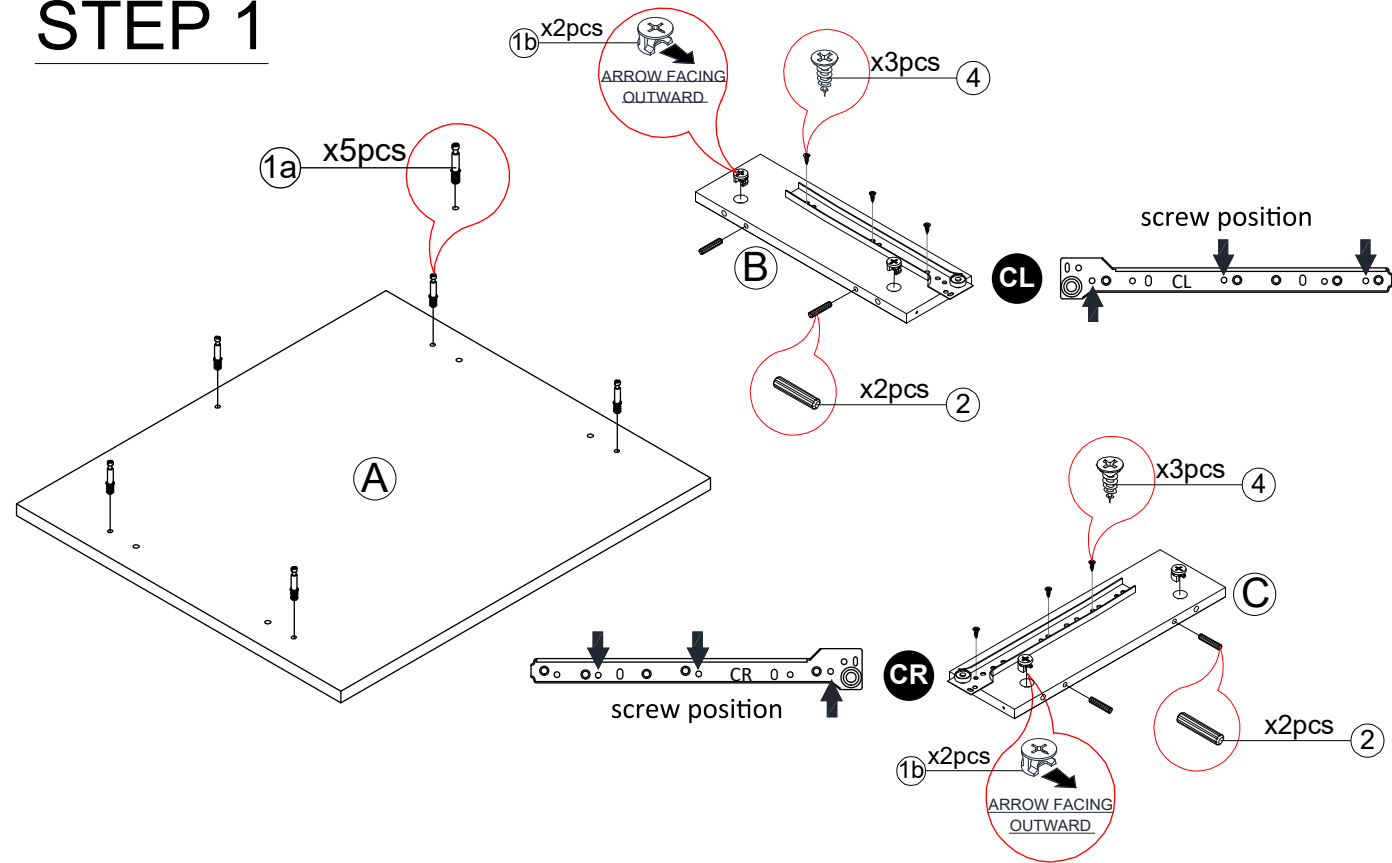
# DRAWER



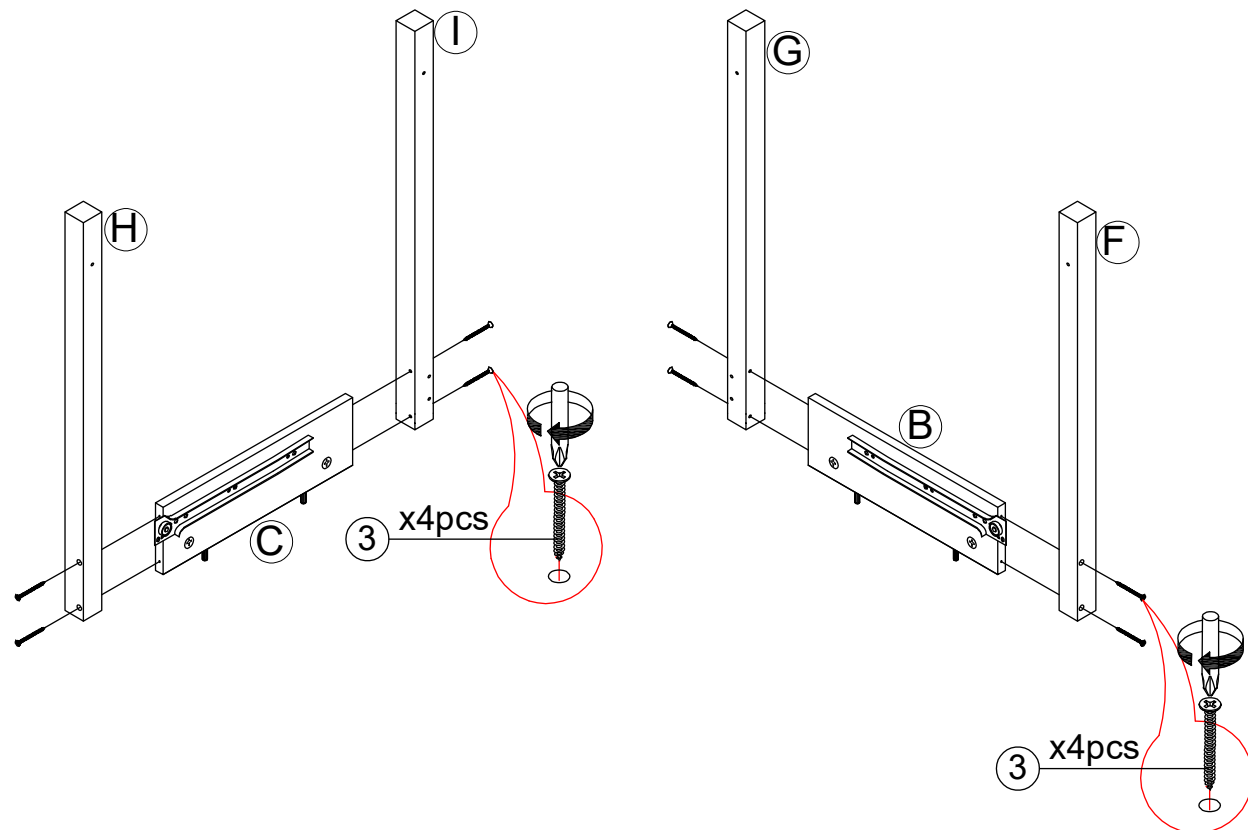
# ASSEMBLY INSTRUCTIONS

BEFORE YOU BEGIN, PLEASE READ ASSEMBLY INSTRUCTIONS CAREFULLY,  
FOLLOW THEM STEP BY STEP.

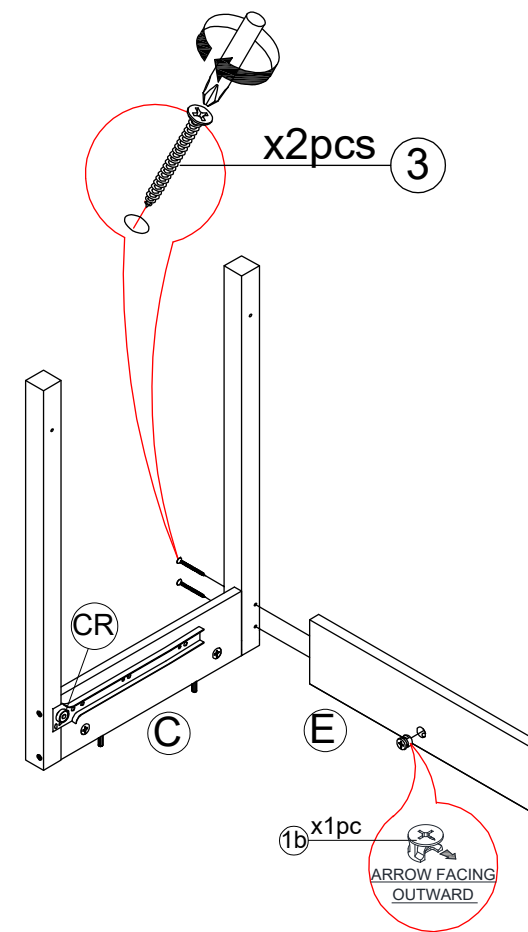
## STEP 1



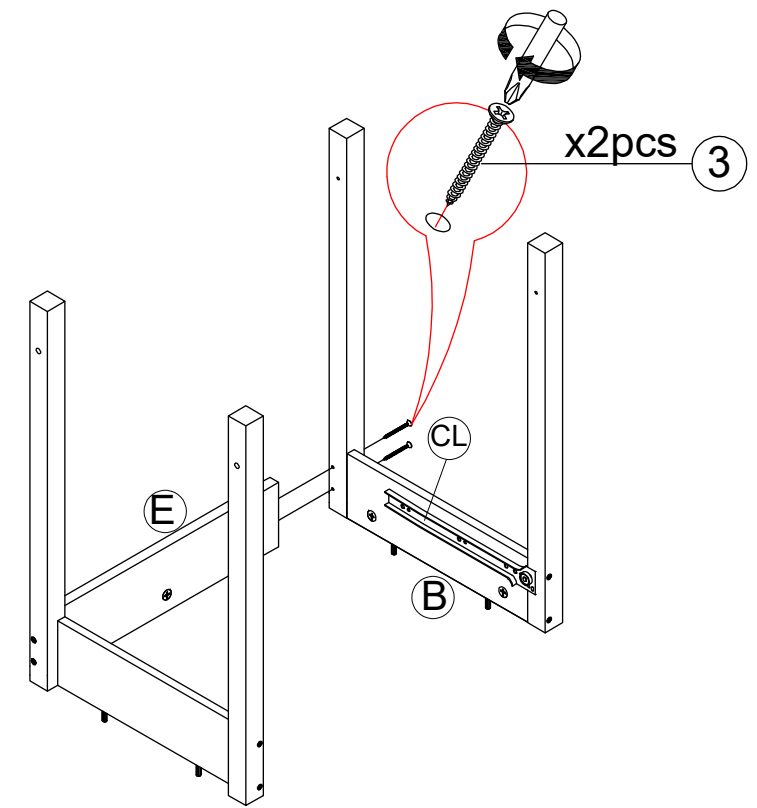
## STEP 2



## STEP 3



## STEP 4



## STEP 5

