

FACR14SA

# 14.5K Rooftop Unit for Furrion Chill Air Conditioner System

FACR14SA-BL



FACR14SA-PS



## Main Features



ULTRA QUIET



HIGH COOLING CAPACITY



HIGH ENERGY EFFICIENCY



LIGHTWEIGHT



AERODYNAMIC DESIGN



PROFILE



EASY INSTALL



UV RESISTANT



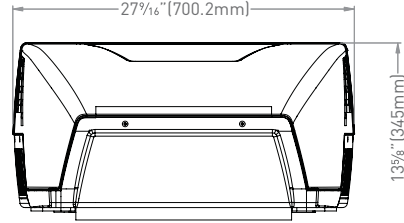
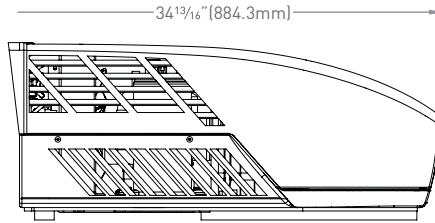
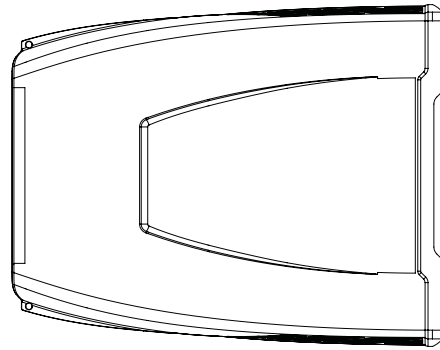
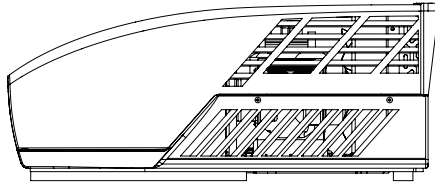
VIBRATIONSMART™



CLIMATESMART™

FURRIION





## Specifications

### Performance

Capacity	14,500 BTU
EER	2.13
Set Temperature Range	60°F to 86°F (16°C to 30°C)
Outdoor Sound Pressure Level	80dB
IP class	IP24
Refrigerant	R410A

### Electrical

Volts/Frequency/Phase	115V/60Hz/1Ph
Power (Cooling)	1,620 Watts
Amps (Cooling)	14.6

### Features

Eco-friendly Refrigerant	√
Rubber Damper	√
Dual Fan Motors	√
Thermo-insulated Heat	√

### Exchanger Enclosure

3 Fan Speeds (High/Med/Low)	√
Overload Protection	√

## Dimensions & Weight

Product Dimension (WxHxD)	27.56 x 13.62 x 34.81" (700.2 x 345 x 884.3mm)
Packaging Dimension (WxHxD)	35.69 x 28.44 x 15.5" (906 x 722 x 393mm)
Net Weight (lbs/kg)	79.4 / 36
Gross Weight (lbs/kg)	88.2 / 40

## Container Load Information

20' Container Load (pcs)	120
40' Container Load (pcs)	252
40'HQ Container Load (pcs)	252



FACT11MA

# Air Distribution Box with Manual Control for Furrion Chill Air Conditioner System



FACT11MA-PS



## Main Features



TEMPERATURE CONTROL



3 FAN SPEEDS



2 WAY AIR FLOW



DETACHABLE FILTER



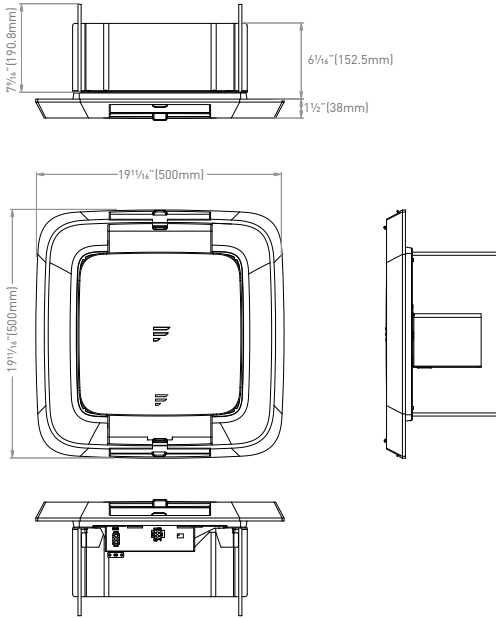
EASY INSTALLATION



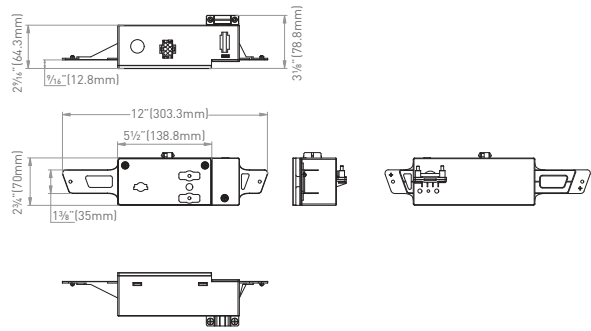
CAN BE USED FOR DUCTED / NON-DUCTED

FURRION

## Air Distribution Box



## Single/Multi Zone Controller



## Specifications

### Air Distribution Box

Mechanical Control	8 positions
Two Way Air Outlet	√
Indoor Sound Pressure Level	60dB

### Controller

Input Power	AC 115V
Frequency	60Hz
Compressor & Condenser Fan	AC 115V/20A
3 Evaporator Fan Motor Relay	AC 115V/5A
Temperature Range	64.4°F to 86°F (18°C to 30°C)

## Container Load Information

### Air Distribution Box

20' Container Load (pcs)	836
40' Container Load (pcs)	1,704
40'HQ Container Load (pcs)	1,955

### Single/Multi Zone Controller

40'HQ Container Load (pcs)	37,240
----------------------------	--------

## Dimensions & Weight

### Air Distribution Box

Product Dimension (WxHxD)	19.69 x 13.62 x 19.69" (500 x 242.6 x 500mm)
Packaging Dimension (WxHxD)	20.44 x 20.5 x 5.38" (530 x 520 x 135mm)
Net Weight (lbs/kg)	6.7 / 3
Gross Weight (lbs/kg)	8.6 / 3.9

### Single Zone Controller

Product Dimension (WxHxD)	12 x 3.13 x 2.75" (303.3 x 78.8 x 70mm)
Packaging Dimension (WxHxD)	25 x 12.44 x 13.44" (635 x 315 x 340mm)
Net Weight (lbs/kg)	30.9 / 14
Gross Weight (lbs/kg)	33.1 / 15

\* Note: "√"=Equipped