

FACR15SA

15.5K Rooftop Unit for Furrion Chill Air Conditioner System

FACR15SA-BL

FACR15SA-PS



Main Features



ULTRA QUIET



HIGH COOLING CAPACITY



HIGH ENERGY EFFICIENCY



LIGHTWEIGHT



AERODYNAMIC DESIGN



PROFILE



UV RESISTANT

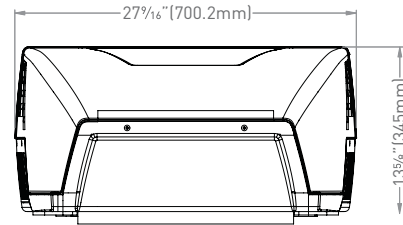
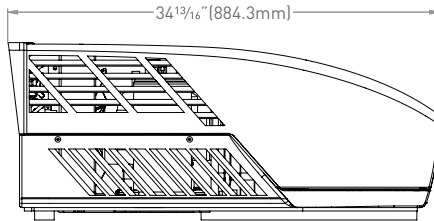
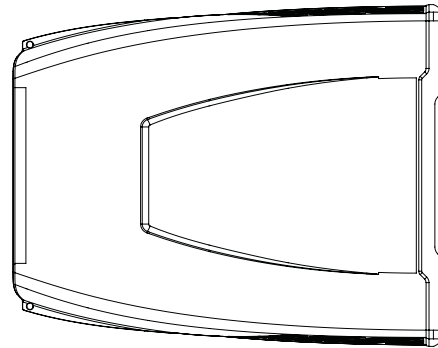
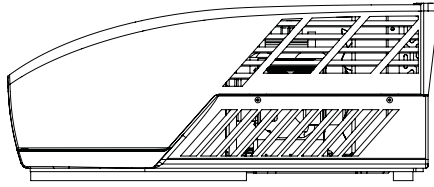


VIBRATIONSMART™



CLIMATESMART™

FURRION



Specifications

Performance

Capacity	15,500 BTU
EER	2.19
Set Temperature Range	60°F to 86°F (16°C to 30°C)
Outdoor Sound Pressure Level	80dB
IP class	IP24
Refrigerant	R410A

Electrical

Volts/Frequency/Phase	115V/60Hz/1Ph
Power (Cooling)	1,720 Watts
Amps (Cooling)	15.4

Features

Eco-friendly Refrigerant	√
Rubber Damper	√
Dual Fan Motors	√
Thermo-insulated Heat	√

Exchanger Enclosure

3 Fan Speeds (High/Med/Low)	√
Overload Protection	√

Dimensions & Weight

Product Dimension (WxHxD)	27.56 x 13.62 x 34.81" (700.2 x 345 x 884.3mm)
Packaging Dimension (WxHxD)	35.69 x 28.44 x 15.5" (906 x 722 x 393mm)
Net Weight (lbs/kg)	81.6 / 37
Gross Weight (lbs/kg)	90.4 / 41

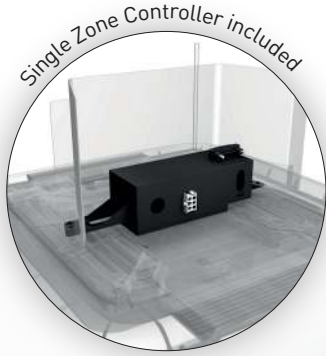
Container Load Information

20' Container Load (pcs)	120
40' Container Load (pcs)	252
40'HQ Container Load (pcs)	252



FACT11MA

Air Distribution Box with Manual Control for Furrion Chill Air Conditioner System



FACT11MA-PS



Main Features



TEMPERATURE CONTROL



3 FAN SPEEDS



2 WAY AIR FLOW



DETACHABLE FILTER



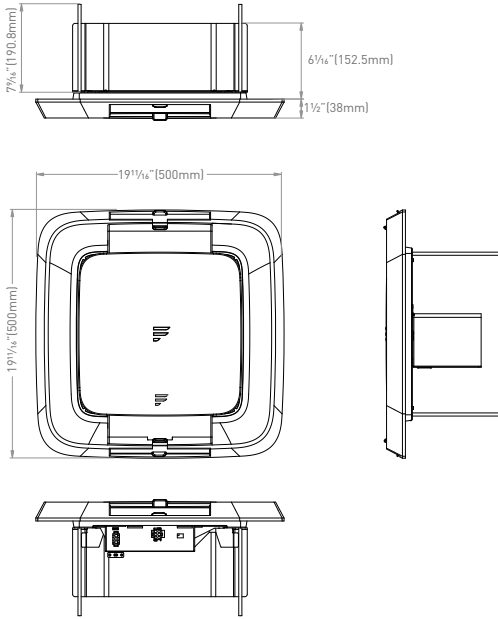
EASY INSTALLATION



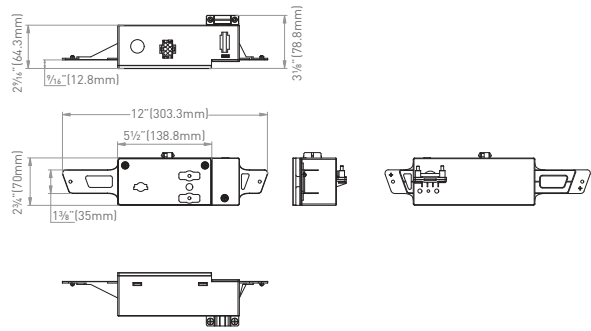
CAN BE USED FOR DUCTED / NON-DUCTED

FURRION

Air Distribution Box



Single/Multi Zone Controller



Specifications

Air Distribution Box

Mechanical Control	8 positions
Two Way Air Outlet	√
Indoor Sound Pressure Level	60dB

Controller

Input Power	AC 115V
Frequency	60Hz
Compressor & Condenser Fan	AC 115V/20A
3 Evaporator Fan Motor Relay	AC 115V/5A
Temperature Range	64.4°F to 86°F (18°C to 30°C)

Container Load Information

Air Distribution Box

20' Container Load (pcs)	836
40' Container Load (pcs)	1,704
40'HQ Container Load (pcs)	1,955

Single/Multi Zone Controller

40'HQ Container Load (pcs)	37,240
----------------------------	--------

Dimensions & Weight

Air Distribution Box

Product Dimension (WxHxD)	19.69 x 13.62 x 19.69" (500 x 242.6 x 500mm)
Packaging Dimension (WxHxD)	20.44 x 20.5 x 5.38" (530 x 520 x 135mm)
Net Weight (lbs/kg)	6.7 / 3
Gross Weight (lbs/kg)	8.6 / 3.9

Single Zone Controller

Product Dimension (WxHxD)	12 x 3.13 x 2.75" (303.3 x 78.8 x 70mm)
Packaging Dimension (WxHxD)	25 x 12.44 x 13.44" (635 x 315 x 340mm)
Net Weight (lbs/kg)	30.9 / 14
Gross Weight (lbs/kg)	33.1 / 15

* Note: "√" = Equipped