

1465W(5000BTU) Built-in Electric Fireplace Foyer électrique encastré de 1465W (5000BTU) Chimenea eléctrica incorporada de 1465W (5000BTU)

Instruction Manual
Manuel d'instructions
Manual de instrucciones



- * Picture shown here is for reference only.
- * Wall-mount Bracket is optional.
- * L'image montrée ici est pour la référence seulement.
- * Support mural en option.
- * El cuadro demostrado aquí está para la referencia solamente.
- * El soporte de montaje en pared es opcional.

Model/Modèle/Modelo:

FF23SW15A-BL/FF23SC15A-BL/FF30SW15A-BL/FF30SC15A-BL/FF30SP15A-BL/FF34SW15A-BL
FF34SC15A-BL/FF34SP15A-BL/FF40SW15A-BL/FF40SC15A-BL/FF40SP15A-BL/FF48SW15A-BL
FF48SC15A-BL/FF60SW15A-BL/FF60SC15A-BL/ FF23SW15A-SS/FF23SC15A-SS/FF30SW15A-SS
FF30SC15A-SS/FF34SW15A-SS/FF34SC15A-SS/FF40SW15A-SS/FF40SC15A-SS/FF48SW15A-SS
FF48SC15A-SS/FF60SW15A-SS/FF60SC15A-SS

Welcome

English

Thank you for purchasing this Furrion® 1465W (5000BTU) Built-in Electric Fireplace. Before operating your new product, please read these instructions carefully. This will ensure safe use and reduce the risk of injury. This instruction manual contains information for installation, maintenance of the product and safe use.

Please keep this instruction manual in a safe place for future reference. Be sure to pass on this manual to any new owners of this product.


The manufacturer does not accept responsibility for any damages due to not observing these instructions.

Contents

| | |
|--|-----------|
| Welcome | 1 |
| Contents | 2 |
| Important Safety Instructions | 3 |
| Grounding Instructions | 4 |
| FCC Statement | 5 |
| Function Overview | 6 |
| Control Panel | 6 |
| Remote Control | 6 |
| Installation | 7 |
| What's in the box | 7 |
| Wall-mount Installation (Flush-mounted)..... | 7 |
| Wall-mount Installation (Half Flush-mounted) | 8 |
| Residential Installation | 9 |
| RV Installation | 9 |
| Operation | 10 |
| To Turn On/Off | 10 |
| To Adjust the Temperature..... | 10 |
| Timer Setting..... | 10 |
| Interior Brightness Control..... | 10 |
| Thermostat Control..... | 10 |
| Care and Maintenance | 11 |
| Glass Cleaning | 11 |
| Fireplace Surface Cleaning..... | 11 |
| Servicing..... | 11 |
| Troubleshooting | 12 |
| Specifications | 13 |

Important Safety Instructions

When using electrical appliances, basic precautions should always be followed to reduce the risk of fire, electric shock, and injury to persons, including the following:

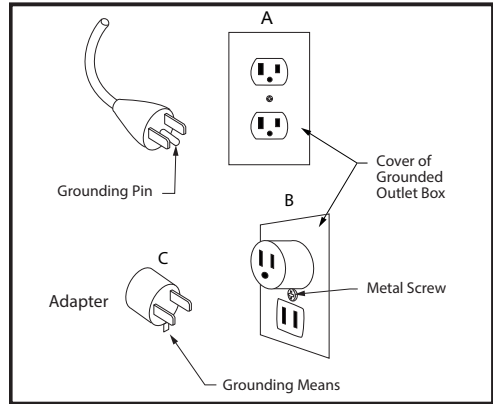
1. Read all instructions before using this appliance.
2. This fireplace is hot when in use. To avoid burns, do not let bare skin touch hot surfaces. The trim around the heater outlet becomes hot during heater operation.
3. Extreme caution is necessary when any heater is used by or near children or infants and whenever the heater is left operating unattended.
4. Young children should be supervised to ensure that they do not play with the appliance.
5. The appliance is not intended for use by young children or elderly persons without supervision.
6. If the supply cord is damaged, it must be replaced by the manufacturer, or its service agent, or a qualified person in order to avoid a hazard.
7. Do not operate any unit with a damaged cord or plug, if the heater has malfunctioned, or if the electric fireplace has been dropped or damaged in any manner.
8. Do not use outdoors.
9. Never locate fireplace where it may fall into a bathtub or other water container.
10. Do not run the cord under carpeting. Do not cover cord with throw rugs, runners, or the like. Arrange cord away from traffic area and where it will not be tripped over.
11. Do not locate the heater immediately below a fixed socket outlet.
12. To disconnect the fireplace, press  button, ensure the fireplace is turned off, then unplug it from the outlet.
13. Do not insert or allow foreign objects to enter any ventilation or exhaust opening as this may cause an electric shock, fire, or damage to the heater.
14. Do not block air intake or exhaust in any manner. Do not use on soft surfaces, like a bed, where openings may become blocked.
15. All electrical heaters have hot and arcing or sparking parts inside. Do not use in areas where gasoline, paint, or flammable liquids are used or stored or where the unit will be exposed to flammable vapors.
16. Do not modify the electric fireplace. Use it only as described in this manual. Any other use not recommended by the manufacturer may cause fire, electric shock or injury to persons.
17. Avoid the use of an extension cord. Extension cords may overheat and cause a risk of fire. If you must use an extension cord, the cord shall be No. 14 AWG minimum size and rated no less than 1875 Watts.
18. Do not burn wood or other materials in the electric fireplace.
19. Do not strike the fireplace glass.
20. Always use a certified electrician should new circuits or outlets be required.
21. Always use properly grounded, fused and polarized outlets.
22. Disconnect all power supplies before performing any cleaning, maintenance or relocation of the unit.

Important Safety Instructions

23. When transporting or storing the unit and cord, keep in a dry place, free from excessive vibration and store so as to avoid damage.

Grounding Instructions

DANGER: Improper connection of the equipment-grounding conductor can result in a risk of electric shock. Check with a qualified electrician if you are in doubt as to whether the product is properly grounded. Do not modify the plug provided with the product. If it will not fit the outlet, have a proper outlet installed by a qualified electrician. This product must be grounded. If it should malfunction or breakdown, proper grounding provides a path of least resistance for electric current to flow and reduces the risk of electric shock. This product is equipped with a cord having an equipment-grounding conductor and a grounding plug. The plug must be inserted into an appropriate outlet that is properly installed and grounded in accordance with all local codes and ordinances. This fireplace is for use on 120 volt circuits and has a grounded plug. An adapter is available for connecting three-blade grounding type plugs to two-slot receptacles. The green grounding lug extending from the adapter must be connected to a permanent ground such as a properly grounded outlet box. The adapter should not be used if a three-slot grounded receptacle is available.



⚠ WARNING: Procedures and techniques which, if not carefully followed, will expose the user to the risk of fire, serious injury, illness or death.

📌 NOTE: Procedures and techniques that are considered important enough to emphasize.

⚠ CAUTION: Procedures and techniques which, if not carefully followed, will result in damage to the equipment.

Important Safety Instructions

English

FCC Statement

This equipment has been tested and found to comply with the limits for a Class B digital device, pursuant to Part 15 of the FCC Rules.

These limits are designed to provide reasonable protection against harmful interference in a residential installation. This equipment generates, uses, and can radiate radio frequency energy and, if not installed and used in accordance with the instructions, may cause harmful interference to radio communications. However, there is no guarantee that interference will not occur in a particular installation.

This device complies with Part 15 of the FCC Rules. Operation is subject to the following two conditions:

- (1) This device may not cause harmful interference, and
- (2) This device must accept any interference received, including interference that may cause undesired operation.

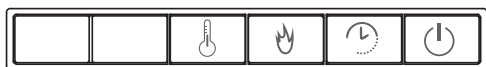
Modifications not approved by the party responsible for compliance could void user's authority to operate the equipment.

This Class B digital apparatus complies with Canadian ICES-006.

Save these instructions for future reference

Function Overview

Control Panel



| Item | Function |
|------|--|
| | <ul style="list-style-type: none"> • Turn on/off the fireplace. • When fireplace is turning on, keep pressing for five seconds to toggle between °C and °F, and the LED will flash. |
| | Sets the timer of heating. |
| | <ul style="list-style-type: none"> • Controls the interior brightness level of the fireplace. • For model FF23SC15A-BL, FF23SC15A-SS, FF30SC15A-BL, FF30SC15A-SS, FF34SC15A-BL, FF34SC15A-SS, FF40SC15A-BL, FF40SC15A-SS, FF48SC15A-BL, FF48SC15A-SS, FF60SC15A-BL and FF60SC15A-SS, it is used to control the flame color and interior brightness level of the fireplace. |
| | <ul style="list-style-type: none"> • Controls the temperature output mode. • When fireplace is turning on, keep pressing for five seconds to select the desired temperature setting. |

Remote Control



| Item | Function |
|------|--|
| | <ul style="list-style-type: none"> • Turn on/off the fireplace. • When fireplace is turning on, keep pressing for five seconds to toggle between °C and °F, and the LED will flash. |
| | Sets the timer of heating. |
| | <ul style="list-style-type: none"> • Controls the interior brightness level of the fireplace. • For model FF23SC15A-BL, FF23SC15A-SS, FF30SC15A-BL, FF30SC15A-SS, FF34SC15A-BL, FF34SC15A-SS, FF40SC15A-BL, FF40SC15A-SS, FF48SC15A-BL, FF48SC15A-SS, FF60SC15A-BL and FF60SC15A-SS, it is used to control the flame color and interior brightness level of the fireplace. |
| | <ul style="list-style-type: none"> • Controls the temperature output mode. • When fireplace is turning on, keep pressing for five seconds to select the desired temperature setting. |
| | Decrease the heat output. |
| | Increase the heat input. |

Installation

English

IMPORTANT: Failure to install the built-in electric fireplace as instructed below may result in damage to the equipment and/or may expose the user to the risk of fire, serious injury, illness or death.

What's in the box

Make sure all the following items are included in the packaging. If any item is damaged or missing, contact your dealer.

- Fireplace Main Body
- 4 Mounting Screws
- Remote Control
- Instruction Manual
- Warranty Card
- Slide Out Wiring Diagram

Wall-mount Installation (Flush-mounted)

1. Select a suitable location that is not susceptible to moisture.
2. Mark and cut an opening in the cabinet according to the dimensions outlined in Fig. 1.

Cabinet Cutout Dimensions

| Model | A | B | C | D | E |
|----------------------|------------------------------------|------------------------------------|-----------------------------------|----|---------------------------------------|
| 23" Series Fireplace | 24 ⁹ / ₁₆ " | 17 ¹³ / ₁₆ " | 21 ¹ / ₄ " | 2" | 7 ³ / ₁₆ " Min. |
| 30" Series Fireplace | 29 ⁵ / ₁₆ " | 17 ¹³ / ₁₆ " | 26 ¹ / ₄ " | 2" | 7 ³ / ₁₆ " Min. |
| 34" Series Fireplace | 33 ³ / ₁₆ " | 17 ¹³ / ₁₆ " | 30 ⁵ / ₁₆ " | 2" | 7 ³ / ₁₆ " Min. |
| 40" Series Fireplace | 38 ¹¹ / ₁₆ " | 17 ¹³ / ₁₆ " | 35 ⁷ / ₁₆ " | 2" | 7 ³ / ₁₆ " Min. |
| 48" Series Fireplace | 47 ¹¹ / ₁₆ " | 17 ¹³ / ₁₆ " | 44 ¹ / ₄ " | 2" | 7 ³ / ₁₆ " Min. |
| 60" Series Fireplace | 59 ³ / ₈ " | 17 ¹³ / ₁₆ " | 56 ³ / ₁₆ " | 2" | 7 ³ / ₁₆ " Min. |

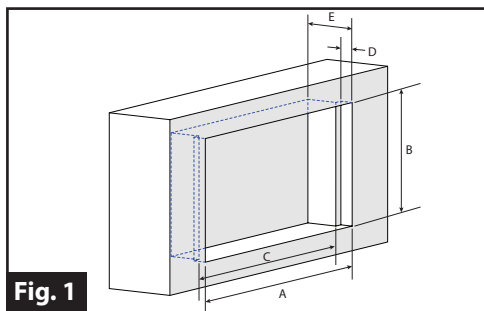


Fig. 1

NOTE: If wood thickness is under 1/2", it is recommended to add a support base under the fireplace in the cabinet.

3. Ensure the cabinet area is free of dust and debris, remove fireplace carefully from carton and discard the plastic and foam packaging.
4. Lift to remove the glass cover from unit and set aside. (Fig. 2)

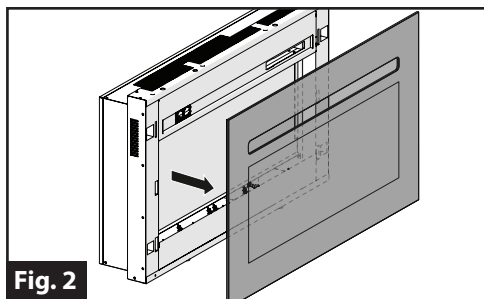


Fig. 2

5. Install the fireplace into the cut out area and secure with 4 mounting screws supplied. (Fig. 3)

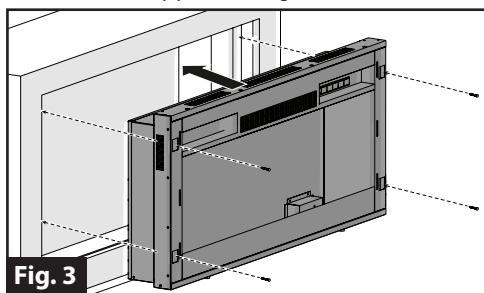
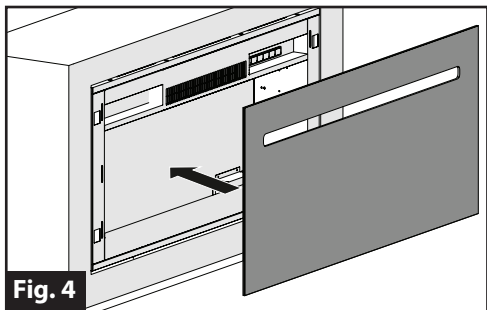


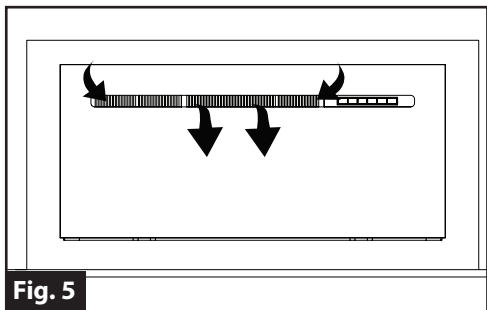
Fig. 3

Installation

- Align the six tabs on back of the glass cover with the slots on the fireplace and reattach the glass cover to the fireplace. (Fig. 4)



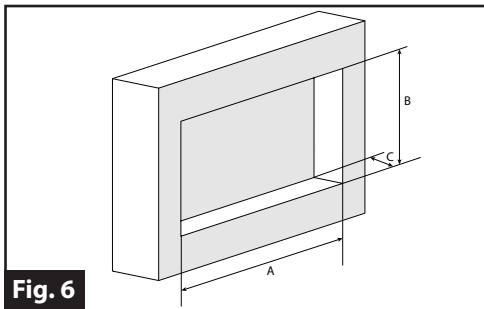
- Do not block the ventilation areas. (Fig. 5)



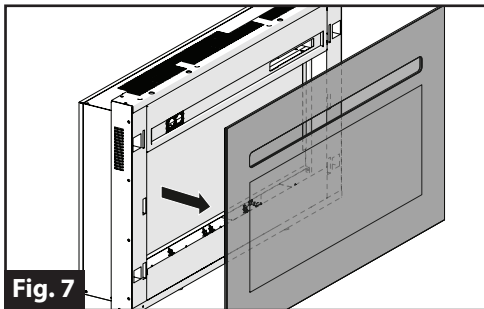
Wall-mount Installation (Half Flush-mounted)

- Select a suitable location that is not susceptible to moisture.
- Mark and cut an opening in the cabinet according to the dimensions outlined in Fig. 6.

| Cabinet Cutout Dimensions | | | |
|---------------------------|---------------------|--------------------|----|
| Model | A | B | C |
| 23" Series Fireplace | 21 $\frac{1}{4}$ " | 16 $\frac{1}{4}$ " | 5" |
| 30" Series Fireplace | 26 $\frac{1}{4}$ " | 16 $\frac{1}{4}$ " | 5" |
| 34" Series Fireplace | 30 $\frac{1}{16}$ " | 16 $\frac{1}{4}$ " | 5" |
| 40" Series Fireplace | 35 $\frac{1}{16}$ " | 16 $\frac{1}{4}$ " | 5" |
| 48" Series Fireplace | 44 $\frac{1}{2}$ " | 16 $\frac{1}{4}$ " | 5" |
| 60" Series Fireplace | 56 $\frac{3}{16}$ " | 16 $\frac{1}{4}$ " | 5" |



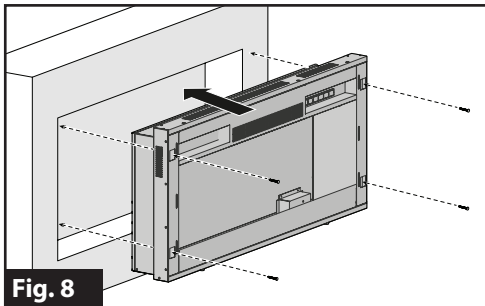
- Ensure the cabinet area is free of dust and debris, remove fireplace carefully from carton and discard the plastic and foam packaging.
- Lift to remove the glass cover from unit and set aside. (Fig. 7)



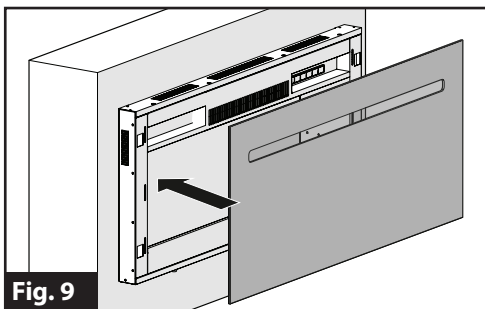
Installation

English

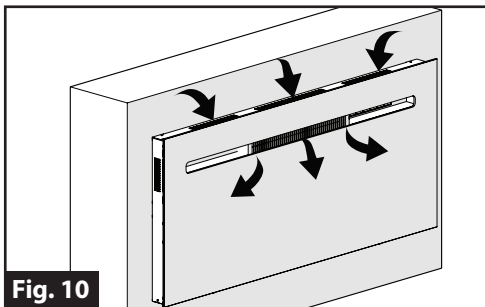
5. Install the fireplace into the cut out area and secure with 4 mounting screws supplied. (Fig. 8)



6. Align the six tabs on back of the glass cover with the slots on the fireplace and reattach the glass cover to the fireplace. (Fig. 9)



7. Do not block the ventilation areas. (Fig. 10)



Residential Installation

CAUTION: When installing this fireplace in residential applications, ensure to leave 3 feet minimum from any object.

RV Installation

WARNING: When installing this fireplace in RV applications, ensure hot air will not directly blow onto soft furnishings or combustible materials during operation. For fireplace installation in RV slide out wall, we recommend you connect the slide out safety cut off wires to the slide out 12V DC activation system. This system will prevent operation while traveling and in storage mode. Do not operate the fireplace when slide out is in the stowed position.

NOTE: This fireplace is fitted with a proximity sensor and thermal cutoff for your safety. When fireplace is in operation and objects are placed within 6 inches or less the fireplace will automatically shut off and a red LED will flash. Remove the object and cycle the fireplace power switch to reset. Check for interference from other electrical product remotes that may affect fireplace operations.

Do not install the fireplace insert directly on carpet or similar surfaces which may restrict airflow.

CAUTION: If installing the fireplace in a carpeted area, place a one-piece solid, flat surface under the fireplace.


Operation

! NOTE: For your safety, this fireplace is equipped with a proximity sensor device. When objects are detected within six inches, the fireplace will automatically cut out and a red LED will flash. The fireplace will not come back on without being reset.



Remove the marketing sticker from the front glass and the protective film before use. Operation of the unit without complete removal of the protective film may increase the risk of fire and/or product damage or injury.



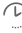
To Turn On/Off

Press  on control panel or on the remote control to turn on/off the fireplace.

To Adjust the Temperature

Press  on the remote control to increase the heat input, press  to decrease the heat output.

Timer Setting

Press  on control panel or on the remote control will allow you to set the timer of heating. You may set the time from 30 minutes to 5 hours.


Interior Brightness Control


Press  button on control panel or on


the remote control to select the desired brightness levels.

- For FF23SC15A-BL, FF23SC15A-SS, FF30SC15A-BL, FF30SC15A-SS, FF34SC15A-BL, FF34SC15A-SS, FF40SC15A-BL, FF40SC15A-SS, FF48SC15A-BL, FF48SC15A-SS, FF60SC15A-BL and FF60SC15A-SS models, press  button on control panel or on the remote control to select the desired flame color of **Orange**, **Blue** or **Red**. Press and hold for three seconds to show the brightness levels of **L4**, **L3**, **L2** and **L1** in sequence and release to select the desired.
- For FF23SW15A-BL, FF30SW15A-BL, FF34SW15A-BL, FF40SW15A-BL, FF48SW15A-BL, FF60SW15A-BL, FF23SW15A-SS, FF30SW15A-SS, FF34SW15A-SS, FF40SW15A-SS, FF48SW15A-SS, FF60SW15A-SS models, press  button on control panel or on the remote control to choose the brightness levels of **L4**, **L3**, **L2** or **L1**.

Thermostat Control

Press  button on control panel or on the remote control to adjust the temperature to your individual requirements.

- Press once to activate the low heat setting.
- Press twice to select the high heat setting.
- Press the button a third time to turn off the fireplace.
- When the fireplace is turning on, press  button for five seconds to allow you to select the desired temperature settings.

! NOTE: When the fireplace is turning on, press  button for five seconds will toggle between °C and °F.

Care and Maintenance

⚠ WARNING

- Always disconnect the fireplace from the main power supply before performing any routine maintenance.
- Always utilize a qualified technician if assistance is required.
- Always install genuine Furrion replacement parts, which are available from your authorized dealer.

Glass Cleaning

⚠ CAUTION

GLASS INFORMATION

- Never strike or slam the glass.
- Never use abrasive cleaners to clean the glass.
- Never attempt to operate this fireplace if any glass component is broken.
- Always utilize a qualified service technician to replace broken glass components and always install genuine Furrion tempered glass replacements, which are available from your authorized dealer.

The glass is cleaned in the factory during the assembly operation. The clear door may collect dust particles during shipment, installation or handling, these can be removed by dusting lightly with a clean dry cloth.

To remove fingerprints or other marks, the clear door can be cleaned with a damp cloth. The clear door should be completely dried with a lint free cloth to prevent water spots. To prevent scratching, do not use abrasive cleaners or spray liquids on the clear door surface.

Fireplace Surface Cleaning

Metal painted parts may be cleaned using a clean, damp cloth. Never use any abrasive cleaners and chemical agents as these may damage the paint finish. Cleaning of the screen diffuser is to be done using only water and a lint free cloth. DO NOT use any abrasive household cleaners as these products will damage the diffusing screen.

Servicing

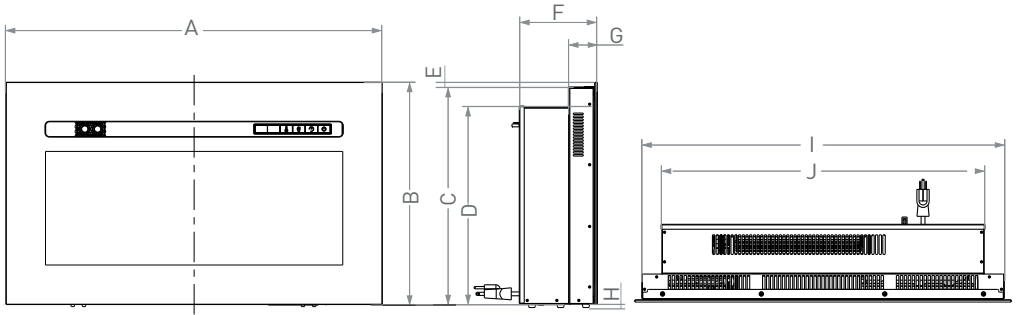
The motors used on the fan heater and flame blower are pre-lubricated for extended bearing life and require no further lubrication. However, periodic cleaning/vacuuming of the appliance and around the air intake and exhaust is recommended.

Troubleshooting

| Problem | Root Cause | Corrective Action |
|---|---|---|
| Display shows "EE" | The thermostat sensor is broken or disconnected. | Unplug the fireplace and remove the back panel. Check that the thermostat is plugged into the main circuit board. If this does not solve the problem, contact customer service for a replacement thermostat sensor. |
| Display shows "88" | Manual reset overheat protection has triggered. | Inspect the fireplace and check that the air inlets and outlets are not blocked as this may cause overheating. |
| Fireplace does not blow warm air. | Cool down cycle | Normal operation will continue for 30 seconds before shutting down. |
| | Thermostat setting is preventing the fireplace from turning on. | Adjust the temperature setting to ensure that the thermostat is set higher than the current room temperature. |
| The RED LED is blinking constantly and the blower motor does not start. | Proximity switch cut off | Ensure there are no obstructions within a minimum distance of 6 inches from the air vents. Press the Power button to restart the fireplace. |
| The fireplace turns off automatically. | The slide out moves and activates the safety cut off. | Do not use the fireplace if the slide out is not in the fully extended position. |
| Remote control is not working | Weak or defective batteries | Replace the remote batteries. |
| | Poor signal | Press the remote control buttons with an even motion and gentle pressure. Repeatedly pressing buttons in rapid succession may cause the remote to malfunction. |
| | Distance | Operate the remote at a distance less than 20 feet from the front of the fireplace. Point the remote at the control panel. |

Specifications

English



Technical Specifications

Product Dimensions

| Model | A | B | C | D | E | F | G | H | I | J |
|-----------------------------|---|---|---|---|--|---|---|---|--|---|
| 23" Series Fireplace | 25" (635mm) | 17 ³ / ₄ " (450mm) | 17 ³ / ₈ " (439.5mm) | 15 ¹⁹ / ₁₆ " (400.9mm) | 7 ¹ / ₁₆ " (10.5mm) | 6 ⁵ / ₁₆ " (161mm) | 2 ¹⁵ / ₁₆ " (58.4mm) | 5 ¹ / ₁₆ " (7mm) | 23 ¹⁵ / ₁₆ " (607.2mm) | 20 ¹ / ₁₆ " (528.5mm) |
| 30" Series Fireplace | 29 ¹⁵ / ₁₆ " (760mm) | 17 ³ / ₄ " (450mm) | 17 ³ / ₈ " (439.5mm) | 15 ¹⁹ / ₁₆ " (400.9mm) | 7 ¹ / ₁₆ " (10.5mm) | 6 ⁵ / ₁₆ " (161mm) | 2 ¹⁵ / ₁₆ " (58.4mm) | 5 ¹ / ₁₆ " (7mm) | 28 ¹⁹ / ₁₆ " (734.2mm) | 25 ⁵ / ₁₆ " (655.5mm) |
| 34" Series Fireplace | 33 ⁷ / ₈ " (860mm) | 17 ³ / ₄ " (450mm) | 17 ³ / ₈ " (439.5mm) | 15 ¹⁹ / ₁₆ " (400.9mm) | 7 ¹ / ₁₆ " (10.5mm) | 6 ⁵ / ₁₆ " (161mm) | 2 ¹⁵ / ₁₆ " (58.4mm) | 5 ¹ / ₁₆ " (7mm) | 32 ¹⁹ / ₁₆ " (832.2mm) | 29 ¹ / ₁₆ " (753.5mm) |
| 40" Series Fireplace | 39 ⁷ / ₈ " (1001mm) | 17 ³ / ₄ " (450mm) | 17 ³ / ₈ " (439.5mm) | 15 ¹⁹ / ₁₆ " (400.9mm) | 7 ¹ / ₁₆ " (10.5mm) | 6 ⁵ / ₁₆ " (161mm) | 2 ¹⁵ / ₁₆ " (58.4mm) | 5 ¹ / ₁₆ " (7mm) | 38 ⁵ / ₁₆ " (972.2mm) | 35 ³ / ₈ " (893.5mm) |
| 48" Series Fireplace | 48" (1219mm) | 17 ³ / ₄ " (450mm) | 17 ³ / ₈ " (439.5mm) | 15 ¹⁹ / ₁₆ " (400.9mm) | 7 ¹ / ₁₆ " (10.5mm) | 6 ⁵ / ₁₆ " (161mm) | 2 ¹⁵ / ₁₆ " (58.4mm) | 5 ¹ / ₁₆ " (7mm) | 46 ⁷ / ₈ " (1191.2mm) | 43 ³ / ₄ " (1112.5mm) |
| 60" Series Fireplace | 60" (1524mm) | 17 ³ / ₄ " (450mm) | 17 ³ / ₈ " (439.5mm) | 15 ¹⁹ / ₁₆ " (400.9mm) | 7 ¹ / ₁₆ " (10.5mm) | 6 ⁵ / ₁₆ " (161mm) | 2 ¹⁵ / ₁₆ " (58.4mm) | 5 ¹ / ₁₆ " (7mm) | 58 ¹⁵ / ₁₆ " (1496.2mm) | 55 ¹ / ₁₆ " (1417.5mm) |
| Framing Dimensions | Refer to "Wall-mount Installation" section on Page 7 and Page 8 | | | | | | | | | |
| Electrical | 12A @ 120V ac | | | | | | | | | |
| Safety Requirements | UL 2021 and CSA 22.2 No.46 | | | | | | | | | |
| Operation | Flame only - flame and heat | | | | | | | | | |
| Control Options | Remote Control | | | | | | | | | |
| | Control Panel | | | | | | | | | |
| Installation Type | Flush-mounted installation or half flush-mounted installation | | | | | | | | | |
| Heating Area | 500 sq. ft | | | | | | | | | |

Bienvenue

Nous vous remercions d'avoir acheté le foyer électrique encastré Furrion® de 1465W (5000BTU). Avant d'utiliser votre nouveau produit, veuillez lire ces instructions attentivement. Vous serez ainsi assuré d'utiliser ce produit de manière sécuritaire tout en réduisant les risques de blessures. Ce manuel d'instructions contient des renseignements portant sur l'installation, l'entretien du produit et son utilisation sécuritaire.

Veuillez conserver ces instructions en lieu sûr pour pouvoir les consulter ultérieurement. N'oubliez pas de remettre ce manuel à tout nouveau propriétaire de ce produit.

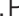
Le fabricant n'accepte aucune responsabilité quant aux dommages causés à la suite du non-respect de ces instructions.

Contenu

| | |
|--|-----------|
| Bienvenue | 14 |
| Contenu | 15 |
| Consignes de sécurité importantes | 16 |
| Instructions de mise à la terre | 17 |
| Déclaration de la FCC | 18 |
| Aperçu des fonctions | 19 |
| Panneau de commande | 19 |
| Télécommande..... | 19 |
| Installation | 20 |
| Contenu de la boîte | 20 |
| Installation murale (encastrée) | 20 |
| Installation murale (demi-encastrée)..... | 21 |
| Installation résidentielle | 22 |
| Installation dans un VR | 22 |
| Fonctionnement | 23 |
| Autocollant de marketing..... | 23 |
| Réglage de la température | 23 |
| Réglage de la minuterie..... | 24 |
| Réglage de la luminosité intérieure | 24 |
| Réglage du thermostat | 24 |
| Soin et entretien | 25 |
| Nettoyage de la vitre | 25 |
| Nettoyage de la surface du foyer | 25 |
| Entretien..... | 25 |
| Dépannage | 26 |
| Caractéristiques | 27 |

Consignes de sécurité importantes

Lors de l'utilisation d'appareils électriques, toujours respecter les précautions élémentaires pour réduire les risques d'incendie, d'électrocution et de blessures corporelles, notamment :

1. Lire toutes les instructions avant d'utiliser cet appareil.
2. Ce foyer est chaud lorsqu'il est en fonction. Pour éviter les brûlures, ne touchez pas aux surfaces chaudes. La garniture autour de la sortie du foyer devient chaude lorsque l'appareil fonctionne.
3. Faites très attention lorsque vous utilisez le foyer en présence d'enfants ou si vous le laissez fonctionner sans surveillance.
4. Les enfants doivent être sous surveillance afin d'assurer qu'ils ne jouent pas avec l'appareil.
5. L'appareil n'est pas destiné à être utilisé sans supervision par de jeunes enfants ou des personnes infirmes.
6. Si le cordon d'alimentation est endommagé, faites-le remplacer par le fabricant ou son agent autorisé, ou par une personne qualifiée.
7. Ne pas utiliser une unité si le cordon ou la prise est endommagé, si l'appareil a fait défaut ou s'il a été échappé ou endommagé de quelque manière que ce soit.
8. Ne pas utiliser à l'extérieur.
9. Ne jamais placer le foyer à un endroit où il pourrait tomber dans une baignoire ou un autre contenant d'eau.
10. Ne pas acheminer le cordon sous une moquette. Ne pas couvrir le cordon avec des carpettes, des passages, etc. Ne pas placer le cordon dans une zone passante, là où il pourrait créer un risque de trébuchement.
11. Ne pas placer la chaufferette directement sous une prise de courant fixe.
12. Pour débrancher le foyer, appuyez sur le bouton , assurez-vous que le foyer n'est pas en fonction, puis débranchez-le de la prise murale.
13. Ne pas insérer ou permettre à des corps étrangers de pénétrer dans une ouverture de ventilation ou d'évacuation, car cela pourrait poser un risque d'électrocution ou d'incendie, ou endommager la chaufferette.
14. Ne pas bloquer l'entrée d'air ou l'échappement. Ne pas utiliser sur des surfaces molles, comme un lit, où les ouvertures peuvent se bloquer.
15. Tous les appareils de chauffage électriques possèdent des pièces chaudes ou créant des étincelles à l'intérieur. Ne pas utiliser dans des endroits où sont utilisés ou entreposés l'essence, la peinture ou des liquides inflammables ni là où l'appareil sera exposé à des vapeurs inflammables.
16. Ne pas modifier le foyer électrique. L'utiliser uniquement comme décrit dans ce manuel. Toute autre utilisation non recommandée par le fabricant peut provoquer un incendie, une électrocution ou des blessures corporelles.

Consignes de sécurité importantes

17. Éviter d'utiliser une rallonge. Les rallonges peuvent surchauffer et provoquer un risque d'incendie. Si vous devez utiliser une rallonge, le cordon doit être d'une taille minimale de 14 AWG et d'une capacité minimale de 1875 watts.
18. Ne pas brûler de bois ou d'autres matériaux dans le foyer électrique.
19. Ne pas frapper la vitre du foyer.
20. Toujours recourir aux services d'un électricien certifié si de nouveaux circuits ou de nouvelles prises sont nécessaires.
21. Toujours utiliser des prises polarisées, mises à la terre et protégées par fusible.
22. Débrancher l'alimentation avant d'effectuer le nettoyage, l'entretien ou le déplacement de l'unité.
23. Lors du transport ou du stockage de l'unité et du cordon, les conserver dans un endroit sec, à l'abri des vibrations excessives et de façon à éviter tout dommage.

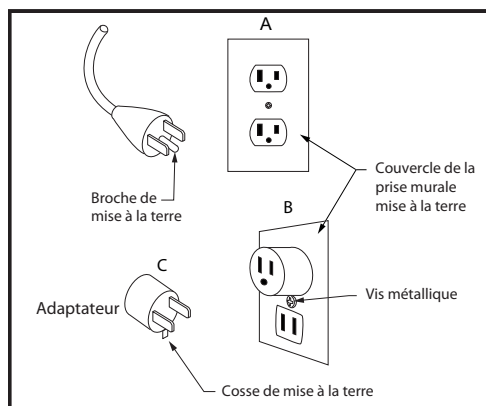
cas de dysfonctionnement ou de panne, une mise à la terre appropriée fournit un chemin de moindre résistance au courant électrique et réduit le risque d'électrocution. Ce produit est équipé d'un cordon comportant un conducteur de mise à la terre de l'équipement et une fiche de mise à la terre. La fiche doit être insérée dans une prise appropriée correctement installée et mise à la terre conformément à tous les codes et règlements locaux.

Ce foyer convient aux circuits de 120 volts et possède une fiche avec mise à la terre. Un adaptateur est disponible pour brancher des fiches de mise à la terre à trois lames à des prises à deux fentes. La cosse de mise à la terre verte de l'adaptateur doit être raccordée à une mise à la terre permanente, comme une boîte de sortie correctement mise à la terre.

L'adaptateur ne doit pas être utilisé si une prise mise à la terre à trois fentes est disponible.

Instructions de mise à la terre

DANGER : Un mauvais raccordement du conducteur de mise à la terre de l'équipement peut entraîner un risque d'électrocution. Vérifiez auprès d'un électricien qualifié si vous avez des doutes quant à savoir si le produit est correctement mis à la terre. Ne modifiez pas la fiche fournie avec le produit. Si elle ne convient pas à la prise, faites installer une prise adéquate par un électricien qualifié. Ce produit doit être mis à la terre. En



Consignes de sécurité importantes

⚠ AVERTISSEMENT : Procédures et techniques qui, si elles ne sont pas suivies attentivement, exposeront l'utilisateur à un risque d'incendie, de blessure grave, de maladie ou de mort.

❗ REMARQUE : Procédures et techniques considérées comme suffisamment importantes pour les souligner.

⚠ MISE EN GARDE : Procédures et techniques qui, si elles ne sont pas suivies attentivement, entraîneront des dommages à l'équipement.

Déclaration de la FCC

Cet équipement a été testé et déclaré conforme aux limitations d'un appareil numérique de classe B, conformément à la partie 15 des règles de la FCC. Ces limitations sont conçues pour fournir une protection raisonnable contre les interférences nuisibles dans une installation résidentielle. Cet équipement génère, utilise et peut émettre des radiofréquences et, s'il n'est pas installé et utilisé conformément aux instructions, peut causer des interférences nuisibles aux communications radio. Cependant, il n'est pas garanti que des interférences ne se produiront pas dans une installation particulière.

Cet appareil est conforme à la partie 15 des règles de la FCC. Son utilisation est soumise aux deux conditions suivantes :

- (1) Cet appareil ne peut pas causer d'interférences nuisibles, et
- (2) Cet appareil doit accepter toute interférence reçue, y compris les interférences susceptibles de provoquer un fonctionnement indésirable.

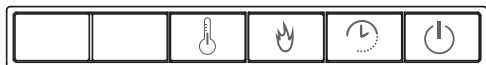
Les modifications non approuvées par la partie responsable de la conformité pourraient annuler le droit d'utilisation de l'équipement par l'utilisateur.

Cet appareil numérique de classe B est conforme à la norme ICES-006 du Canada.

Conservez ces instructions pour référence future

Aperçu des fonctions

Panneau de commande



| Article | Fonctions |
|---------|--|
| | <ul style="list-style-type: none"> • Marche/arrêt du foyer. • Lorsque le foyer s'allume, maintenez la touche enfoncée pendant cinq secondes pour alterner entre les unités °C et °F; la DEL clignotera. |
| | Règle la minuterie de chauffage. |
| | <ul style="list-style-type: none"> • Contrôle le niveau de luminosité intérieure du foyer. • Pour les modèles FF23SC15A-BL, FF23SC15A-SS, FF30SC15A-BL, FF30SC15A-SS, FF34SC15A-BL, FF34SC15A-SS, FF40SC15A-BL, FF40SC15A-SS, FF48SC15A-BL, FF48SC15A-SS, FF60SC15A-BL et FF60SC15A-SS, cette touche sert à contrôler la couleur de la flamme et le niveau de luminosité interne du foyer. |
| | <ul style="list-style-type: none"> • Contrôle le mode d'affichage de la température. • Lorsque le foyer s'allume, maintenez la touche enfoncée pendant cinq secondes pour sélectionner le réglage de température désiré. |

Télécommande



| Article | Fonctions |
|---------|--|
| | <ul style="list-style-type: none"> • Marche/arrêt du foyer. • Lorsque le foyer s'allume, maintenez la touche enfoncée pendant cinq secondes pour alterner entre les unités °C et °F; la DEL clignotera. |
| | Règle la minuterie de chauffage. |
| | <ul style="list-style-type: none"> • Contrôle le niveau de luminosité intérieure du foyer. • Pour les modèles FF23SC15A-BL, FF23SC15A-SS, FF30SC15A-BL, FF30SC15A-SS, FF34SC15A-BL, FF34SC15A-SS, FF40SC15A-BL, FF40SC15A-SS, FF48SC15A-BL, FF48SC15A-SS, FF60SC15A-BL et FF60SC15A-SS, cette touche sert à contrôler la couleur de la flamme et le niveau de luminosité interne du foyer. |
| | <ul style="list-style-type: none"> • Contrôle le mode d'affichage de la température. • Lorsque le foyer s'allume, maintenez la touche enfoncée pendant cinq secondes pour sélectionner le réglage de température désiré. |
| | Réduire l'intensité de chaleur. |
| | Augmenter l'intensité de chaleur. |

Installation

IMPORTANT : Ne pas installer le foyer électrique encastré comme indiqué ci-dessous peut endommager l'équipement et/ou exposer l'utilisateur à un risque d'incendie, de blessure grave, de maladie ou de mort.

Contenu de la boîte

Assurez-vous que tous les éléments suivants sont inclus dans l'emballage. Si un article est endommagé ou manquant, contactez votre revendeur.

- Corps principal du foyer
- 4 vis de montage
- Télécommande
- Manuel d'instructions x 1
- Carte de garantie x 1
- Schéma de câblage coulissant

Installation murale (encastrée)

1. Choisissez un endroit approprié qui n'est pas soumis à l'humidité.
2. Marquez et coupez une ouverture dans l'armoire en respectant les dimensions de la Fig. 1.

Dimensions de découpe de l'armoire

| Modèle | A | B | C | D | E |
|--------------------------|------------------------------------|-----------------------------------|-----------------------------------|----|---------------------------------------|
| Foyer de la série 23 po | 24 ³ / ₁₆ " | 17 ¹ / ₁₆ " | 21 ¹ / ₄ " | 2" | 7 ³ / ₁₆ " Min. |
| Foyer de la série 30 po | 29 ⁹ / ₁₆ " | 17 ¹ / ₁₆ " | 26 ¹ / ₄ " | 2" | 7 ³ / ₁₆ " Min. |
| Foyer de la série 304 po | 33 ³ / ₁₆ " | 17 ¹ / ₁₆ " | 30 ⁷ / ₁₆ " | 2" | 7 ³ / ₁₆ " Min. |
| Foyer de la série 40 po | 38 ¹¹ / ₁₆ " | 17 ¹ / ₁₆ " | 35 ⁷ / ₁₆ " | 2" | 7 ³ / ₁₆ " Min. |
| Foyer de la série 48 po | 47 ¹¹ / ₁₆ " | 17 ¹ / ₁₆ " | 44 ¹ / ₄ " | 2" | 7 ³ / ₁₆ " Min. |
| Foyer de la série 60 po | 59 ³ / ₈ " | 17 ¹ / ₁₆ " | 56 ³ / ₁₆ " | 2" | 7 ³ / ₁₆ " Min. |

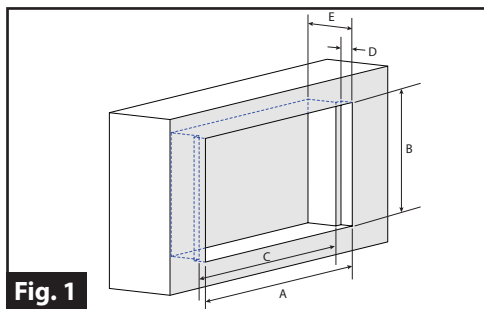


Fig. 1

REMARQUE : Si l'épaisseur du bois est inférieure à 1/2 po, il est recommandé d'ajouter une base de support sous le foyer dans l'armoire.

3. Assurez-vous que la zone de l'armoire est exempte de poussière et de débris, retirez soigneusement le foyer du carton et jetez l'emballage en plastique et en mousse.
4. Soulevez le couvercle en verre de l'unité pour le retirer, puis mettez-le de côté. (Fig. 2)

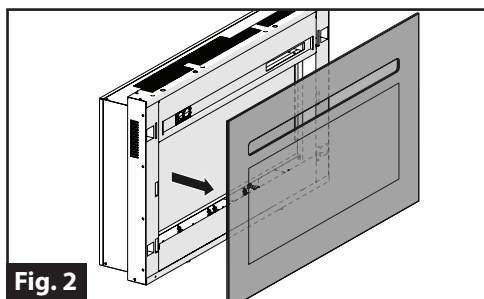
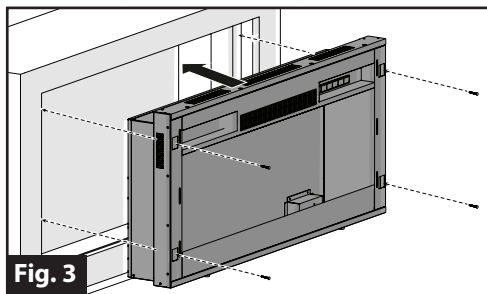


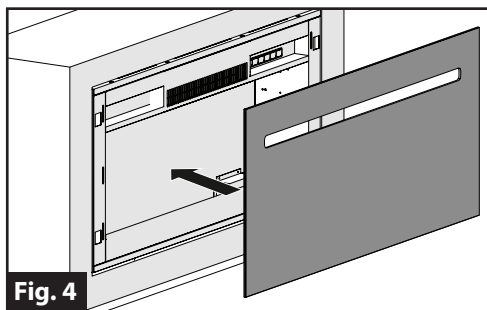
Fig. 2

Installation

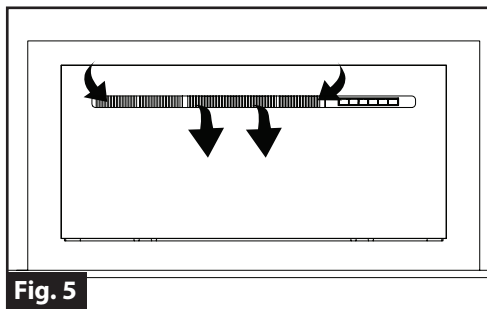
5. Installez le foyer dans la zone découpée et fixez-le avec les 4 vis de montage fournies. (Fig. 3)



6. Alignez les six languettes à l'arrière du couvercle en verre avec les fentes du foyer et remettez le couvercle en verre sur le foyer. (Fig. 4)



7. Ne bloquez pas les zones de ventilation. (Fig. 5)

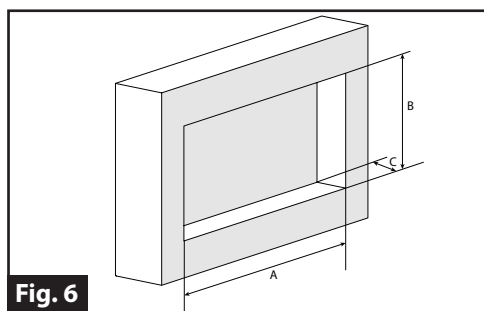


Installation murale (demi-encastrée)

8. Choisissez un endroit approprié qui n'est pas soumis à l'humidité.
9. Marquez et coupez une ouverture dans l'armoire en respectant les dimensions de la Fig. 6.

Dimensions de découpe de l'armoire

| Modèle | A | B | C |
|-------------------------|------|------|----|
| Foyer de la série 23 po | 21¼" | 16¼" | 5" |
| Foyer de la série 30 po | 26¼" | 16¼" | 5" |
| Foyer de la série 34 po | 30¾" | 16¼" | 5" |
| Foyer de la série 40 po | 35¾" | 16¼" | 5" |
| Foyer de la série 48 po | 44¼" | 16¼" | 5" |
| Foyer de la série 60 po | 56¾" | 16¼" | 5" |



10. Assurez-vous que la zone de l'armoire est exempte de poussière et de débris, retirez soigneusement le foyer du carton et jetez l'emballage en plastique et en mousse.
11. Soulevez le couvercle en verre de l'unité pour le retirer, puis mettez-le de côté. (Fig. 7)

Installation

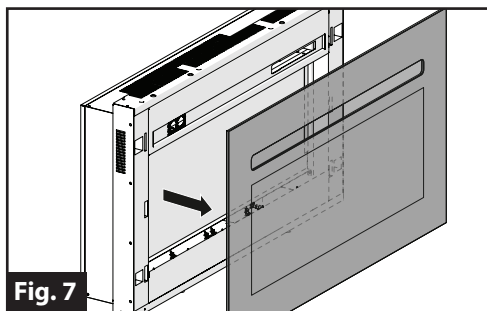


Fig. 7

12. Installez le foyer dans la zone découpée et fixez-le avec les 4 vis de montage fournies. (Fig. 8)

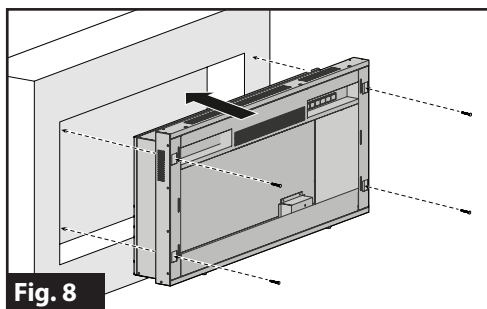


Fig. 8

13. Alignez les six languettes à l'arrière du couvercle en verre avec les fentes du foyer et remettez le couvercle en verre sur le foyer. (Fig. 9)

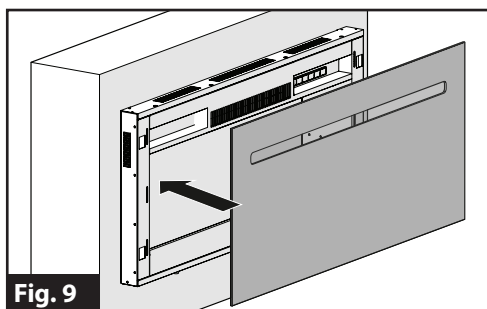


Fig. 9

14. Ne bloquez pas les zones de ventilation. (Fig. 10)

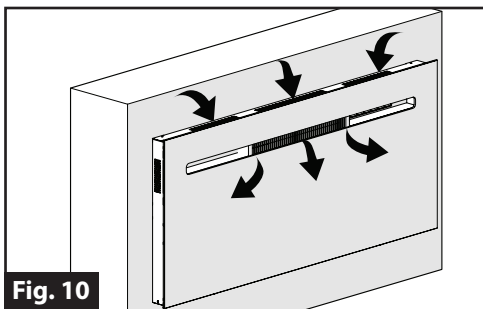


Fig. 10

Français

Installation résidentielle

MISE EN GARDE : Lors de l'installation de ce foyer dans des applications résidentielles, assurez-vous de ne pas le placer à moins de trois pieds de tout objet.

Installation dans un VR

AVERTISSEMENT : Lors de l'installation de ce foyer dans un VR, assurez-vous que l'air chaud ne soufflera pas directement sur des tissus d'ameublement ou des matériaux combustibles pendant son fonctionnement. Pour l'installation du foyer dans un mur coulissant du VR, nous vous recommandons de raccorder les fils de coupure de sécurité au système d'activation coulissant 12 V CC. Ce système empêchera le fonctionnement pendant les déplacements et l'entreposage. Ne faites pas fonctionner le foyer lorsque la section coulissante est fermée.

Installation

REMARQUE : Pour assurer votre sécurité, ce foyer est équipé d'un capteur de proximité et d'une protection thermique. Lorsque le foyer est en marche et que des objets sont placés à moins de 6 pouces du foyer, celui-ci s'éteint automatiquement et une DEL rouge clignote. Retirez l'objet et faites basculer l'interrupteur d'alimentation du foyer pour le redémarrer. Vérifiez s'il y a des interférences provenant d'autres télécommandes de produits électriques susceptibles de nuire au fonctionnement du foyer.

N'installez pas le foyer directement sur un tapis ou sur des surfaces semblables pouvant obstruer la circulation de l'air.

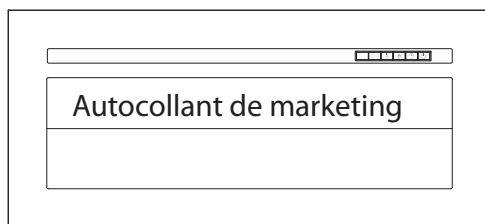
MISE EN GARDE : Si vous installez le foyer dans une zone recouverte d'une moquette, placez une surface solide et plate d'une seule pièce sous le foyer.

MISE EN GARDE : Le dégagement pour la circulation de l'air est situé sur le dessus du foyer. Assurez-vous que cet espace est libre d'obstruction.


Fonctionnement

! REMARQUE : Pour votre sécurité, ce foyer est équipé d'un capteur de proximité. Lorsque des objets sont détectés dans un rayon de six pouces, le foyer se ferme automatiquement et une DEL rouge clignote. Vous devez réinitialiser le foyer pour le remettre en marche.



Retirez l'autocollant de marketing de la vitre frontale et le film de protection avant l'utilisation. Le fonctionnement de l'unité sans retrait complet du film protecteur peut augmenter le risque d'incendie et/ou d'endommagement du produit ou de blessure.



Autocollant de marketing


Appuyez sur la touche  du panneau de commande ou de la télécommande pour mettre en marche/arrêter le foyer.

Réglage de la température


Appuyez sur la touche  de la télécommande pour augmenter l'apport de chaleur; appuyez sur la touche  pour le réduire.



Fonctionnement

Réglage de la minuterie


Appuyez sur la touche  du panneau de commande ou de la télécommande pour régler la minuterie de chauffage. Vous pouvez régler la minuterie de 30 minutes à 5 heures.


Réglage de la luminosité intérieure


Appuyez sur la touche  du panneau de commande ou de la télécommande pour choisir un niveau de luminosité.

- Pour les modèles FF23SC15A-BL, FF23SC15A-SS, FF30SC15A-BL, FF30SC15A-SS, FF34SC15A-BL, FF34SC15A-SS, FF40SC15A-BL, FF40SC15A-SS, FF48SC15A-BL, FF48SC15A-SS, FF60SC15A-BL et FF60SC15A-SS, appuyez sur le bouton  du panneau de commandes ou de la télécommande pour choisir la couleur des flammes : orange, bleues ou rouges. Maintenez le bouton enfoncé durant trois secondes pour afficher les niveaux de luminosité **L4**, **L3**, **L2** et **L1** (dans cet ordre), puis relâchez le bouton au niveau désiré.
- Pour les modèles FF23SW15A-BL, FF30SW15A-BL, FF34SW15A-BL, FF40SW15A-BL, FF48SW15A-BL, FF60SW15A-BL, FF23SW15A-SS, FF30SW15A-SS, FF34SW15A-SS, FF40SW15A-SS, FF48SW15A-SS, FF60SW15A-SS, appuyez sur le bouton  du panneau de commandes ou de la télécommande pour choisir le niveau de luminosité: **L4**, **L3**, **L2** ou **L1**.

Réglage du thermostat

Appuyez sur la touche  du panneau de commande ou de la télécommande pour régler la température.

- Appuyez une fois pour activer le réglage de chaleur basse.
- Appuyez deux fois pour sélectionner le réglage de chaleur élevée.
- Appuyez une troisième fois pour éteindre le foyer.
- Lorsque le foyer s'allume, appuyez sur la touche  pendant cinq secondes pour vous permettre de sélectionner le réglage de température souhaité.

❗ REMARQUE : Lorsque le foyer s'allume, appuyez sur la touche  pendant cinq secondes pour basculer entre les unités °C et °F.

⚠ ATTENTION

- Débranchez toujours le foyer de l'alimentation principale avant d'effectuer un entretien de routine.
- Si vous avez besoin d'assistance, recourez toujours aux services d'un technicien qualifié.
- Installez toujours des pièces de rechange Furrion authentiques, disponibles auprès de votre revendeur agréé.

Nettoyage de la vitre

⚠ Mise en garde

Information sur la vitre

- Ne frappez pas la vitre et ne la soumettez pas à des chocs.
- N'utilisez jamais de nettoyeurs abrasifs pour nettoyer la vitre.
- Ne tentez jamais d'utiliser ce foyer si un composant de la vitre est brisé.
- Recourez toujours aux services d'un technicien qualifié pour remplacer les composants en verre brisés et installez toujours des pièces de rechange en verre trempé Furrion, disponibles auprès de votre revendeur agréé.

La vitre est nettoyée en usine pendant l'opération d'assemblage. La poussière peut s'accumuler sur la porte vitrée pendant l'expédition, l'installation ou la manipulation. Vous pouvez nettoyer la porte en l'époussetant légèrement avec un chiffon propre et sec.

Pour éliminer les traces de doigt et autres marques sur la porte vitrée, utilisez un chiffon humide. Pour empêcher la formation de taches d'eau, essuyez la porte vitrée avec un chiffon non pelucheux. Pour éviter les rayures, n'utilisez pas des nettoyeurs abrasifs ou de liquides en aérosol sur la surface de la porte vitrée.

Nettoyage de la surface du foyer

Vous pouvez nettoyer les pièces peintes en métal à l'aide d'un chiffon propre et humide. N'utilisez jamais de nettoyeurs abrasifs et des produits chimiques, car ils pourraient endommager la peinture. Nettoyez le grillage du diffuseur uniquement avec de l'eau et un chiffon non pelucheux. N'utilisez PAS de nettoyeurs ménagers abrasifs, car ces produits endommageront le grillage du diffuseur.

Entretien

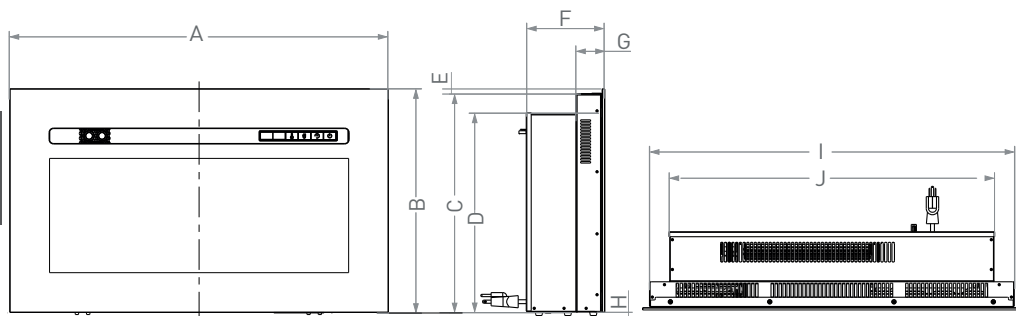
Les moteurs utilisés sur le ventilateur de l'unité et le souffleur de flamme sont pré-lubrifiés pour prolonger la durée de vie des roulements et ne nécessitent aucune lubrification supplémentaire. Cependant, un nettoyage ou une aspiration périodique de l'appareil et autour de l'entrée et de la sortie d'air est recommandé.

Dépannage

| Problème | Cause première | Mesure corrective |
|--|---|--|
| L'écran affiche « EE » | Le capteur du thermostat est brisé ou débranché. | Débranchez le foyer et retirez le panneau arrière. Confirmez que le thermostat est branché sur la carte principale. Si cela ne résout pas le problème, communiquez avec le service à la clientèle pour remplacer le capteur du thermostat. |
| L'écran affiche « BB » | Le protecteur thermique s'est déclenché. | Inspectez le foyer et assurez-vous que les entrées et les sorties d'air ne sont pas obstruées, car cela pourrait provoquer une surchauffe. |
| Le foyer ne souffle pas d'air chaud. | Cycle de refroidissement | Le fonctionnement normal continuera pendant 30 secondes avant de s'éteindre. |
| | Le réglage du thermostat empêche le foyer de s'allumer. | Réglez la température de manière à ce que le thermostat soit réglé à une température supérieure à la température ambiante actuelle. |
| La DEL ROUGE clignote constamment et le moteur du souffleur ne démarre pas. | Détecteur de proximité avec coupure | Assurez-vous qu'aucun objet ne se trouve à moins de 6 po des diffuseurs d'air. Appuyez sur le bouton d'alimentation pour redémarrer le foyer. |
| Le foyer s'éteint automatiquement. | La section coulissante se déplace et active la coupure de sécurité. | N'utilisez pas le foyer si la section coulissante n'est pas complètement déployée. |
| La télécommande ne fonctionne pas | Piles faibles ou défectueuses | Remplacez les piles de la télécommande. |
| | Signal faible | Appuyez doucement sur les touches de la télécommande avec un mouvement régulier. Des pressions rapides et répétées sur les touches peuvent entraîner le mauvais fonctionnement de la télécommande. |
| | Distance | Utilisez la télécommande à moins de 20 pieds de la façade du foyer. Pointez la télécommande vers le panneau de commande. |

Caractéristiques

Français



Caractéristiques techniques

Dimensions du produit

| Modèle | A | B | C | D | E | F | G | H | I | J |
|-------------------------|--|---|---|---|---|---|---|---|--|--|
| Foyer de la série 23 po | 25" (635mm) | 17 ³ / ₄ " (450mm) | 17 ³ / ₈ " (439.5mm) | 15 ¹³ / ₁₆ " (400.9mm) | 7 ¹ / ₈ " (10.5mm) | 6 ⁵ / ₁₆ " (161mm) | 2 ¹⁵ / ₁₆ " (58.4mm) | 5 ¹ / ₁₆ " (7mm) | 23 ¹⁵ / ₁₆ " (607.2mm) | 20 ³ / ₁₆ " (528.5mm) |
| Foyer de la série 30 po | 29 ¹⁵ / ₁₆ " (760mm) | 17 ³ / ₄ " (450mm) | 17 ³ / ₈ " (439.5mm) | 15 ¹³ / ₁₆ " (400.9mm) | 7 ¹ / ₈ " (10.5mm) | 6 ⁵ / ₁₆ " (161mm) | 2 ¹⁵ / ₁₆ " (58.4mm) | 5 ¹ / ₁₆ " (7mm) | 28 ¹⁵ / ₁₆ " (734.2mm) | 25 ⁵ / ₁₆ " (655.5mm) |
| Foyer de la série 34 po | 33 ⁷ / ₈ " (860mm) | 17 ³ / ₄ " (450mm) | 17 ³ / ₈ " (439.5mm) | 15 ¹³ / ₁₆ " (400.9mm) | 7 ¹ / ₈ " (10.5mm) | 6 ⁵ / ₁₆ " (161mm) | 2 ¹⁵ / ₁₆ " (58.4mm) | 5 ¹ / ₁₆ " (7mm) | 32 ¹³ / ₁₆ " (832.2mm) | 29 ¹¹ / ₁₆ " (753.5mm) |
| Foyer de la série 40 po | 39 ⁷ / ₁₆ " (1001mm) | 17 ³ / ₄ " (450mm) | 17 ³ / ₈ " (439.5mm) | 15 ¹³ / ₁₆ " (400.9mm) | 7 ¹ / ₈ " (10.5mm) | 6 ⁵ / ₁₆ " (161mm) | 2 ¹⁵ / ₁₆ " (58.4mm) | 5 ¹ / ₁₆ " (7mm) | 38 ⁷ / ₁₆ " (972.2mm) | 35 ³ / ₁₆ " (893.5mm) |
| Foyer de la série 48 po | 48" (1219mm) | 17 ³ / ₄ " (450mm) | 17 ³ / ₈ " (439.5mm) | 15 ¹³ / ₁₆ " (400.9mm) | 7 ¹ / ₈ " (10.5mm) | 6 ⁵ / ₁₆ " (161mm) | 2 ¹⁵ / ₁₆ " (58.4mm) | 5 ¹ / ₁₆ " (7mm) | 46 ⁷ / ₈ " (1191.2mm) | 43 ³ / ₄ " (1112.5mm) |
| Foyer de la série 60 po | 60" (1524mm) | 17 ³ / ₄ " (450mm) | 17 ³ / ₈ " (439.5mm) | 15 ¹³ / ₁₆ " (400.9mm) | 7 ¹ / ₈ " (10.5mm) | 6 ⁵ / ₁₆ " (161mm) | 2 ¹⁵ / ₁₆ " (58.4mm) | 5 ¹ / ₁₆ " (7mm) | 58 ¹⁵ / ₁₆ " (1496.2mm) | 55 ¹³ / ₁₆ " (1417.5mm) |
| Dimensions du cadre | Reportez-vous à la section « Installation murale » aux pages 7 et 8. | | | | | | | | | |
| Alimentation électrique | 12A @ 120V ac | | | | | | | | | |
| Alimentation électrique | UL 2021 et CSA 22.2 n ° 46 | | | | | | | | | |
| Fonctionnement | Flamme seulement - flamme et chaleur | | | | | | | | | |
| Options de commande | Télécommande | | | | | | | | | |
| | Panneau de commande | | | | | | | | | |
| Type d'installation | Installation encastrée ou semi-encastrée | | | | | | | | | |
| Zone de chauffage | 500 pi ² | | | | | | | | | |

Bienvenido

Gracias por comprar la chimenea eléctrica Bulr-in Furrion® 1465W (5000BTU). Antes de manejar un nuevo producto, lea las instrucciones detenidamente. Esto asegurará el uso sin riesgo y reducirá el riesgo de lesiones. Este manual de instrucciones contiene la información para la instalación, el mantenimiento del producto y el uso sin riesgos.

Mantenga este manual de instrucciones en un lugar segura para que le sirva de referencia futura. Asegúrese de darle este manual a todos los nuevos propietarios de este producto.


El fabricante no acepta la responsabilidad de ninguno de los daños por no seguir las instrucciones.

Contenido

| | |
|---|-----------|
| Bienvenido | 28 |
| Contenido | 29 |
| Instrucciones de seguridad importantes | 30 |
| Instrucciones de conexión a tierra | 31 |
| Declaración de la FCC..... | 32 |
| Descripción de la función | 33 |
| Panel de control | 33 |
| Control remoto..... | 33 |
| Instalación | 34 |
| Qué hay en la caja | 34 |
| Instalación en pared (empotrada) | 34 |
| Instalación en pared (medio empotrado) | 35 |
| Instalación residencial..... | 36 |
| Instalación de RV..... | 36 |
| Operación | 37 |
| Para encender/apagar | 37 |
| Para ajustar la temperatura | 37 |
| Ajuste del temporizador..... | 37 |
| Control de brillo interior | 37 |
| Control del termostato..... | 38 |
| Cuidado y mantenimiento | 39 |
| Limpieza de vidrio | 39 |
| Limpieza de la superficie de la chimenea | 39 |
| Servicio..... | 39 |
| Solución de problemas | 40 |
| Especificaciones | 41 |

Instrucciones de seguridad importantes

Al usar aparatos eléctricos, siempre se deben tomar precauciones básicas para reducir el riesgo de incendio, descarga eléctrica y lesiones a personas, incluidos los siguientes:

1. Lea todas las instrucciones antes de usar este electrodoméstico.
2. Esta chimenea está caliente cuando está en uso. Para evitar quemaduras, no permita que la piel desnuda toque superficies calientes. El borde alrededor de la salida del calentador se calienta durante el funcionamiento del calentador.
3. Se requiere extrema precaución cuando cualquier calentador se utiliza cerca de niños o de bebés y siempre que el calentador se deje funcionando desatendido.
4. Los niños deben ser supervisados para asegurarse de que no jueguen con el electrodoméstico.
5. El aparato no debe ser utilizado por niños pequeños o personas enfermas sin supervisión.
6. Si el cable de alimentación está dañado, debe ser reemplazado por el fabricante, su agente de servicio o una persona calificada similar para evitar el peligro.
7. No opere ninguna unidad con un cable o enchufe dañado, o si el calentador no funciona bien o si la chimenea eléctrica se ha caído o dañado de alguna manera.
8. No lo use al aire libre.
9. Nunca coloque la chimenea donde pueda caer en una bañera u otro recipiente de agua.
10. No pase el cable debajo de las alfombras. No cubra el cable con tapetes, correderas o similares. Arregle el cable lejos del área de tráfico y donde no se tropezará.
11. No coloque el calentador inmediatamente debajo de una toma de corriente fija.
12. Para desconectar la chimenea, presione el botón , verifique que la chimenea esté apagada, luego desenchúfela del tomacorriente.
13. No inserte ni permita la entrada de objetos extraños a ninguna abertura de ventilación o de escape, ya que esto podría provocar una descarga eléctrica, un incendio o daños en el calentador.
14. No bloquee la entrada de aire o el escape de ninguna manera. No lo use sobre superficies blandas, como una cama, donde las aberturas pueden bloquearse.
15. Todos los calentadores eléctricos tienen partes calientes y arqueadas o chispas dentro. No lo use en áreas donde se usa o almacena gasolina, pintura o líquidos inflamables o donde la unidad estará expuesta a vapores inflamables.
16. No modifique la chimenea eléctrica. Úselo solo como se describe en este manual. Cualquier otro uso no recomendado por el fabricante puede provocar incendios, descargas eléctricas o lesiones a personas.
17. Evite el uso de un cable de extensión. Los cables de extensión pueden sobrecalentarse y causar un riesgo de incendio. Si debe usar un cable de extensión, el cable deberá ser del tamaño mínimo 14 AWG y tener una clasificación no menor de 1875 vatios.

Instrucciones de seguridad importantes

18. No quemar madera u otros materiales en la chimenea eléctrica.
19. No golpees el cristal de la chimenea.
20. Siempre use un electricista certificado si se requieren nuevos circuitos o tomacorrientes.
21. Siempre use tomacorrientes debidamente polarizados, con fusibles y polarizados.
22. Desconecte todas las fuentes de alimentación antes de realizar cualquier limpieza, mantenimiento o reubicación de la unidad.
23. Cuando transporte o almacene la unidad y el cable, manténgalos en un lugar seco, libre de vibraciones excesivas y guárdelos para evitar daños.

Instrucciones de conexión a tierra

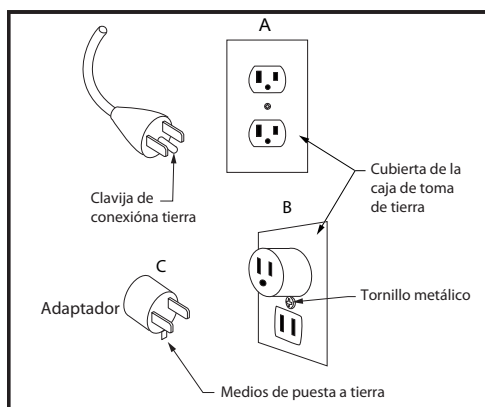
PELIGRO: La conexión incorrecta del conductor de puesta a tierra del equipo puede provocar un riesgo de descarga eléctrica. Consulte con un electricista calificado si tiene dudas sobre si el producto está correctamente conectado a tierra. No modifique el enchufe provisto con el producto. Si no se ajusta a la toma de corriente, haga que un electricista calificado instale una toma de corriente adecuada.

Este producto debe estar conectado a tierra. Si funciona mal o falla, la conexión a tierra adecuada proporciona una ruta de menor resistencia para el flujo de corriente eléctrica y reduce el riesgo de descarga eléctrica. Este producto está equipado con un cable que tiene un conductor de conexión a tierra

del equipo y un enchufe de conexión a tierra. El enchufe debe ser insertado en un tomacorriente apropiado que esté correctamente instalado y conectado a tierra de acuerdo con todos los códigos y ordenanzas locales.

Esta chimenea es para uso en circuitos de 120 voltios y tiene un enchufe con conexión a tierra. Hay disponible un adaptador para conectar enchufes de tres patas con toma de tierra a receptáculos de dos ranuras. La lengüeta verde de conexión a tierra que se extiende desde el adaptador debe conectarse a una toma de tierra permanente, como una caja de tomacorriente correctamente conectada a tierra.

El adaptador no debe usarse si hay un receptáculo con conexión a tierra de tres ranuras disponible.



⚠ ADVERTENCIA: Procedimientos y técnicas que, si no se siguen cuidadosamente, expondrán al usuario al riesgo de incendio, lesiones graves, enfermedad o muerte.

Instrucciones de seguridad importantes

❗ **NOTA:** Procedimientos y técnicas que se consideran lo suficientemente importantes como para enfatizar.

⚠ **PRECAUCIÓN:** Procedimientos y técnicas que, si no se siguen cuidadosamente, ocasionarán daños al equipo.

Declaración de la FCC

Este equipo ha sido probado y se encontró que cumple con los límites para un dispositivo digital de Clase B, de conformidad con la Parte 15 de las Reglas de la FCC. Estos límites están diseñados para proporcionar protección razonable contra interferencia dañina en una instalación residencial. Este equipo genera, usa y puede irradiar energía de radiofrecuencia y, si no se instala y utiliza de acuerdo con las instrucciones, puede causar interferencia dañina a las comunicaciones de radio. Sin embargo, no hay garantía de que la interferencia no ocurra en una instalación en particular.

Este dispositivo cumple con la Parte 15 de las Reglas de la FCC. El funcionamiento está sujeto a las siguientes condiciones:

- (1) Este dispositivo no puede causar interferencia dañina, y
- (2) Este dispositivo debe aceptar cualquier interferencia recibida, incluidas las interferencias que puedan causar un funcionamiento no deseado.

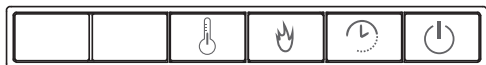
Las modificaciones no aprobadas por la parte responsable del cumplimiento pueden anular la autoridad del usuario para operar el equipo.

Este aparato digital de Clase B cumple con la norma canadiense ICES-006.

Guarde estas instrucciones para referencia futura

Descripción de la función

Panel de control



| Artículo | Función |
|----------|---|
| | <ul style="list-style-type: none"> • Para encender/apagar la chimenea • Cuando la chimenea se está encendiendo, siga presionando durante cinco segundos para alternar entre ° C y ° F, y el LED parpadeará. |
| | Establece el temporizador de calentamiento. |
| | <ul style="list-style-type: none"> • Controla el nivel de brillo interior de la chimenea. • Para el modelo For model FF23SC15A-BL, FF23SC15A-SS, FF30SC15A-BL, FF30SC15A-SS, FF34SC15A-BL, FF34SC15A-SS, FF40SC15A-BL, FF40SC15A-SS, FF48SC15A-BL, FF48SC15A-SS, FF60SC15A-B y FF60SC15A-SS, se utiliza para controlar el color de la llama y el nivel de brillo interior de la chimenea. |
| | <ul style="list-style-type: none"> • Controla el modo de salida de temperatura. • Cuando la chimenea se enciende, siga presionando durante cinco segundos para seleccionar la configuración de temperatura deseada. |

Control remoto



| Artículo | Función |
|----------|--|
| | <ul style="list-style-type: none"> • Para encender/apagar la chimenea • Cuando la chimenea se está encendiendo, siga presionando durante cinco segundos para alternar entre ° C y ° F, y el LED parpadeará. |
| | Establece el temporizador de calentamiento. |
| | <ul style="list-style-type: none"> • Controla el nivel de brillo interior de la chimenea. • Para el modelo FF23SC15A-BL, FF23SC15A-SS, FF30SC15A-BL, FF30SC15A-SS, FF34SC15A-BL, FF34SC15A-SS, FF40SC15A-BL, FF40SC15A-SS, FF48SC15A-BL, FF48SC15A-SS, FF60SC15A-BL y FF60SC15A-SS, se utiliza para controlar el color de la llama y el nivel de brillo interior de la chimenea. |
| | <ul style="list-style-type: none"> • Controla el modo de salida de temperatura. • Cuando la chimenea se enciende, siga presionando durante cinco segundos para seleccionar la configuración de temperatura deseada. |
| | Disminuya la producción de calor. |
| | Aumenta la entrada de calor. |

Instalación

¡IMPORTANTE:! Si no instala la chimenea eléctrica incorporada como se indica a continuación, podría dañar el equipo y/o exponer al usuario al riesgo de incendio, lesiones graves, enfermedad o muerte.

Qué hay en la caja

Asegúrese de tener todos los siguientes artículos incluidos en el embalaje. Si algún artículo está dañado o falta, contacte a su distribuidor.

- Cuerpo principal de la chimenea
- 4 tornillos de montaje
- Control remoto
- Manual de instrucciones x 1
- Tarjeta de garantía x 1
- Diagrama de cableado deslizable

Instalación en pared (empotrada)

1. Seleccione una ubicación adecuada que no sea susceptible a la humedad.
2. Marque y recorte una abertura en el gabinete de acuerdo con las

Dimensiones del gabinete

| Modelo | A | B | C | D | E |
|-----------------|------------------------------------|------------------------------------|-----------------------------------|----|---------------------------------------|
| Chimenea de 23" | 24 ⁹ / ₁₆ " | 17 ¹³ / ₁₆ " | 21 ¹ / ₄ " | 2" | 7 ⁹ / ₁₆ " Min. |
| Chimenea de 30" | 29 ⁹ / ₁₆ " | 17 ¹³ / ₁₆ " | 26 ¹ / ₄ " | 2" | 7 ⁹ / ₁₆ " Min. |
| Chimenea de 34" | 33 ⁹ / ₁₆ " | 17 ¹³ / ₁₆ " | 30 ⁹ / ₁₆ " | 2" | 7 ⁹ / ₁₆ " Min. |
| Chimenea de 40" | 38 ¹¹ / ₁₆ " | 17 ¹³ / ₁₆ " | 35 ⁷ / ₁₆ " | 2" | 7 ⁹ / ₁₆ " Min. |
| Chimenea de 48" | 47 ¹¹ / ₁₆ " | 17 ¹³ / ₁₆ " | 44 ¹ / ₄ " | 2" | 7 ⁹ / ₁₆ " Min. |
| Chimenea de 60" | 59 ⁹ / ₁₆ " | 17 ¹³ / ₁₆ " | 56 ⁹ / ₁₆ " | 2" | 7 ⁹ / ₁₆ " Min. |

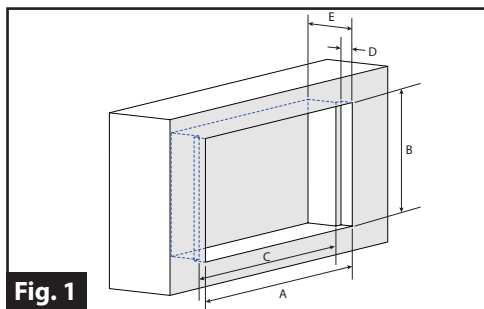


Fig. 1

NOTA: Si el grosor de la madera es menor a 1/2", se recomienda agregar una base de soporte debajo de la chimenea en el gabinete.

3. Asegúrese de que el área del gabinete esté libre de polvo y escombros, retire la chimenea cuidadosamente de la caja de cartón y deseche el plástico y el empaque de espuma.
4. Levante para quitar la cubierta de vidrio de la unidad y déjela a un lado. (Fig. 2)

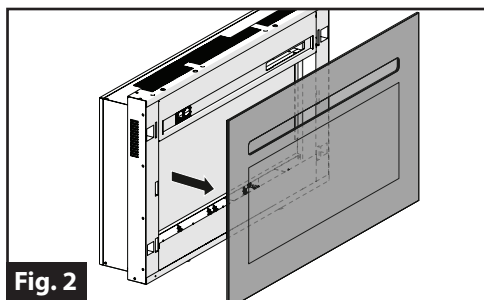


Fig. 2

5. Instale la chimenea en el área recortada y asegúrela con 4 tornillos de montaje suministrados. (Fig. 3)

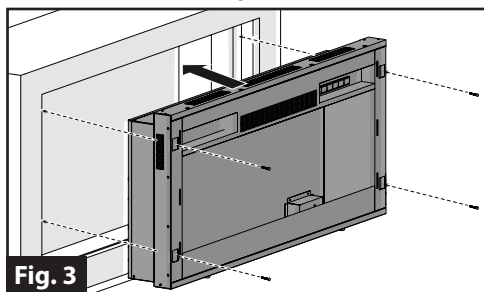
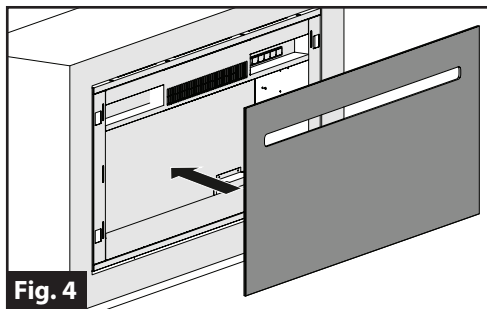


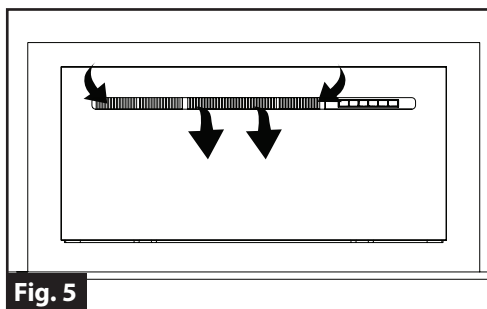
Fig. 3

Instalación

6. Alinee las seis pestañas de la parte posterior de la tapa de vidrio con las ranuras de la chimenea y vuelva a colocar la tapa de vidrio en la chimenea. (Fig. 4)



7. No bloquee las áreas de ventilación. (Fig. 5)

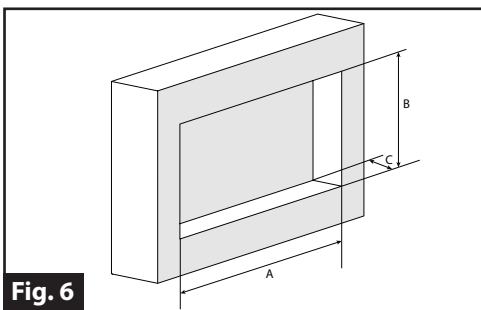


Instalación en pared (medio empotrado)

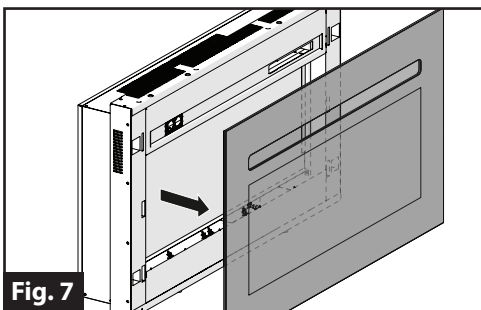
1. Seleccione una ubicación adecuada que no sea susceptible a la humedad.
2. Marque y recorte una abertura en el gabinete de acuerdo con las dimensiones descritas en la Fig. 6.

Dimensiones del gabinete

| Modelo | A | B | C |
|-----------------|---------------------|--------------------|----|
| Chimenea de 23" | 21 $\frac{1}{4}$ " | 16 $\frac{1}{4}$ " | 5" |
| Chimenea de 30" | 26 $\frac{1}{4}$ " | 16 $\frac{1}{4}$ " | 5" |
| Chimenea de 34" | 30 $\frac{9}{16}$ " | 16 $\frac{1}{4}$ " | 5" |
| Chimenea de 40" | 35 $\frac{7}{16}$ " | 16 $\frac{1}{4}$ " | 5" |
| Chimenea de 48" | 44 $\frac{1}{4}$ " | 16 $\frac{1}{4}$ " | 5" |
| Chimenea de 60" | 56 $\frac{3}{16}$ " | 16 $\frac{1}{4}$ " | 5" |



3. Asegúrese de que el área del gabinete esté libre de polvo y escombros, retire la chimenea cuidadosamente de la caja de cartón y deseche el plástico y el empaque de espuma.
4. Levante para quitar la cubierta de vidrio de la unidad y déjela a un lado. (Fig. 7)



5. Instale la chimenea en el área recortada y asegúrela con 4 tornillos de montaje suministrados. (Fig. 8)

Instalación

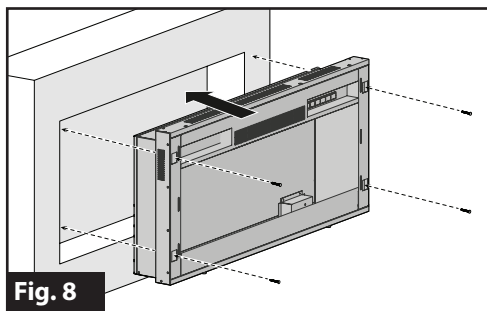


Fig. 8

6. Alinee las seis pestañas de la parte posterior de la tapa de vidrio con las ranuras de la chimenea y vuelva a colocar la tapa de vidrio en la chimenea. (Fig. 9)

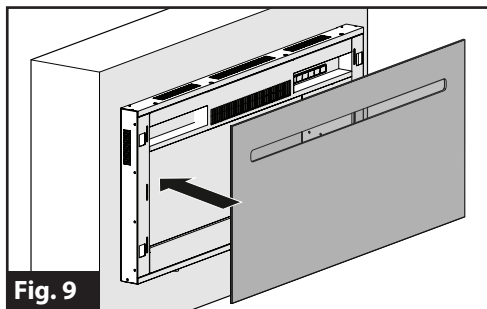


Fig. 9

7. No bloquee las áreas de ventilación. (Fig. 10)

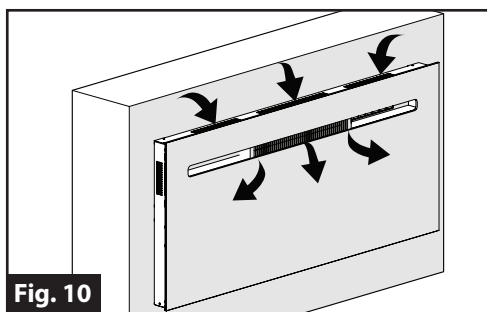


Fig. 10

Instalación residencial

PRECAUCIÓN: Al instalar esta chimenea en

aplicaciones residenciales, asegúrese de dejar un mínimo de 3 pies de distancia de cualquier objeto.

Instalación de RV

ADVERTENCIA: Cuando instale esta chimenea en aplicaciones RV, asegúrese de que el aire caliente no sople directamente sobre los muebles suaves o materiales combustibles durante la operación. Para la instalación de la chimenea en la pared deslizable de RV, le recomendamos que conecte los cables de corte de seguridad deslizable al sistema de activación de CC de 12 V deslizable. Este sistema evitará la operación mientras viaja y en el modo de almacenamiento. No opere la chimenea cuando la salida deslizable esté en la posición replegada.

NOTA: Esta chimenea está equipada con un sensor de proximidad y corte térmico para su seguridad. Cuando la chimenea está en funcionamiento y los objetos se colocan a 6 pulgadas o menos, la chimenea se apagará automáticamente y un LED rojo parpadeará. Retire el objeto y encienda el interruptor de encendido de la chimenea para restablecerlo. Verifique la interferencia de otros controles remotos de productos eléctricos que puedan afectar las operaciones de la chimenea.

No instale el accesorio para chimenea directamente sobre la alfombra o superficies similares que puedan restringir el flujo de aire.

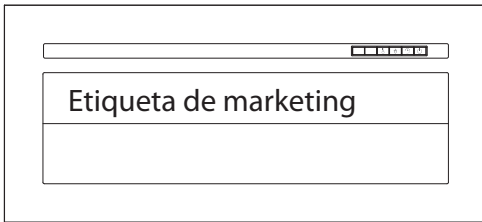
PRECAUCIÓN: Si instala la chimenea en un área alfombrada, coloque una superficie sólida y plana de una sola pieza debajo de la chimenea.

PRECAUCIÓN: La separación para la circulación del aire se encuentra en la parte superior de la chimenea. Asegúrese de que esta brecha esté libre de obstrucciones.


Operación

❗ NOTA: Para su seguridad, esta chimenea está equipada con un dispositivo sensor de proximidad. Cuando se detectan objetos a una distancia de seis pulgadas, la chimenea se cortará automáticamente y un LED rojo parpadeará. La chimenea no volverá a encenderse sin reiniciarse.



Retire la etiqueta de comercialización del vidrio frontal y la película protectora antes de su uso. El funcionamiento de la unidad sin la eliminación completa de la película protectora puede aumentar el riesgo de incendios o daños o lesiones al producto.




Para encender/apagar

Presione  en el panel de control o en el control remoto para encender / apagar la chimenea.


Para ajustar la temperatura



Presione  en el control remoto para aumentar la entrada de calor, presione  para disminuir la producción de calor

Ajuste del temporizador


Presionar  en el panel de control o en el control remoto le permitirá configurar el temporizador de calefacción. Puede establecer el tiempo de 30 minutos a 5 horas.


Control de brillo interior


Presione  en el panel de control o en el control remoto para seleccionar los niveles de brillo deseados.

- Para los modelos FF23SC15A-BL, FF23SC15A-SS, FF30SC15A-BL, FF30SC15A-SS, FF34SC15A-BL, FF34SC15A-SS, FF40SC15A-BL, FF40SC15A-SS, FF48SC15A-BL, FF48SC15A-SS, FF60SC15A-BL y FF60SC15A-SS, presione el botón  en el panel de control o en el control remoto para seleccionar el color deseado de la flama naranja, azul o rojo. Manténgalo presionado por tres segundos para mostrar los niveles de brillo de **L4**, **L3**, **L2** y **L1** en la secuencia y libere para seleccionar el nivel deseado.
- Para los modelos FF23SW15A-BL, FF30SW15A-BL, FF34SW15A-BL, FF40SW15A-BL, FF48SW15A-BL, FF60SW15A-BL, FF23SW15A-SS, FF30SW15A-SS, FF34SW15A-SS, FF40SW15A-SS, FF48SW15A-SS, FF60SW15A-SS, presione el botón  en el panel de control o en el control remoto para seleccionar los niveles de brillo de **L4**, **L3**, **L2** o **L1**.

Control del termostato

Presione el botón  en el panel de control o en el control remoto para ajustar la temperatura a sus necesidades individuales.

- Presione una vez para activar la configuración de baja temperatura.
- Presione dos veces para seleccionar la configuración de calor alto.
- Presione el botón una tercera vez para apagar la chimenea.
- Cuando la chimenea se enciende, presione  durante cinco segundos para permitirle seleccionar la configuración de temperatura deseada.

! **NOTA:** Cuando la chimenea se enciende, presione  durante cinco segundos alternará entre ° C y ° F.

Cuidado y mantenimiento

⚠ ADVERTENCIA

- Siempre desconecte la chimenea de la fuente de alimentación principal antes de realizar cualquier mantenimiento de rutina.
- Utilice siempre un técnico calificado si necesita ayuda.
- Siempre instale piezas de repuesto originales de Furrion, que están disponibles en su distribuidor autorizado.

Limpieza de vidrio

⚠ Precaución

INFORMACIÓN DE VIDRIO

- Nunca golpee ni cierre de golpe el vidrio.
- Nunca use limpiadores abrasivos para limpiar el vidrio.
- Nunca intente operar esta chimenea si algún componente de vidrio está roto.
- Utilice siempre un técnico de servicio calificado para reemplazar los componentes de vidrio rotos e instale siempre los reemplazos de vidrio templado Furrion genuinos, que están disponibles en su distribuidor autorizado.

El vidrio se limpia en la fábrica durante la operación de ensamblaje. La puerta transparente puede recoger partículas de polvo durante el envío, la instalación o la manipulación, estas pueden eliminarse al espolvorear ligeramente con un paño limpio y seco.

Para quitar las huellas dactilares u otras marcas, la puerta transparente se puede limpiar con un paño húmedo. La puerta transparente debe estar completamente seca con un paño sin pelusa para evitar manchas de agua. Para evitar arañazos, no use limpiadores abrasivos ni líquidos en aerosol sobre la superficie transparente de la puerta.

Limpieza de la superficie de la chimenea

Las piezas pintadas de metal se pueden limpiar con un paño limpio y húmedo. Nunca use limpiadores abrasivos ni agentes químicos ya que pueden dañar el acabado de la pintura.

La limpieza del difusor de la pantalla debe realizarse utilizando solo agua y un paño sin pelusa. NO use limpiadores domésticos abrasivos ya que estos productos dañarán la pantalla de difusión.

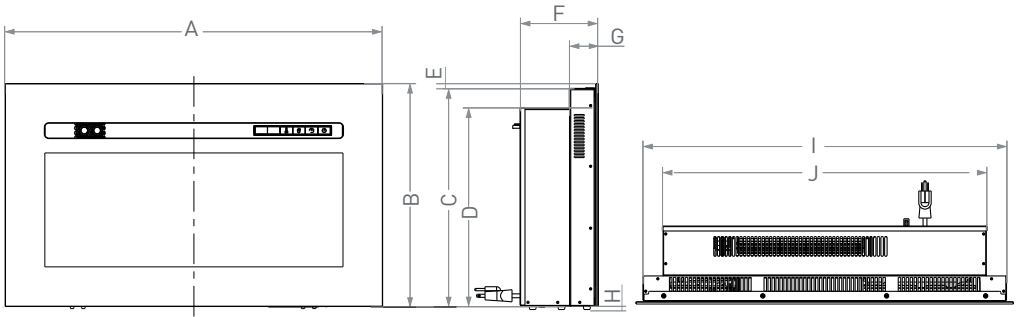
Servicio

Los motores utilizados en el calentador del ventilador y el soplador de llama están prelubricados para prolongar la vida útil del rodamiento y no requieren lubricación adicional. Sin embargo, se recomienda la limpieza/aspiración periódica del aparato y alrededor de la entrada y salida de aire.

Solución de problemas

| Problem | Causa principal | Acción correctiva |
|---|---|--|
| La pantalla muestra "EE" | El sensor del termostato está roto o desconectado. | Desenchufe la chimenea y quite el panel posterior. Verifique que el termostato esté enchufado a la placa de circuito principal. Si esto no resuelve el problema, contáctese con el servicio al cliente para obtener un sensor de reemplazo del termostato. |
| La pantalla muestra "88" | Se activó la protección de sobrecalentamiento de reinicio manual. | Inspeccione la chimenea y verifique que las entradas y salidas de aire no estén bloqueadas, ya que esto puede causar sobrecalentamiento. |
| La chimenea no sopla aire caliente. | Ciclo de enfriamiento | La operación normal continuará durante 30 segundos antes de apagarse. |
| | La configuración del termostato impide que la chimenea se encienda. | Ajuste la configuración de temperatura para asegurarse de que el termostato esté configurado a una temperatura superior a la temperatura ambiente actual. |
| El LED ROJO está parpadeando constantemente y el motor del ventilador no arranca. | Interruptor de proximidad cortado | Asegúrese de que no haya obstrucciones dentro de una distancia mínima de 6 pulgadas de las salidas de aire. Presione el botón de Encendido para reiniciar la chimenea. |
| La chimenea se apaga automáticamente. | El deslizamiento se mueve y activa el corte de seguridad. | No use la chimenea si la tapa deslizante no está en la posición completamente extendida. |
| El control remoto no funciona | Baterías débiles o defectuosas | Reemplace las baterías remotas. |
| | Señal débil | Presione los botones del control remoto con un movimiento uniforme y presión suave. Presionar repetidamente los botones en sucesión rápida puede causar un mal funcionamiento de la conexión. |
| | Distancia | Opere el control remoto a una distancia menor de 20 pies desde el frente de la chimenea. Apunte el control remoto hacia el panel de control. |

Especificaciones



Especificaciones técnicas

Dimensiones del producto (Ancho * Altura * Profundidad)

| Modèle | A | B | C | D | E | F | G | H | I | J |
|-----------------|------------------|-----------------|-------------------|-------------------|-------------------|----------------|-----------------|----------------|--------------------|--------------------|
| Chimenea de 23" | 25" (635mm) | 17¼" (450mm) | 17¾" (439.5mm) | 15⅞" (400.9mm) | 7/16" (10.5mm) | 6⅞" (161mm) | 2⅞" (58.4mm) | 5/16" (7mm) | 23⅞" (607.2mm) | 20⅞" (528.5mm) |
| Chimenea de 30" | 29⅞" (760mm) | 17¼" (450mm) | 17¾" (439.5mm) | 15⅞" (400.9mm) | 7/16" (10.5mm) | 6⅞" (161mm) | 2⅞" (58.4mm) | 5/16" (7mm) | 28⅞" (734.2mm) | 25⅞" (655.5mm) |
| Chimenea de 34" | 33⅞" (860mm) | 17¼" (450mm) | 17¾" (439.5mm) | 15⅞" (400.9mm) | 7/16" (10.5mm) | 6⅞" (161mm) | 2⅞" (58.4mm) | 5/16" (7mm) | 32⅞" (832.2mm) | 29⅞" (753.5mm) |
| Chimenea de 40" | 39⅞" (1001mm) | 17¼" (450mm) | 17¾" (439.5mm) | 15⅞" (400.9mm) | 7/16" (10.5mm) | 6⅞" (161mm) | 2⅞" (58.4mm) | 5/16" (7mm) | 38⅞" (972.2mm) | 35⅞" (893.5mm) |
| Chimenea de 48" | 48" (1219mm) | 17¼" (450mm) | 17¾" (439.5mm) | 15⅞" (400.9mm) | 7/16" (10.5mm) | 6⅞" (161mm) | 2⅞" (58.4mm) | 5/16" (7mm) | 46⅞" (1191.2mm) | 43⅞" (1112.5mm) |
| Chimenea de 60" | 60" (1524mm) | 17¼" (450mm) | 17¾" (439.5mm) | 15⅞" (400.9mm) | 7/16" (10.5mm) | 6⅞" (161mm) | 2⅞" (58.4mm) | 5/16" (7mm) | 58⅞" (1496.2mm) | 55⅞" (1417.5mm) |

Dimensiones de encuadre

Consulte la sección "Instalación en pared" en la página 7 y en la página 8

Eléctrico

12A @ 120V ac

Requerimientos de seguridad

UL 2021 y CSA 22.2 No.46

Operación

Solo llama - llama y calor

Opciones de control

Control remoto

Panel de control

Tipo de instalación

Instalación empotrada o instalación a medio lavado

Área de calefacción

500 pies²

FURRION

Furrion Innovation Center & Institute of Technology

- 52567 Independence Ct., Elkhart, IN 46514, USA ● Toll free:1-800-789-3341
- Email: support@furrion.com

©2007-2020 Furrion Ltd. Furrion® and the Furrion logo are trademarks licensed for use by Furrion Ltd. and registered in the U.S. and other countries.

©2007-2020 Furrion Ltd. Furrion® et le logo Furrion sont des marques déposées par Furrion Ltd. et enregistrées aux Etats-Unis et ailleurs.

©2007-2020 Furrion Ltd. Furrion® y el logotipo de Furrion y son marcas comerciales con licencia de uso de Furrion Ltd. y están registradas en los Estados Unidos y en otros países.

Patents pending / Brevets en instance / Patentes pendientes (FF30SC15A-BL/FF30SW15A-BL/FF34SC15A-BL/FF34SW15A-BL/FF40SC15A-BL/FF40SW15A-BL/FF48SC15A-BL/FF48S-W15A-BL/FF60SC15A-BL/FF60SW15A-BL)

FURRION.COM