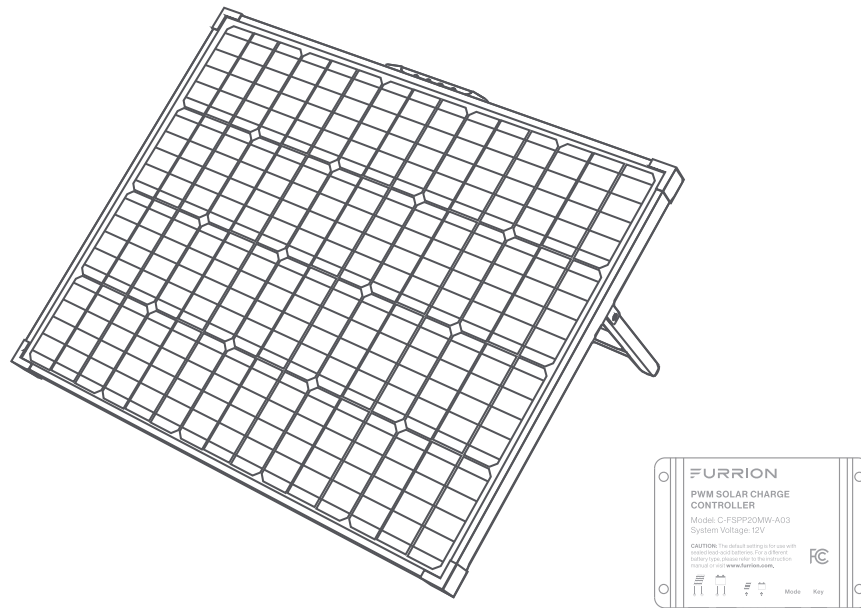

100W KICKSTAND SOLAR PANEL WITH PWM BUNDLE KIT

MODEL: FSPK10MWT-BL

USER MANUAL



Content Includes:

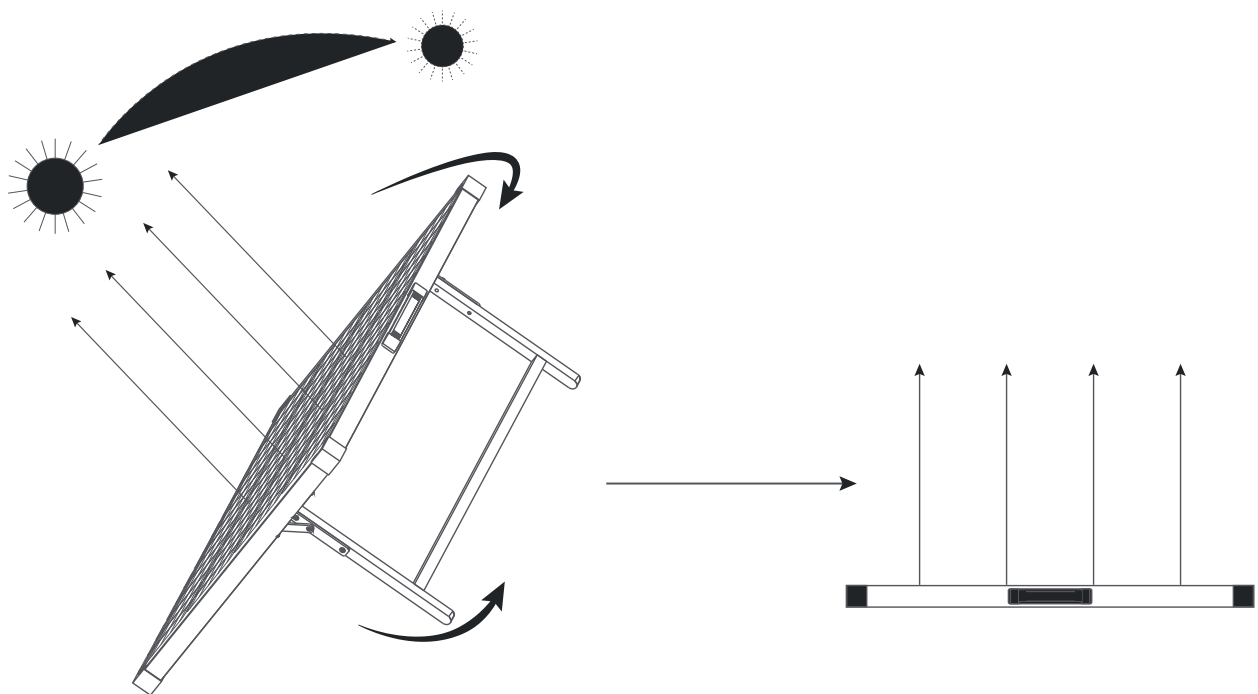
- 100W Solar Panel
- 10A PWM Charge Controller
- User Manual
- Warranty Manual

* Product picture for reference only

!!ATTENTION!!

- DO NOT use around open flammable sources.
- DO NOT sit on this product.
- DO NOT hang anything from this product.
- DO NOT setup on elevated surfaces (roofs, tables).
- DO NOT hang from elevated supports (trees, ladders).
- DO NOT setup on un-even surfaces/terrains.
- DO NOT setup or place wiring in any standing water.
- DO NOT place wiring in travel paths (walking, vehicle).
- DO NOT place panel in shaded areas (RV, trees, etc.).
- ONLY use this product as intended, with Furrion products, any modification will void the warranty.

SETUP AND OPERATION



NOTE: Ensure panel has stable footing.

Battery Type Selection Method

- Press the button for 3 seconds. The LED will begin to flash indicating that the mode can be changed.
- The LED number will cycle from 1 to 4 when the button is pressed.
- When the desired battery type number appears, wait until the LED stops flashing or press the button again for 3 seconds to complete the setting.

Numeric Indicator	Battery Type	Numeric Indicator	Battery Type
1	Sealed lead-acid batteries	3	Flooded lead-acid batteries
2	GEL lead-acid batteries	4	Lithium iron phosphate batteries

HANDLING AND ROUTINE MAINTENANCE

- ALWAYS carry product by lifting handle.
- ALWAYS lock folding legs in position with turn knob.
- ALWAYS protect glass surface when handling/storing.
- ALWAYS keep glass clean to maximize efficiency.
- ALWAYS check wiring and connector quality.
- ALWAYS maintain batteries as per manufacturer.

CLEANING INSTRUCTIONS

- ONLY use warm soapy water and clean cloth.
- NEVER use acidic solutions as it may frost/damage the glass.

SPECIFICATION

Mechanical Specifications	
Solar Cell Type	Monocrystalline
Cell Size	6 $\frac{1}{8}$ " x 6 $\frac{1}{8}$ " (156mm x 156mm)
Product Size	34 $\frac{4}{16}$ " x 26 $\frac{6}{16}$ " x 1 $\frac{7}{16}$ " (870mm x 670mm x 35mm)
Number of Cells	20
Weight	17.6lbs (8.0kg) \pm 10%
Cable Length	181 $\frac{1}{8}$ " (4.6m)
Type of Connector	DC Connector
Junction Box	IP65 rated (dust proof, water resistant)
Working Specifications	
Power Tolerance	-5%, +5%



FURRION

Furrion Innovation Center & Institute of Technology

- 52567 Independence Ct., Elkhart, IN 46514, USA • Toll free:1-888-354-5792
- Email: support@furrion.com

©2007-2020 Furrion Ltd. Furrion® and the Furrion logo are trademarks licensed for use by Furrion Ltd. and registered in the U.S. and other countries.

FURRION.COM

100W KICKSTAND SOLAR PANEL



Recharge your battery off-grid

Stay charged during your off-grid adventures with Furrion's 100W Kickstand Solar Panel. Made with monocrystalline cells – the highest-grade silicon – these panels deliver the best possible efficiency rating.

These panels also provides a higher power output contained in a more compact package, taking up less space while still giving you the power you need.

Key Benefits and Compatibility

High efficiency cells: The Furrion 100W Kickstand Solar Panel uses high quality monocrystalline cells, making it ideal for all kinds of weather conditions and providing consistent power output whether you're using it with ideal sun exposure or in low light conditions during a cloudy day.

Portable and durable: Made of corrosion-resistant aluminium and tempered glass, Furrion Solar panels have been designed to be highly portable and extremely resistant to extreme weather conditions. With a weight of only 18.74lbs, this kickstand solar panel is an efficient and convenient power source for your next off-grid adventure.

Versatile and ready-to-use: This highly versatile solar panel is ready-to-use straight out-of-the-box. All you need to do is unfold it, plug it into your Furrion RV solar inlet, Furrion PowerStation™ or Furrion eRove™ electric cooler, and begin powering your devices.

Main Features



100W
MAXIMUM
POWER



WATERPROOF



ALUMINIUM
FRAME WITH
CORNER
PROTECTION



UP TO 20%
CELL EFFICIENCY



SHORT CIRCUIT
PROTECTION



15 FT PV LEAD
CABLE



OPTIMAL
PERFORMANCE
IN WEAK LIGHT



COMPATIBLE
WITH FURRIION
10A PWM
CHARGER*

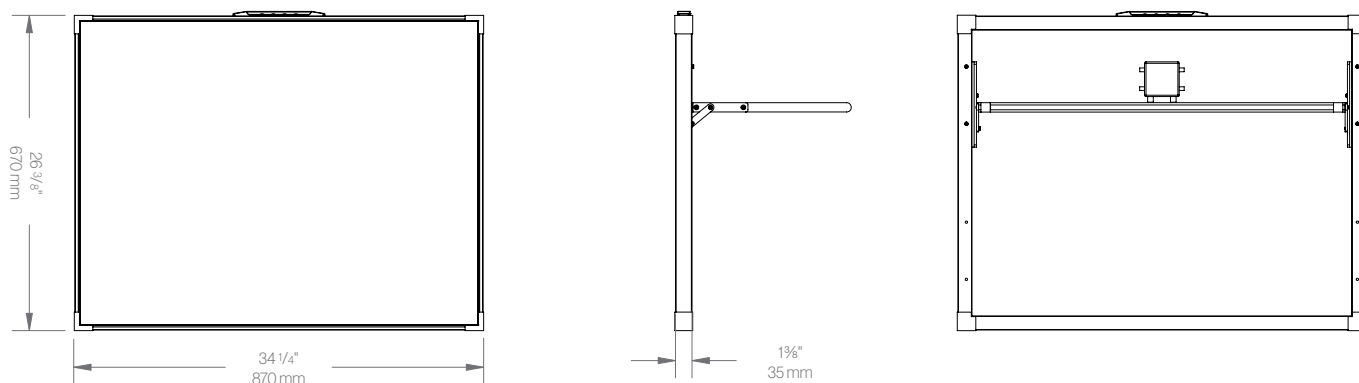


COMPATIBLE
WITH FURRIION
EPOD™ *

* Sold separately

Compatibility

- Furrion RV solar inlet
- Furrion ePod™ battery
- Furrion eRove™ ecosystem



Part Number	Product
FSPK10MWY	100W Briefcase Solar Panel, 10A PWM Bundle kit
FSPK10MWN	100W Briefcase Solar Panel, Furrion ePod™ Adapter Bundle kit

Specifications

Max. Power(Pmax)	100W
Rated Voltage(Vmpp)	17V
Rated Current (Impp)	5.9A
Open Circuit Voltage (Voc)	20.9V
Short Circuit Current (Isc)	6.13A
Solar Cell Type	Monocrystalline
Test Condition	77°F / 25°C, 1000W/m ² Irradiance and AM1.5
Connector Type	DC Connector

Pallet Information

Quantity per Box	16
Master Carton Dimensions (L x W x H)	39 ³ / ₄ x 35 ⁷ / ₈ x 28" (1010 x 910 x 710 mm)
Master Carton Gross Weight (lbs/kg)	333lbs / 151kg
Master Carton Net Weight (lbs/kg)	317lbs / 144kg

Packaging Information

Packaging Type	Carton Box
Quantity per Box (pcs)	1
Individual Packaging Dimensions (L x W x H)	35 ³ / ₈ x 27 ¹ / ₈ x 2 ¹ / ₈ " (890 x 690 x 55mm)
Individual Packaging Gross Weight (lbs/kg)	18.1lbs / 8.2kg
Individual Packaging Net Weight (lbs/kg)	17.6lbs / 8.0kg



FURRION

WARRANTY LEAFLET ENGLISH (EN)

LIVRET DE GARANTIE..... FRANÇAIS (FR)

FOLLETO DE LA GARANTÍA ESPAÑOL (ES)

FSPK10MWT-BL



Serial No.:1911902043112000218

EN

Congratulations on purchasing your new Furrion product. All Furrion products are made to strict quality standards. If used properly for its intended purpose, your product should provide many years of use. The details of this warranty are set out in the terms and conditions (see reverse) which supplement the authorized reseller or dealer's Terms and Conditions of Sale. This warranty is given in addition to your other rights under the laws of the country where you purchased this product. Please visit www.furrion.com

LIMITED WARRANTY TERMS AND CONDITIONS

1. Furrion warrants that this product will be free from defects in workmanship and materials for a period of 12 months with parts and labor, except the products in the following table, from date of retail purchase, by the original end-use purchaser ("you") when delivered to you in new condition, in original packaging, from a Furrion authorized reseller or dealer and used in normal conditions. If a valid claim is made under warranty, then you will only be entitled to claim in accordance with paragraph 6 below.

Product Type	Warranty Period
Air Conditioning	24 months
Gas Water Heater	24 months
Solar	24 months
AC/DC Power Centers	24 months
Cordsets & Adapters, Power Inlets (RV, and Marine)	60 months

2. The warranty only applies to Furrion products: with a valid serial number; used for consumer, private use and not for commercial or industrial use; and where you have validated the warranty in accordance with paragraph 4 below.
3. The warranty does not cover damage or loss: caused by poor, faulty or incorrect use, installation or maintenance; caused by accident (including force majeure or natural forces), misuse, negligence, abrasion, improper storage following delivery, rot and/or infestation following delivery, leaks (or similar incidents); occurring during shipment (even when Furrion arranged or paid for shipping); caused by failure to follow instructions in the owner's guide, damaged; caused by normal wear and tear; caused by maintenance, repairs or modifications other than those carried out by an authorized dealer; caused to the decorative surface of the product; caused to any data, software or information. This warranty also excludes claims based on any misrepresentations by the seller; or if this product's serial number has been altered, defaced, removed or rendered unidentifiable. This warranty is only valid in the country of purchase. Please see section 14 for specific product details.
4. To validate the warranty, you must: (a) complete the registration via www.furrion.com, or by call center; and (b) register the warranty covering this product within 6 months of the date of the bill of sale; and (c) **have the original bill of sale to validate warranty of this product.**

5. If you require warranty service on this product, please cease using the product when a fault arises and contact us directly. **You will have to present your original bill of sale to establish warranty coverage.** Furrion's customer service can be reached at:

(i) **For USA/Canada customers:**

www.furrion.com

Recreational Vehicle products

Email: support@furrion.com

Toll-free Number: +1 800 789 3341

Non-Recreational Vehicle products

Toll-free Number: +1 877 853 1900

6. Following the filing of a claim, Furrion will investigate the claim. If we believe there is a defect covered by the warranty, we will at our option either repair or replace the defective product (or part). It is Furrion's right to replace with new or refurbished product. If the product is part of an advanced exchange program, you may be required to provide a credit authorization during the claiming process.
7. Please note in the event that no defect can be found, it is your responsibility to pay for the re-delivery of the replacement items. If a defect is found, Furrion will pay for the re-delivery of the replacement items.
8. Installation of any repaired or replaced product will not be Furrion's responsibility.
9. If you do not allow the authorized dealer to inspect the product which is the subject of the warranty claim, you will invalidate the warranty in respect of that claim.
10. Any repaired or replaced Furrion product parts shall be guaranteed on the terms of this warranty for the unexpired portion of the warranty period only.
11. This warranty is non-transferrable and is personal to the original end-use purchaser as shown on the original dated bill of sale. Any attempt to transfer this warranty shall immediately render it void.
12. This warranty is subject to the jurisdiction of the courts of the State where you purchased this product, and any dispute or claim arising out of, or in connection with it or its subject matter, shall be governed by, and construed in accordance with the laws of that State.
13. In the event of any difference between this warranty and the provisions in any owner's manuals, warranty leaflets, or packaging cartons, the terms of this warranty shall prevail to the fullest extent allowed by law.
14. THIS WARRANTY AND REMEDIES SET FORTH ABOVE ARE EXCLUSIVE AND IN LIEU OF ALL OTHER WARRANTIES, REMEDIES AND CONDITIONS, WHETHER ORAL OR WRITTEN, EXPRESS OR IMPLIED. FURRIION SPECIFICALLY DISCLAIMS ANY AND ALL IMPLIED WARRANTIES, INCLUDING, WITHOUT LIMITATION, WARRANTIES OF MERCHANTABILITY AND FITNESS FOR A PARTICULAR PURPOSE. IF FURRIION CANNOT LAWFULLY DISCLAIM IMPLIED WARRANTIES UNDER THIS LIMITED WARRANTY, ALL SUCH WARRANTIES, INCLUDING WARRANTIES OF MERCHANTABILITY AND FITNESS FOR A PARTICULAR PURPOSE ARE LIMITED IN DURATION TO THE DURATION OF THIS WARRANTY. NO FURRIION RESELLER, AGENT, OR EMPLOYEE IS AUTHORIZED TO MAKE ANY MODIFICATION, EXTENSION, OR ADDITION TO THIS WARRANTY. FURRIION IS NOT RESPONSIBLE FOR DIRECT, INDIRECT, SPECIAL, INCIDENTAL OR CONSEQUENTIAL DAMAGES RESULTING FROM ANY BREACH OF WARRANTY

OR CONDITION, OR UNDER ANY OTHER LEGAL THEORY, INCLUDING BUT NOT LIMITED TO LOST PROFITS, DOWNTIME, GOODWILL, DAMAGE TO OR REPLACEMENT OF ANY EQUIPMENT OR PROPERTY, ANY COSTS OF RECOVERING, REPROGRAMMING, OR REPRODUCING ANY PROGRAM OR DATA STORED IN OR USED WITH FURRIION PRODUCTS. FURRIION'S TOTAL LIABILITY IS LIMITED TO THE REPAIR OR REPLACEMENT OF THIS PRODUCT PURSUANT TO THE TERMS OF THIS WARRANTY. SOME STATES DO NOT ALLOW THE EXCLUSION OR LIMITATION OF INCIDENTAL OR CONSEQUENTIAL DAMAGES OR EXCLUSIONS OR LIMITATIONS ON THE DURATION OF IMPLIED WARRANTIES OR CONDITIONS, SO THE ABOVE LIMITATIONS OR EXCLUSIONS MAY NOT APPLY TO YOU. THIS WARRANTY GIVES YOU SPECIFIC LEGAL RIGHTS, AND YOU MAY ALSO HAVE OTHER RIGHTS THAT VARY BY STATE OR (WHERE APPLICABLE IN THE COUNTRIES WHERE FURRIION HAS NON-US/CANADIAN AUTHORIZED DEALERS) COUNTRY. NO ACTION OR CLAIM TO ENFORCE THIS WARRANTY SHALL BE COMMENCED AFTER THE EXPIRATION OF THE WARRANTY PERIOD.

FR

Félicitations pour l'achat de votre nouveau produit Furrion. Tous les produits Furrion sont fabriqués selon des normes de qualité rigoureuses. S'il est employé correctement dans le cadre de l'usage auquel il est destiné, votre produit devrait vous offrir de nombreuses années de service. Les dispositions défectueuses de la présente garantie sont énoncées dans les Conditions générales (voir au verso) qui complètent les Conditions générales de vente du revendeur ou du distributeur agréé. Cette garantie s'ajoute à tout autre droit que vous confère la législation du pays dans lequel vous avez acheté ce produit. Veuillez consulter www.furrion.com

CONDITIONS GÉNÉRALES DE LA GARANTIE LIMITÉE

1. Furrion garantit un produit exempt de tout défaut dans la fabrication et dans les matériaux employés pour une période de 12 mois comprenant les pièces et la main d'œuvre, à l'exception des produits mentionnés dans le tableau suivant, à compter de la date d'achat au détail par l'acquéreur et utilisateur initial (« vous »), lorsqu'il vous est remis neuf et dans son emballage d'origine par un revendeur ou un distributeur agréé par Furrion et s'il est utilisé dans des conditions normales. Si une réclamation fondée est formulée au titre de la garantie, vous n'aurez de droits que ceux énoncés dans le paragraphe 6 ci-après.

Type de produit	Période de garantie
Climatisation	24 mois
Chauffe-eau au gaz	24 mois
Solaire	24 mois
Centrales d'alimentation CA/CC	24 mois
Câbles et adaptateurs, arrivées d'alimentation (pour véhicules récréatifs ou maritimes)	60 mois

